



US00D970233S

(12) **United States Design Patent** (10) **Patent No.:** **US D970,233 S**
Schumacher et al. (45) **Date of Patent:** **** Nov. 22, 2022**

(54) **BOARD FRAME**
(71) Applicant: **Laughable Toys, LLC**, Snowmass, CO (US)
(72) Inventors: **Michael Schumacher**, Snowmass, CO (US); **Dominic Lovely**, Denver, CO (US)
(73) Assignee: **LAUGHABLE TOYS, LLC**, Snowmass, CO (US)

D569,630 S 5/2008 Bradford
D572,766 S 7/2008 Smyser
D603,171 S 11/2009 Chang
D696,031 S 12/2013 Pitts
D771,615 S 11/2016 Pignotti
D787,202 S 5/2017 Martin
D806,399 S 1/2018 Rogers
D811,753 S 3/2018 Conrad
D872,177 S 1/2020 Luo
D893,891 S 8/2020 Lin
D895,985 S * 9/2020 Shi D19/91
D909,771 S * 2/2021 Schumacher D6/311
D926,257 S * 7/2021 Schumacher D21/336

(**) Term: **15 Years**
(21) Appl. No.: **29/769,879**
(22) Filed: **Feb. 8, 2021**

* cited by examiner
Primary Examiner — Deanna L Pratt
(74) *Attorney, Agent, or Firm* — Polsinelli PC

Related U.S. Application Data

(63) Continuation of application No. 29/667,920, filed on Oct. 25, 2018, now Pat. No. Des. 909,771.
(51) **LOC (13) Cl.** **06-06**
(52) **U.S. Cl.**
USPC **D6/311**
(58) **Field of Classification Search**
USPC D6/300-314; D21/334, 335, 337
CPC A47B 23/004; A47B 97/04; A47G 1/14; A47G 1/141
See application file for complete search history.

(57) **CLAIM**

The ornamental design for a board frame, as shown and described.

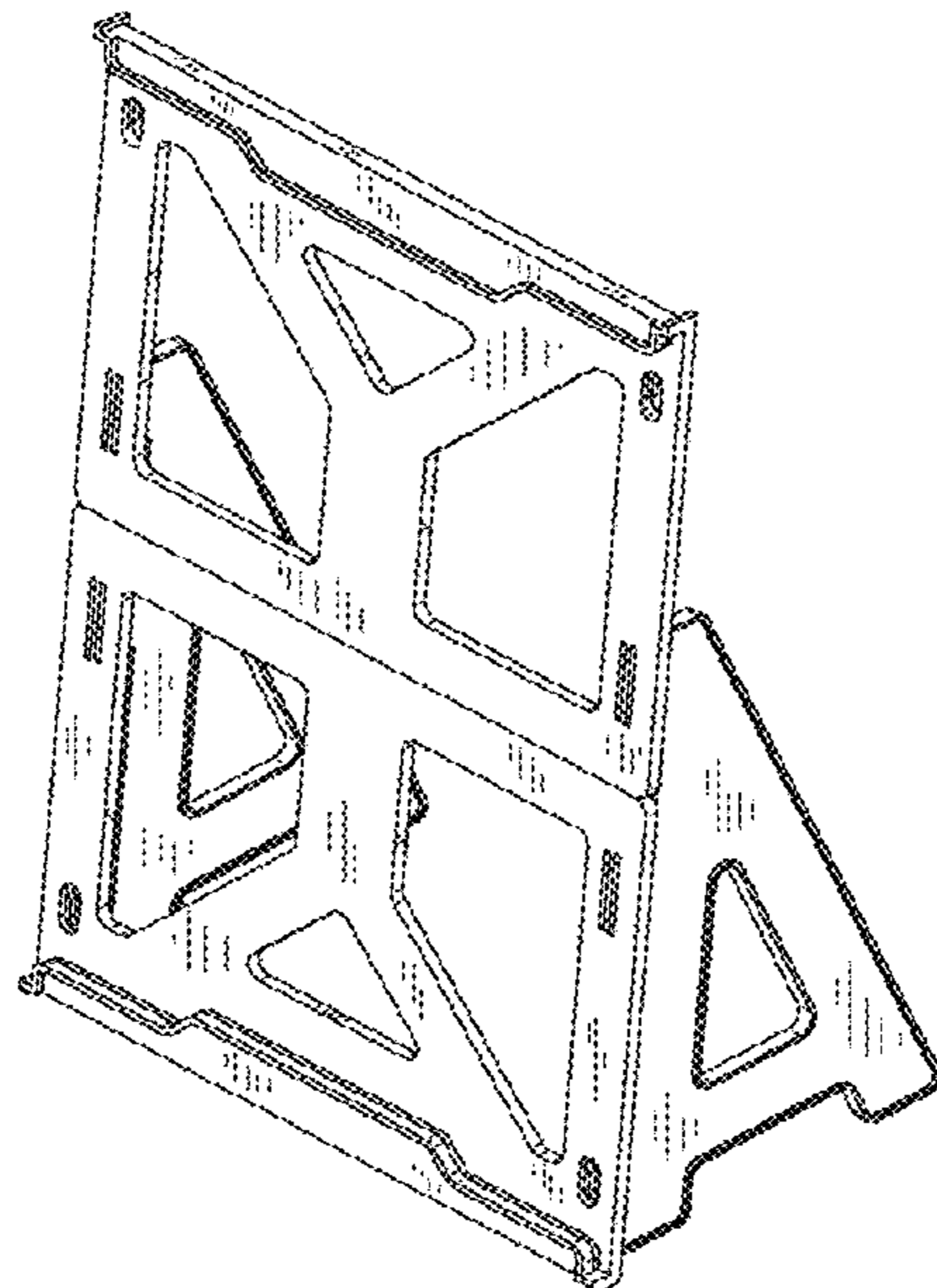
DESCRIPTION

FIG. 1 is an isometric view of a board frame holding a board showing our new design.
FIG. 2 is a back perspective view of the board frame holding the board.
FIG. 3 is an isometric view of the board frame.
FIG. 4 is a back perspective view thereof.
FIG. 5 is a front view thereof.
FIG. 6 is a back view thereof.
FIG. 7 is a side view thereof.
FIG. 8 is a top view thereof; and,
FIG. 9 is a bottom view thereof.
The broken lines shown in the Figures are environment only and show portions of the board frame that form no part of the claimed design.
The shade lines in the Figures show contour and do not claim surface ornamentation or treatment.

(56) **References Cited**
U.S. PATENT DOCUMENTS

3,897,037 A * 7/1975 Johnson A47B 23/042 248/452
D241,299 S * 9/1976 Ohls D6/301
D281,551 S 12/1985 Wallace
D366,568 S 1/1996 Pangano
D491,374 S * 6/2004 Bradford G09F 1/12 D6/310

1 Claim, 9 Drawing Sheets



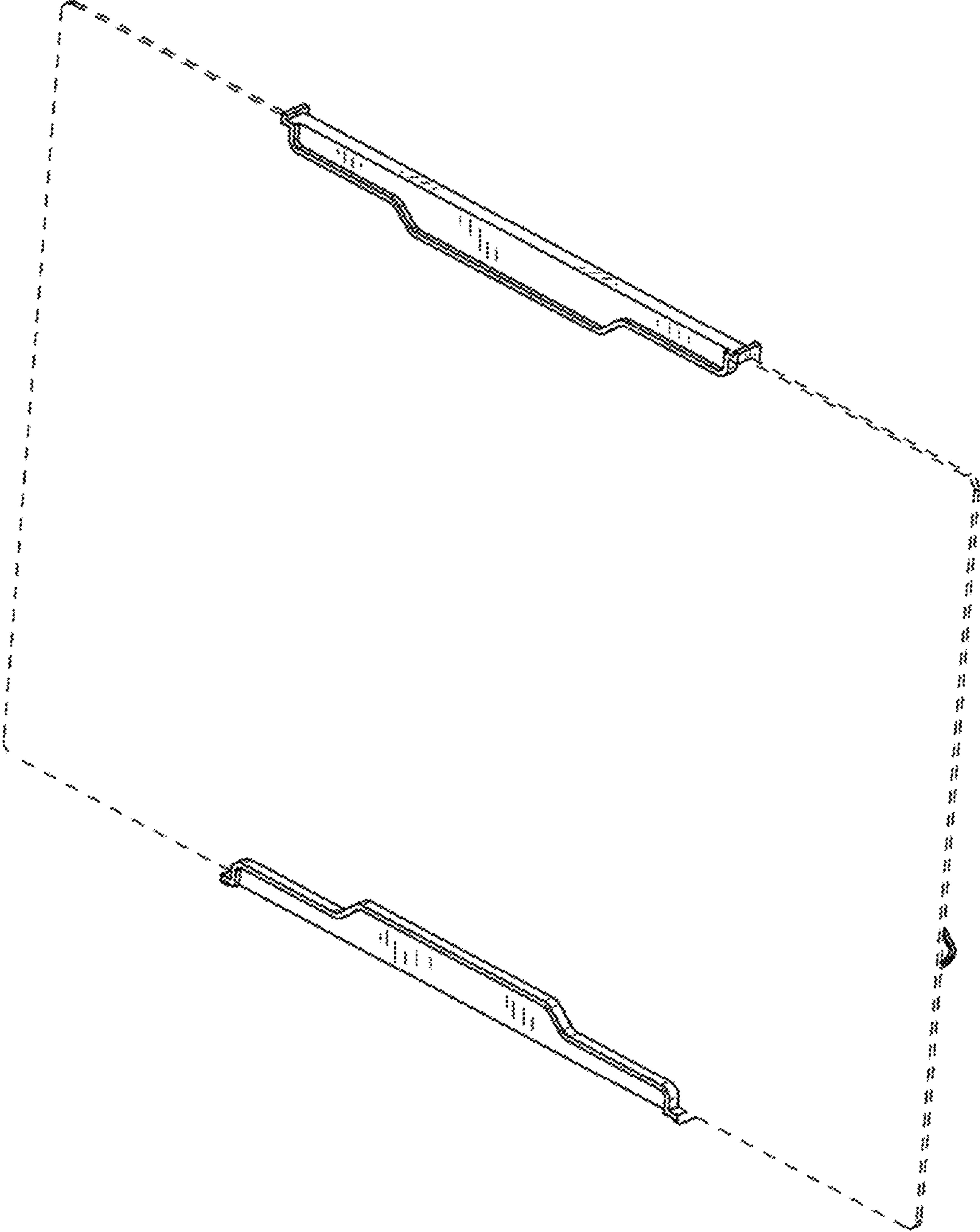


FIG.1

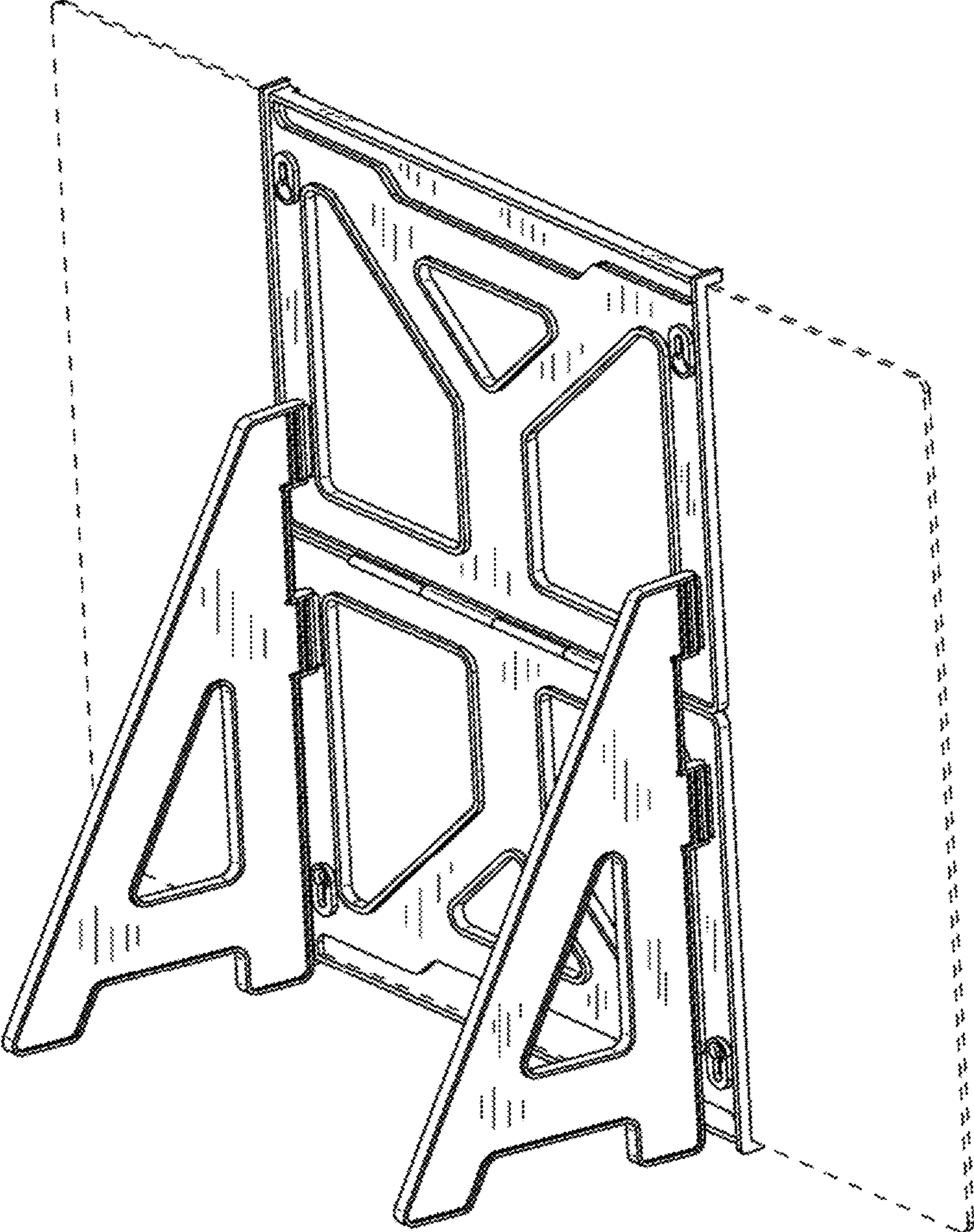


FIG.2

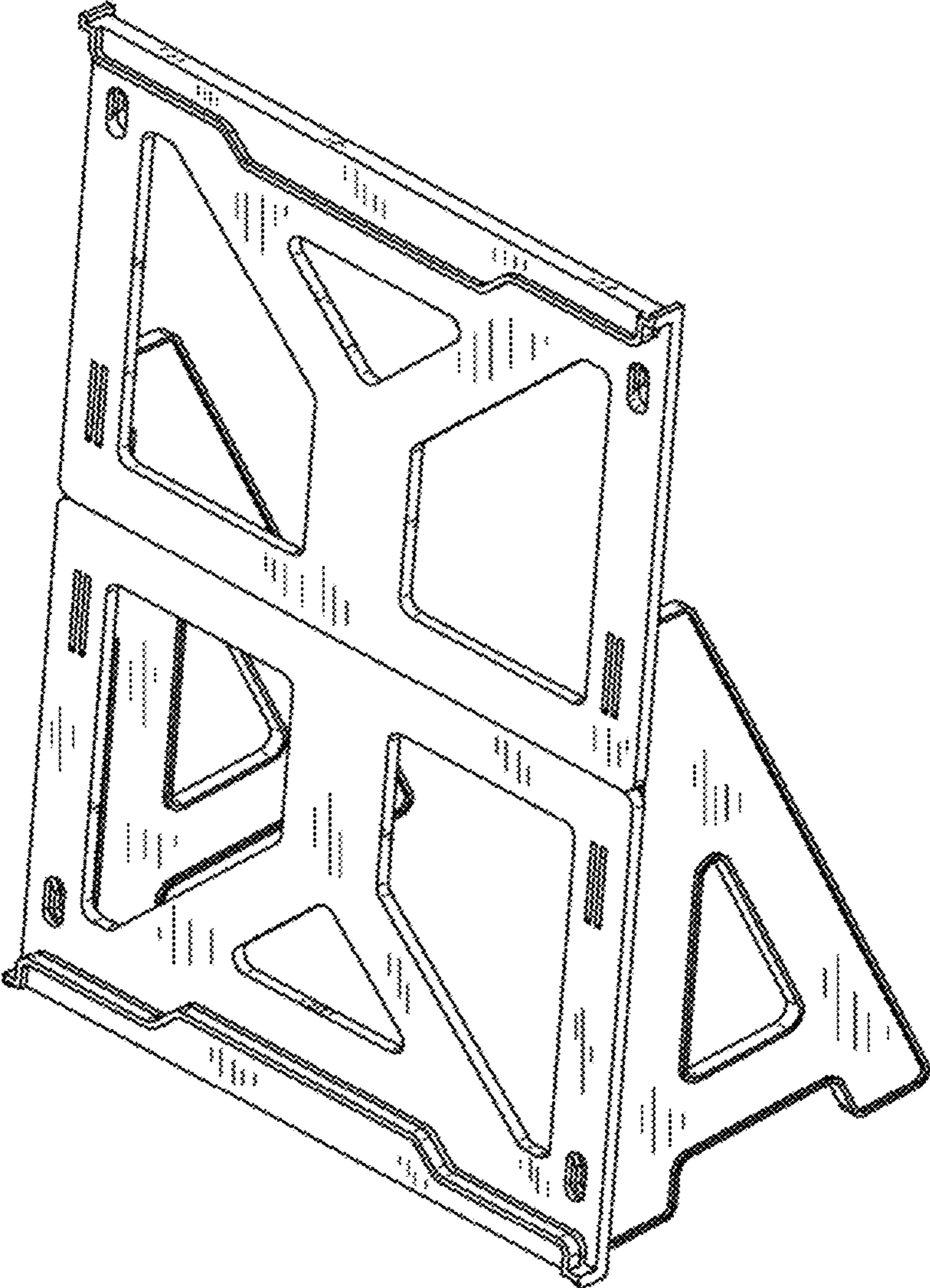


FIG.3

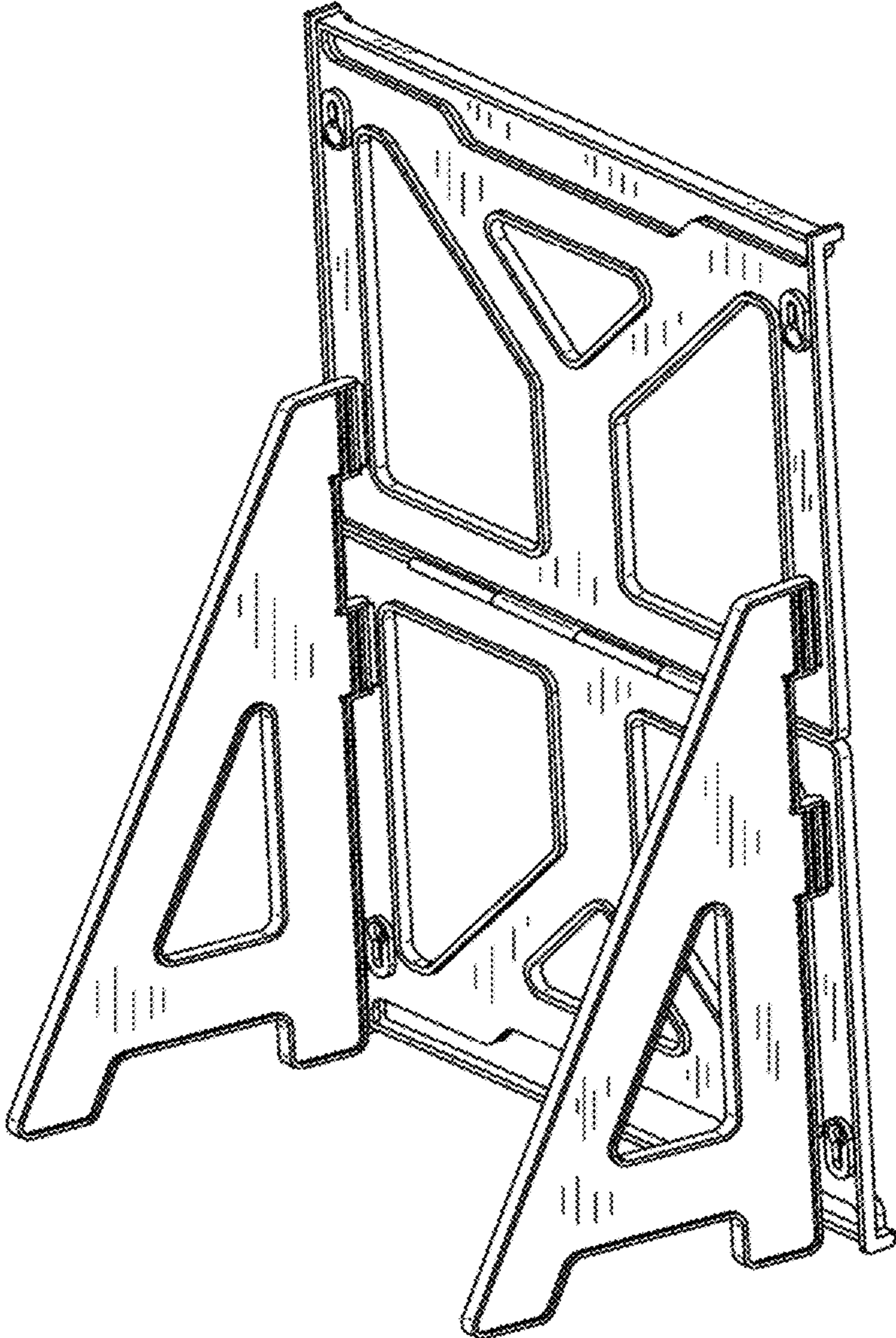


FIG.4

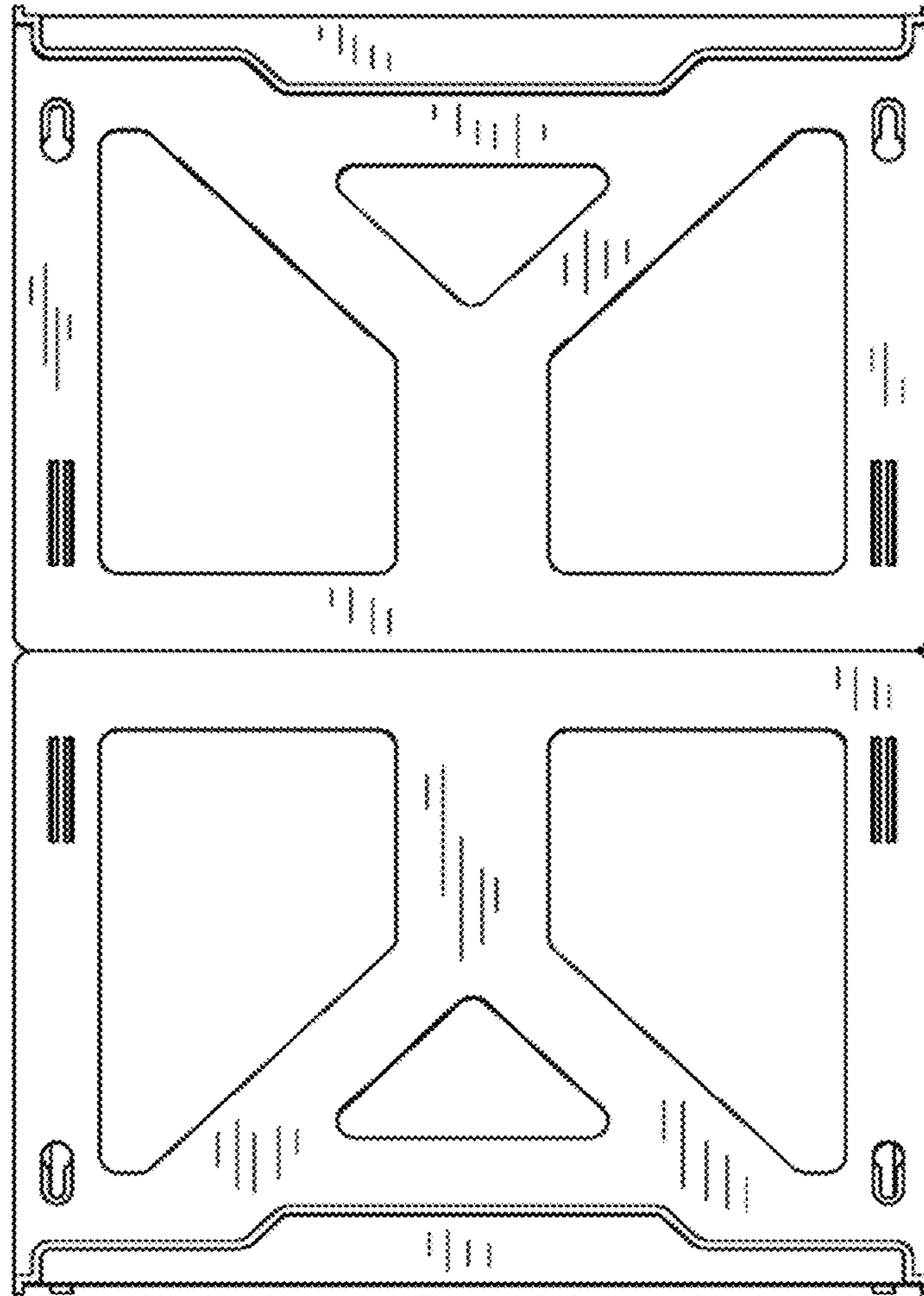


FIG.5

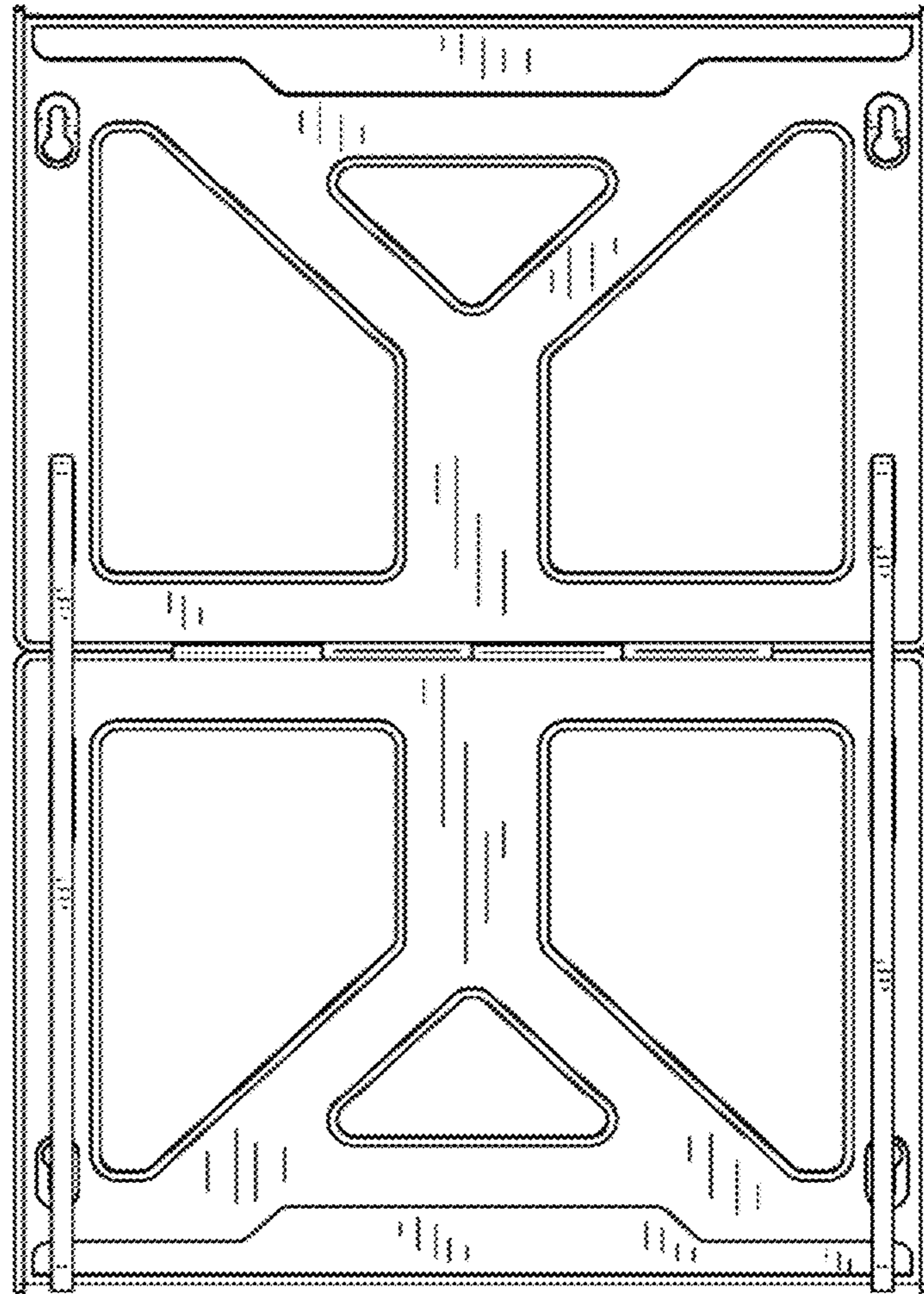


FIG.6

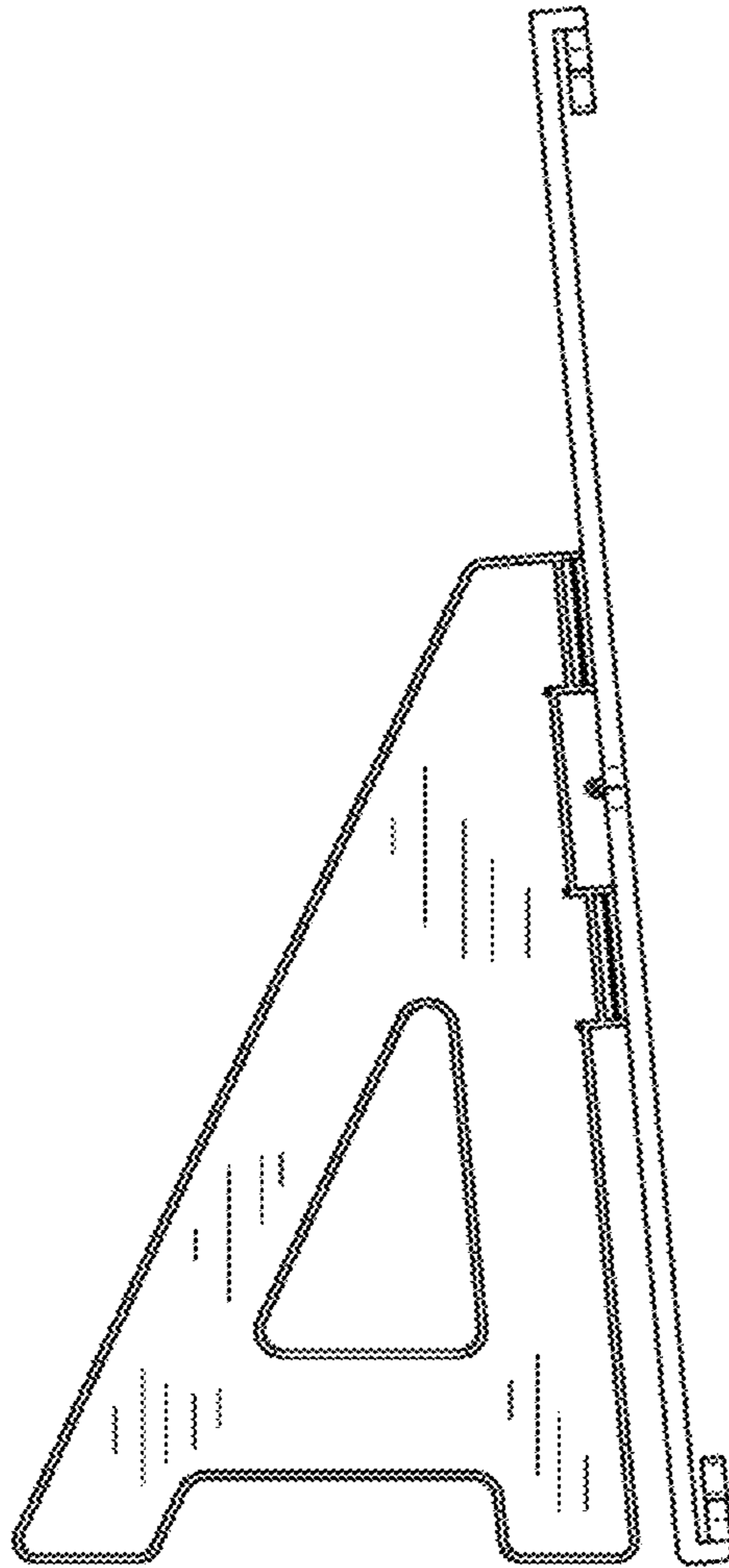


FIG.7

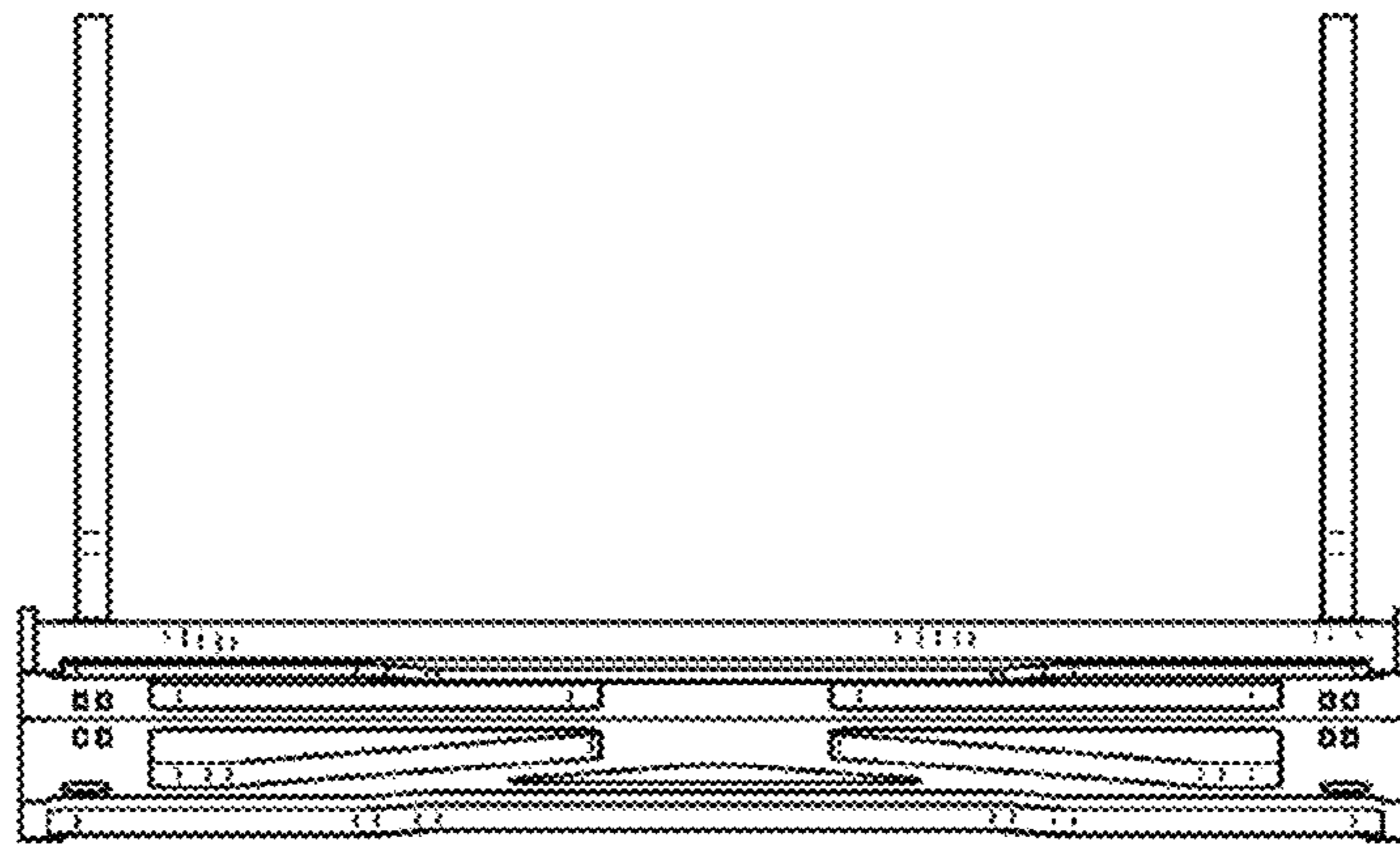


FIG.8

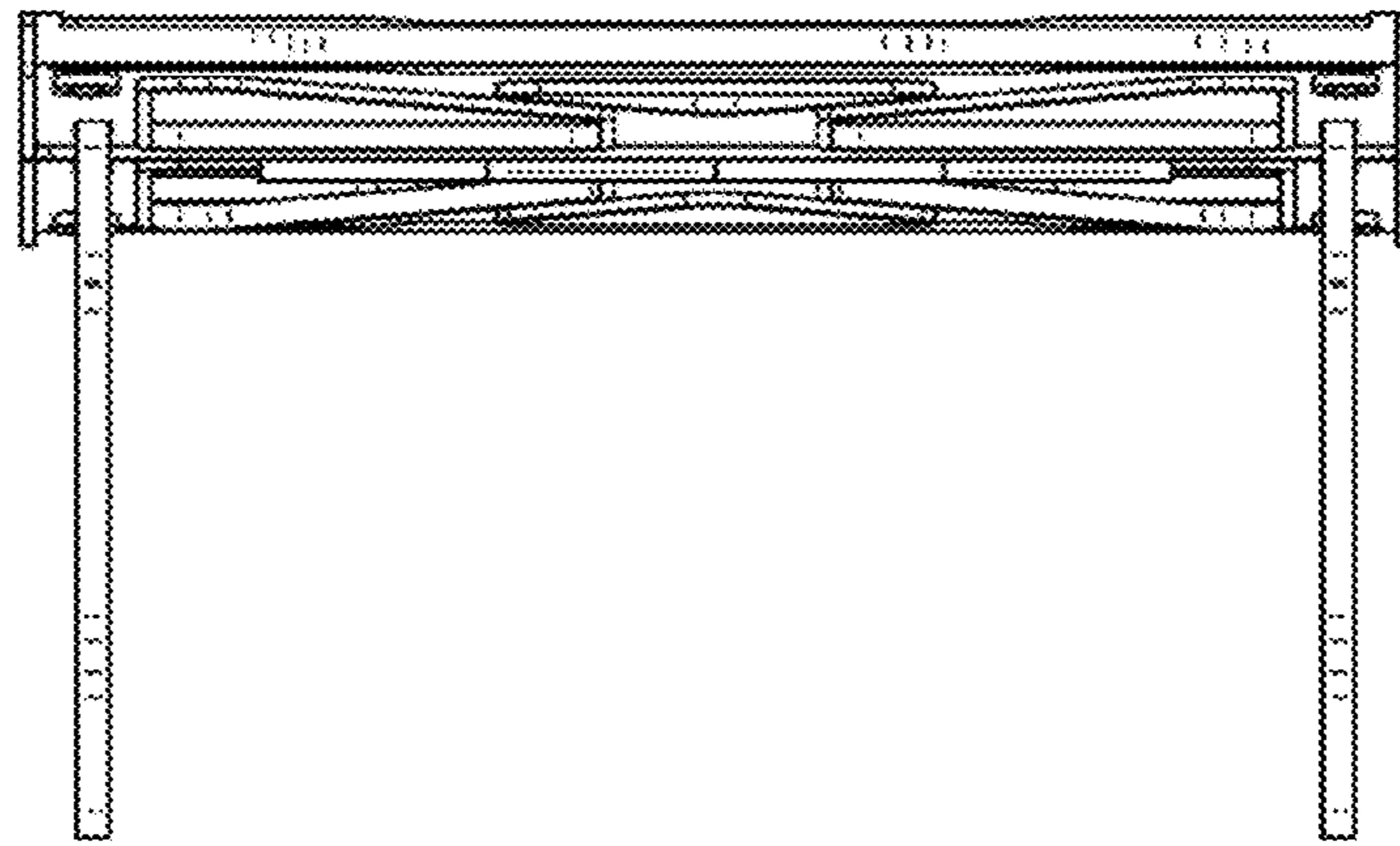


FIG.9