



US00D970232S

(12) **United States Design Patent**  
**Yang et al.**

(10) **Patent No.:** **US D970,232 S**  
(45) **Date of Patent:** **\*\* Nov. 22, 2022**

- (54) **MAKEUP MIRROR**
- (71) Applicant: **DONGGUAN POWERME PLASTIC MFG. CO., LTD.**, Dongguan (CN)
- (72) Inventors: **Guoxiang Yang**, Dongguan (CN);  
**Guowei Yang**, Dongguan (CN)
- (73) Assignee: **DONGGUAN POWERME PLASTIC MFG. CO., LTD.**, Dongguan (CN)
- (\*\*) Term: **15 Years**
- (21) Appl. No.: **29/816,852**
- (22) Filed: **Nov. 25, 2021**
- (51) **LOC (13) Cl.** ..... **06-07**
- (52) **U.S. Cl.**  
USPC ..... **D6/310**
- (58) **Field of Classification Search**  
USPC ..... D6/300–314  
CPC .. A47G 1/00; A47G 2001/002; F21V 33/004;  
A45D 42/10  
See application file for complete search history.

(56) **References Cited**

**U.S. PATENT DOCUMENTS**

D444,634 S *	7/2001	Dodson	.....	D6/312
D661,910 S *	6/2012	Yang	.....	D6/312
D812,384 S	3/2018	Zhu		
D874,836 S *	2/2020	Li	.....	D6/312

D880,171 S	4/2020	Yang		
D905,443 S *	12/2020	Yang	.....	D6/310
D905,445 S *	12/2020	Yang	.....	D6/310
D925,238 S *	7/2021	Yang	.....	D6/312
D925,239 S *	7/2021	Cai	.....	D6/312
D935,199 S *	11/2021	Wang	.....	D6/309

\* cited by examiner

*Primary Examiner* — Deanna L Pratt

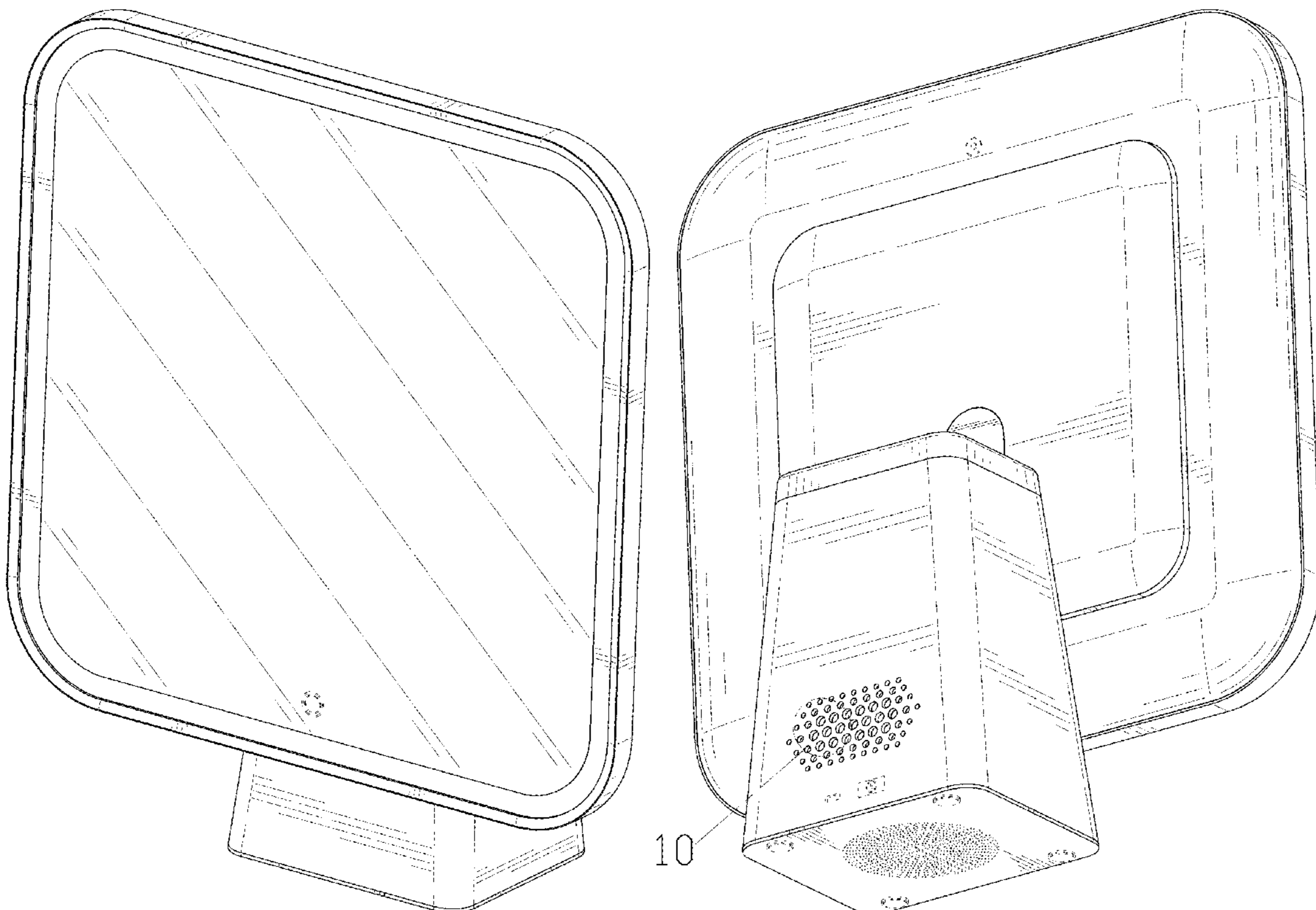
(57) **CLAIM**

The ornamental design for a makeup mirror, as shown and described.

**DESCRIPTION**

FIG. 1 is a perspective view of a makeup mirror showing my new design;  
 FIG. 2 is another perspective view thereof;  
 FIG. 3 is a front elevational view thereof;  
 FIG. 4 is a rear elevational view thereof;  
 FIG. 5 is a left side elevational view thereof;  
 FIG. 6 is a right side elevational view thereof;  
 FIG. 7 is a top plan view thereof;  
 FIG. 8 is a bottom plan view thereof;  
 FIG. 9 is a perspective view of the makeup mirror where the makeup mirror is in a configuration of use; and,  
 FIG. 10 is an enlarged view of portion 10 shown in FIG. 2. The dash-dash broken lines in the drawings depict portions of the makeup mirror that form no part of the claimed design. The dot-dash broken lines represent the boundary of the enlarged portion and form no part of the claimed design.

**1 Claim, 10 Drawing Sheets**



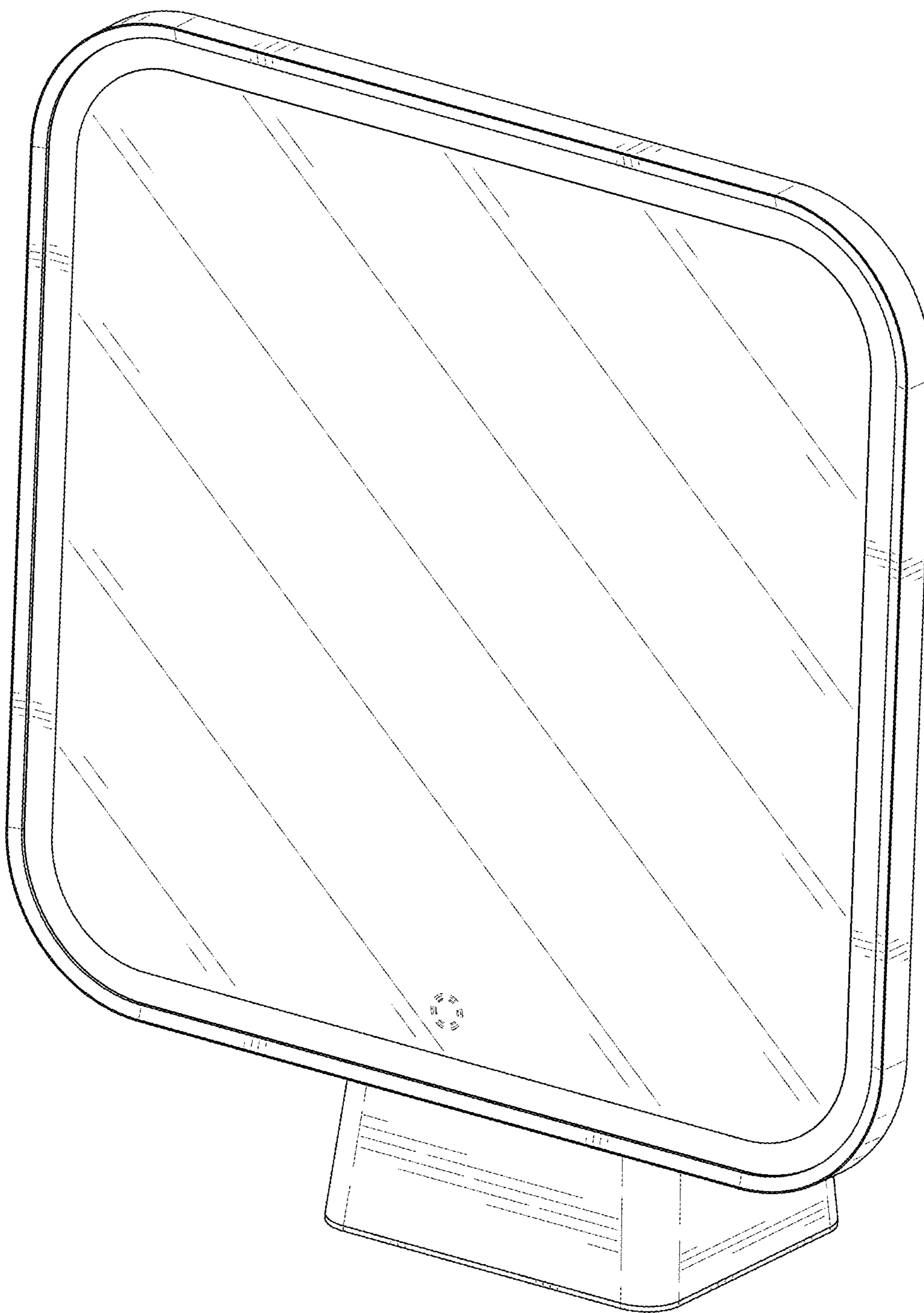


FIG. 1

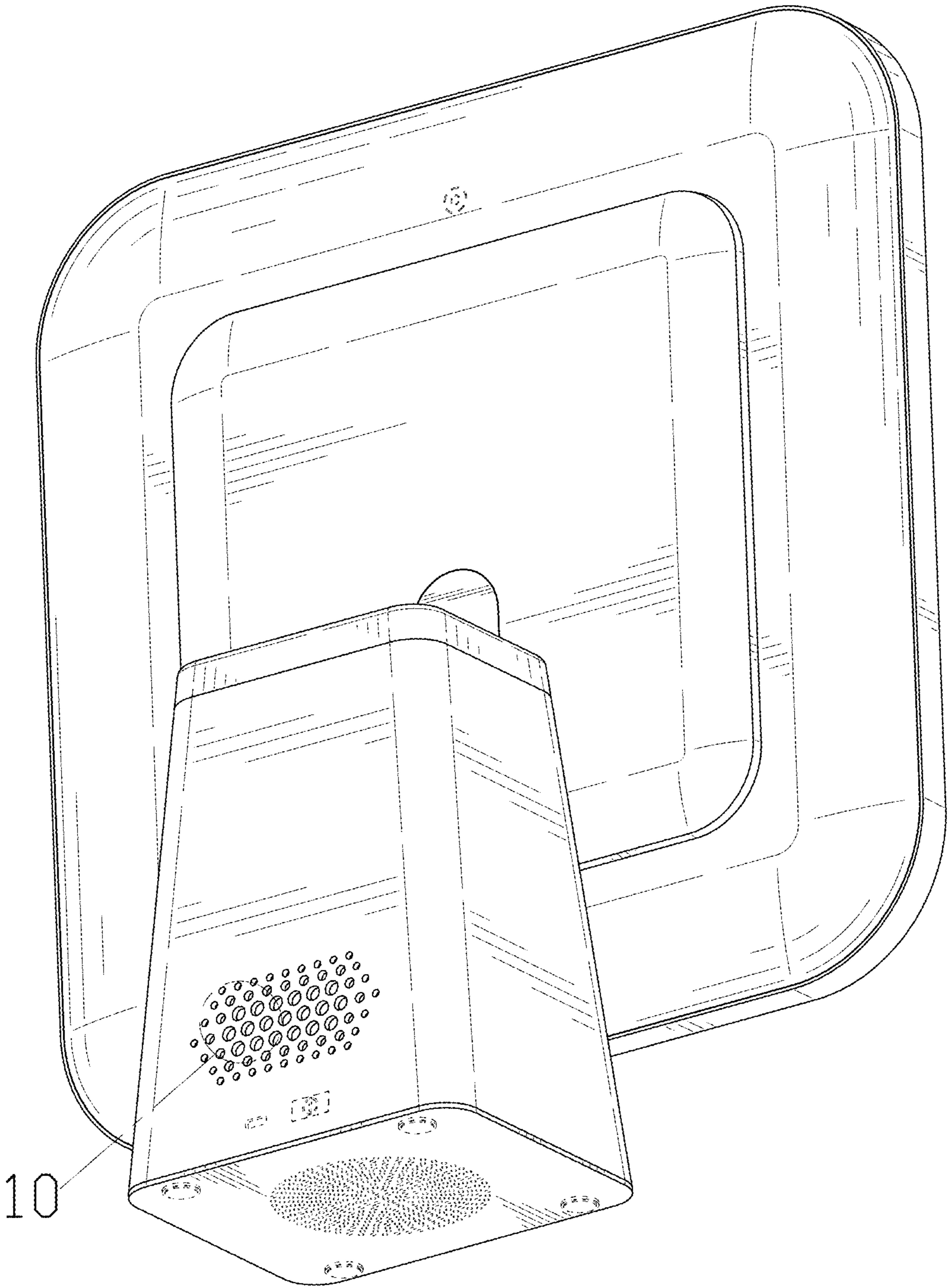


FIG. 2

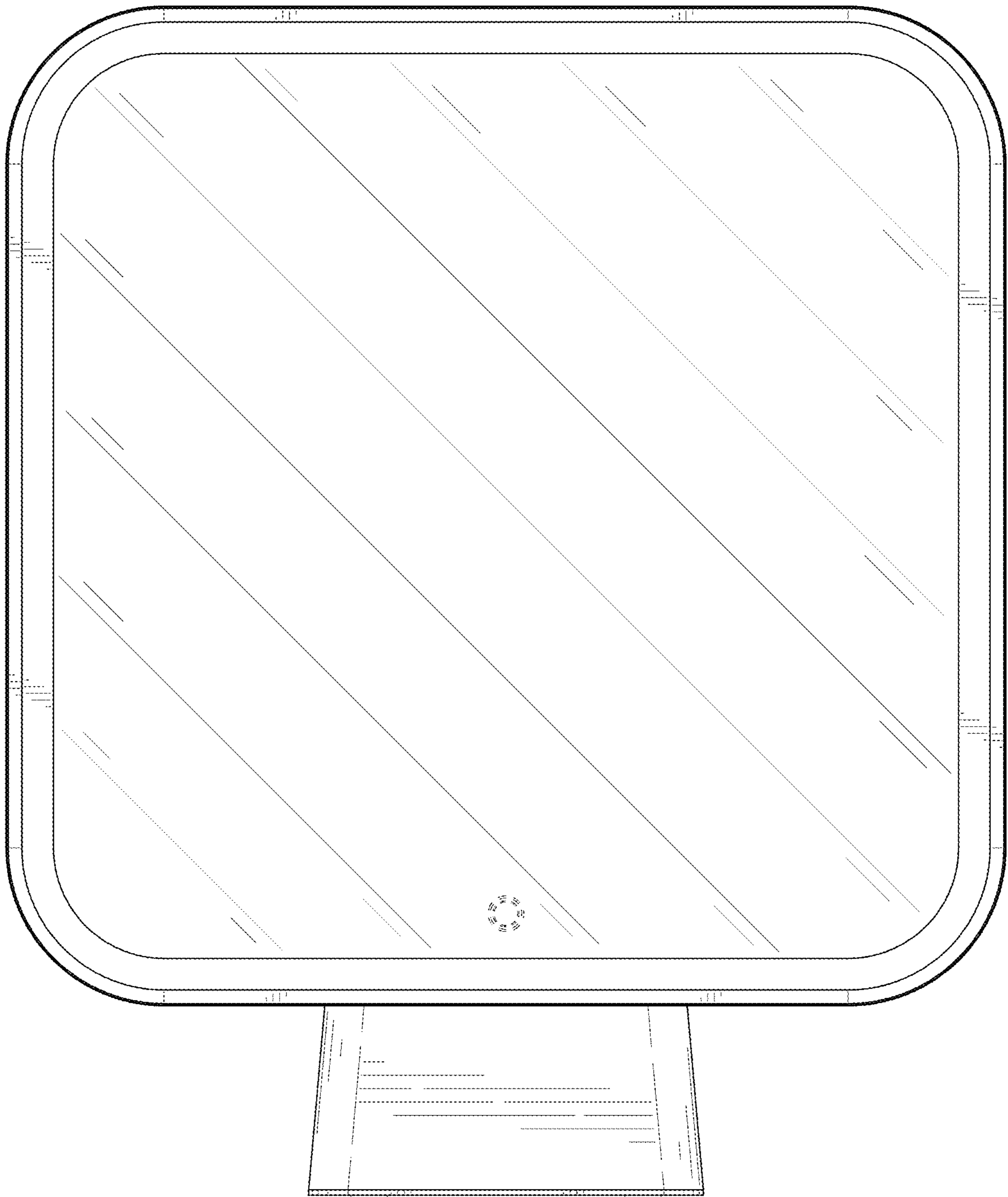


FIG. 3

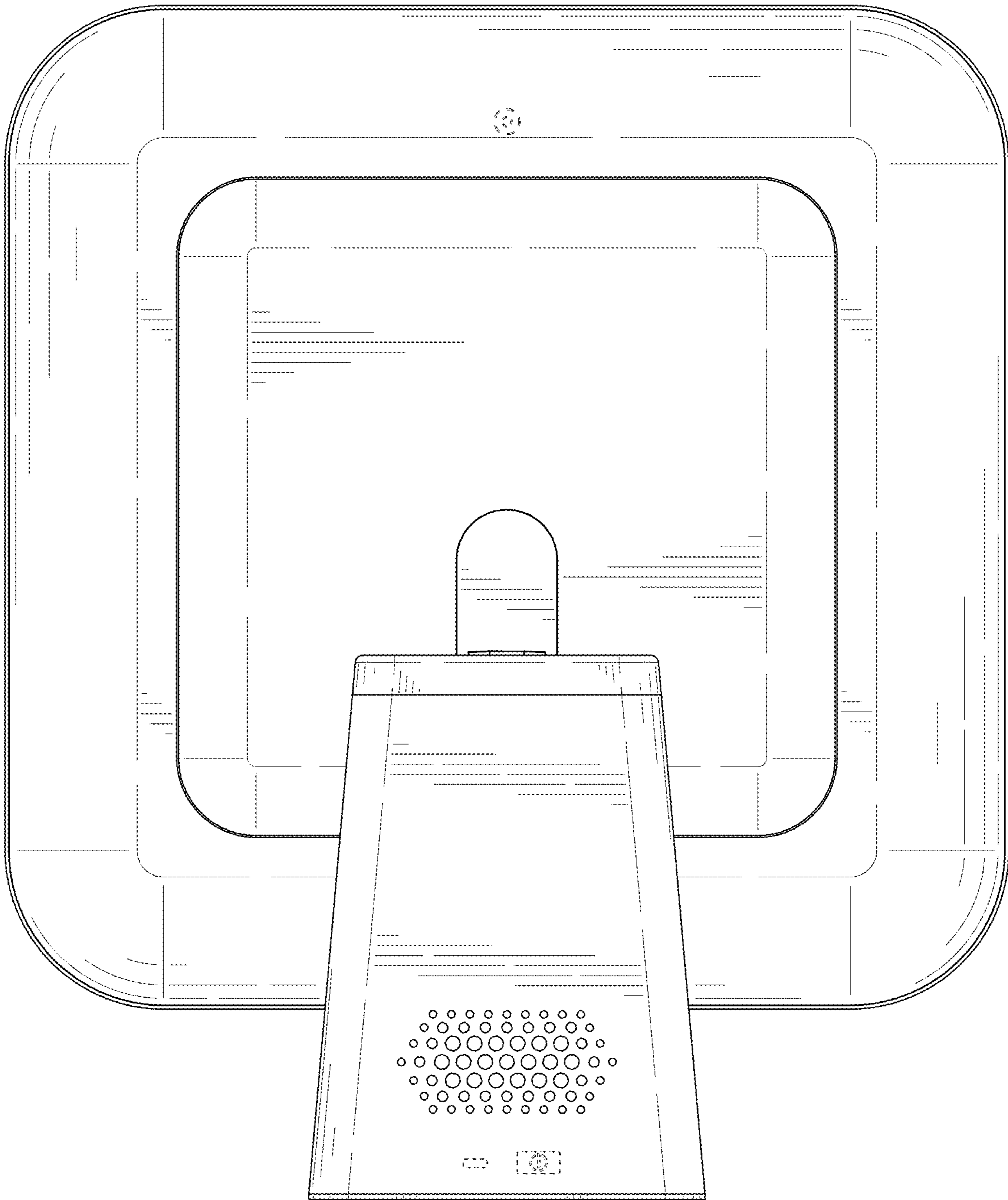


FIG. 4

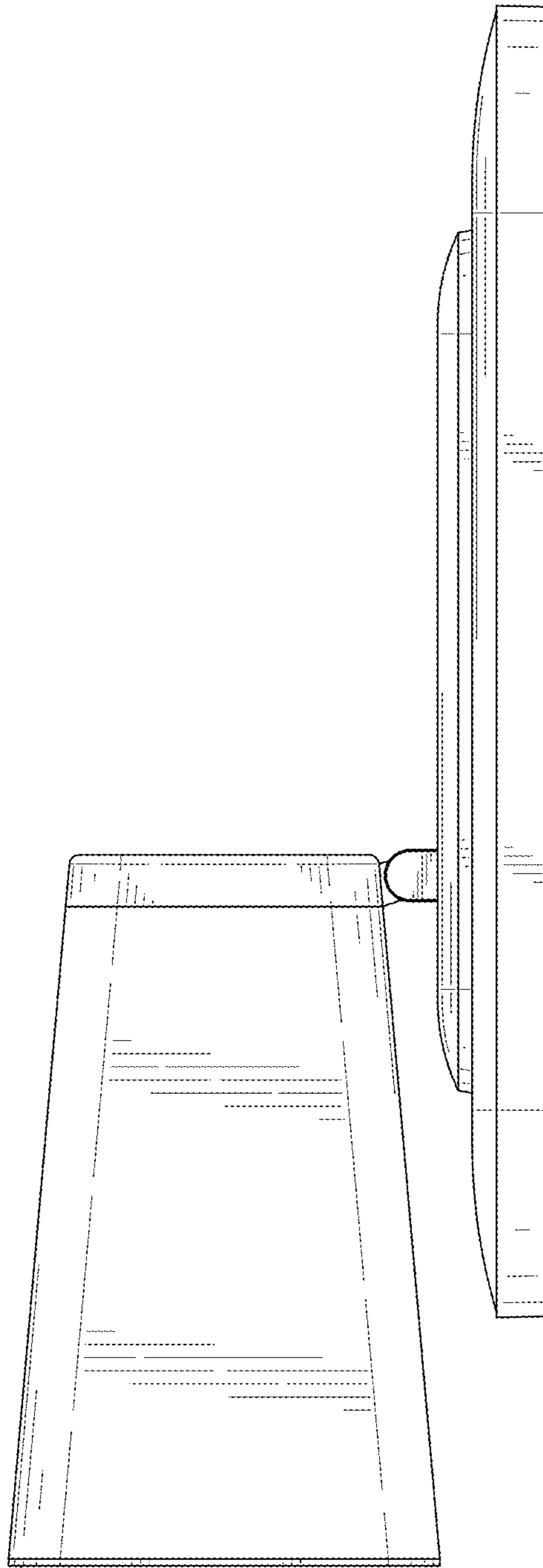


FIG. 5

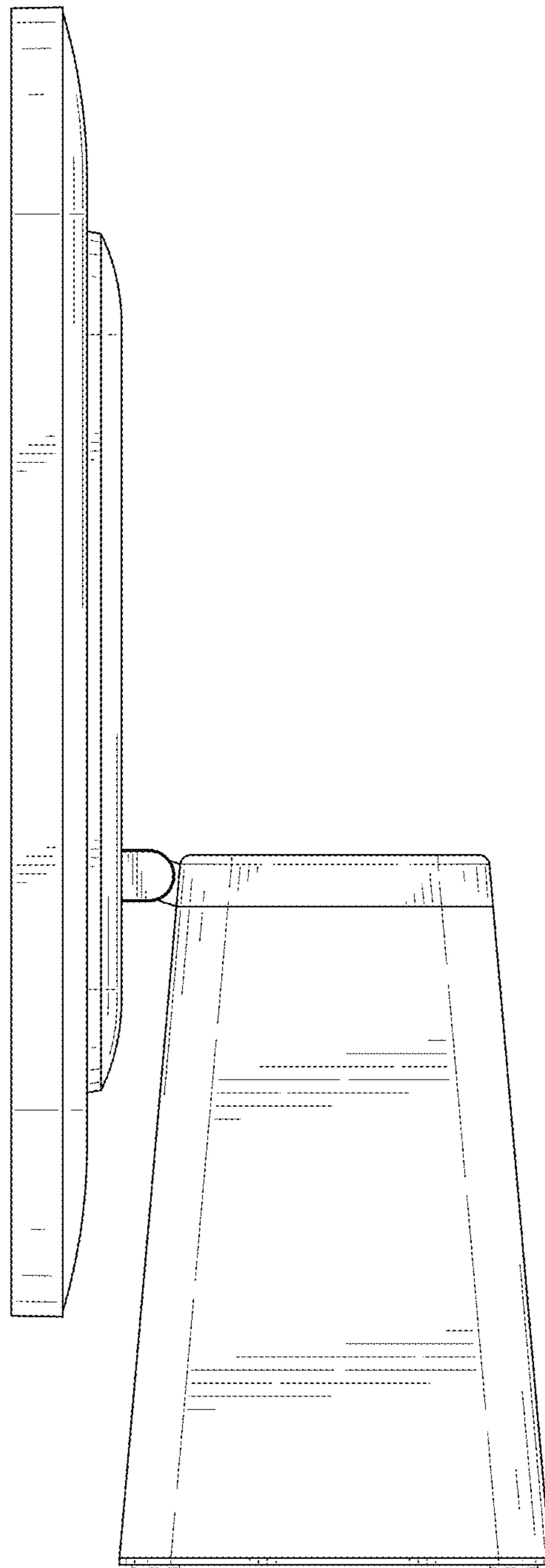


FIG. 6

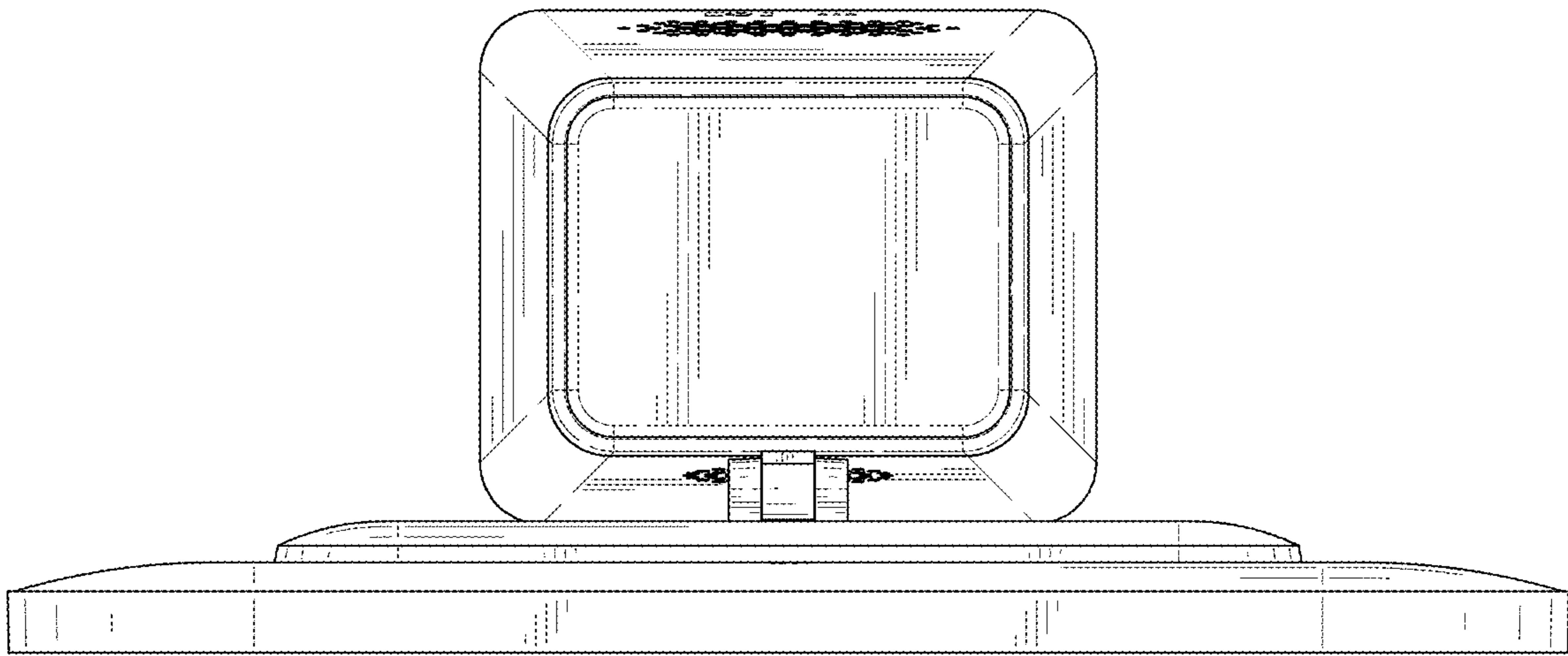


FIG. 7



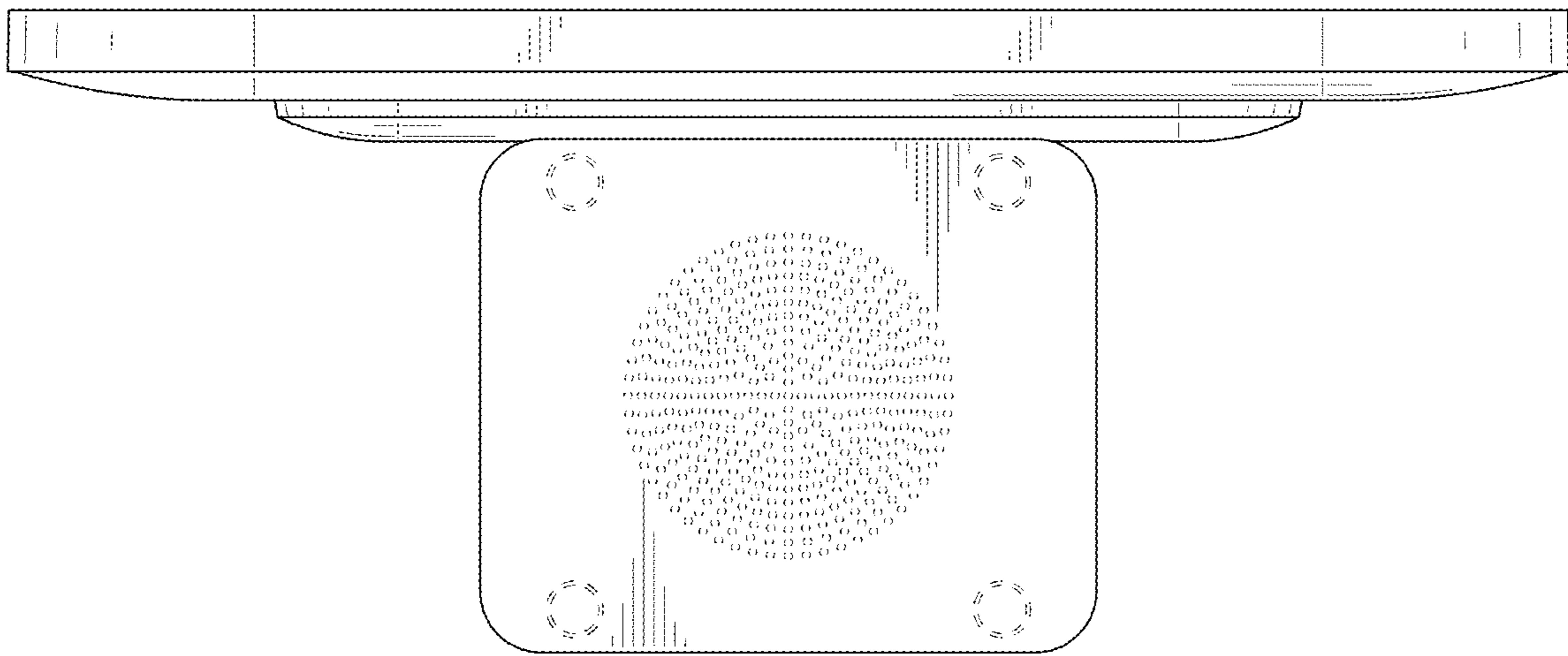


FIG. 8

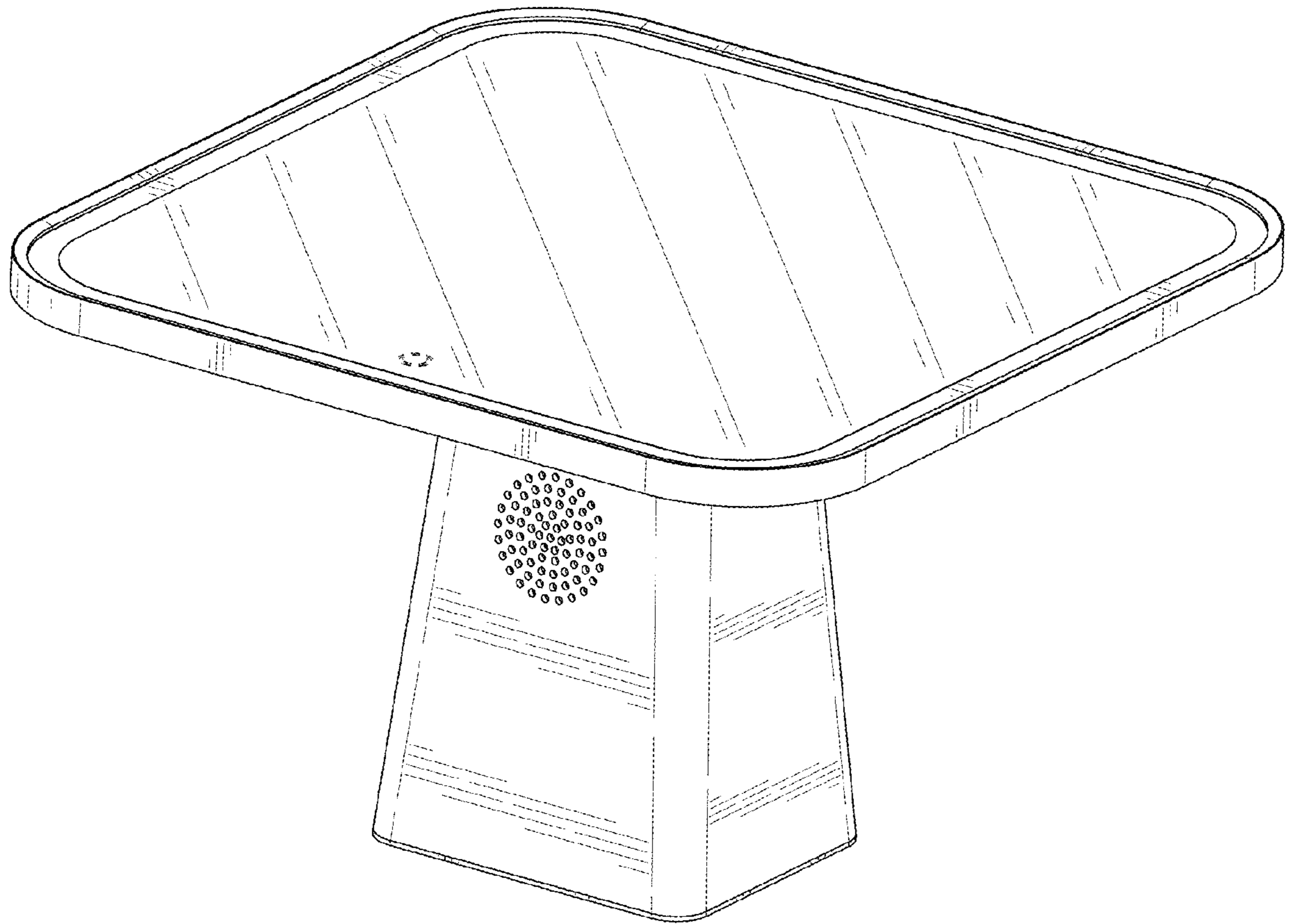


FIG. 9

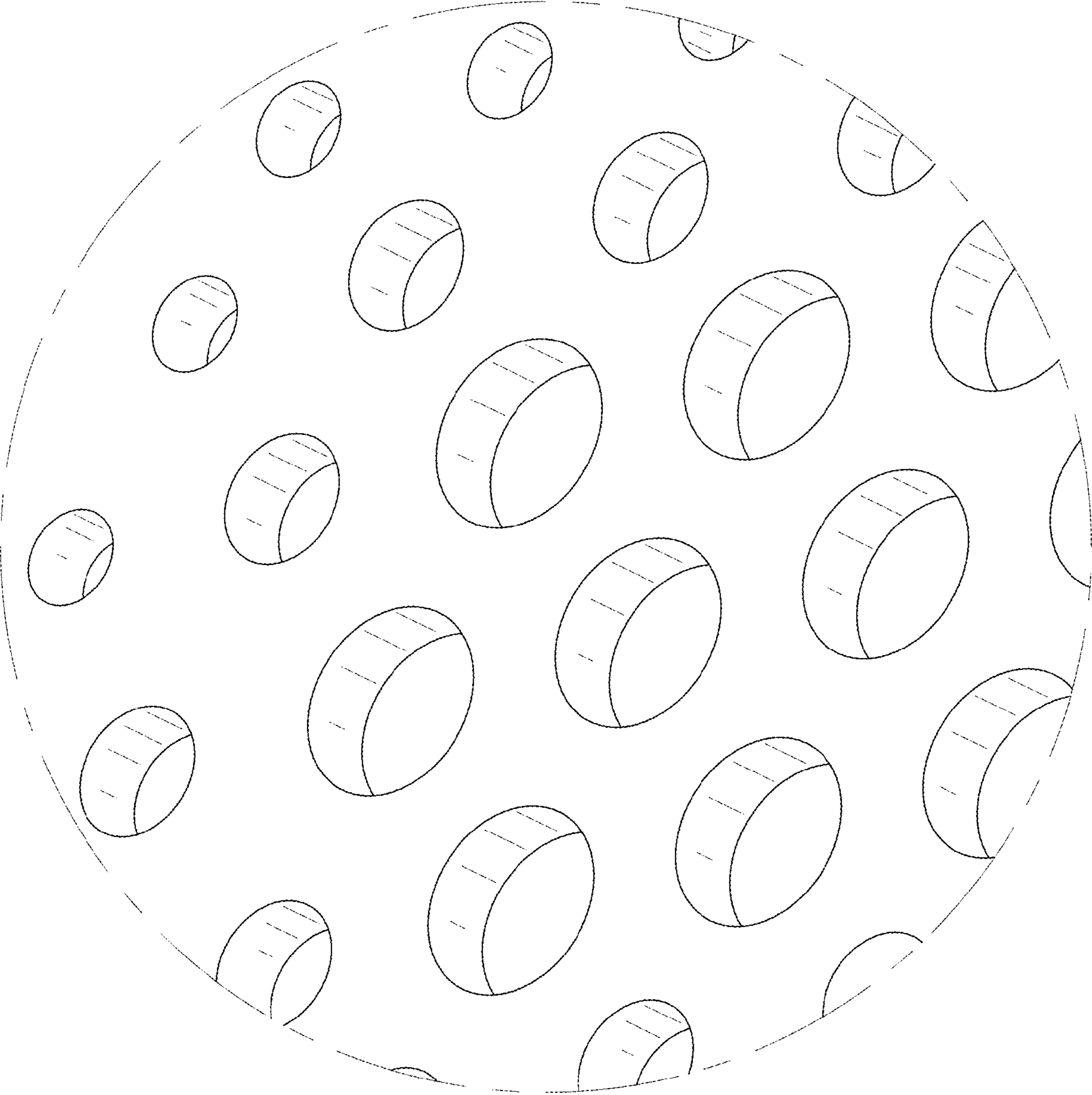


FIG. 10