



US00D970231S

(12) **United States Design Patent** (10) **Patent No.:** **US D970,231 S**  
**Guo** (45) **Date of Patent:** **\*\* Nov. 22, 2022**

(54) **MIRROR**

OTHER PUBLICATIONS

(71) Applicant: **Xizhen Guo**, Tianmen (CN)

(72) Inventor: **Xizhen Guo**, Tianmen (CN)

(\*) Notice: Patent file contains an affidavit/declaration under 37 CFR 1.130(b).

(\*\*) Term: **15 Years**

(21) Appl. No.: **29/794,264**

(22) Filed: **Jun. 11, 2021**

(51) **LOC (13) Cl.** ..... **06-06**

(52) **U.S. Cl.**  
USPC ..... **D6/310**

(58) **Field of Classification Search**  
USPC ..... D6/300–314  
CPC .. A47G 1/00; A47G 2001/002; F21V 33/004;  
A45D 42/10  
See application file for complete search history.

(56) **References Cited**

U.S. PATENT DOCUMENTS

|              |         |               |         |
|--------------|---------|---------------|---------|
| D531,822 S   | 11/2006 | Massaud       |         |
| D543,366 S * | 5/2007  | Weatherly     | D6/312  |
| D704,938 S * | 5/2014  | Mischel, Jr.  | D6/300  |
| D754,979 S   | 5/2016  | Starck        |         |
| D801,703 S * | 11/2017 | Robertson     | D6/300  |
| D807,648 S   | 1/2018  | Gilad         |         |
| D915,084 S * | 4/2021  | Choi          | D6/308  |
| D917,895 S * | 5/2021  | Xu            | D6/300  |
| D941,040 S * | 1/2022  | Fumiya        | D6/310  |
| D946,908 S * | 3/2022  | Xu            | D6/300  |
| D953,754 S * | 6/2022  | Asikainen     | D14/126 |
| D954,452 S * | 6/2022  | Sætter-Lassen | D6/300  |

“Vlsrka LED Full-Length Mirror, Floor Mirror with Lights, Wall Mounted Lighted Mirror, Free Standing Mirror, Dressing Body Mirror, 3 Color Lighting & Dimmable Brightness(63×16in, Silver)” product listing on Amazon.com. Listed as first available for sale on Jan. 8, 2021. Retrieved on Mar. 16, 2022 from [https://www.amazon.com/dp/B08SBLMVY5/ref=sspa\\_dk\\_detail\\_4?pd\\_rd\\_i=B08SBLMVY5&pd\\_rd\\_w=pd4cb&pf\\_rd\\_p=57cbdc41-b731-4e3d-aca7-49078b13a07b&pd\\_rd\\_wg=G0Vf1&pf\\_rd\\_r=Z7D70GEF2HDN12VEB1CM&pd\\_rd\\_r=fad1ba80-d46a-4eaf-8c20-9096289b607d&s=kitchen&spLa=ZW5jcnlwdGVkUXVhbGlmaWVyPUFaQjIQNFVNNTNOU1QmZW5jcnlwdGVkSWQ9QTA2ODI0MzFWQ0JUW1dFUKJNS1MmZW5jcnlwdGVkQWRJZD1BMDc4NDYxMTI5VzVJVfYskZZMU8md2lkZ2V0TmFtZT1zcF9kZXRhaWxfidGhlfWF0aWMMYWN0aW9uPWNsaWNrUmVkaXJlY3QmZG9Ob3Rmb2dDbGljaz10cnVI&th=1](https://www.amazon.com/dp/B08SBLMVY5/ref=sspa_dk_detail_4?pd_rd_i=B08SBLMVY5&pd_rd_w=pd4cb&pf_rd_p=57cbdc41-b731-4e3d-aca7-49078b13a07b&pd_rd_wg=G0Vf1&pf_rd_r=Z7D70GEF2HDN12VEB1CM&pd_rd_r=fad1ba80-d46a-4eaf-8c20-9096289b607d&s=kitchen&spLa=ZW5jcnlwdGVkUXVhbGlmaWVyPUFaQjIQNFVNNTNOU1QmZW5jcnlwdGVkSWQ9QTA2ODI0MzFWQ0JUW1dFUKJNS1MmZW5jcnlwdGVkQWRJZD1BMDc4NDYxMTI5VzVJVfYskZZMU8md2lkZ2V0TmFtZT1zcF9kZXRhaWxfidGhlfWF0aWMMYWN0aW9uPWNsaWNrUmVkaXJlY3QmZG9Ob3Rmb2dDbGljaz10cnVI&th=1) (Year: 2021).\*

\* cited by examiner

*Primary Examiner* — Deanna L Pratt  
(74) *Attorney, Agent, or Firm* — Zhihua Han; Wen IP LLC

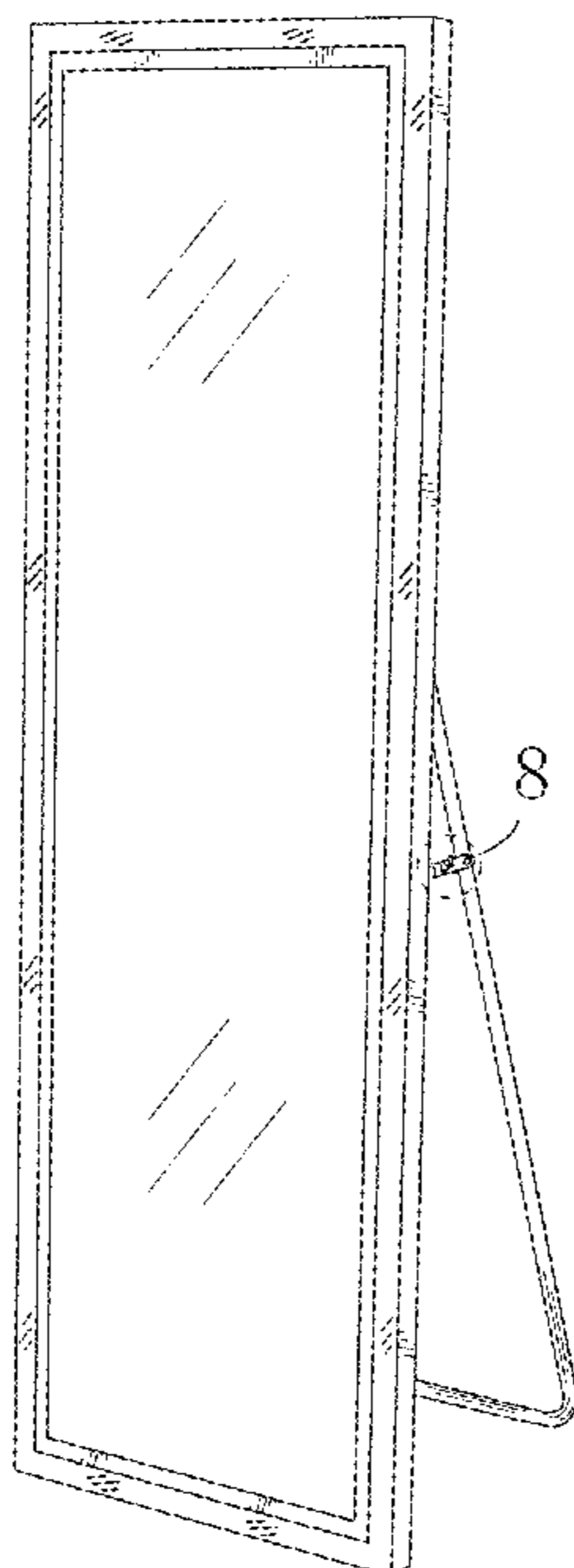
(57) **CLAIM**

The ornamental design for a mirror, as shown and described.

**DESCRIPTION**

FIG. 1 is a perspective view of a mirror, showing my new design;  
FIG. 2 is a front elevation view thereof;  
FIG. 3 is a rear elevation view thereof;  
FIG. 4 is a left side elevation view thereof;  
FIG. 5 is a right side elevation view thereof;  
FIG. 6 is a top plan view thereof;  
FIG. 7 is a bottom plan view thereof; and,  
FIG. 8 is an enlarged view of the encircled region of FIG. 1.

**1 Claim, 8 Drawing Sheets**



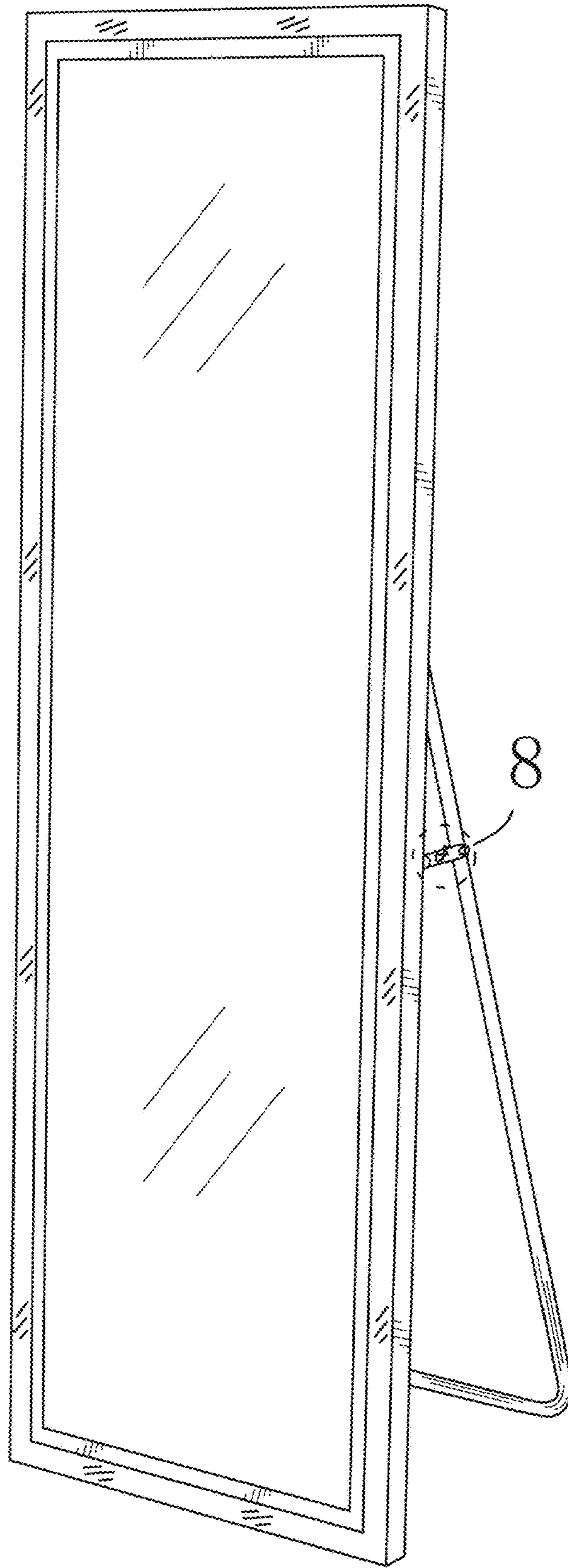


FIG. 1

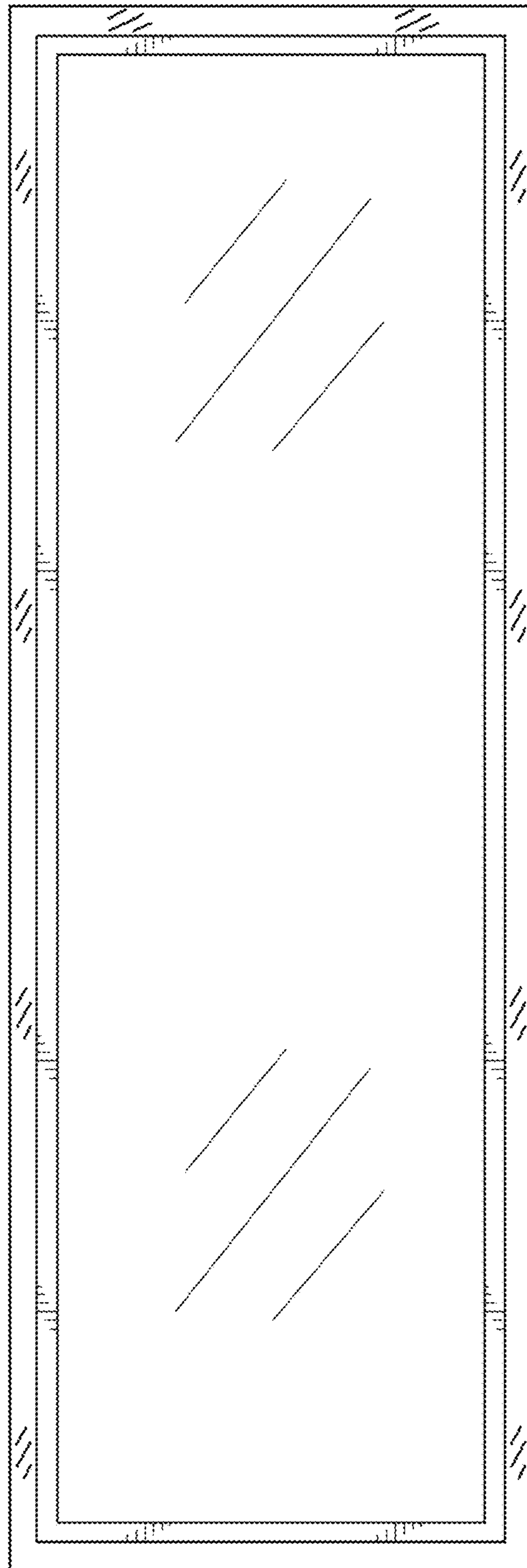


FIG. 2

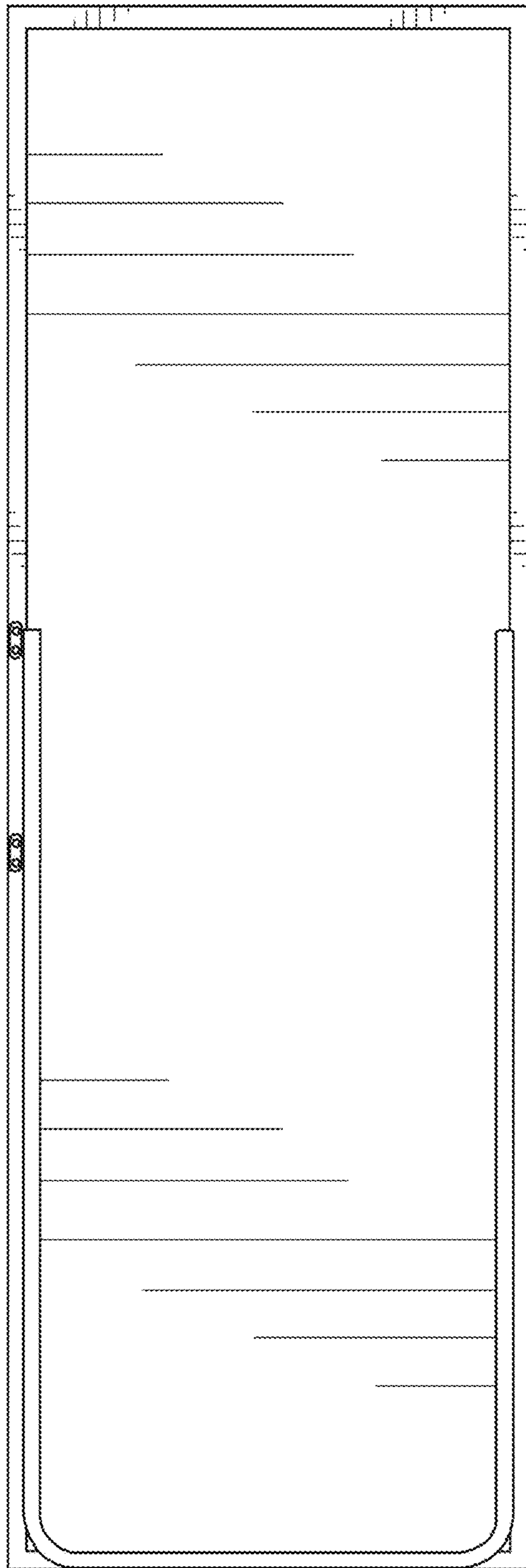


FIG. 3

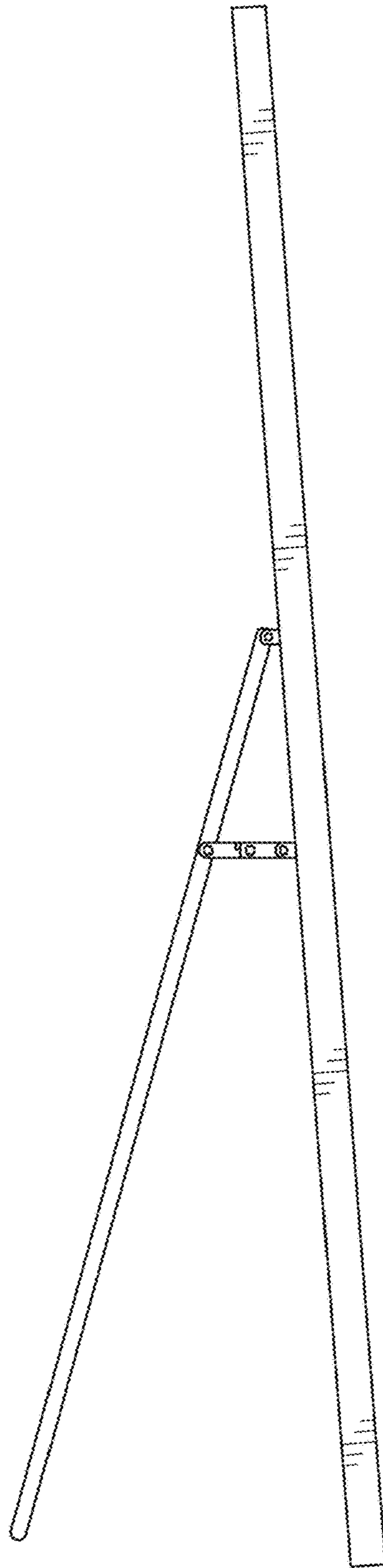


FIG. 4

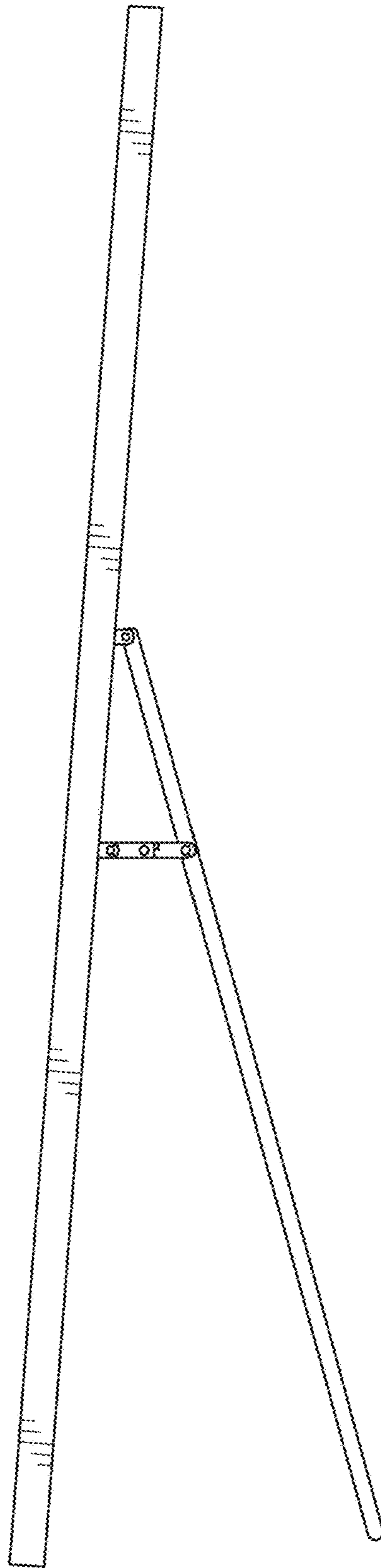


FIG. 5

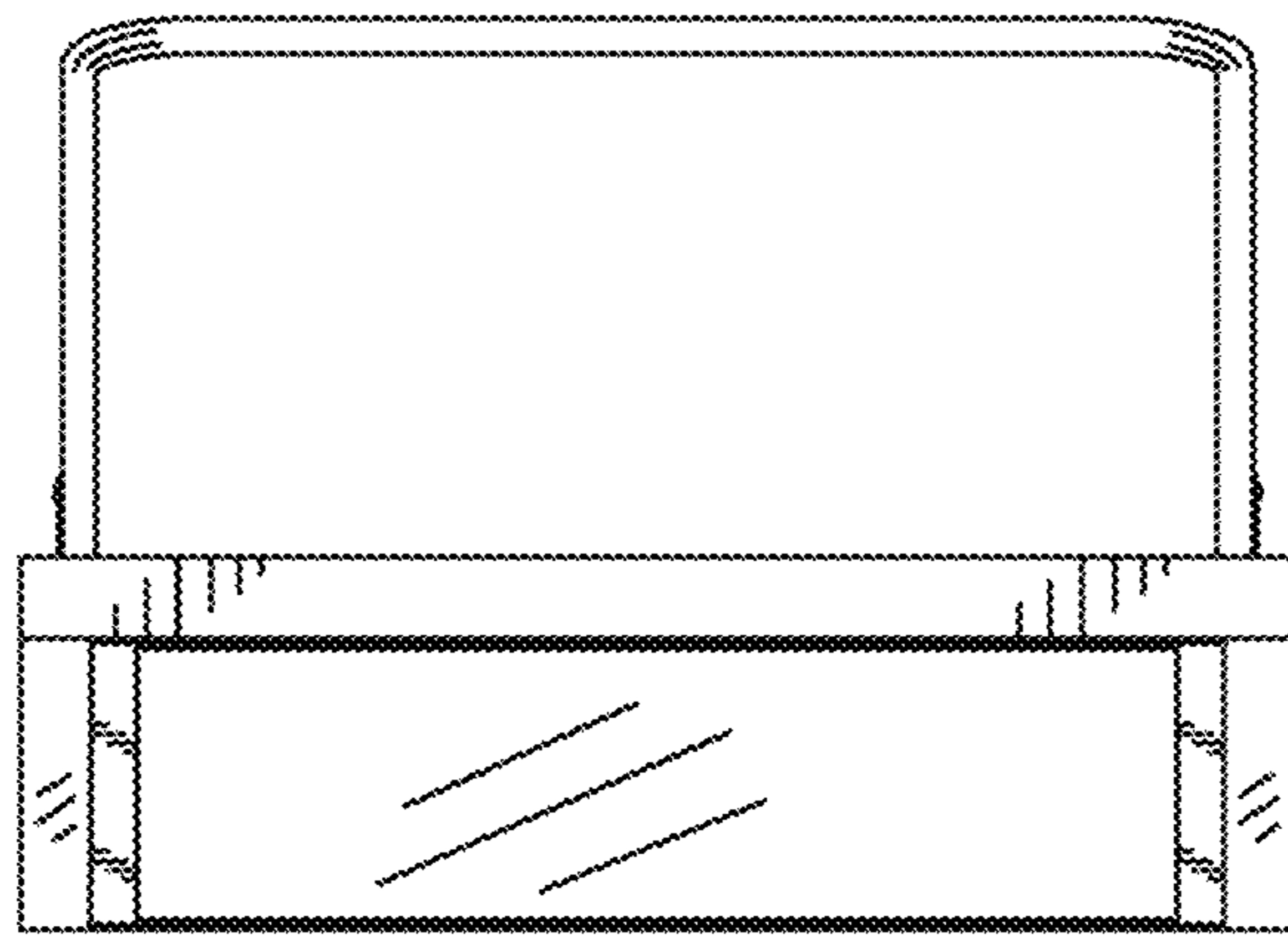


FIG. 6

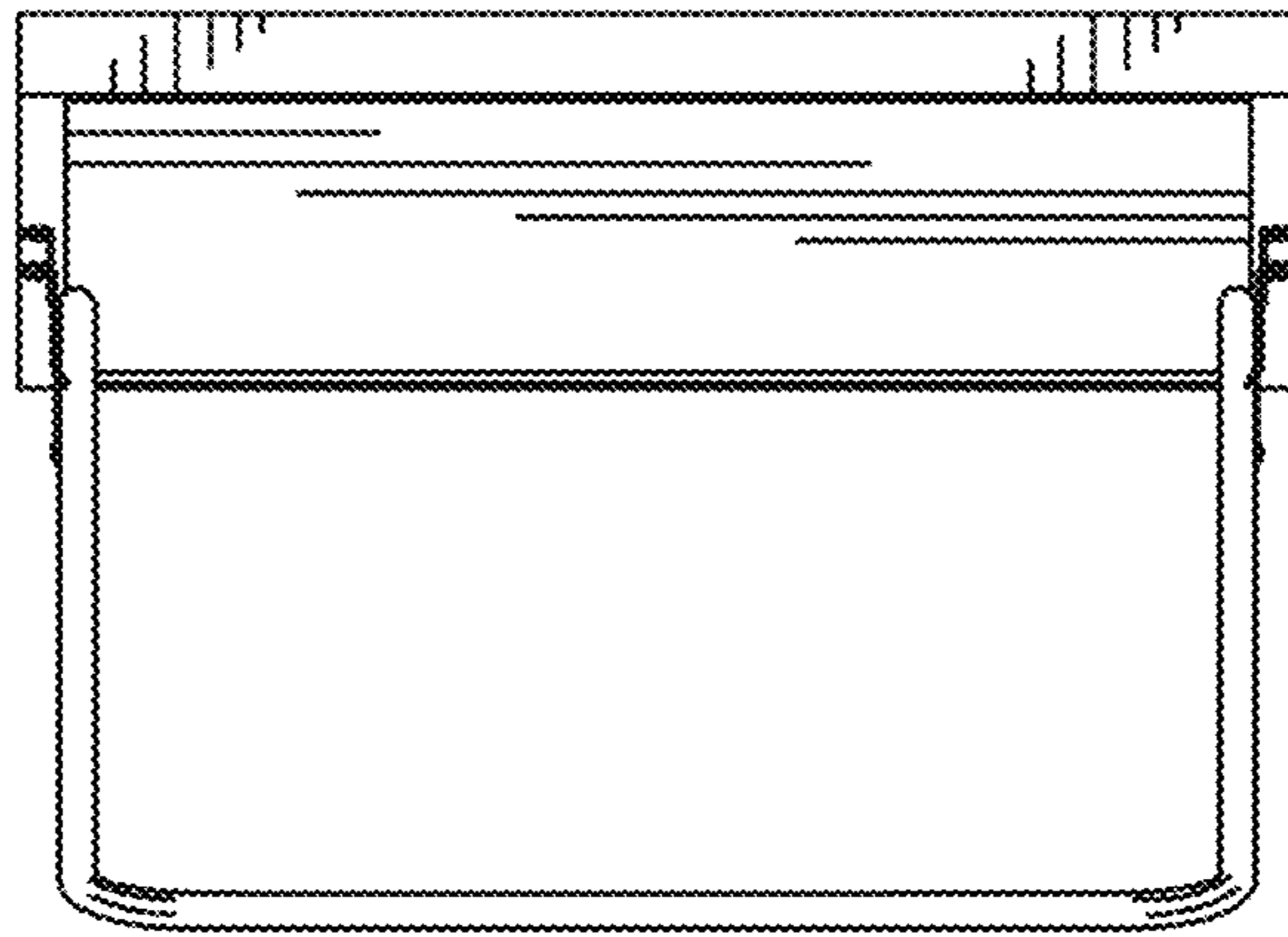


FIG. 7



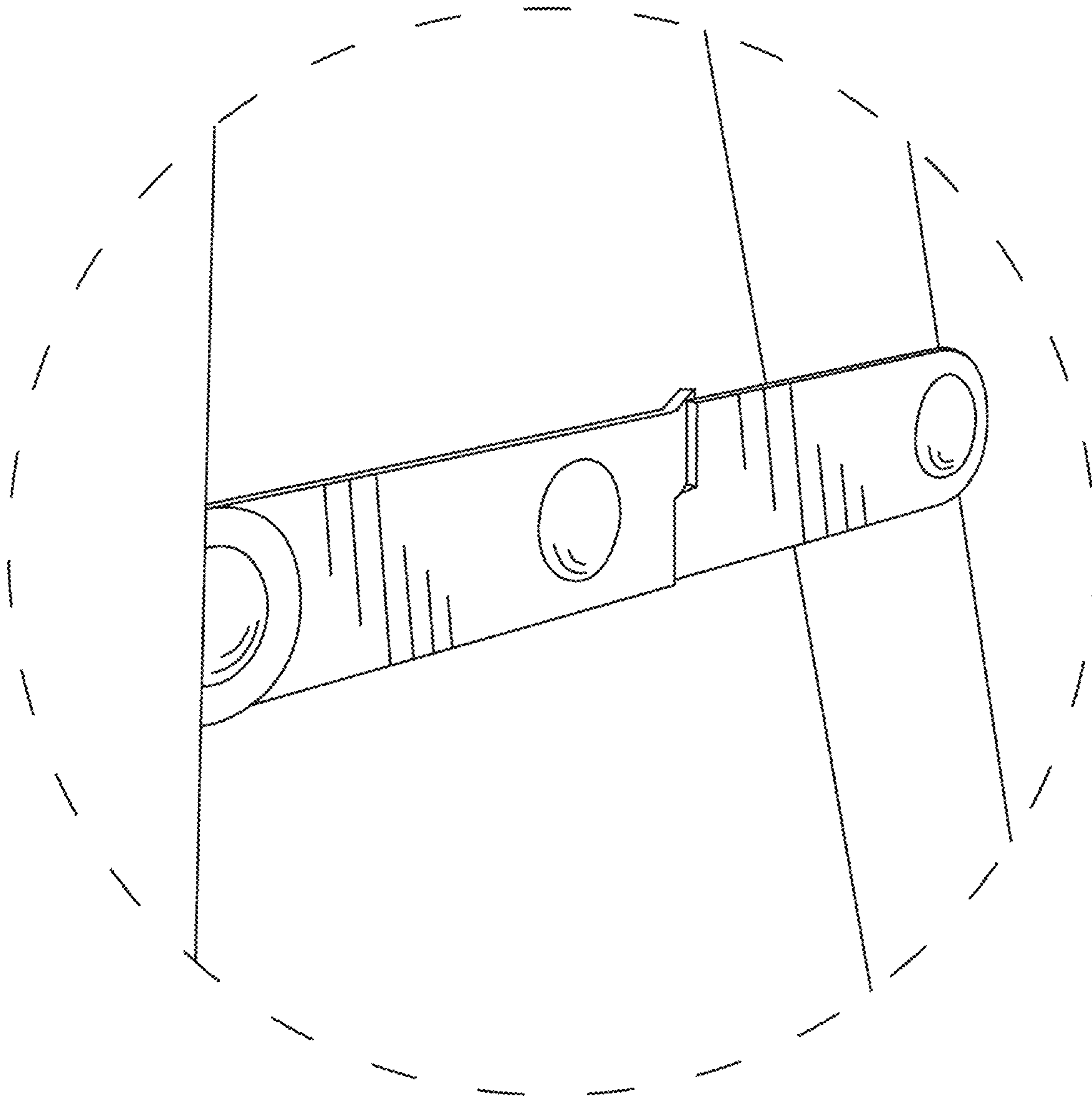


FIG. 8