



US00D970229S

(12) **United States Design Patent**
Yang et al.

(10) **Patent No.:** **US D970,229 S**

(45) **Date of Patent:** **** Nov. 22, 2022**

- (54) **BATHROOM MIRROR**
- (71) Applicant: **DONGGUAN POWERME PLASTIC MFG. CO., LTD.**, Dongguan (CN)
- (72) Inventors: **Guoxiang Yang**, Dongguan (CN);
Guowei Yang, Dongguan (CN)
- (73) Assignee: **DONGGUAN POWERME PLASTIC MFG. CO., LTD.**, Dongguan (CN)

D566,974 S *	4/2008	Lee	D6/300
D572,021 S *	7/2008	Svendsen	D6/300
D812,384 S	3/2018	Zhu	
D880,171 S	4/2020	Yang	
D923,946 S *	7/2021	Flaig	D6/309
D940,472 S *	1/2022	LeTourneau	D6/309
D945,779 S *	3/2022	Bucknall	D6/309
D954,451 S *	6/2022	Adkison	D6/300
D959,156 S *	8/2022	Xu	D6/300

(**) Term: **15 Years**

* cited by examiner

Primary Examiner — Deanna L Pratt

(21) Appl. No.: **29/816,854**

(57) **CLAIM**

The ornamental design for a bathroom mirror, as shown and described.

(22) Filed: **Nov. 25, 2021**

DESCRIPTION

(51) **LOC (13) Cl.** **06-07**

(52) **U.S. Cl.**
USPC **D6/309**

(58) **Field of Classification Search**
USPC D6/300-314; D28/64.1-64.7
CPC A47G 1/00; A47G 2001/002; A45D 42/10;
F21V 33/004

FIG. 1 is a perspective view of a bathroom mirror showing my new design;
FIG. 2 is another perspective view thereof;
FIG. 3 is a front elevational view thereof;
FIG. 4 is a rear elevational view thereof;
FIG. 5 is a left side elevational view thereof;
FIG. 6 is a right side elevational view thereof;
FIG. 7 is a top plan view thereof; and,
FIG. 8 is a bottom plan view thereof.

See application file for complete search history.

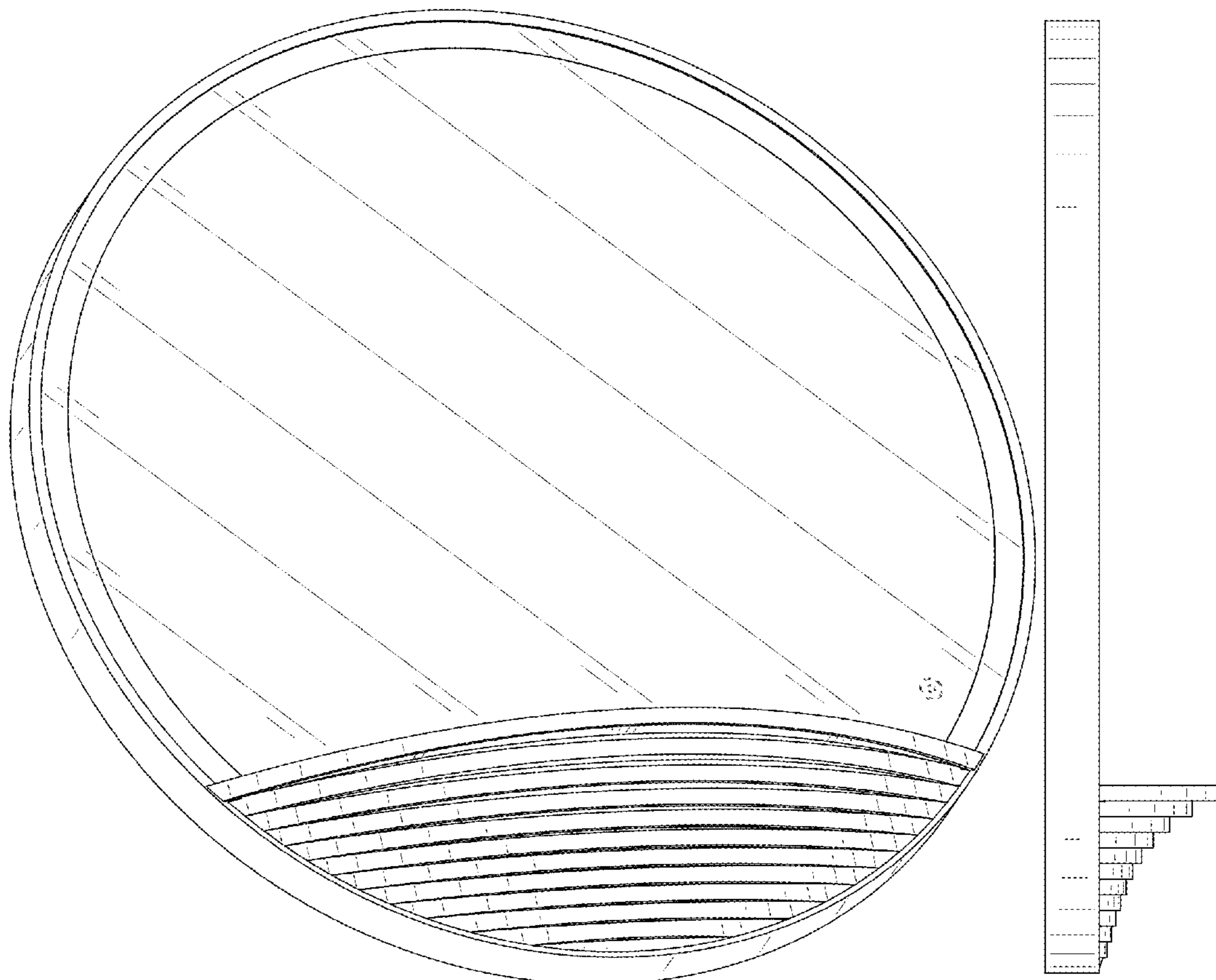
The broken lines in the drawings depict portions of the bathroom mirror that form no part of the claimed design.

(56) **References Cited**

U.S. PATENT DOCUMENTS

D530,523 S *	10/2006	Pitot	D6/309
D562,571 S *	2/2008	Pitot	D6/309

1 Claim, 8 Drawing Sheets



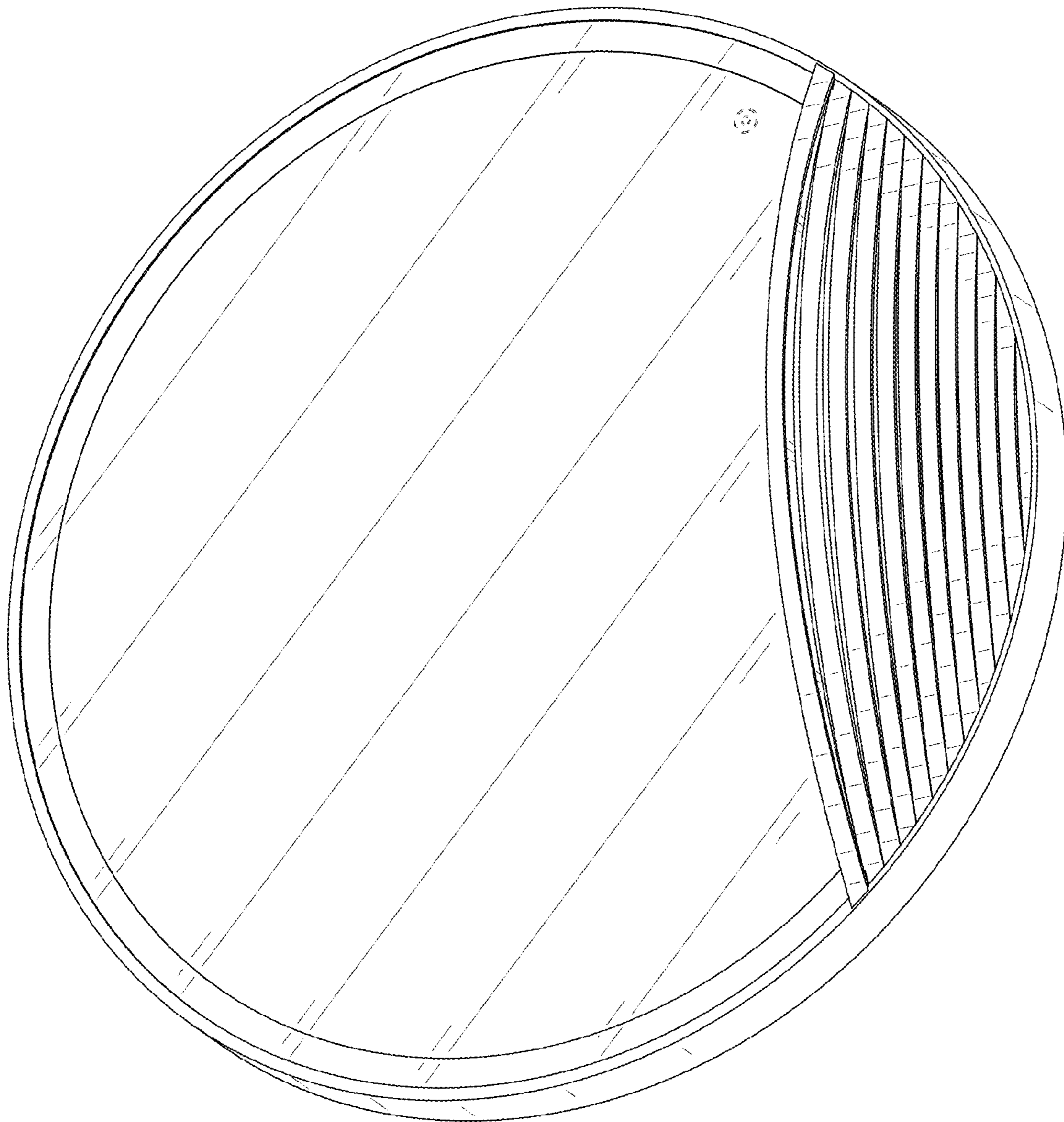


FIG. 1

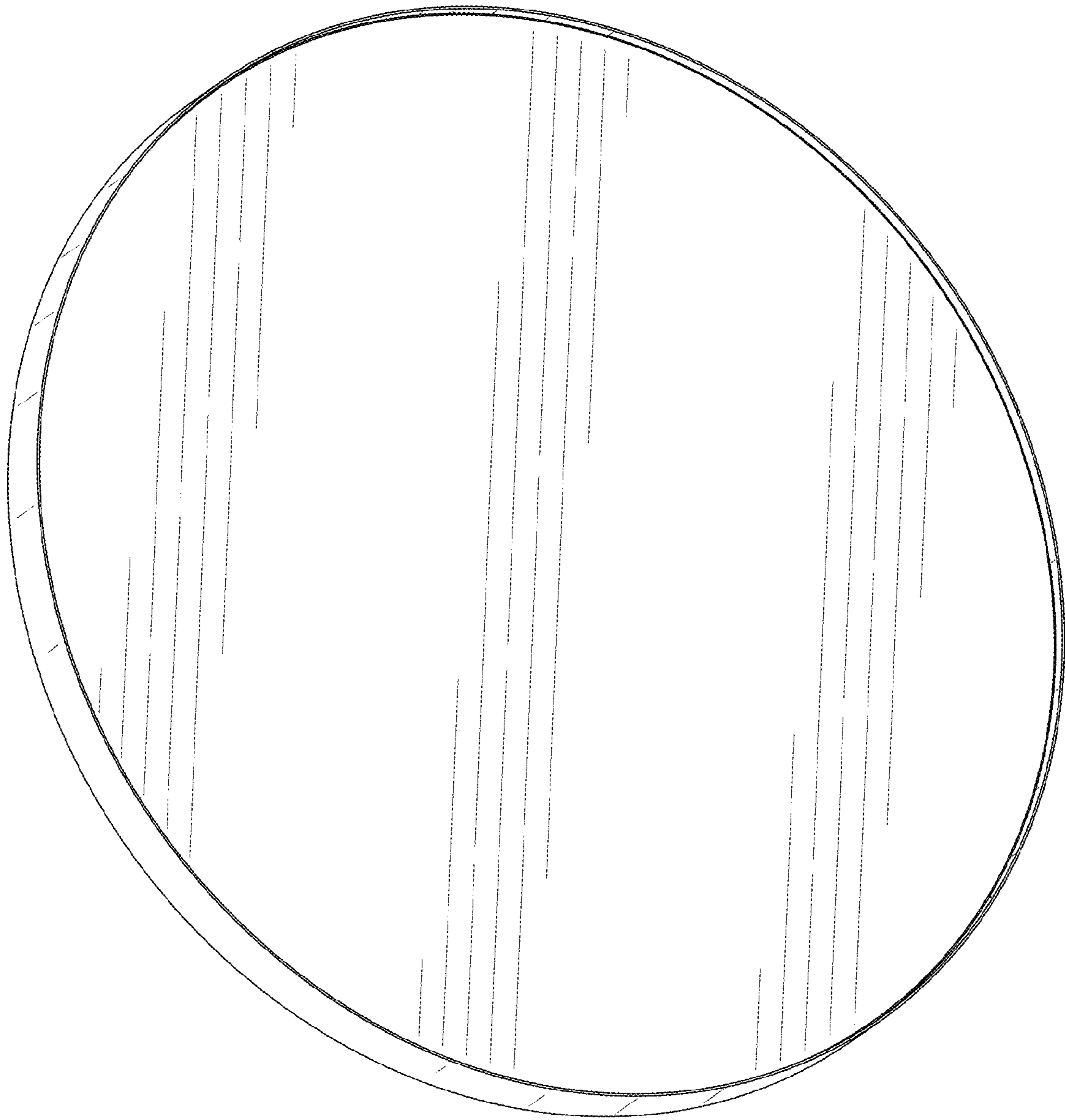


FIG. 2

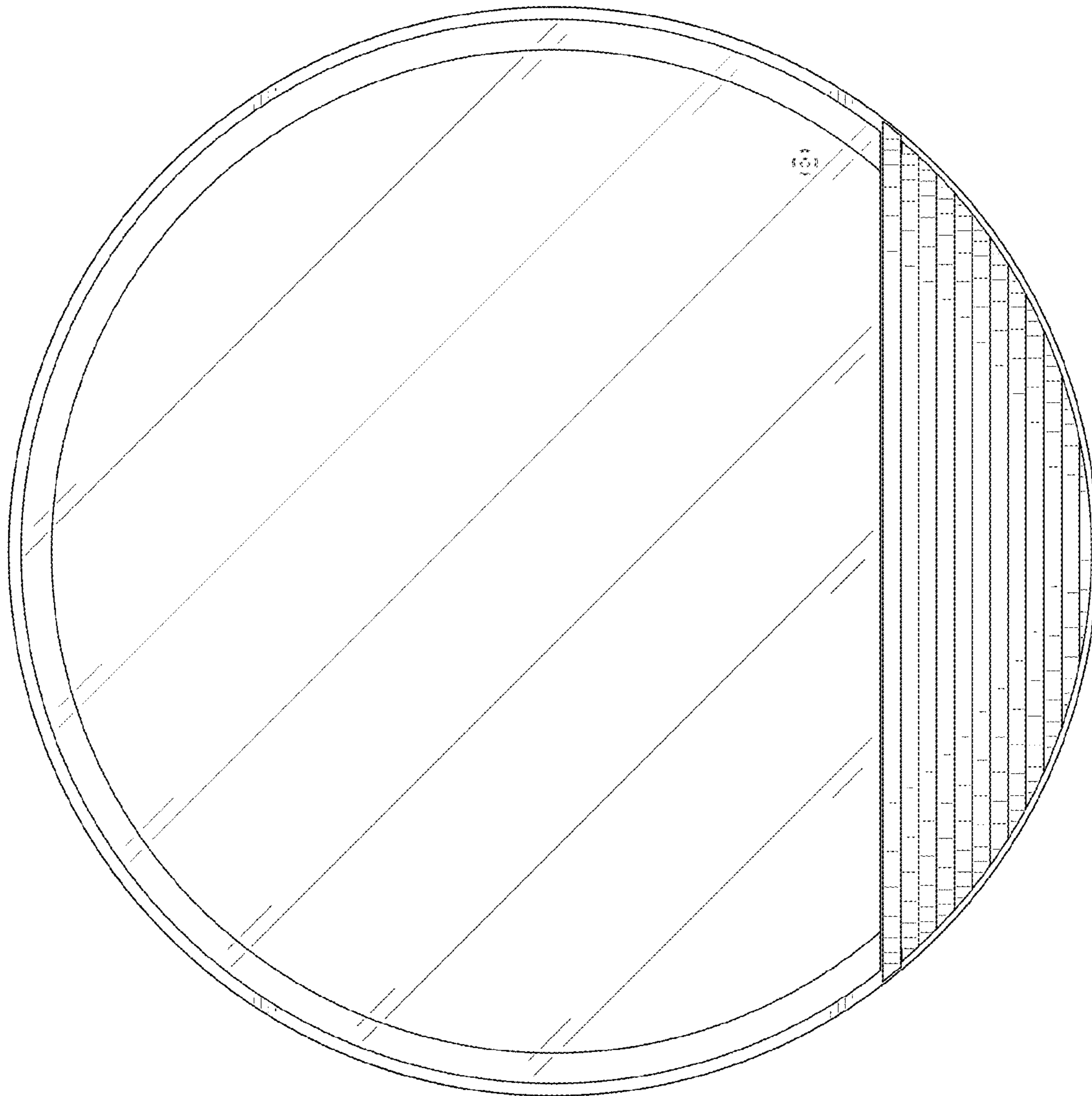


FIG. 3

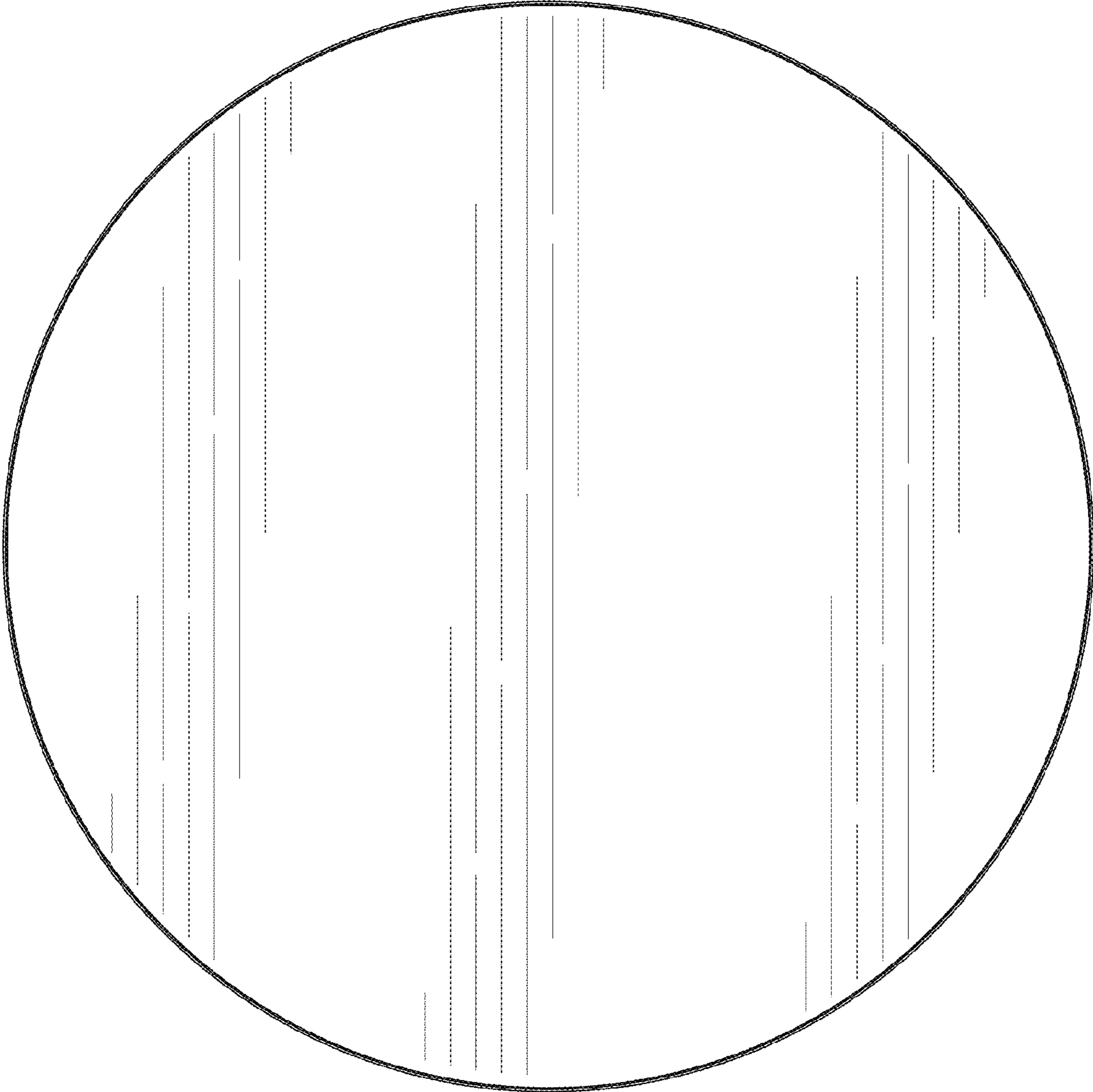


FIG. 4

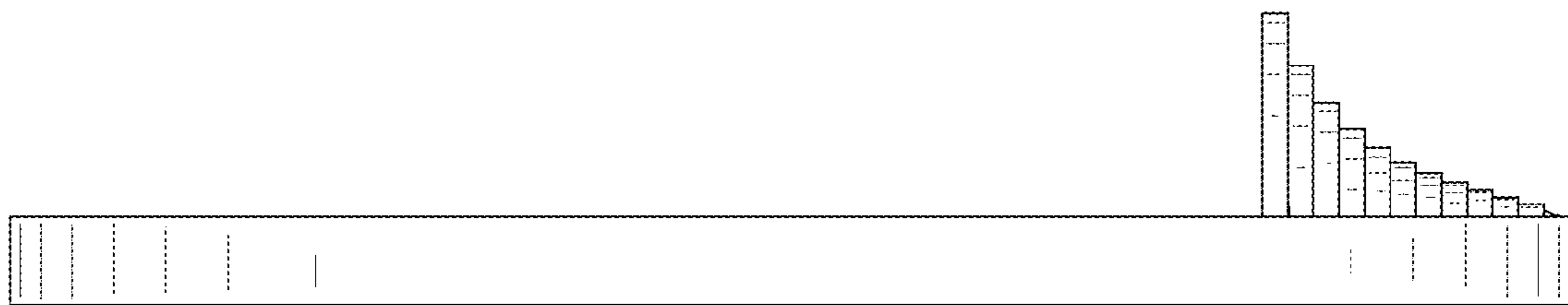


FIG. 5

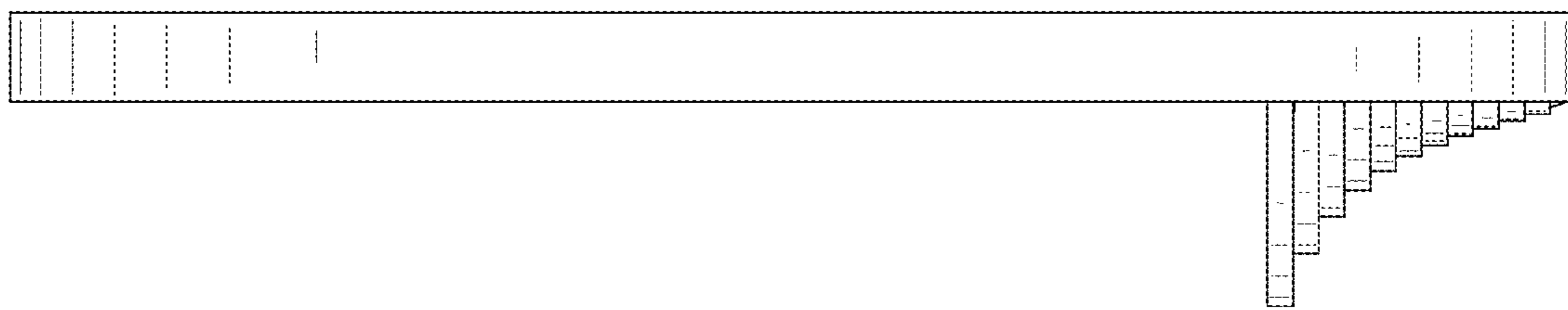


FIG. 6

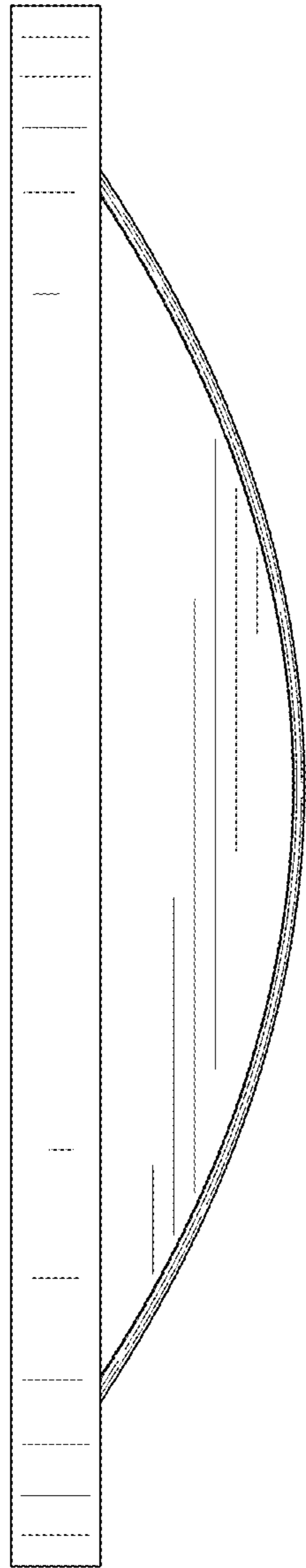


FIG. 7

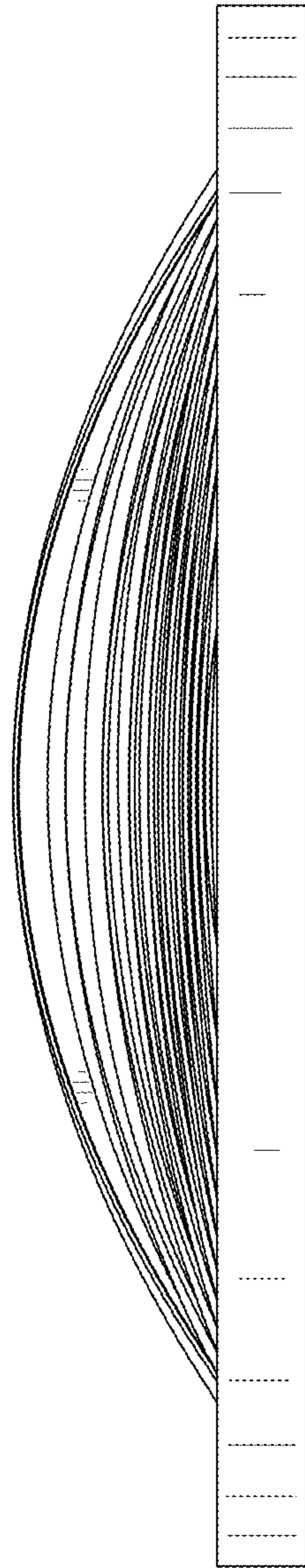


FIG. 8