



US00D970227S

(12) **United States Design Patent**  
**Kaiser et al.**

(10) **Patent No.:** **US D970,227 S**

(45) **Date of Patent:** **\*\* Nov. 22, 2022**

(54) **MIRROR ATTACHMENT**

(71) Applicant: **Erik A. Kaiser**, New York, NY (US)

(72) Inventors: **Erik A. Kaiser**, New York, NY (US);  
**Joshua David Kran**, Endwell, NY (US)

(73) Assignee: **Erik A. Kaiser**, New York, NY (US)

(\*\*) Term: **15 Years**

(21) Appl. No.: **29/780,573**

(22) Filed: **Apr. 26, 2021**

(51) **LOC (13) Cl.** ..... **06-07**

(52) **U.S. Cl.**  
USPC ..... **D6/301**

(58) **Field of Classification Search**  
USPC ..... D6/300-314  
CPC .. A47G 1/00; A47G 2001/002; F21V 33/004;  
A45D 42/10

See application file for complete search history.

(56) **References Cited**

**U.S. PATENT DOCUMENTS**

D235,689 S \* 7/1975 Benty ..... D6/308  
D259,067 S \* 4/1981 Kretschmer ..... D6/308  
D304,712 S \* 11/1989 Cheung ..... D12/191  
D543,707 S \* 6/2007 Chan ..... D6/312

D743,704 S \* 11/2015 Kaiser ..... D6/300  
D749,329 S \* 2/2016 Kaiser ..... D6/300  
D874,836 S \* 2/2020 Li ..... D6/312  
D935,792 S \* 11/2021 Li ..... D6/310

\* cited by examiner

*Primary Examiner* — Deanna L Pratt

(74) *Attorney, Agent, or Firm* — Steven N. Fox, Esq.

(57) **CLAIM**

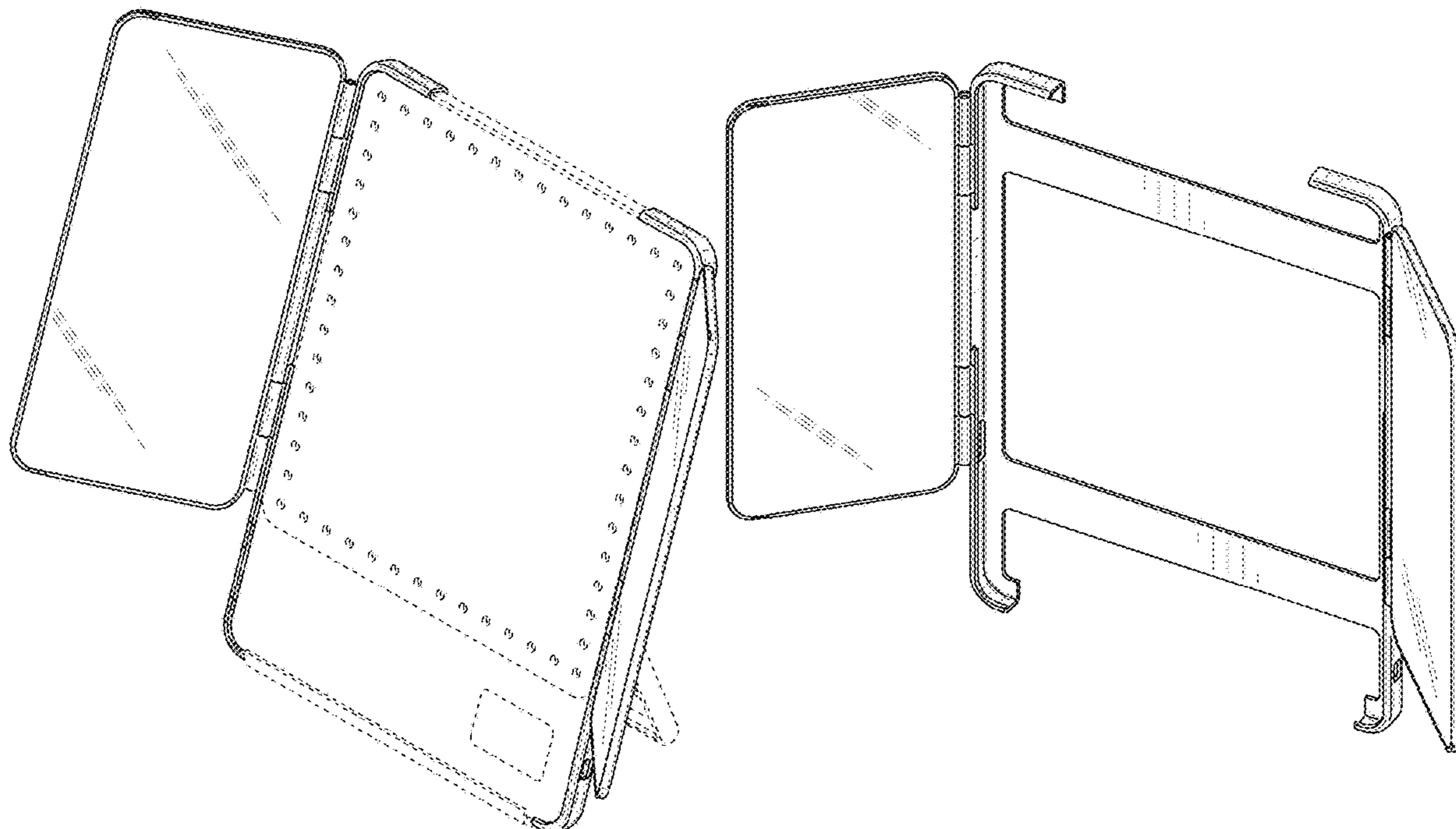
The ornamental design for a mirror attachment, as shown and described.

**DESCRIPTION**

FIG. 1 is a front perspective view of a mirror attachment according to the present invention showing a mirror disposed within the mirror attachment in the open position; FIG. 2 is a front perspective view of a mirror attachment with the mirror in the closed position. FIG. 3 is a front perspective view of a mirror attachment without a mirror in an open position. FIG. 4 is a front view thereof; FIG. 5 is a rear view thereof; FIG. 6 is a left side view thereof; FIG. 7 is a right side view thereof; FIG. 8 is a top view thereof; and, FIG. 9 is a bottom view thereof.

The mirror and stand shown in broken lines forms no part of the claimed design.

**1 Claim, 7 Drawing Sheets**



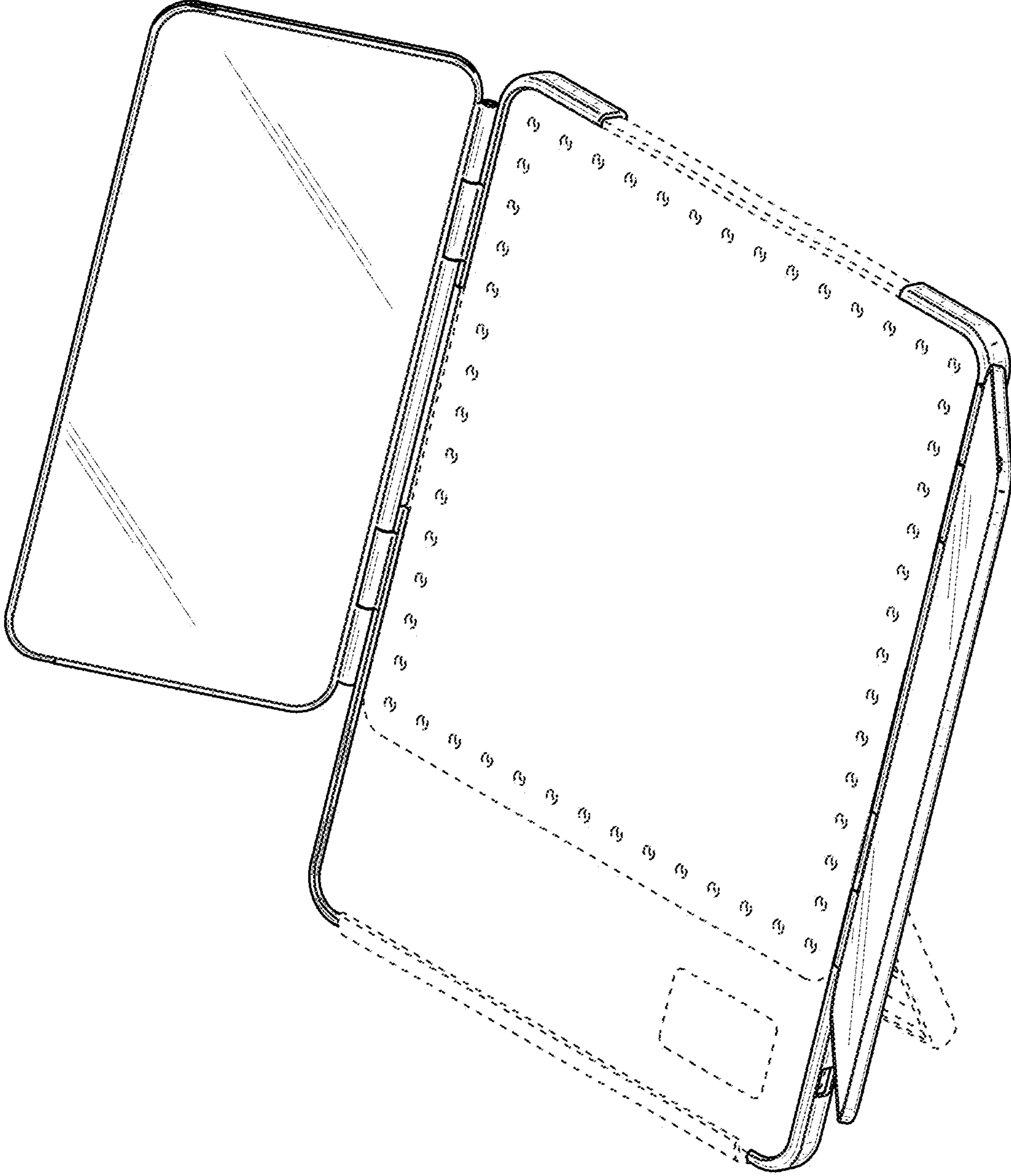


FIG. 1

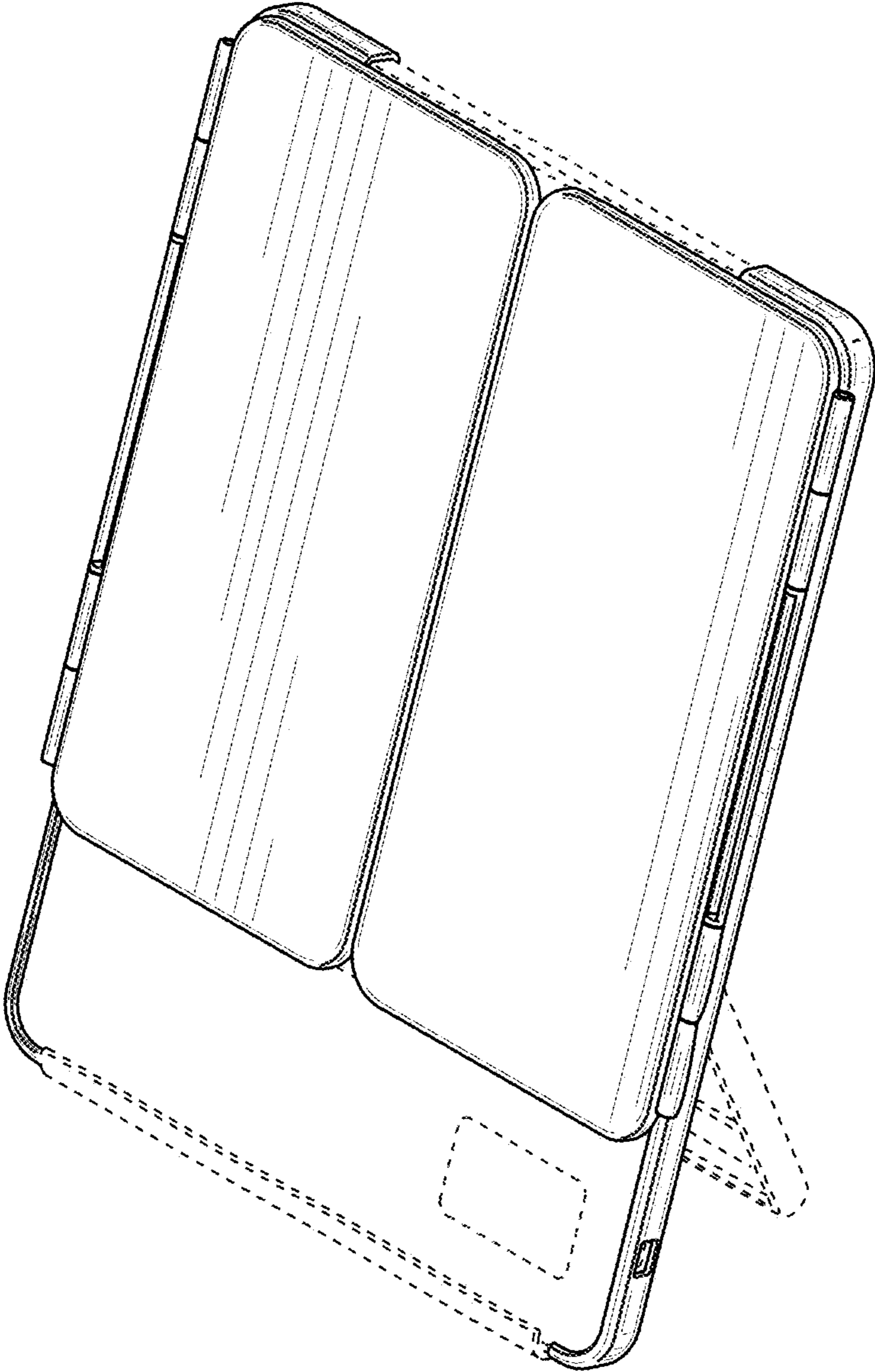


FIG. 2

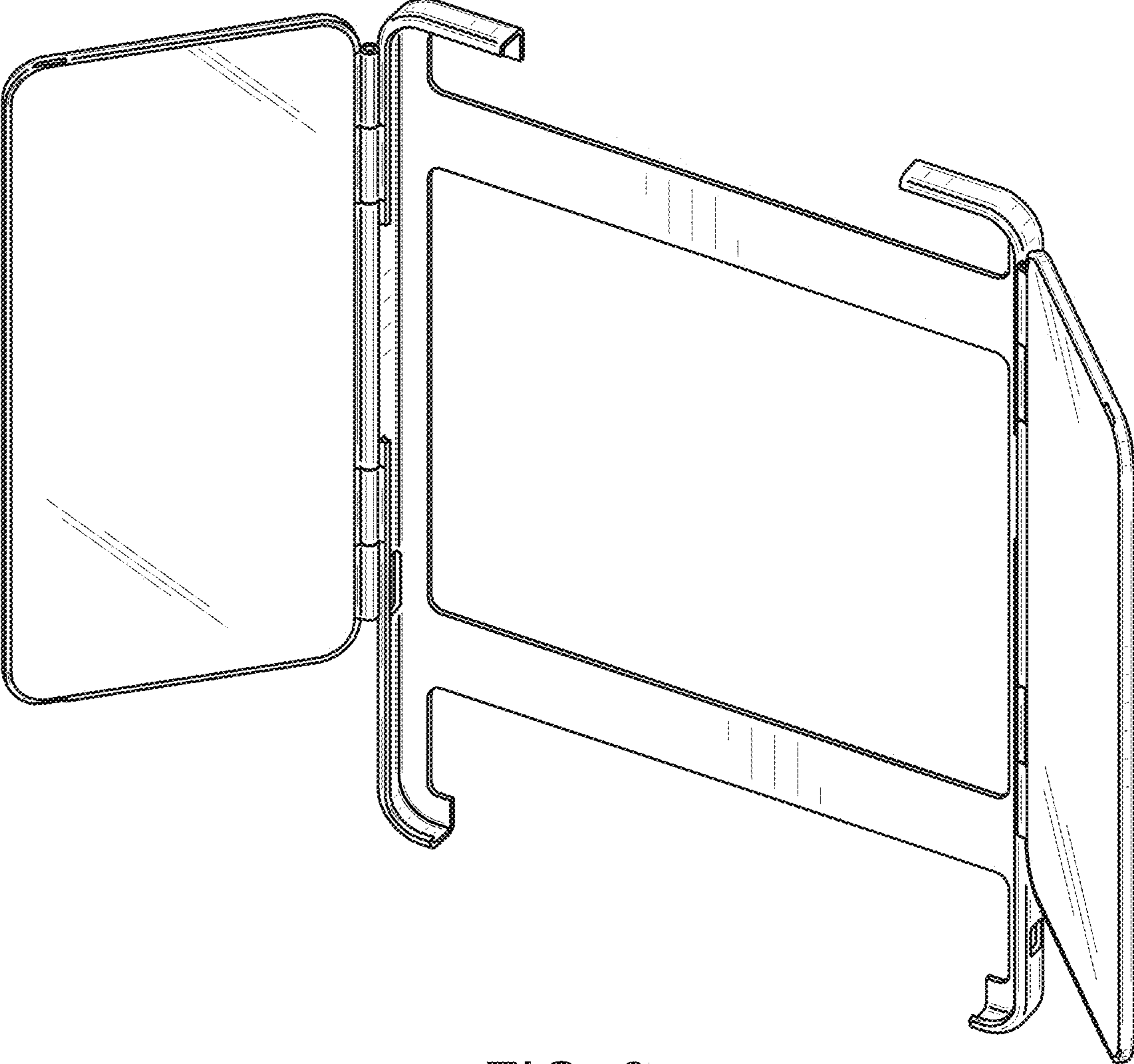


FIG. 3



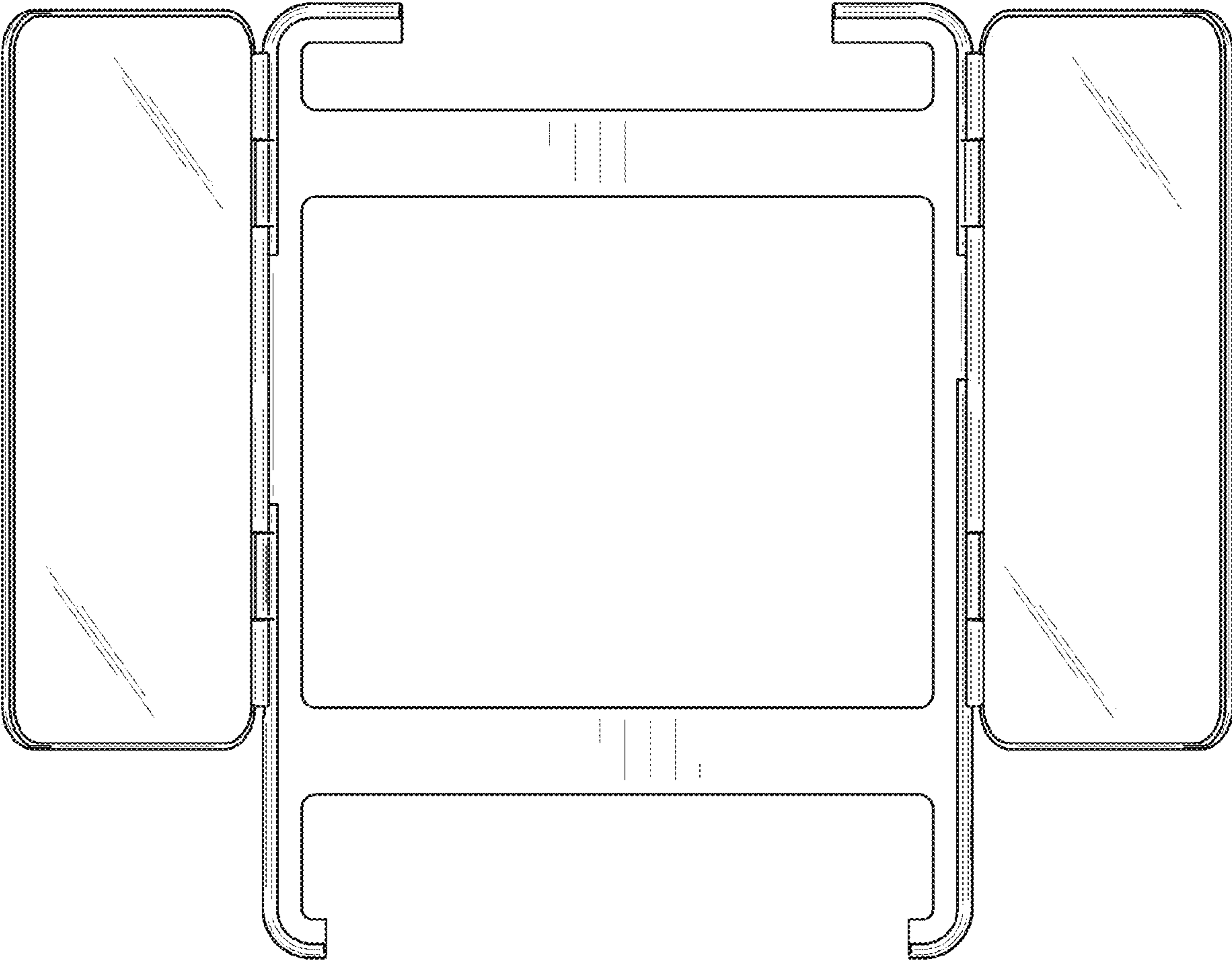


FIG. 4

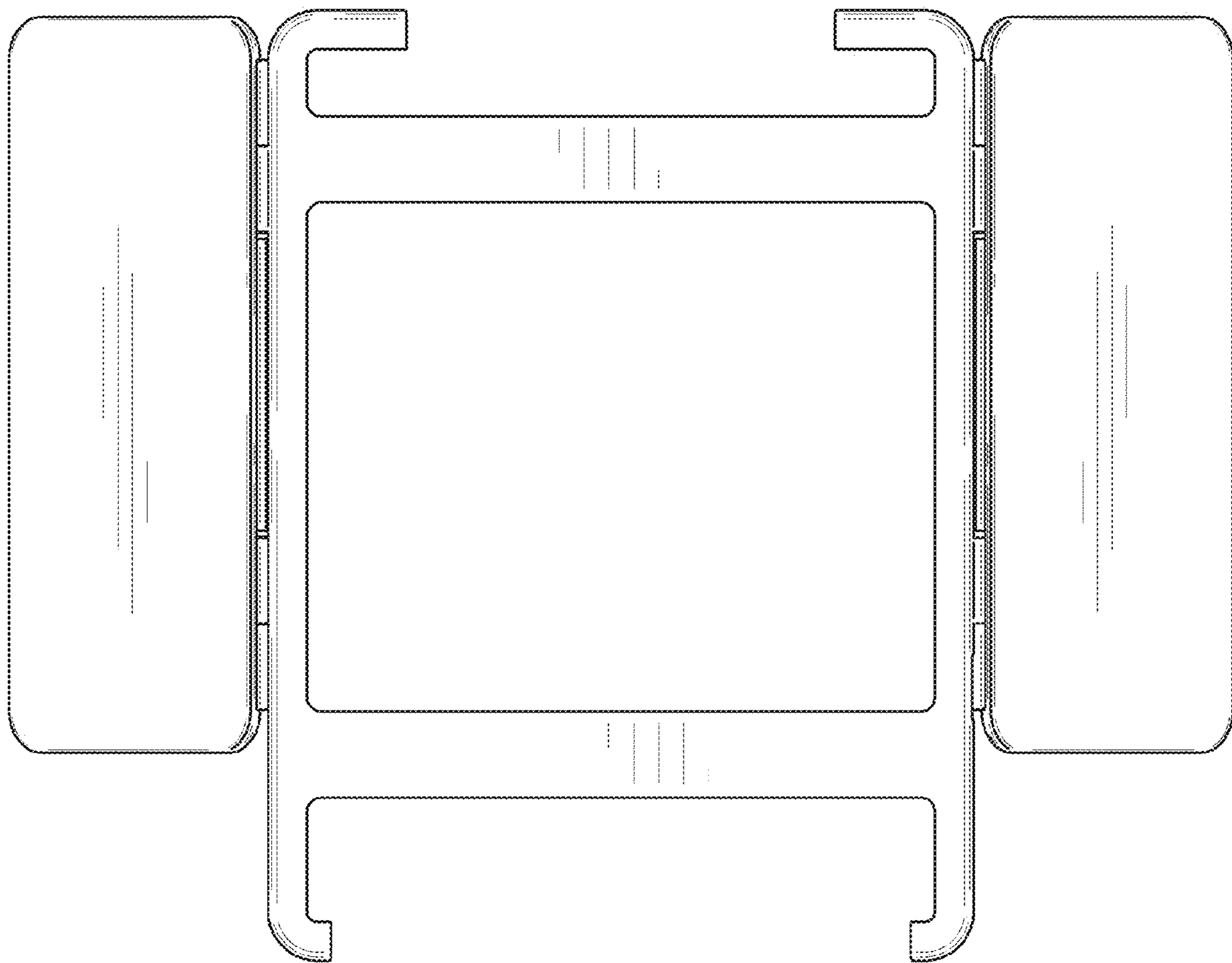


FIG. 5

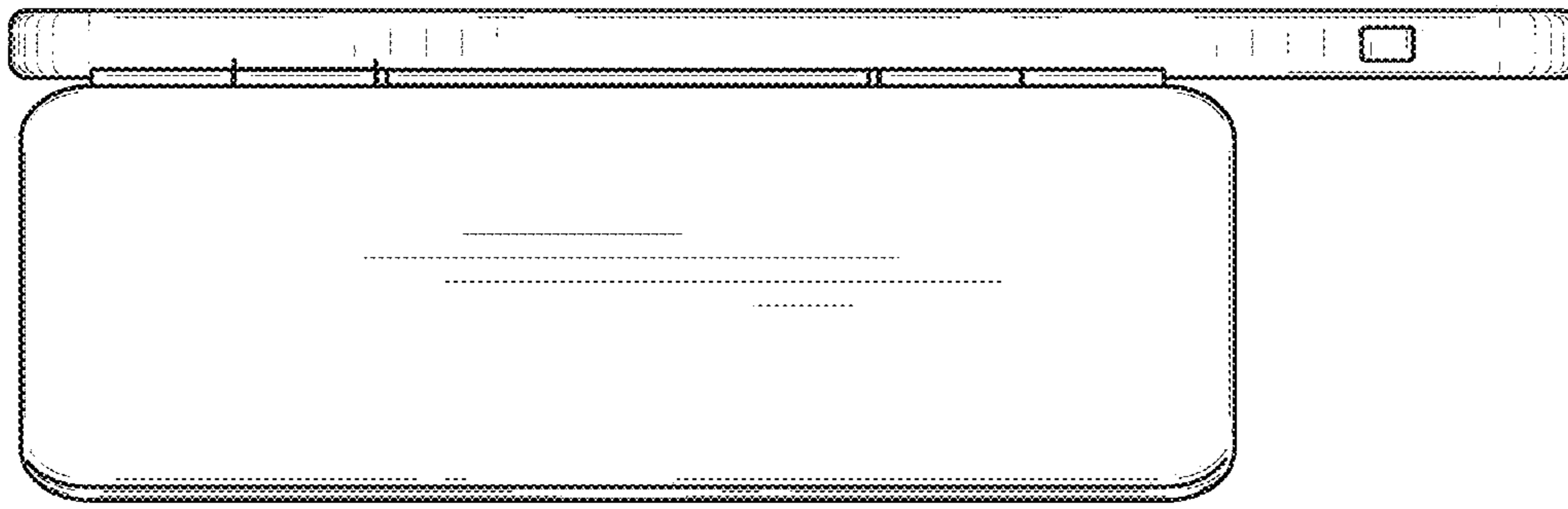


FIG. 6

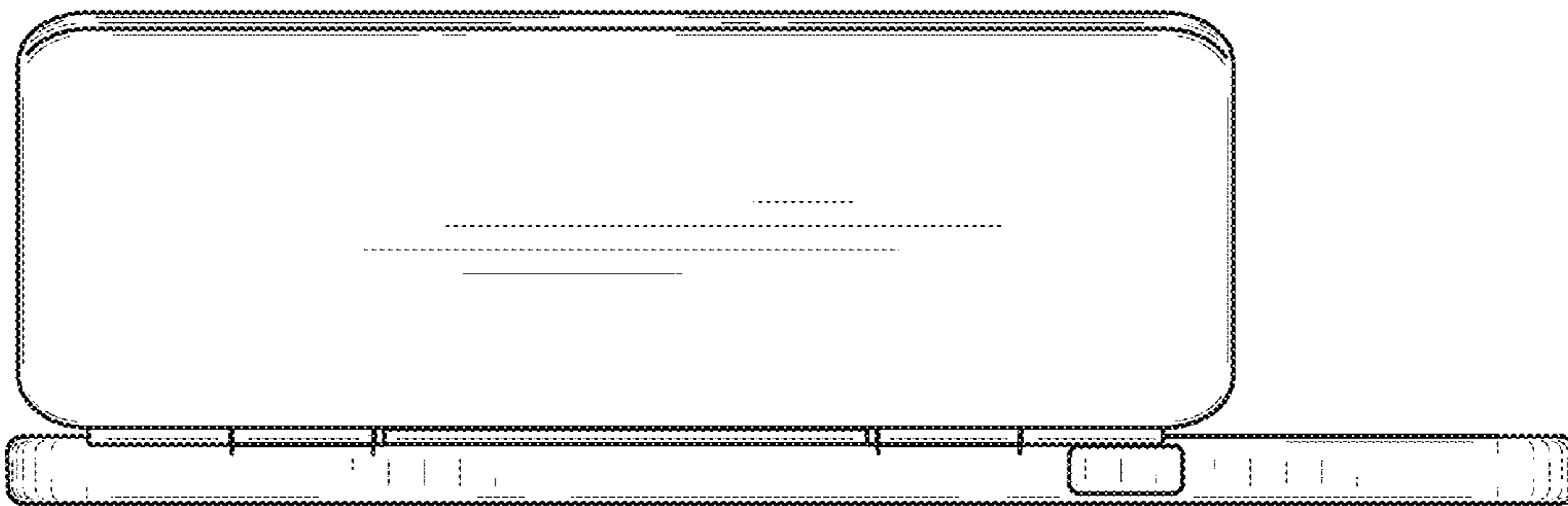


FIG. 7



FIG. 8



FIG. 9