



US00D970225S

(12) **United States Design Patent** (10) **Patent No.:** **US D970,225 S**
Wu (45) **Date of Patent:** **** Nov. 22, 2022**

(54) **WAVE LINT REMOVER**
(71) Applicant: **Yifeng Wu**, Guangzhou (CN)
(72) Inventor: **Yifeng Wu**, Guangzhou (CN)
(**) Term: **15 Years**
(21) Appl. No.: **29/807,675**
(22) Filed: **Sep. 14, 2021**
(51) **LOC (13) Cl.** **04-01**
(52) **U.S. Cl.**
USPC **D4/122**
(58) **Field of Classification Search**
USPC D4/122, 138; 15/27, 104.001, 104.002,
15/230.11; 492/13, 16-19
CPC A47L 9/0626; A47L 9/0488; A47L 9/0477
See application file for complete search history.

D671,748 S * 12/2012 Guyton D4/122
D676,246 S * 2/2013 Gold D4/122
D690,944 S * 10/2013 Lee D4/122
D696,826 S * 12/2013 Seehoff D4/138
9,358,376 B2 * 6/2016 Altarac A61M 37/0015
D802,306 S 11/2017 Woolman et al.
9,867,515 B2 * 1/2018 Ventress A47L 9/0626
D826,571 S 8/2018 Wang
D835,916 S 12/2018 Macca et al.
D889,851 S 7/2020 Lei
D891,118 S 7/2020 Neumann
D910,246 S 2/2021 Zhang
D914,311 S * 3/2021 Wytovicz D32/46
D928,441 S * 8/2021 Wytovicz D7/697
D939,098 S * 12/2021 Lombardo D24/211

* cited by examiner

Primary Examiner — Austin Murphy
(74) *Attorney, Agent, or Firm* — Runit Ranjit Kanakia

(57) **CLAIM**

I claim the ornamental design for a wave lint remover, as shown and described.

(56) **References Cited**

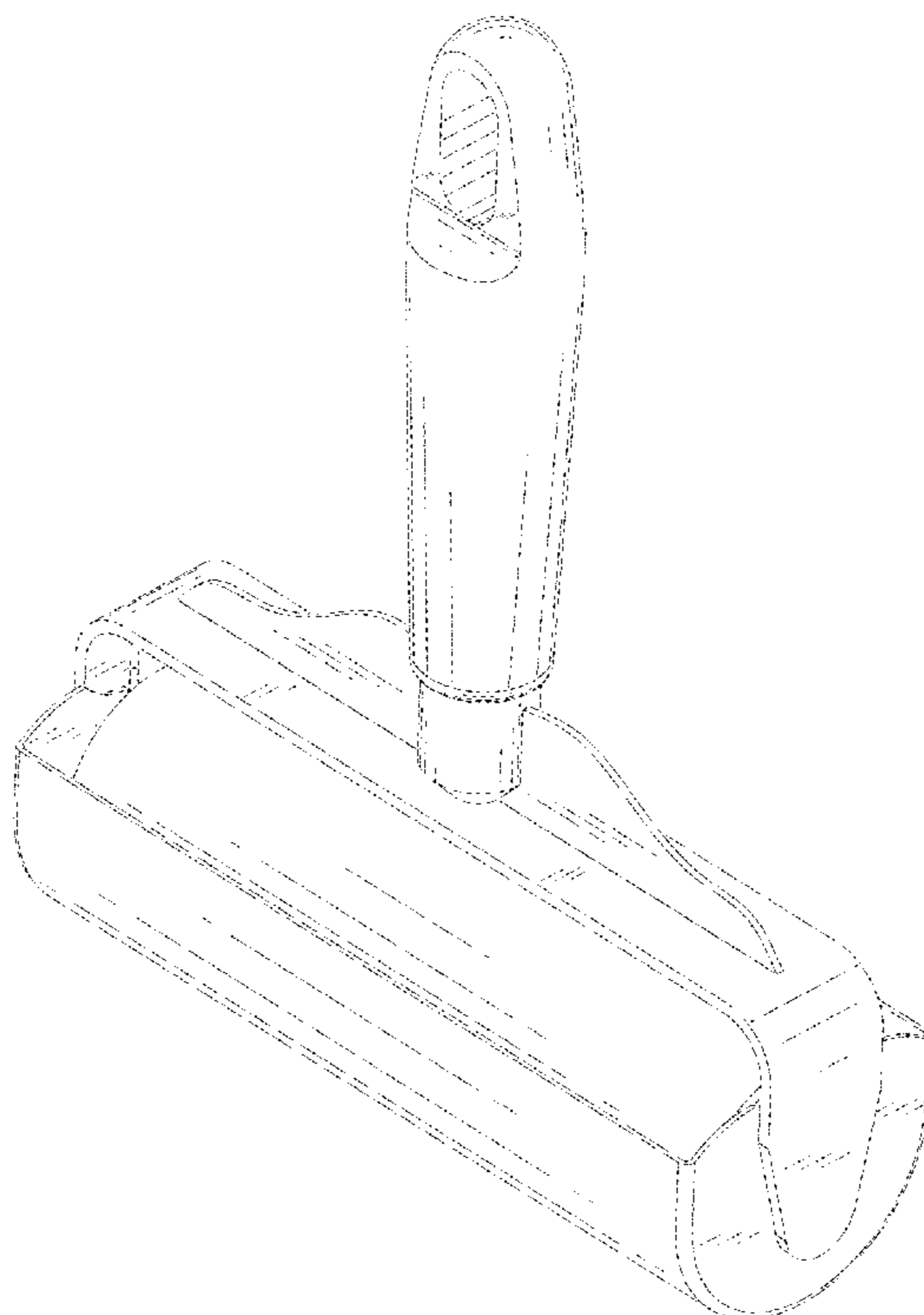
U.S. PATENT DOCUMENTS

2,087,888 A * 7/1937 Adams B05C 17/0207
492/19
D206,258 S * 11/1966 Roth D4/122
3,343,194 A * 9/1967 Ramelson A47L 25/005
15/230.11
D396,906 S * 8/1998 Medici D4/122
6,648,904 B2 * 11/2003 Altshuler A61N 5/0616
492/46
D532,203 S * 11/2006 Tuman D4/122
7,621,234 B2 * 11/2009 Roy A46B 7/10
119/613
D638,222 S * 5/2011 Molinet D4/122
D657,955 S * 4/2012 Morris D4/122
D661,491 S * 6/2012 Bunnag D4/122

DESCRIPTION

FIG. 1 is a Perspective view of a wave lint remover showing my new design;
FIG. 2 is a Front view thereof;
FIG. 3 is a Back view thereof;
FIG. 4 is a Right-side view thereof;
FIG. 5 is a Left-side view thereof;
FIG. 6 is a Top view thereof;
FIG. 7 is a Bottom view thereof; and,
FIG. 8 is an exposed Perspective view of thereof.

1 Claim, 8 Drawing Sheets



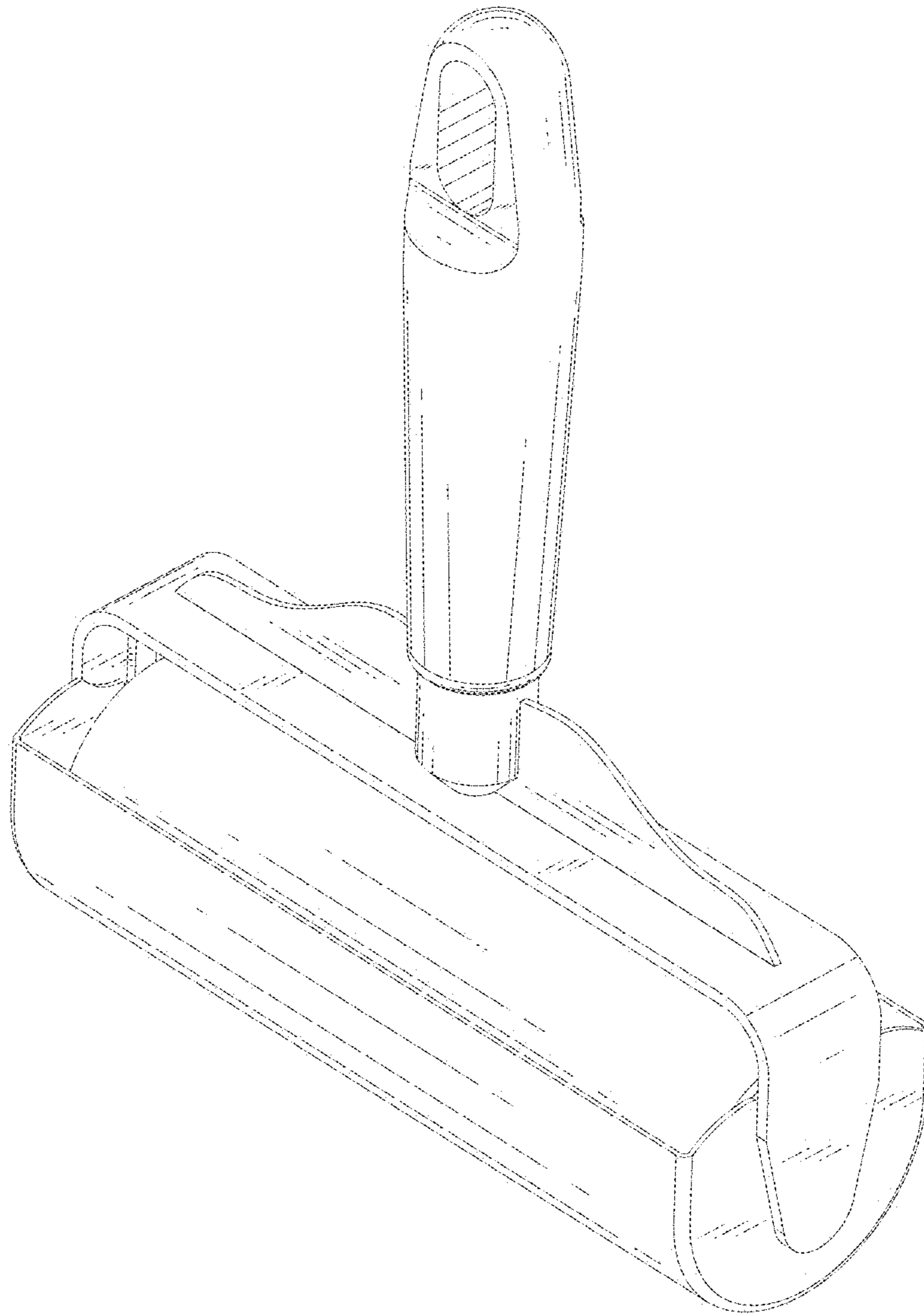


FIG. 1

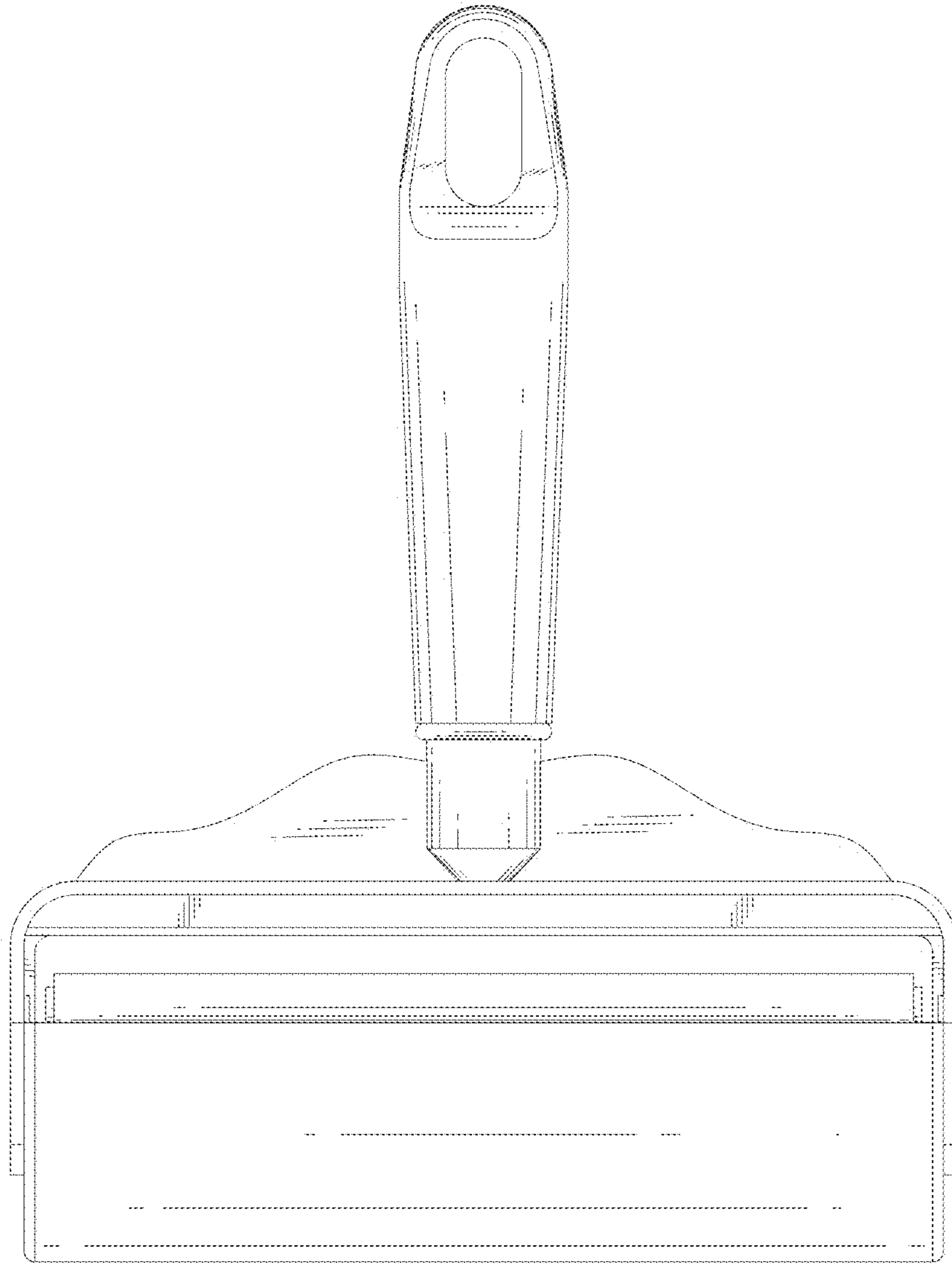


FIG.2

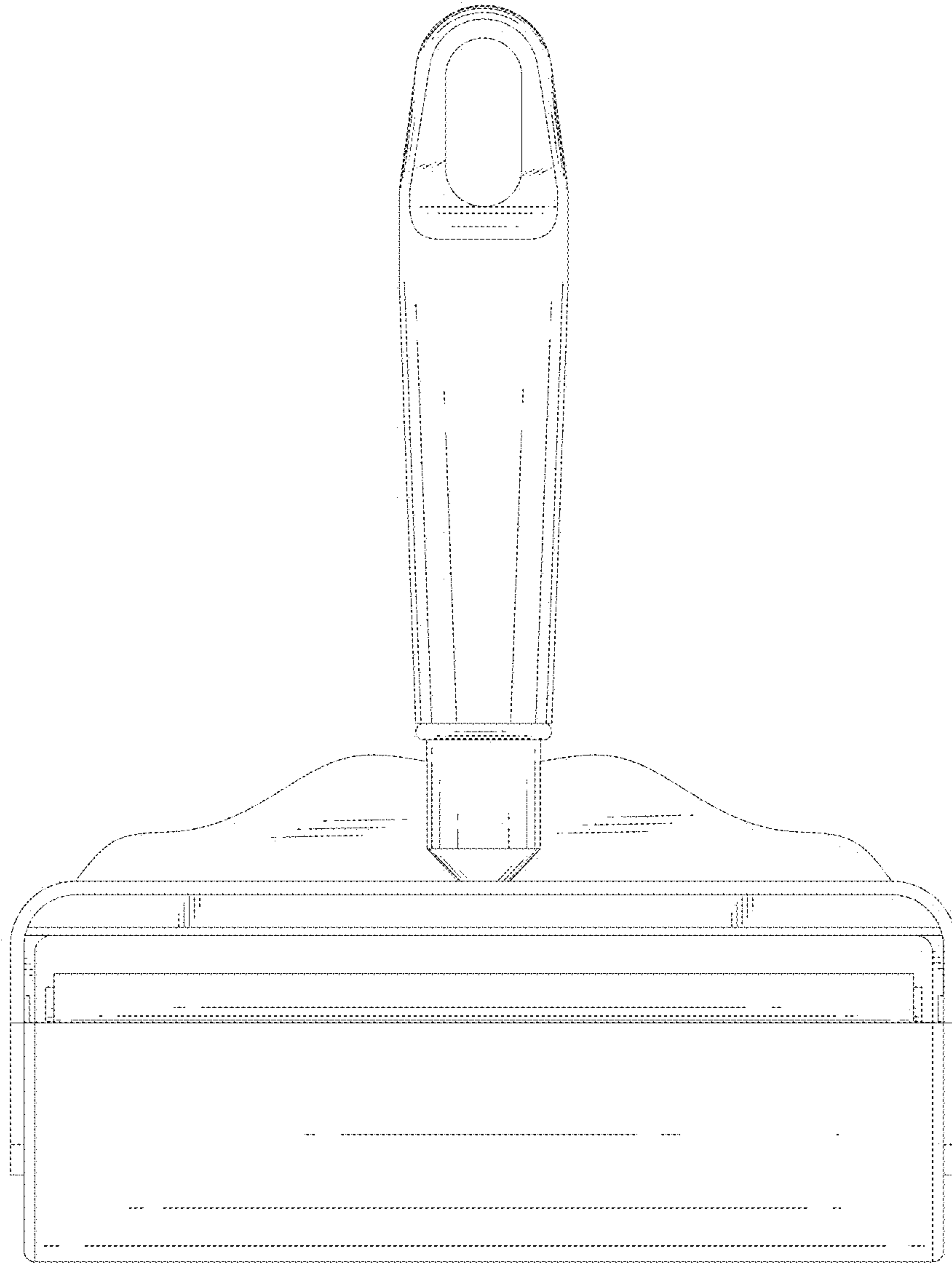


FIG. 3

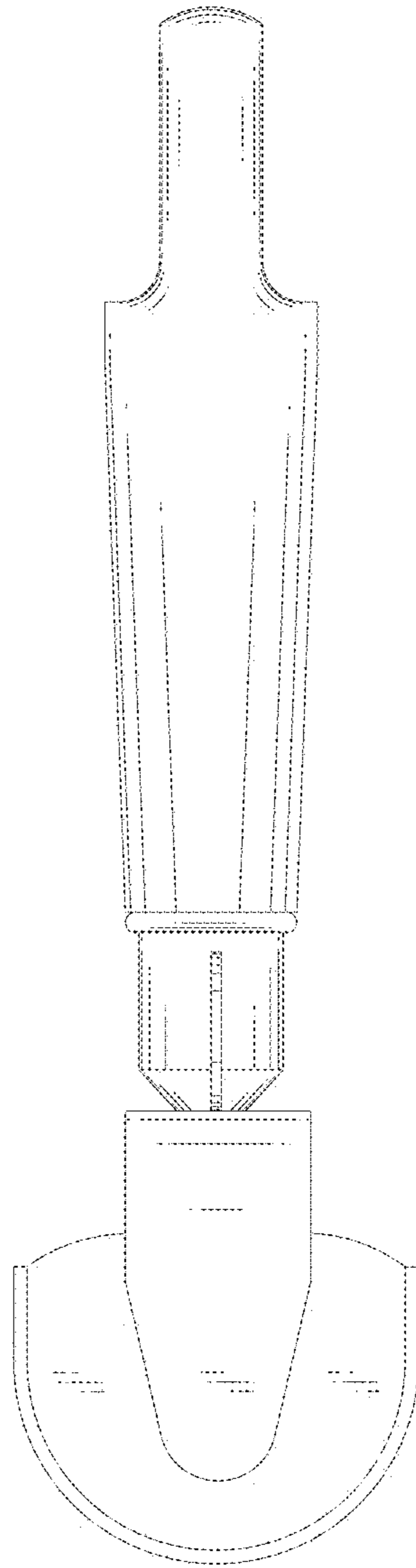


FIG.4

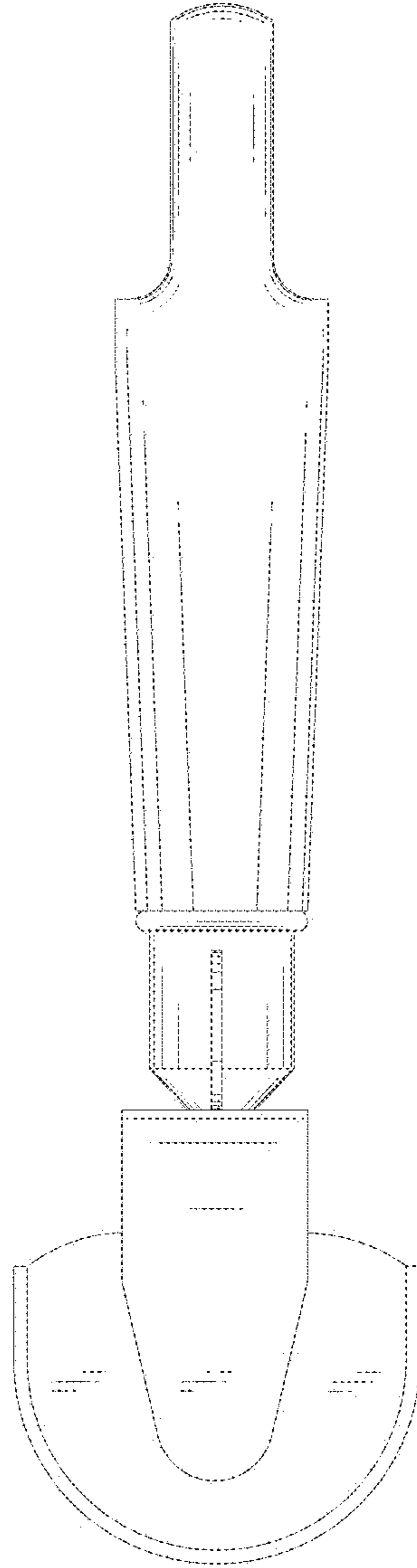


FIG. 5

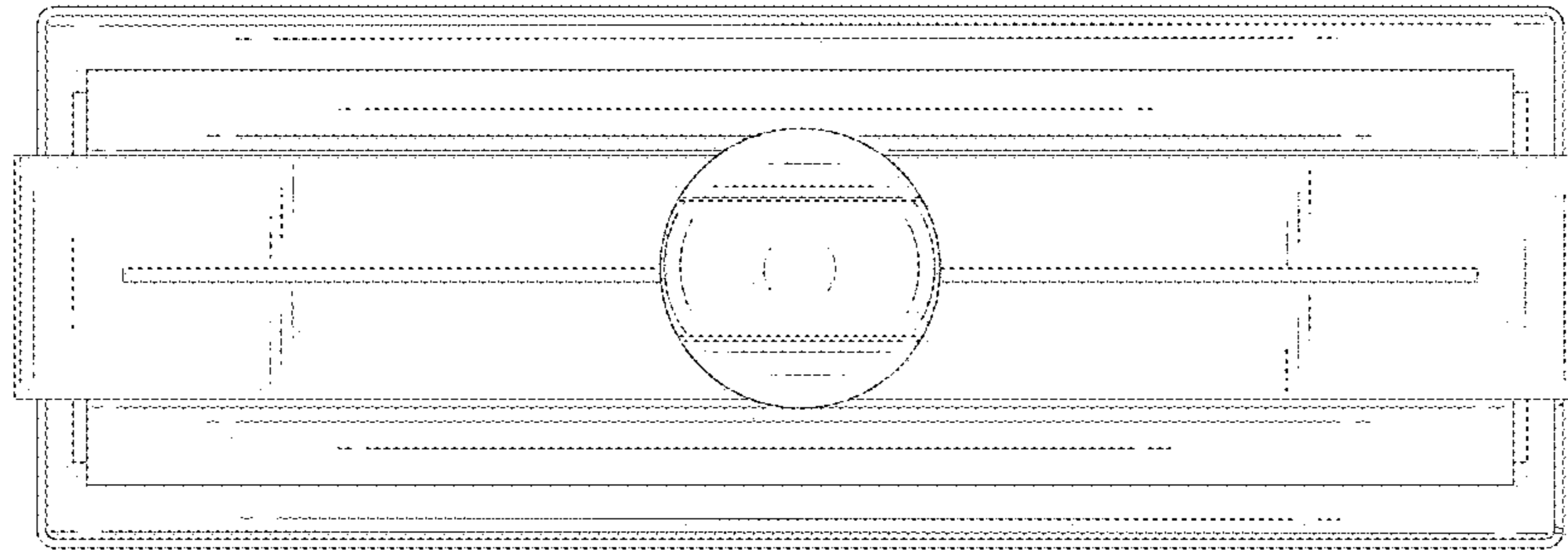


FIG. 6

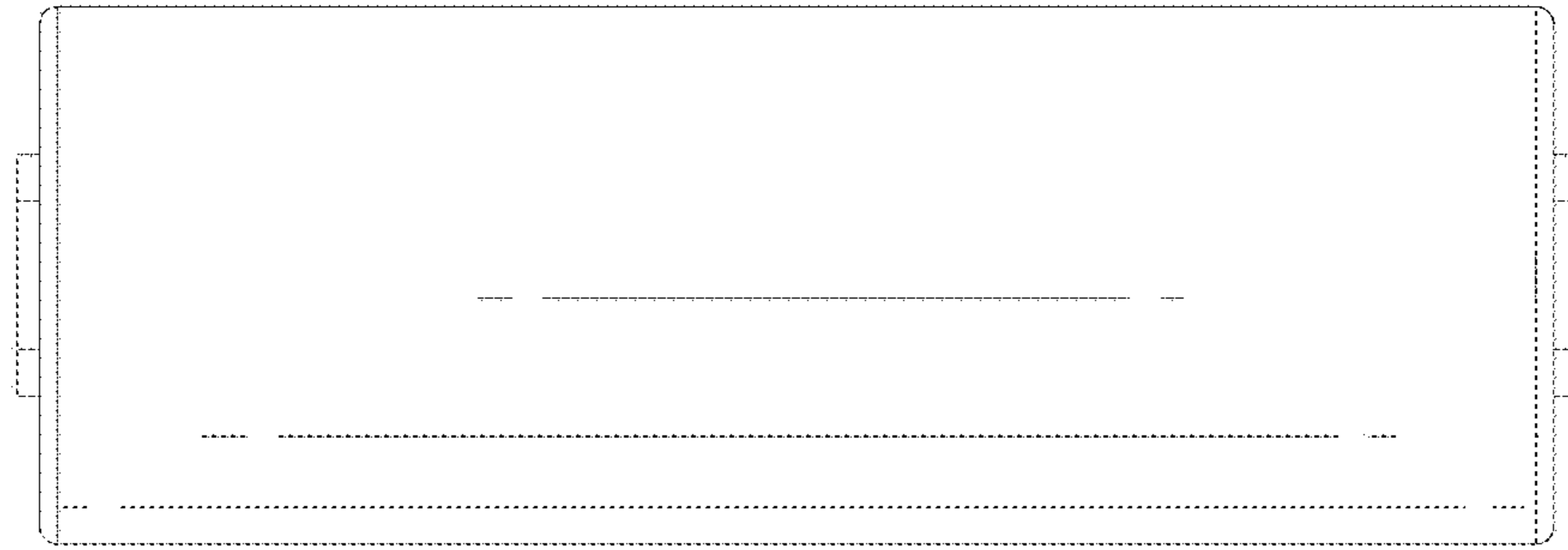


FIG. 7

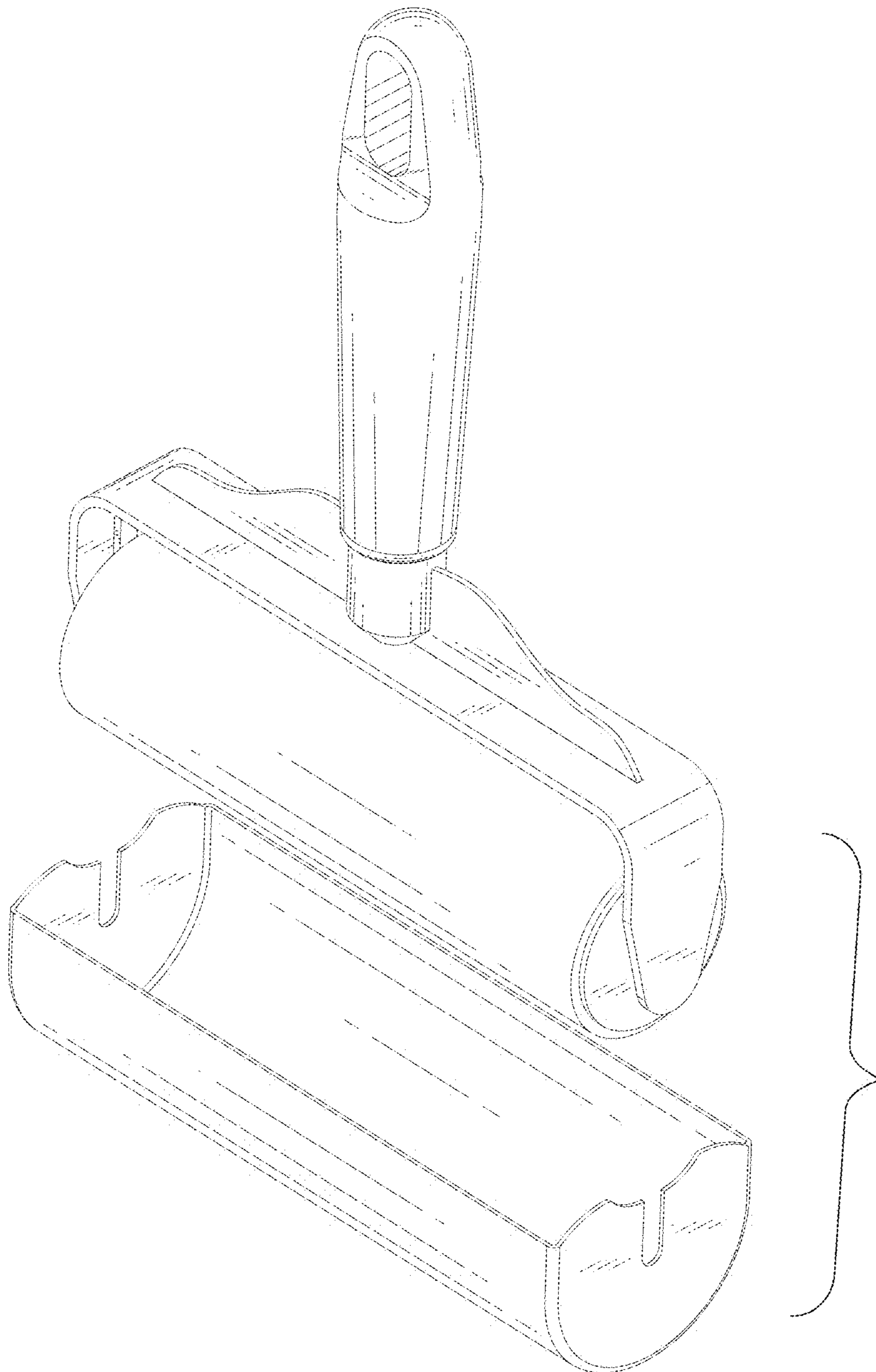


FIG. 8