



US00D970224S

(12) **United States Design Patent** (10) **Patent No.:** **US D970,224 S**  
**Luo** (45) **Date of Patent:** **\*\* Nov. 22, 2022**

(54) **DISH BRUSH HANDLE**  
(71) Applicant: **Xiaoqun Luo**, Hunan (CN)  
(72) Inventor: **Xiaoqun Luo**, Hunan (CN)  
(\*\*) Term: **15 Years**

D841,917 S \* 2/2019 Renner ..... D32/45  
D869,167 S \* 12/2019 Tschopp ..... D4/138  
D912,918 S \* 3/2021 Salvador ..... D32/45  
D930,308 S \* 9/2021 Yuan ..... D32/45  
D930,987 S 9/2021 Zeng  
2004/0105715 A1\* 6/2004 Spelman ..... A46B 11/0013  
401/6

(Continued)

(21) Appl. No.: **29/849,398**  
(22) Filed: **Aug. 10, 2022**  
(51) **LOC (13) Cl.** ..... **04-01**  
(52) **U.S. Cl.**  
USPC ..... **D4/114; D32/45; D4/138**  
(58) **Field of Classification Search**  
USPC ..... D4/114–115, 116–118, 121–122,  
D4/127–128, 130–135, 136–138, 120,  
D4/129; D32/40, 42, 45, 46, 51  
CPC ..... A46B 11/0006; A46B 11/001; A46B  
11/0062; A46B 9/02; A46B 5/02; A47L  
17/04; A47L 17/08  
See application file for complete search history.

OTHER PUBLICATIONS

Fieldworks Dish Scrub Brush . . . [online]. Date of first review Apr. 22, 2021. [Retrieved from the Internet Sep. 29, 2022.] <URL: <https://www.walmart.com/ip/Dish-Scrub-Brush-Soap-Wand-Refills-Sponge-Durable-Reusable-Brush-Sink-Pot-Kitchen-Cleaning-Including1-Handle-3-Replacement-Sponge-Head/737663504> >.\*

Primary Examiner — Rebekah A Caruso

(57) **CLAIM**

The ornamental design for a dish brush handle, as shown and described.

**DESCRIPTION**

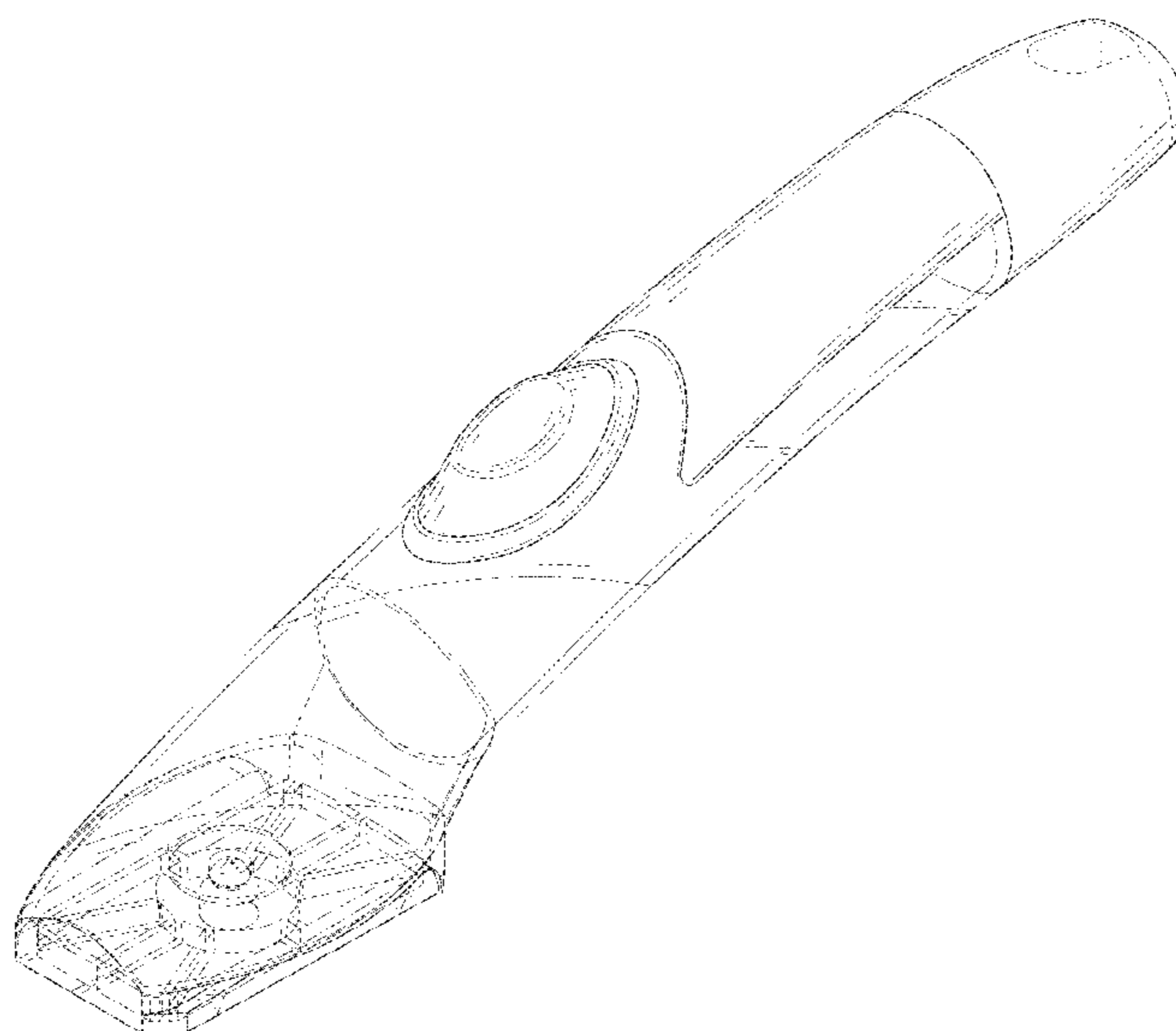
(56) **References Cited**

U.S. PATENT DOCUMENTS

D394,331 S \* 5/1998 Price ..... D32/45  
6,425,701 B1 \* 7/2002 Jacobs ..... A46B 11/0013  
401/206  
D493,962 S \* 8/2004 Dotterman ..... D32/45  
7,040,830 B2 \* 5/2006 Kliegman ..... A46B 11/0013  
401/187  
D554,314 S \* 10/2007 Kubes ..... D32/45  
D565,846 S \* 4/2008 Holcomb ..... D4/118  
D606,269 S \* 12/2009 Treeby ..... D32/40  
D685,549 S \* 7/2013 Wong ..... D32/40  
D690,481 S \* 9/2013 Roehm ..... D32/45  
9,408,521 B2 \* 8/2016 Molinet ..... A47L 17/00  
D770,116 S \* 10/2016 Neumann ..... D32/45  
D770,117 S \* 10/2016 Neumann ..... D32/45  
D770,118 S \* 10/2016 Neumann ..... D32/45  
D770,712 S \* 11/2016 Neumann ..... D32/45  
D777,447 S \* 1/2017 Libman ..... D4/114  
D828,969 S \* 9/2018 Brady ..... D32/40

FIG. 1 is a front, top perspective view of a dish brush handle, showing my new design;  
FIG. 2 is a rear, bottom perspective view thereof;  
FIG. 3 is a front elevation view thereof;  
FIG. 4 is a rear elevation view thereof;  
FIG. 5 is a left side elevation view thereof;  
FIG. 6 is a right side elevation view thereof;  
FIG. 7 is a top plan view thereof;  
FIG. 8 is a bottom plan view thereof; and,  
FIG. 9 is another perspective view thereof, shown in a using position.  
The broken lines in the figures illustrate portions of the dish brush handle that form no part of the claimed design. The broken lines showing of a brush head in FIG. 9 depict environmental structure that form no part of the claimed design.

**1 Claim, 9 Drawing Sheets**



(56)

**References Cited**

U.S. PATENT DOCUMENTS

2005/0069375 A1\* 3/2005 Kliegman ..... A47L 17/04  
401/185  
2016/0000213 A1\* 1/2016 Neumann ..... A46B 11/001  
401/263  
2020/0196831 A1\* 6/2020 Renner ..... A47L 17/04  
2021/0186301 A1\* 6/2021 Chaffee ..... A47L 13/17  
2022/0287446 A1\* 9/2022 Burns ..... A46B 15/0081

\* cited by examiner

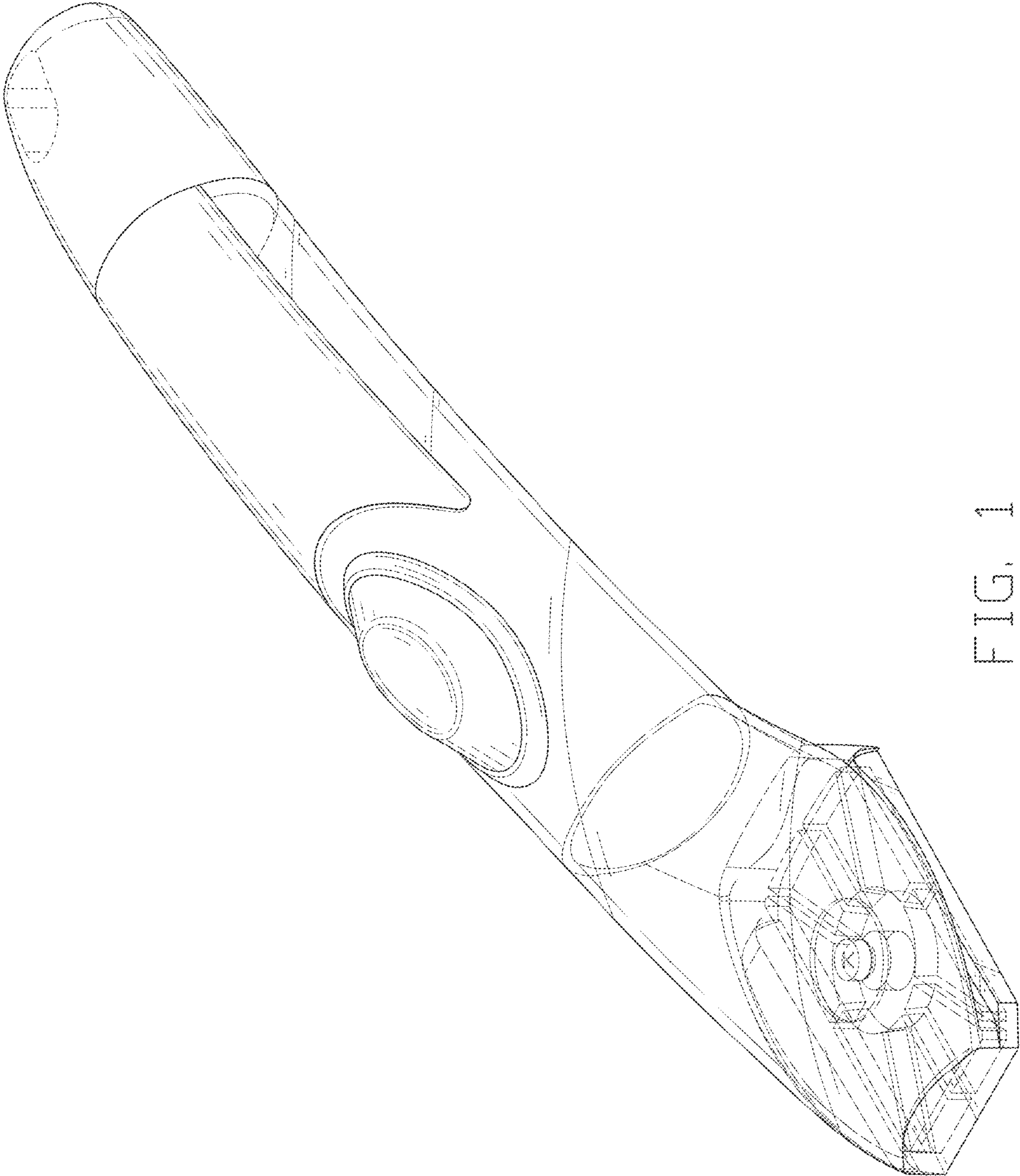


FIG. 1

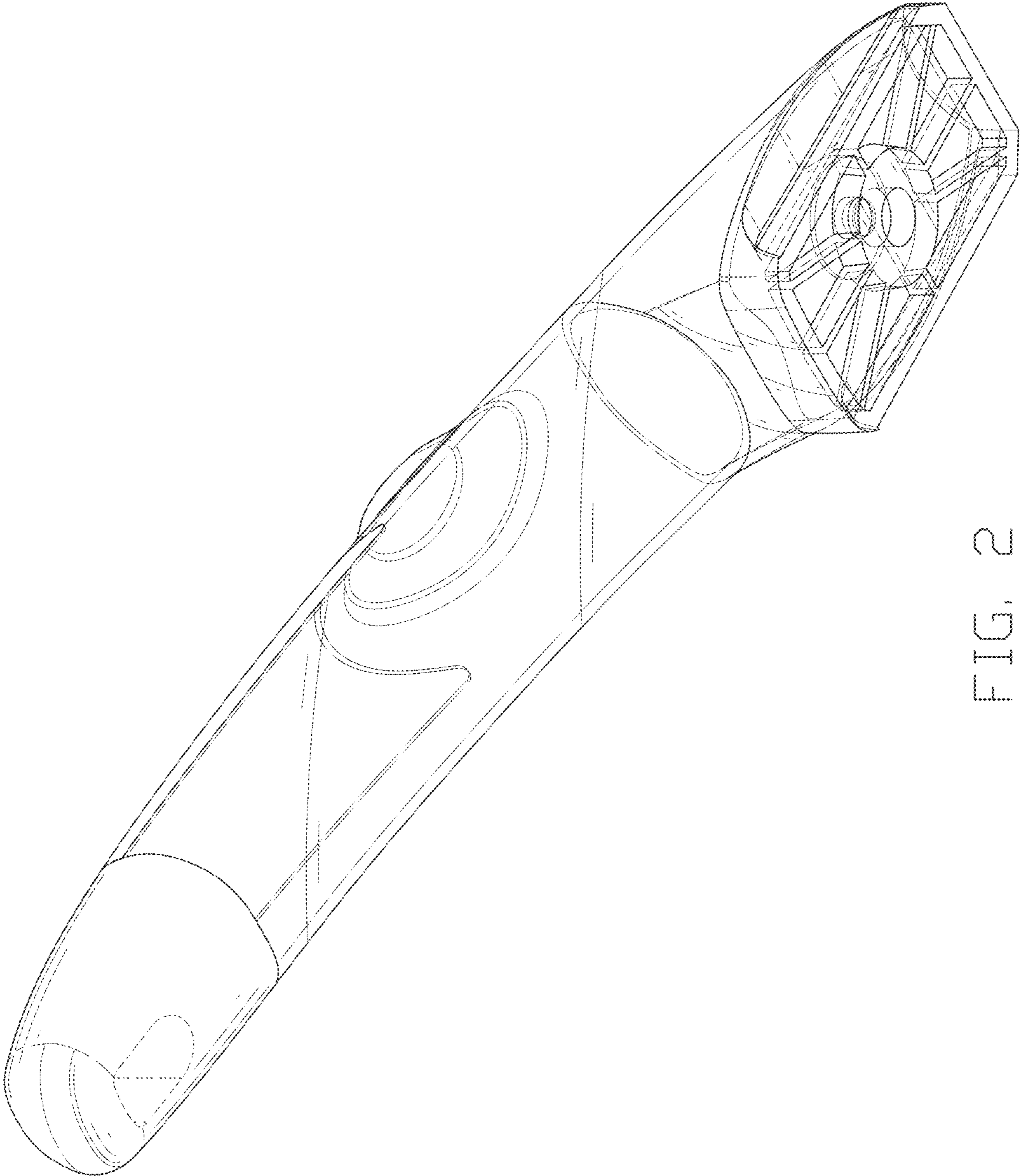


FIG. 2

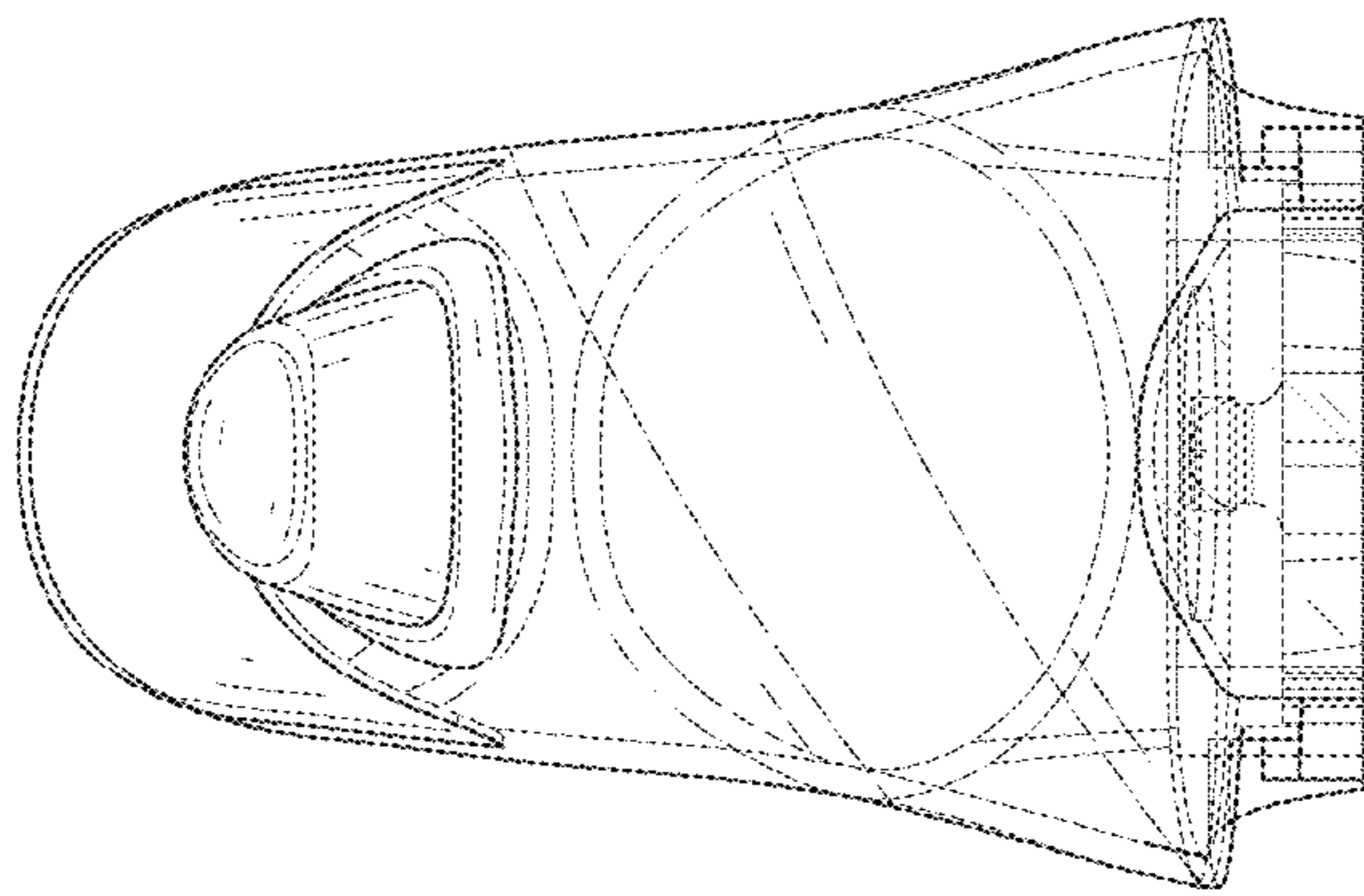


FIG. 3

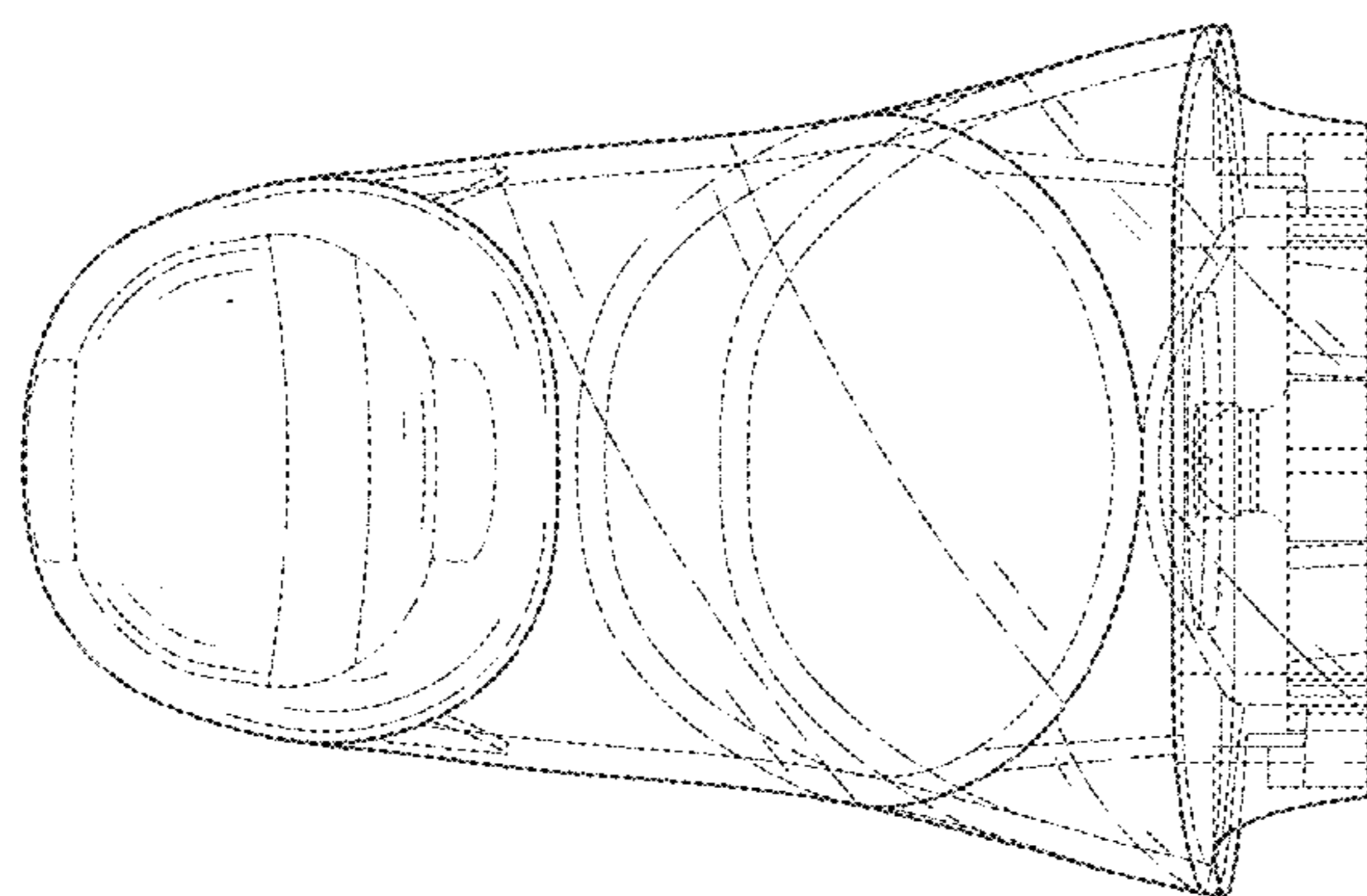


FIG. 4

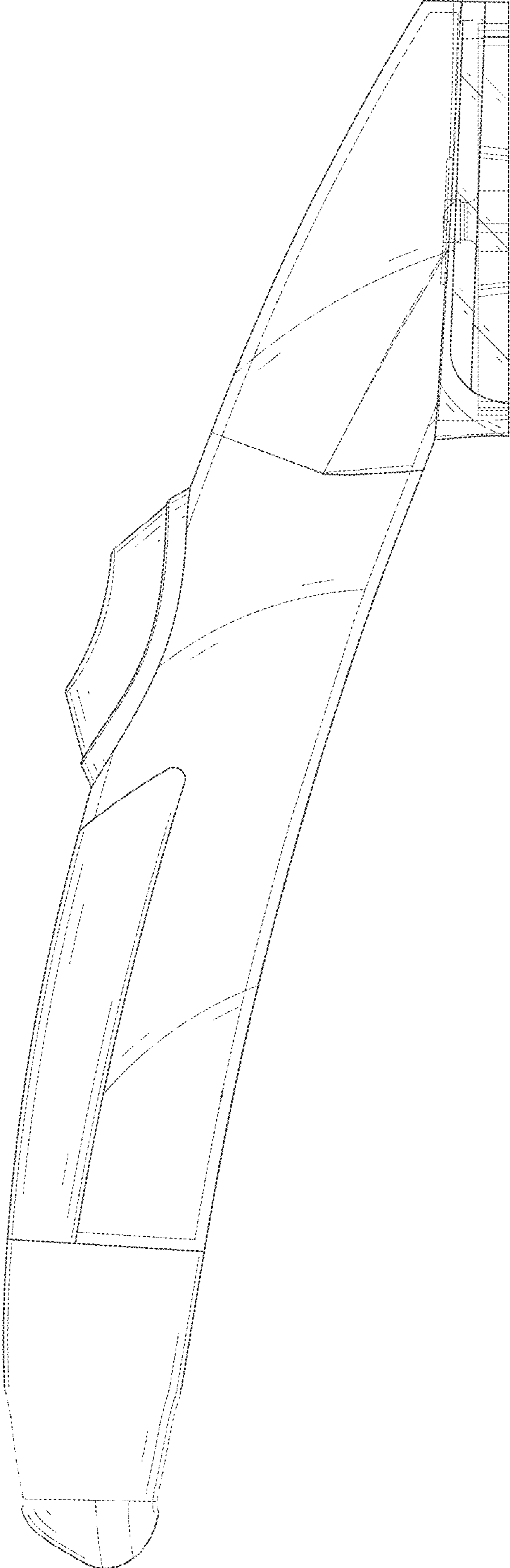


FIG. 5

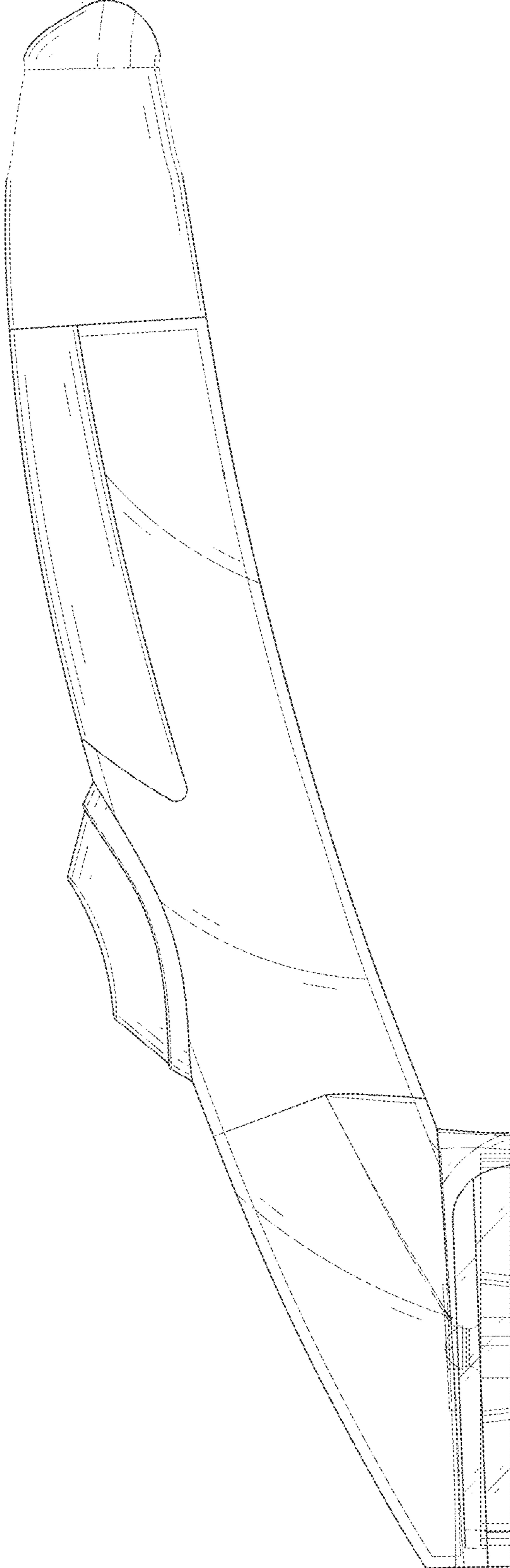


FIG. 6



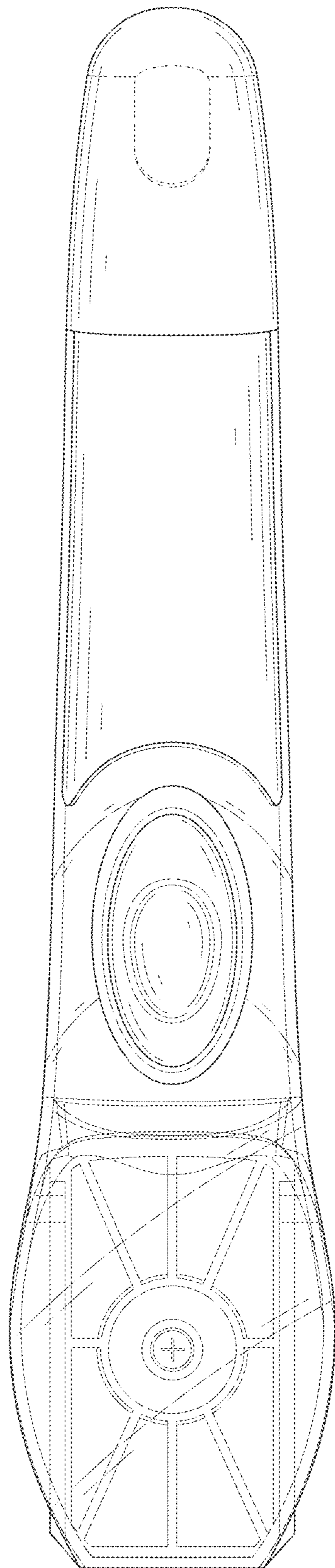


FIG. 7

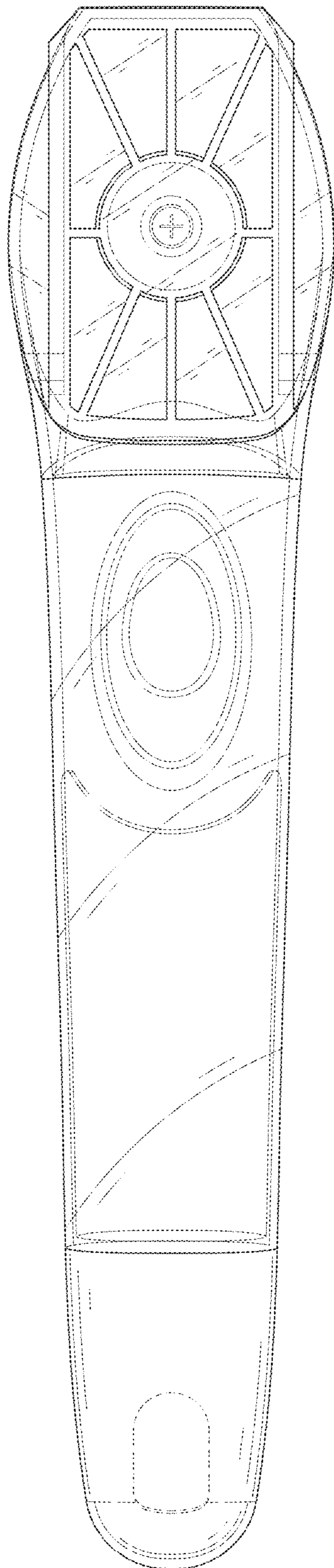


FIG. 8

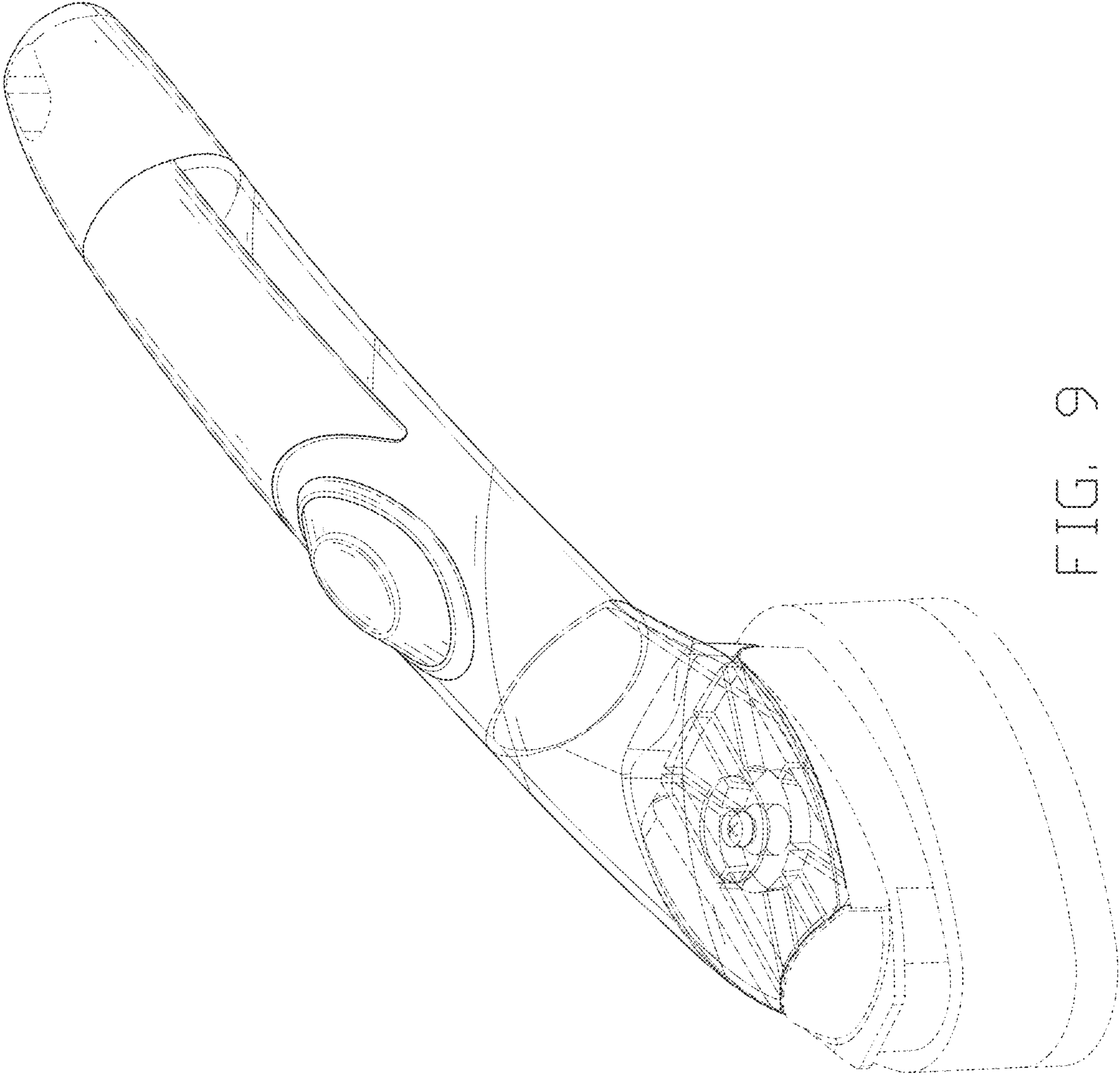


FIG. 9