

US00D970223S

(12) **United States Design Patent** (10) **Patent No.:** **US D970,223 S**
Huang (45) **Date of Patent:** **** Nov. 22, 2022**

(54) **STORAGE BOX**

FOREIGN PATENT DOCUMENTS

(71) Applicant: **Blue Hills & Co. LLC**, Taunton, MA (US)

RU 00121144 * 8/2020

(72) Inventor: **Lei Huang**, Shanghai (CN)

OTHER PUBLICATIONS

(**) Term: **15 Years**

SpaceAid—Kitchen drawer, bamboo bag organizer, first available Sep. 2, 2021, amazon.com [online], [site visited Jul. 22, 2022], Available at URL: https://www.amazon.com/SpaceAid-Organizador-compatible-s%C3%A1ndwiches-aperitivos/dp/B09F9KWSXJ?ref_ast_sto_dp&th=1 (Year: 2021).*

(21) Appl. No.: **29/835,190**

Cardboard Fruit Trays, unknown first available date, cnvistapak.com [online], [site visited Jul. 22, 2022], Available at URL: <https://www.cnvistapak.com/products/519-Cardboard-Fruit-Trays.html> (Year: 2022).*

(22) Filed: **Apr. 16, 2022**

(51) **LOC (13) Cl.** **03-01**

(52) **U.S. Cl.**

USPC **D3/314**; D9/432

(58) **Field of Classification Search**

USPC D3/304–314; D6/513–515, 518, 520, D6/553; D7/637–641; D9/432

CPC . B65D 1/00; B65D 1/22; B65D 21/00; B65D 81/3813

See application file for complete search history.

* cited by examiner

Primary Examiner — Jeffrey D Asch

Assistant Examiner — Caitlin A Laverty

(74) *Attorney, Agent, or Firm* — Whitewood Law PLLC

(56) **References Cited**

U.S. PATENT DOCUMENTS

4,082,215	A *	4/1978	Eichenauer	B65D 5/30
					229/149
D260,602	S *	9/1981	O'Donnal	D3/311
D272,289	S *	1/1984	Segura Palenzuela	D3/314
D351,104	S *	10/1994	Kapp	D9/423
D438,792	S *	3/2001	Pero	D9/757
D441,644	S *	5/2001	Pero	D9/432
D455,651	S *	4/2002	Ma	D9/418
D578,883	S *	10/2008	Kisch	D9/432
D918,056	S *	5/2021	Garrison	D9/734
D931,603	S	9/2021	Ding		
D935,774	S	11/2021	Liu		
D948,965	S	4/2022	Guo		
2007/0090172	A1 *	4/2007	Lyon	B65D 5/563
					229/5.84

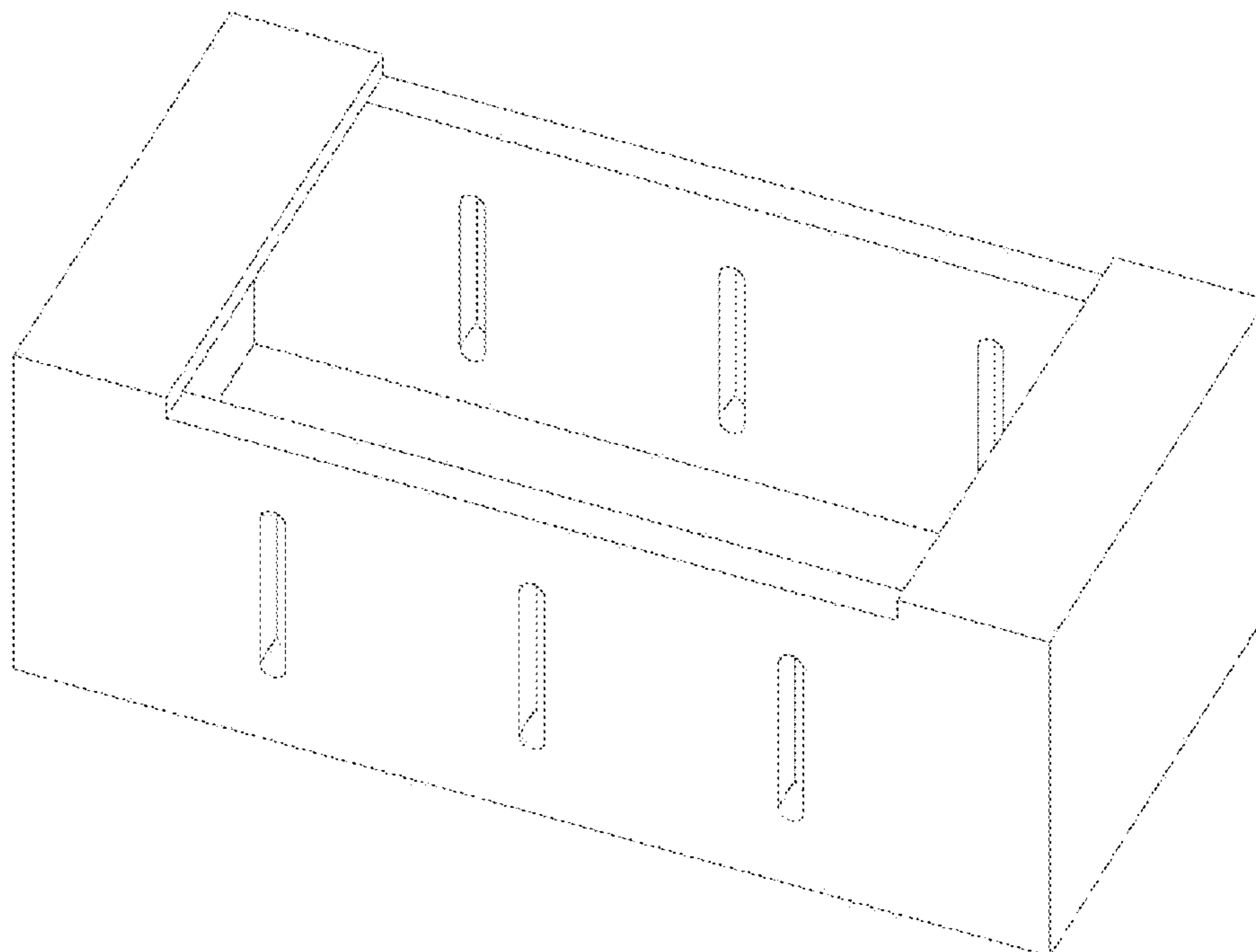
(57) **CLAIM**

The ornamental design for a storage box, as shown.

DESCRIPTION

FIG. 1 is a perspective view of a storage box;
FIG. 2 is a front view thereof;
FIG. 3 is a rear view thereof;
FIG. 4 is a right side view thereof;
FIG. 5 is a left side view thereof;
FIG. 6 is a top view thereof; and,
FIG. 7 is a bottom view thereof.

1 Claim, 4 Drawing Sheets



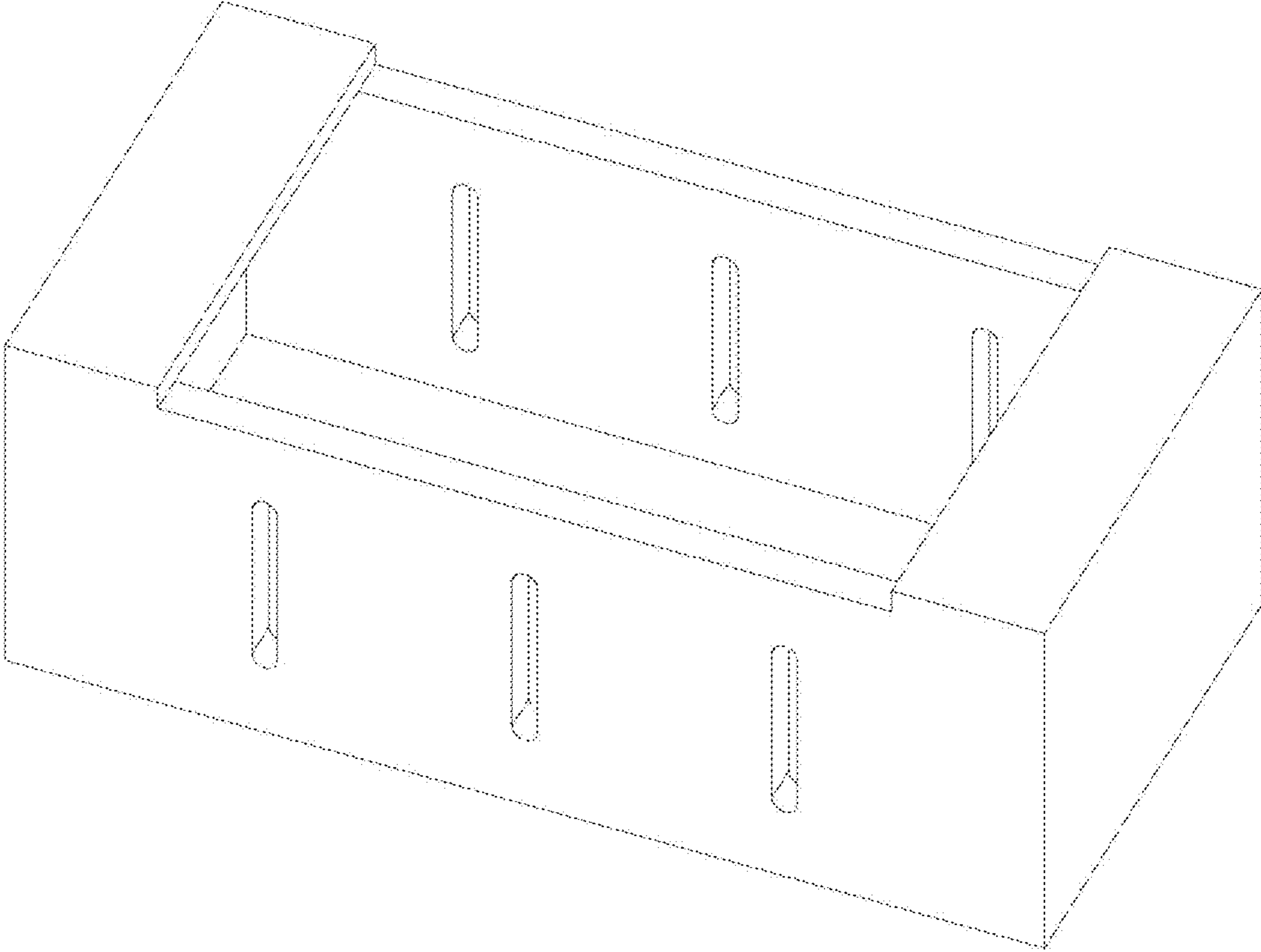


FIG. 1

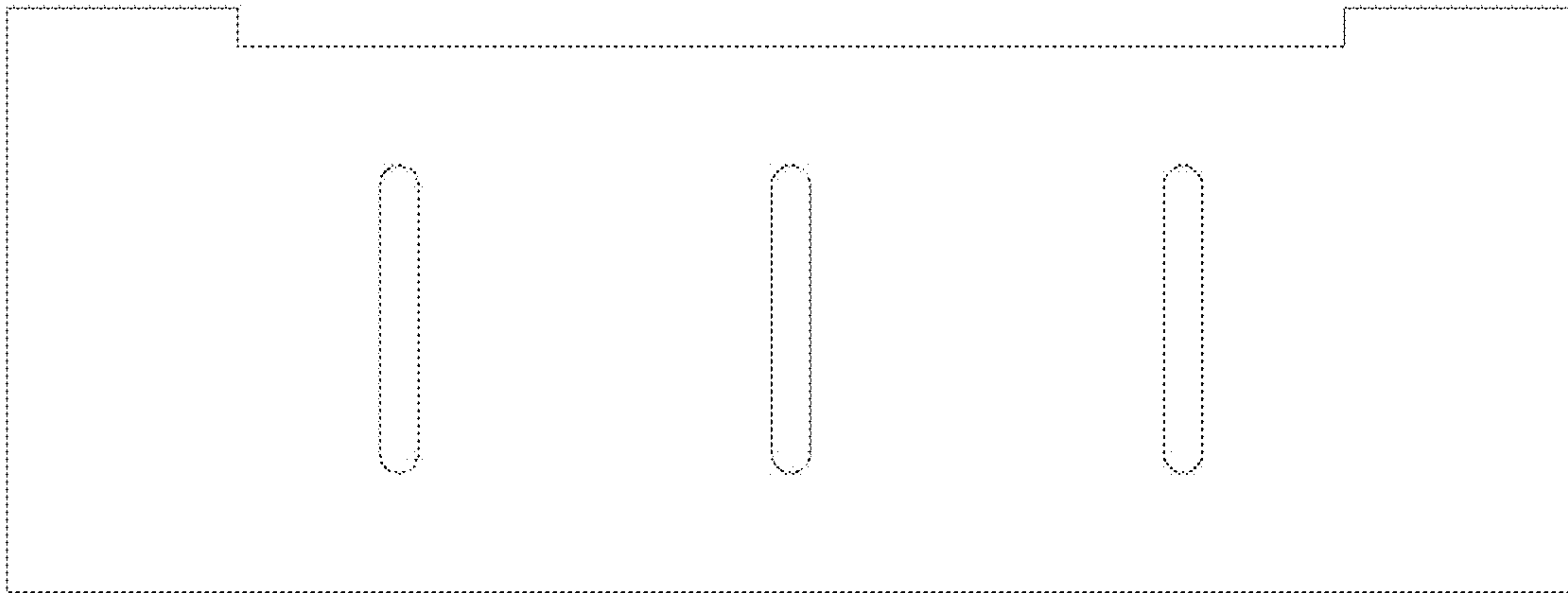


FIG. 2

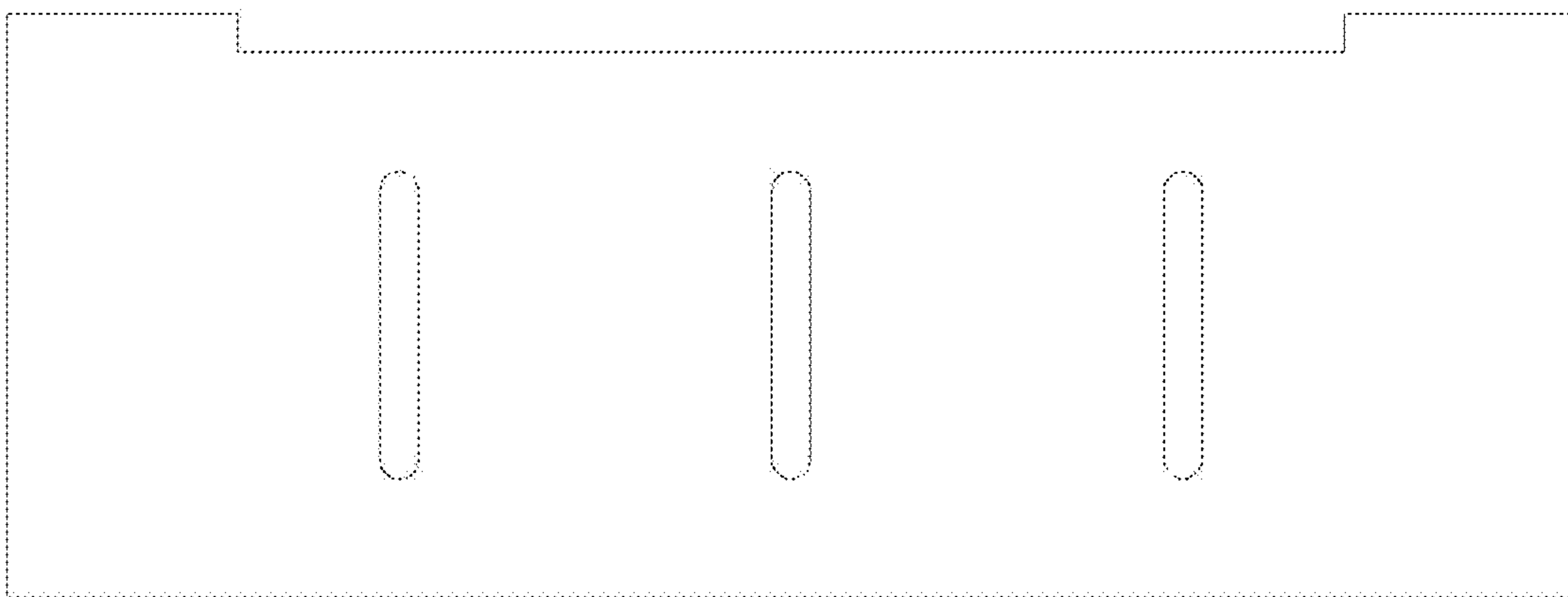


FIG. 3



FIG. 4

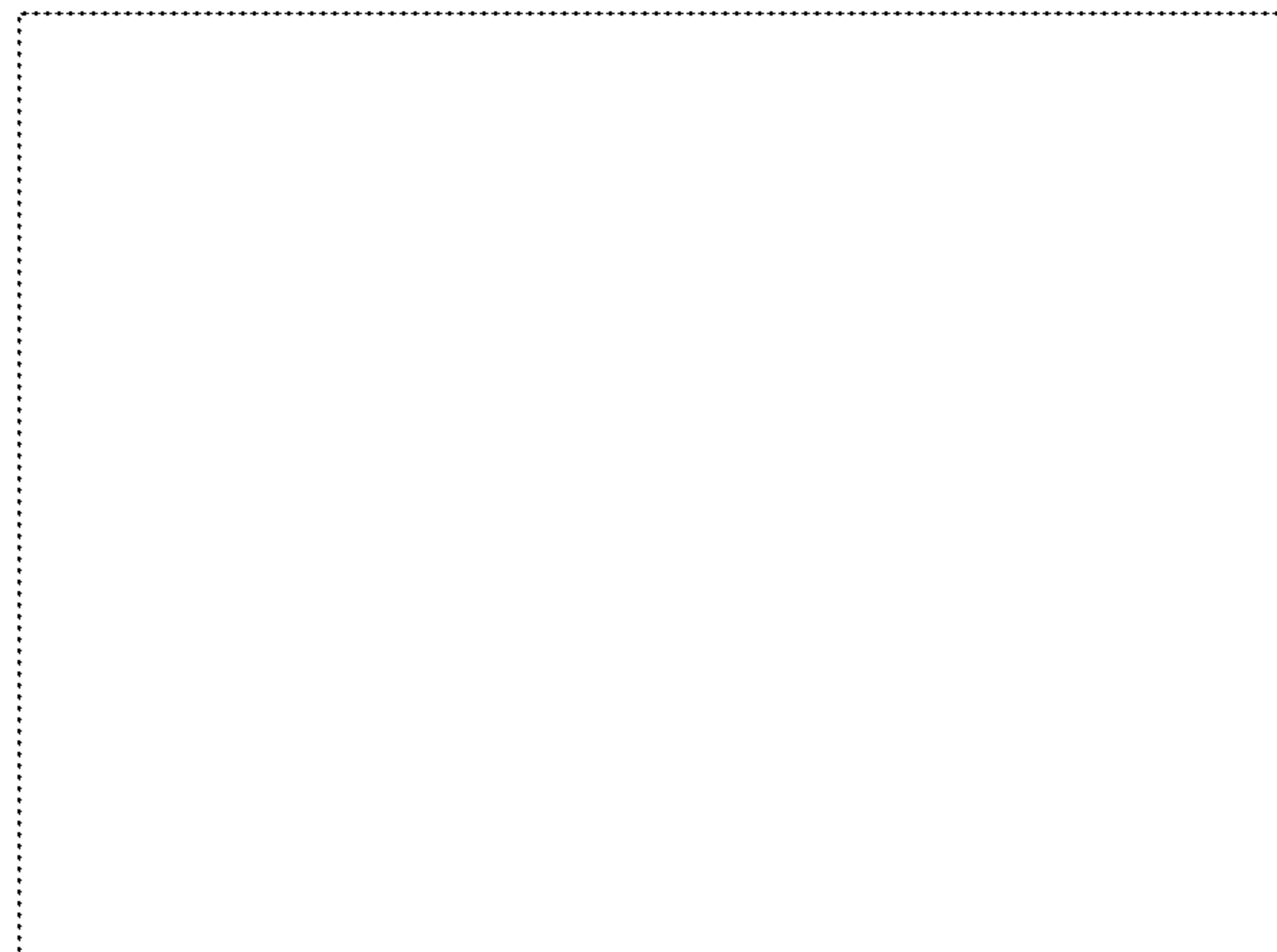


FIG. 5



FIG. 6



FIG. 7