



US00D970222S

(12) **United States Design Patent** (10) **Patent No.:** **US D970,222 S**
Zheng (45) **Date of Patent:** **** Nov. 22, 2022**

(54) **WALL STORAGE BASKET**

FOREIGN PATENT DOCUMENTS

(71) Applicant: **Yaping Zheng**, Zhejiang (CN)

CN 304978879 * 1/2019

(72) Inventor: **Yaping Zheng**, Zhejiang (CN)

OTHER PUBLICATIONS

(**) Term: **15 Years**

Modern Home 10' Cabinet Wire Hanging Basket Shelf, first available Jan. 16, 2015, amazon.com [online], [site visited Sep. 27, 2022], Available at URL: <https://www.amazon.com/Modern-Cabinet-Hanging-Basket-Shelf/dp/B00SCEQ6BS> (Year: 2015).*

(21) Appl. No.: **29/839,326**

Nxconsu 2Pack Under Shelf Storage Cabinet Hanging Basket Organizer, first available Jan. 5, 2022, amazon.com [online], [site visited Sep. 27, 2022], Available at URL: <https://www.amazon.com/dp/B09PRFMY5J?th=1> (Year: 2022).*

(22) Filed: **May 19, 2022**

(30) **Foreign Application Priority Data**

Jan. 8, 2022 (CN) 202230010618.1

* cited by examiner

(51) **LOC (13) Cl.** **03-01**

Primary Examiner — Jeffrey D Asch

(52) **U.S. Cl.**

Assistant Examiner — Caitlin A Laverty

USPC **D3/306**; D6/513

(74) *Attorney, Agent, or Firm* — ScienBiziP, P.C.

(58) **Field of Classification Search**

USPC D3/304-315, 319; D6/513

CPC ... B65D 1/00; B65D 1/38; B65D 1/36; B65D 11/14; B65D 11/20; B65D 29/00; B65D 29/04

See application file for complete search history.

(57) **CLAIM**

The ornamental design for a wall storage basket, as shown and described.

DESCRIPTION

(56) **References Cited**

U.S. PATENT DOCUMENTS

D189,995 S *	3/1961	Crane	D3/314
D269,657 S *	7/1983	Taylor	D6/705
D270,963 S *	10/1983	Hawes	220/485
D305,272 S *	12/1989	Remmers	D6/513
D508,167 S *	8/2005	Anderson	D3/306
D577,914 S	10/2008	Babic et al.		
D579,700 S *	11/2008	Ghiorghie	D6/513
D702,439 S *	4/2014	Noll	D3/304
D710,124 S *	8/2014	Goodman	D6/513
9,648,953 B1 *	5/2017	Kuo	A47F 5/01
D835,476 S *	12/2018	Goodman	D7/631
D882,954 S	5/2020	Chiang		
D899,161 S *	10/2020	Xue	D6/683
D932,771 S *	10/2021	Nimgulkar	D3/306
D938,728 S *	12/2021	Xin	D3/306

FIG. 1 is a front, right and top perspective view of a wall storage basket, showing my design.

FIG. 2 is a rear, left and bottom perspective view thereof.

FIG. 3 is a front elevation view thereof.

FIG. 4 is a rear elevation view thereof.

FIG. 5 is a left side elevation view thereof.

FIG. 6 is a right side elevation view thereof.

FIG. 7 is a top plan view thereof.

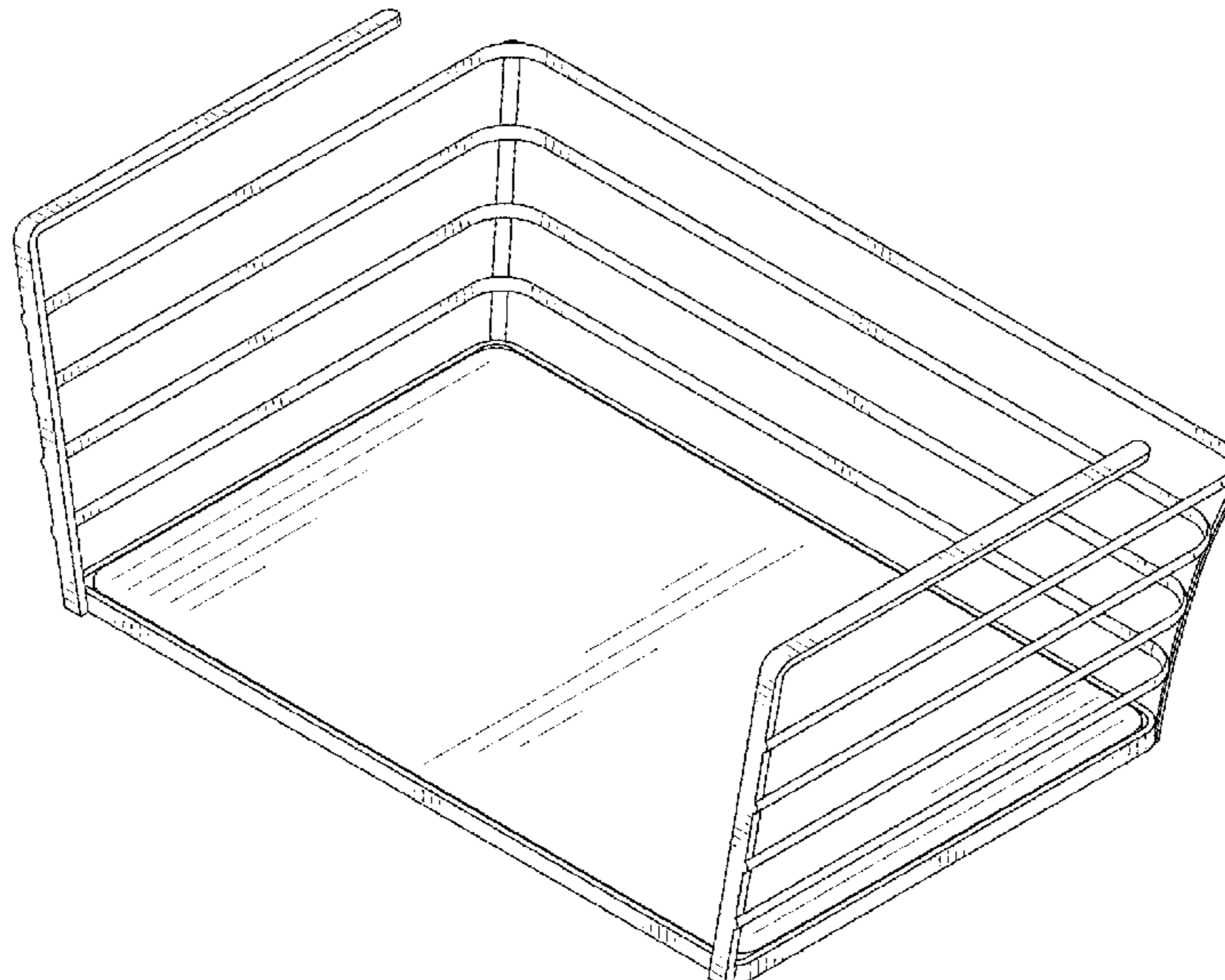
FIG. 8 is a bottom plan view thereof.

FIG. 9 is a perspective view in a first state; and,

FIG. 10 is a perspective view in a second state.

The broken lines shown in the drawings are included for the purpose of illustrating portions of the wall storage basket that form no part of the claimed design.

1 Claim, 10 Drawing Sheets



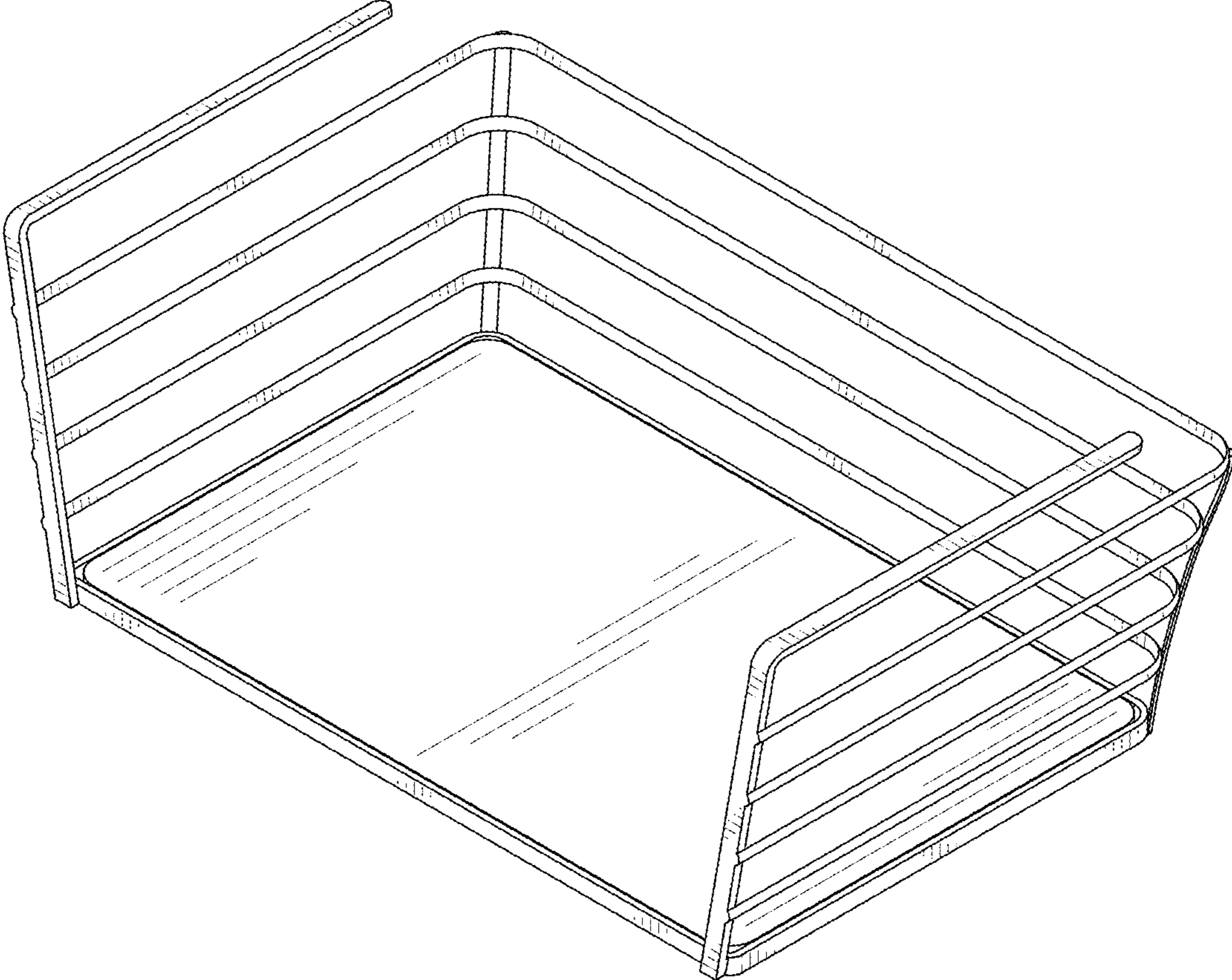


FIG. 1

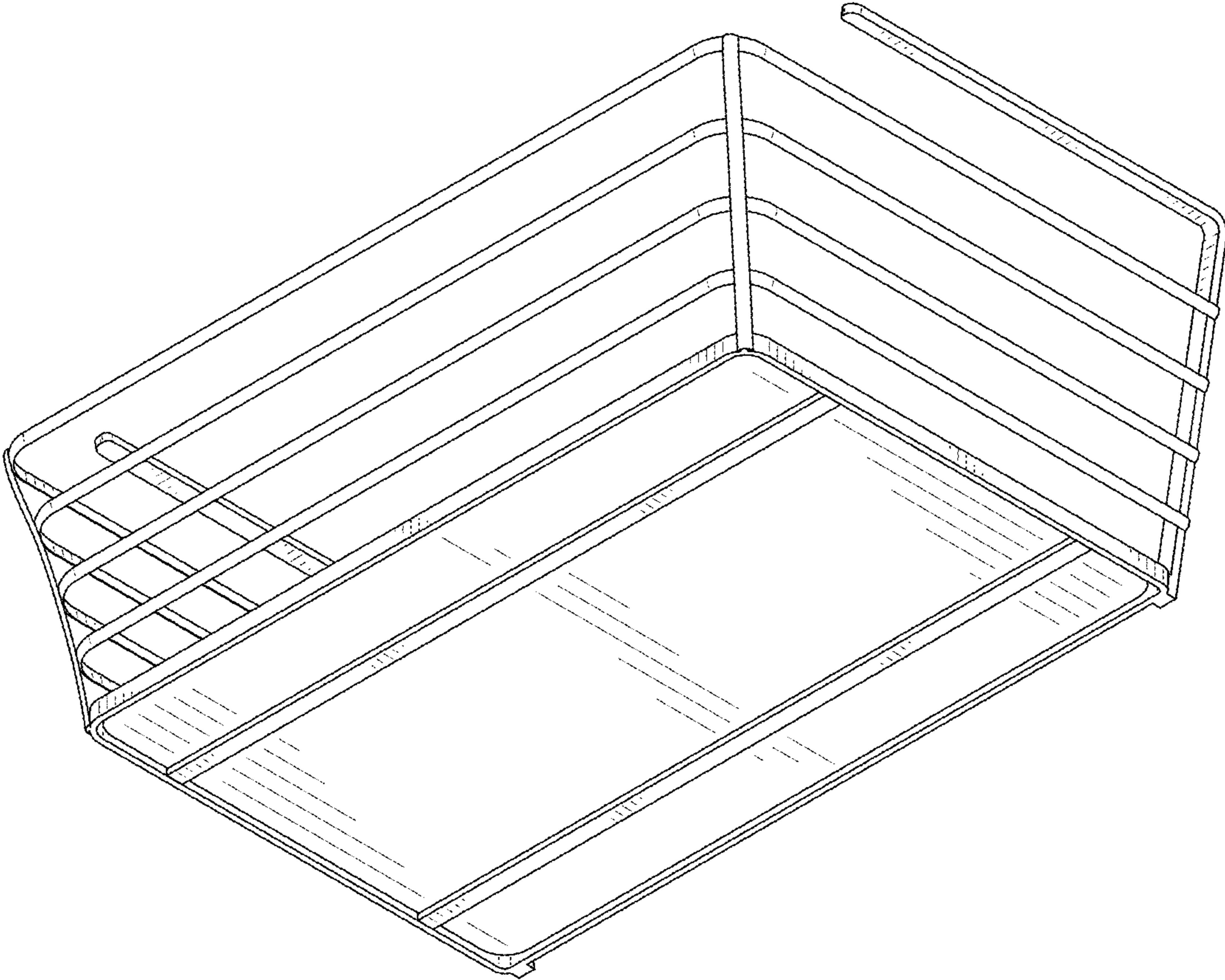


FIG. 2

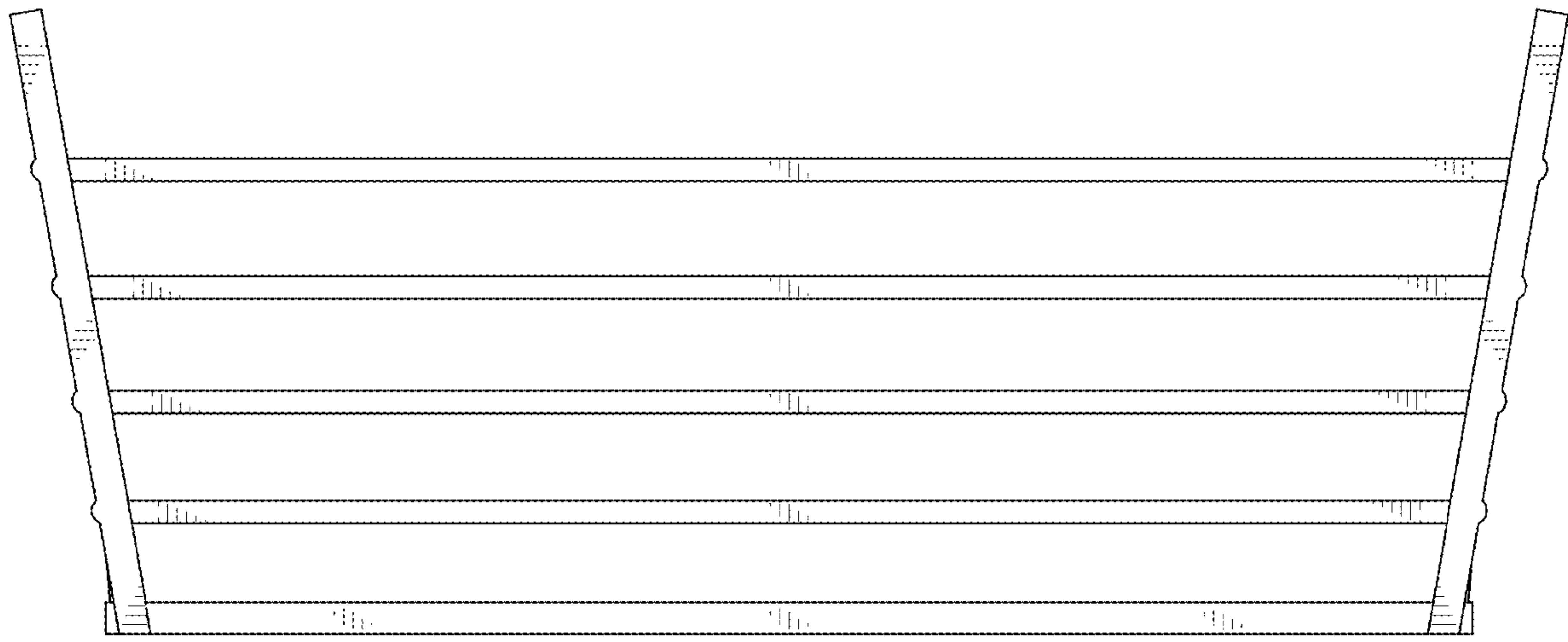


FIG. 3

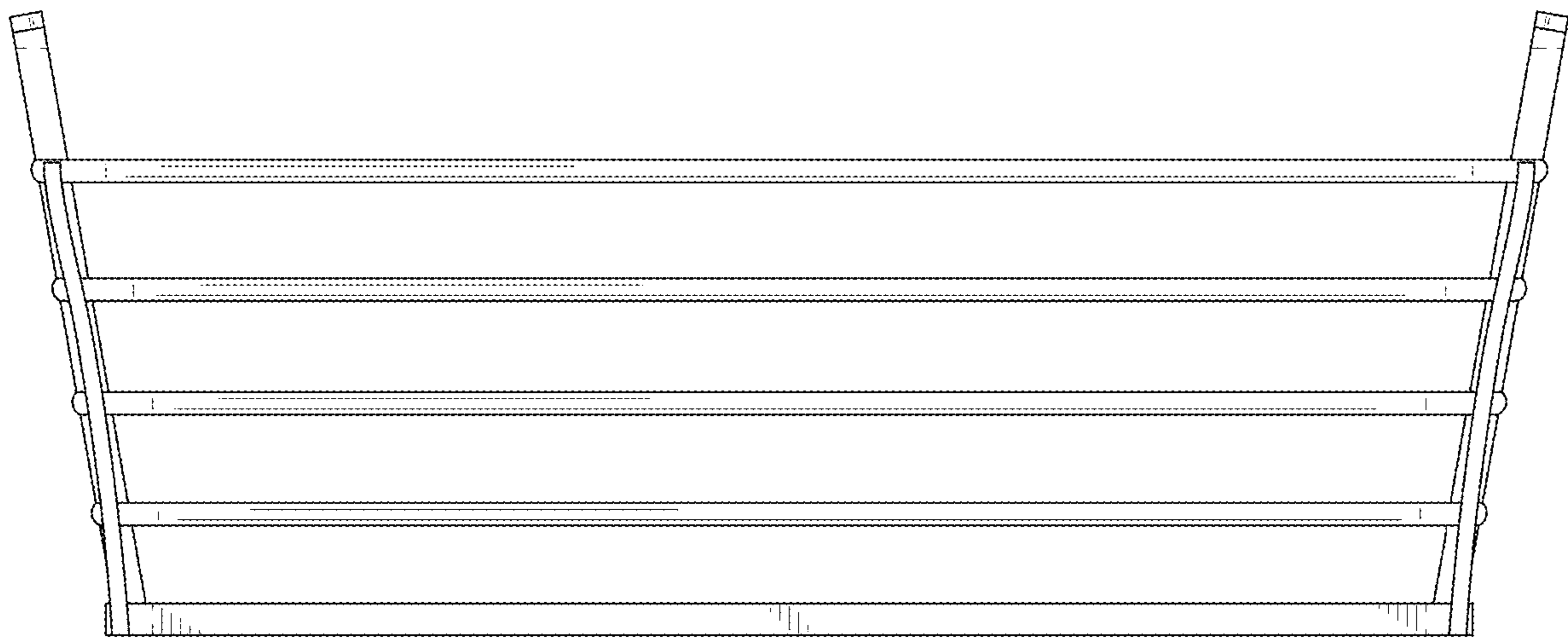


FIG. 4

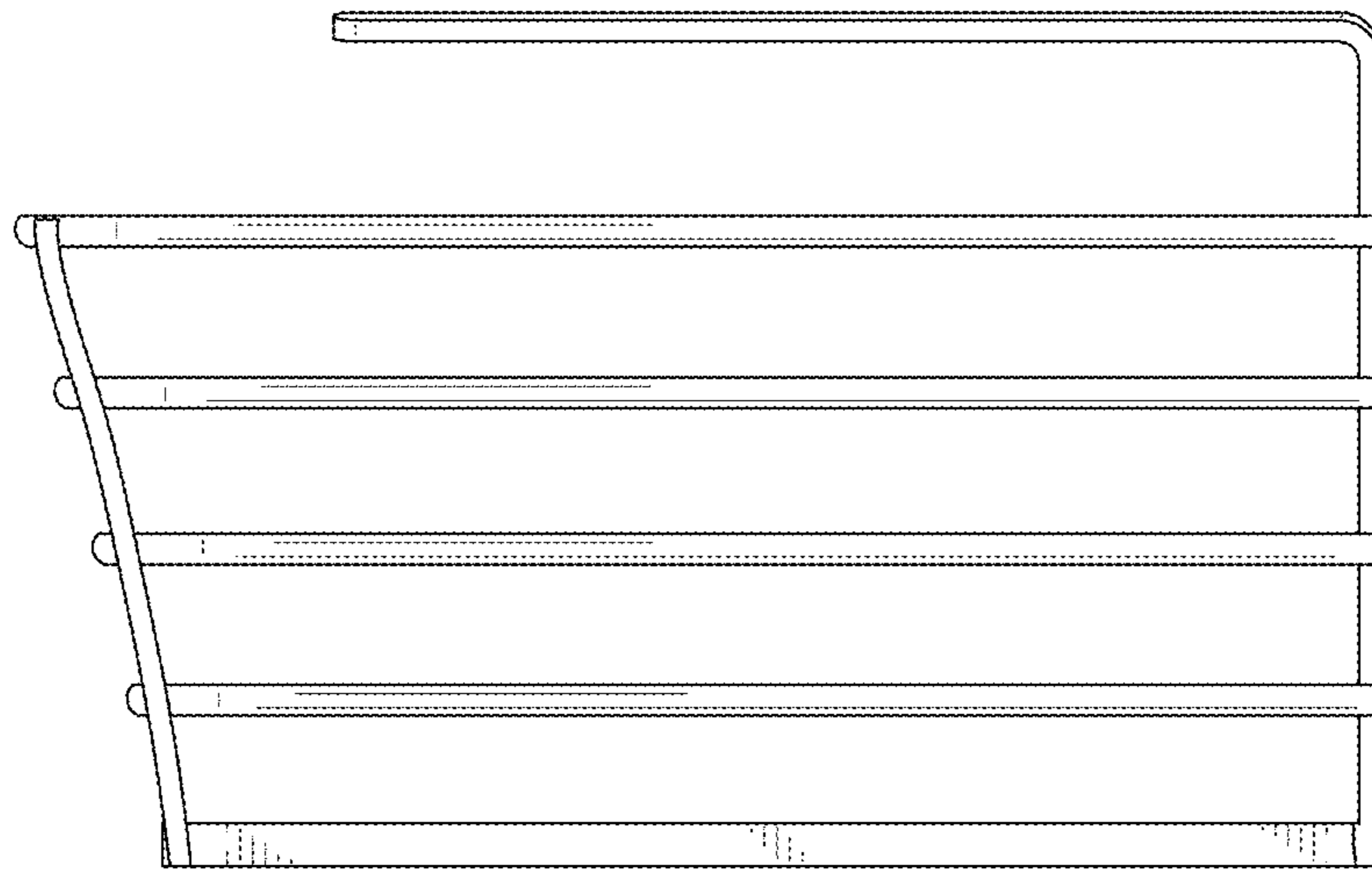


FIG. 5

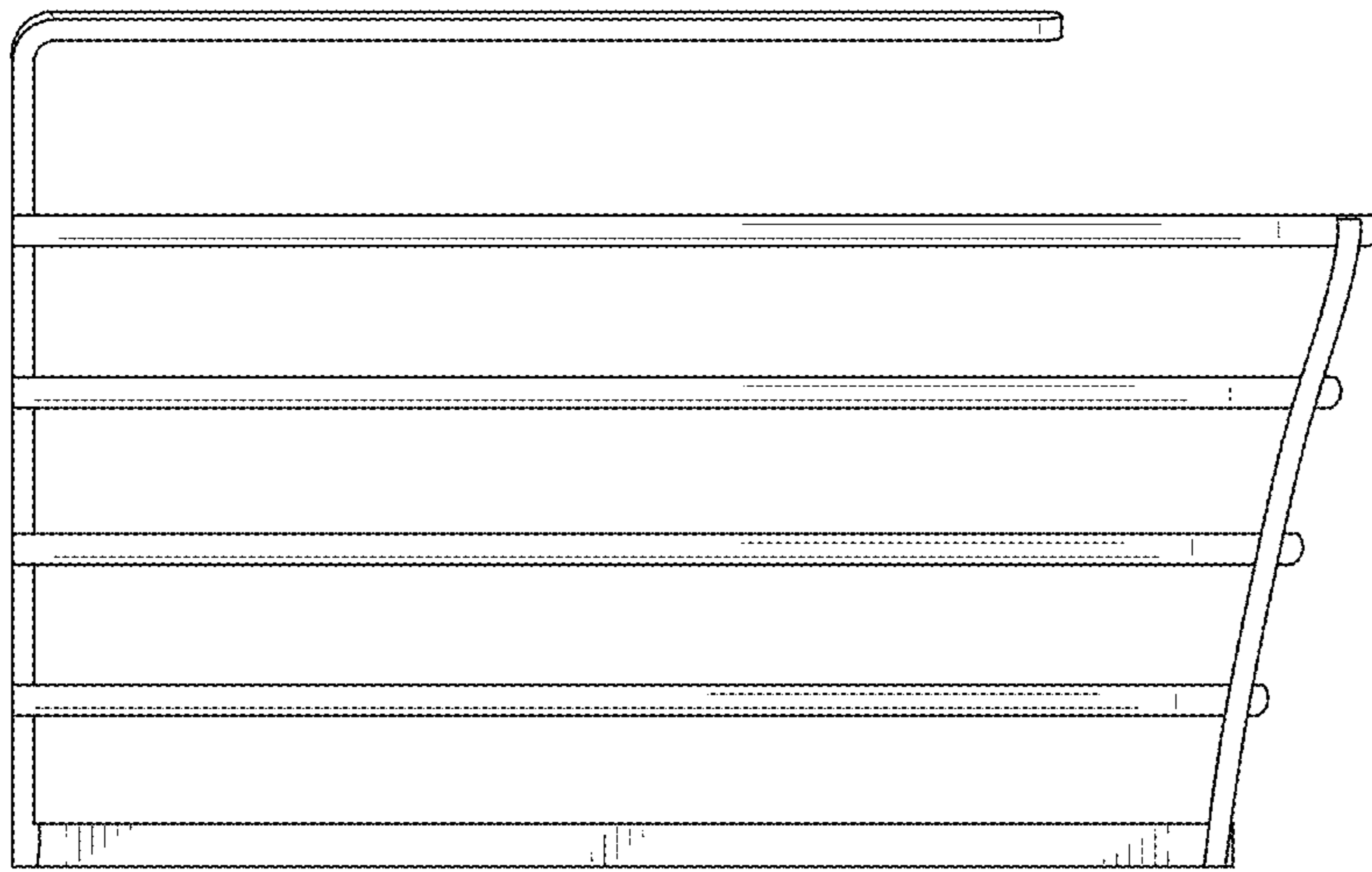


FIG. 6

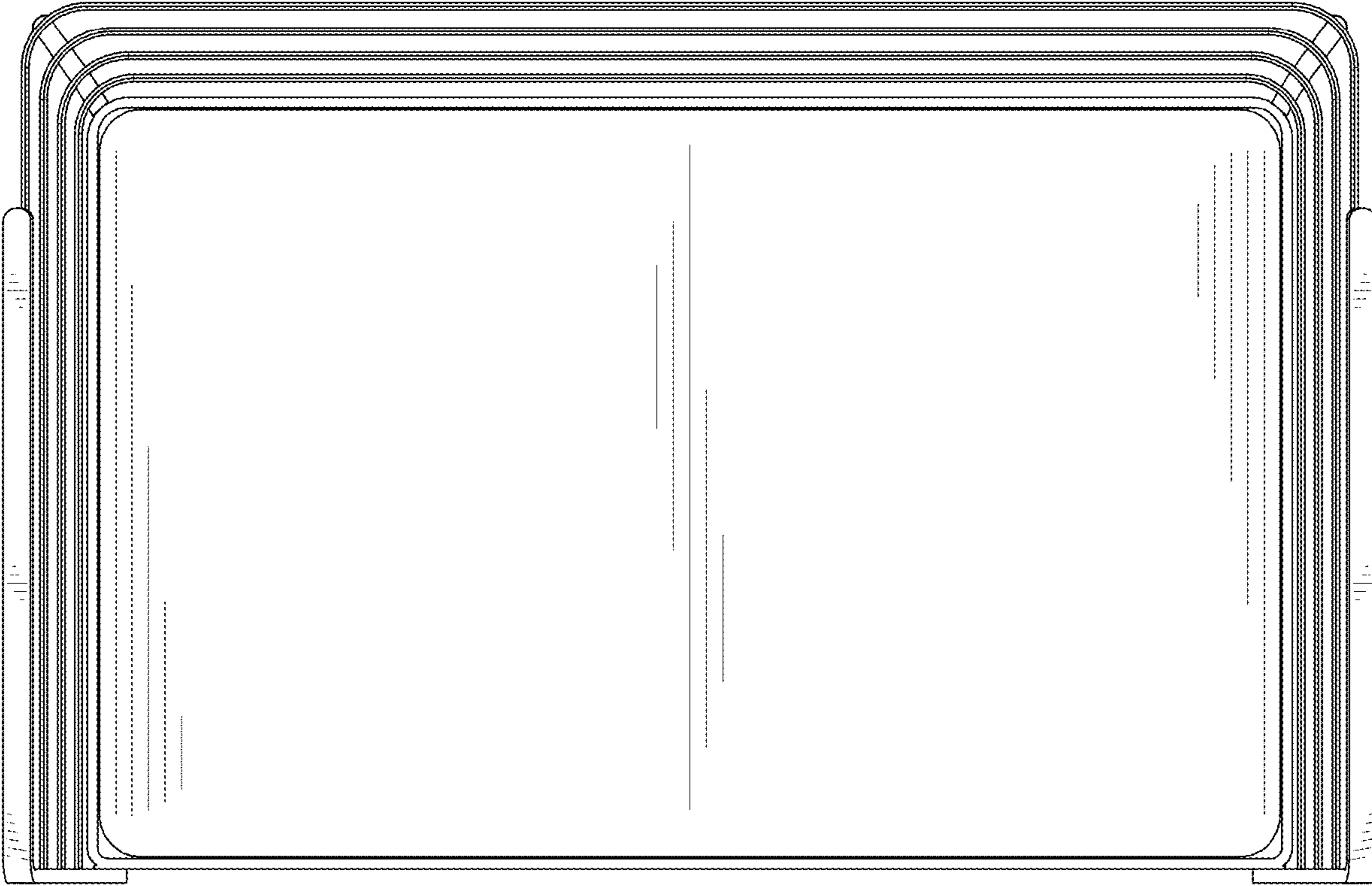


FIG. 7

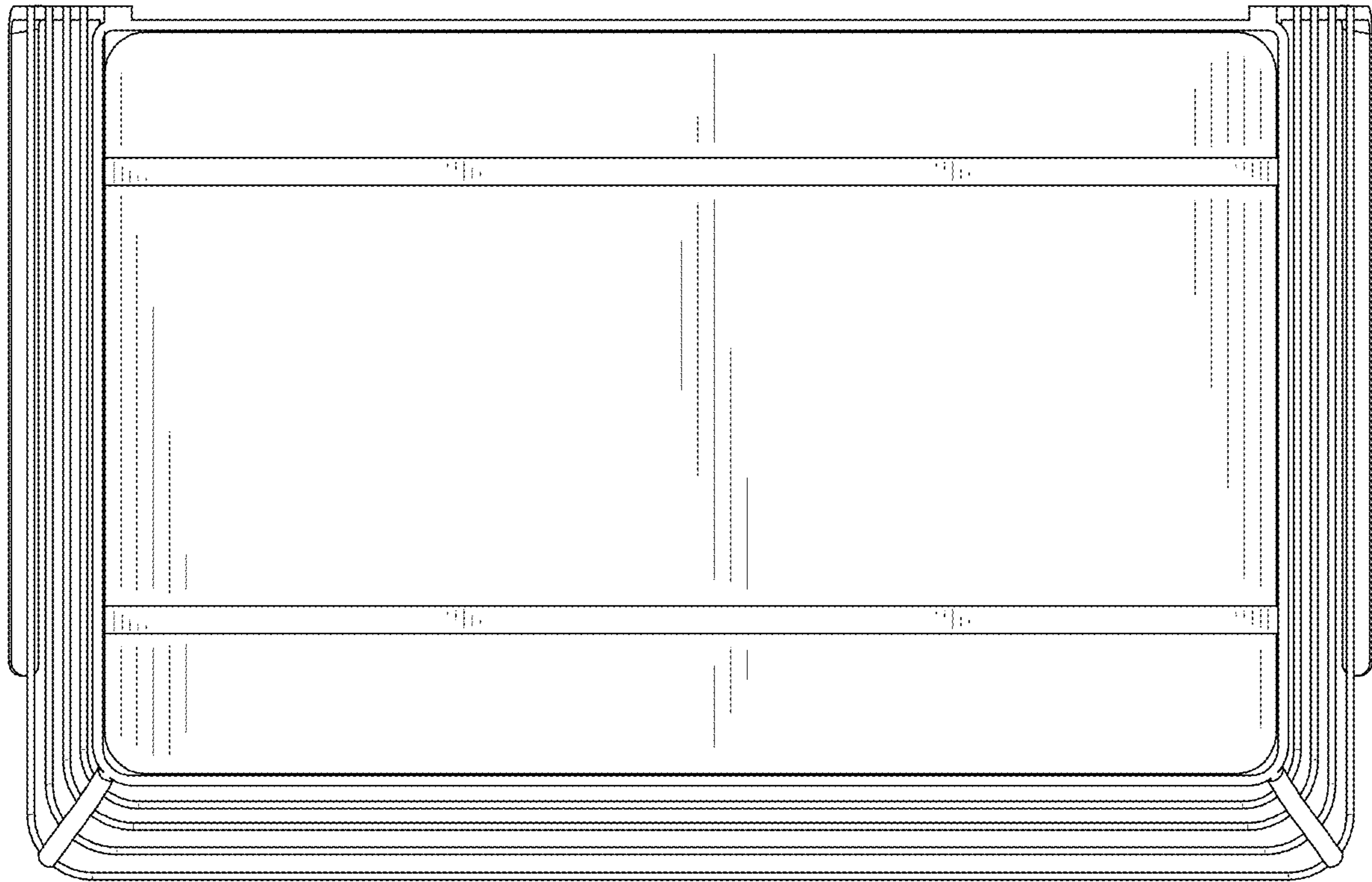


FIG. 8

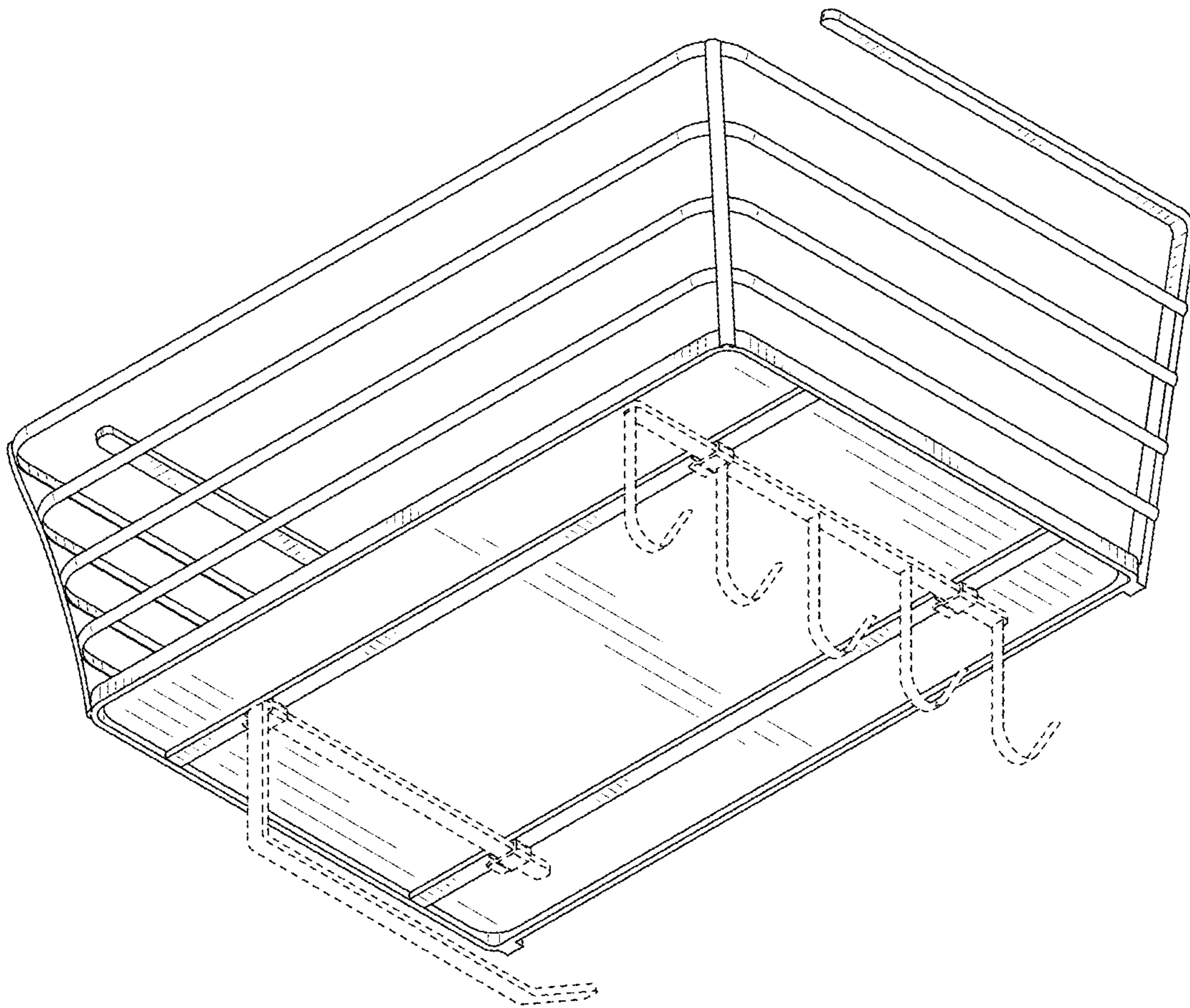


FIG. 9

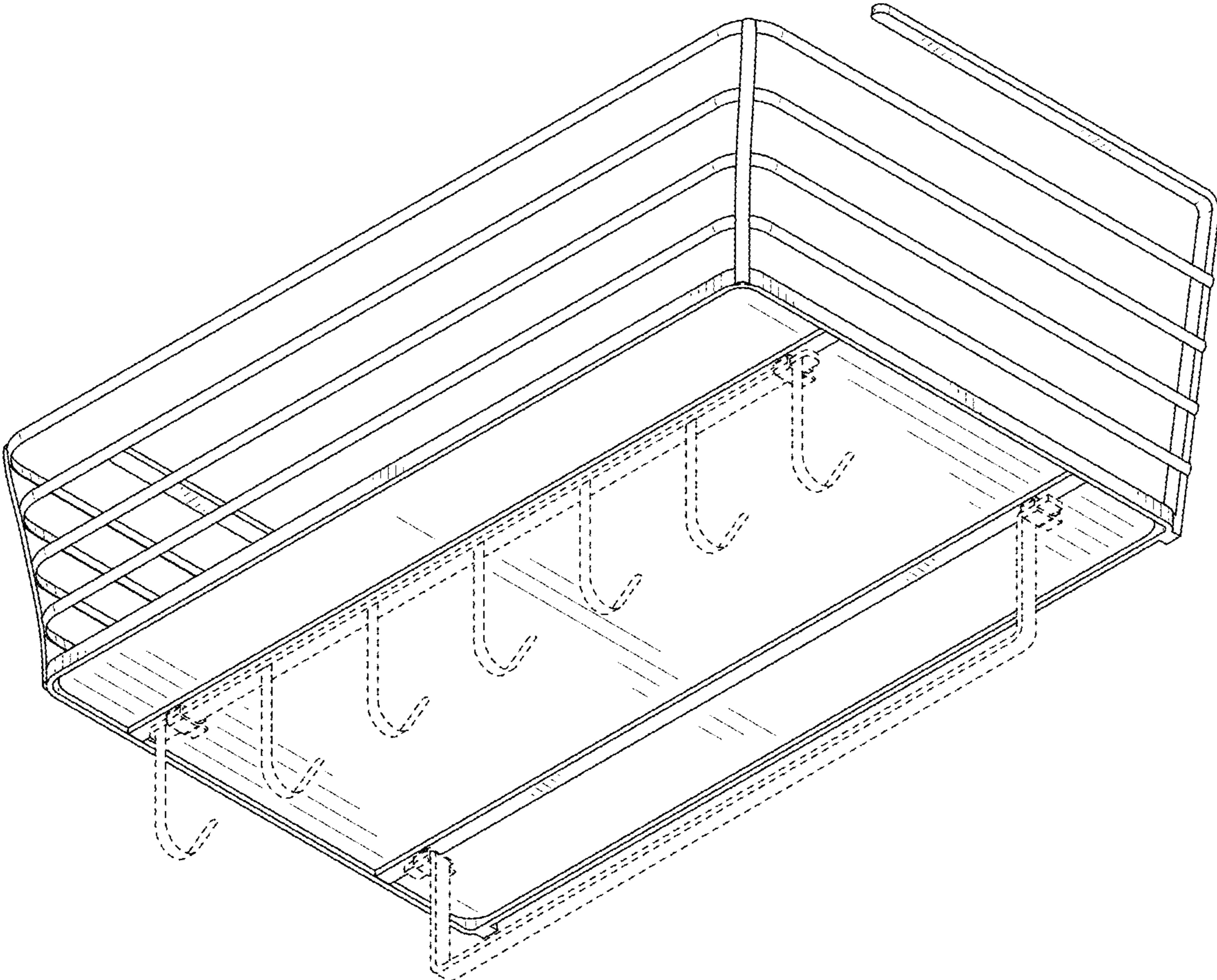


FIG. 10