



US00D970218S

(12) **United States Design Patent** (10) **Patent No.:** **US D970,218 S**
Yuan (45) **Date of Patent:** **** Nov. 22, 2022**

(54) **ARC WATCH BOX**

(71) Applicant: **Yuxian Yuan**, Guangzhou (CN)

(72) Inventor: **Yuxian Yuan**, Guangzhou (CN)

(**) Term: **15 Years**

(21) Appl. No.: **29/795,956**

(22) Filed: **Jun. 22, 2021**

(51) **LOC (13) Cl.** **03-01**

(52) **U.S. Cl.**

USPC **D3/295**

(58) **Field of Classification Search**

USPC D3/201, 273, 276, 279, 284, 294, 295,
D3/901, 903; D6/667

CPC A45C 11/12; A45C 11/10

See application file for complete search history.

(56) **References Cited**

U.S. PATENT DOCUMENTS

D265,867 S *	8/1982	Margulis	D3/294
D440,044 S *	4/2001	Williams	D3/284
D449,944 S *	11/2001	Wolf	D3/295
D468,529 S *	1/2003	Sabounjian	D3/273
D478,811 S *	8/2003	Huang	D3/294
D514,848 S	2/2006	Au		
D575,956 S *	9/2008	Reardon	D3/295
D587,495 S *	3/2009	Levinger	D6/661
D592,048 S	5/2009	Biedermann et al.		
D612,152 S *	3/2010	Roesler	D3/294
D669,351 S	10/2012	Au		
D812,933 S *	3/2018	Leonorovitz	D6/667
D812,934 S *	3/2018	Leonorovitz	D6/667
D886,880 S	6/2020	Liu		
D887,139 S	6/2020	Zeng		
D945,156 S *	3/2022	Chen	D3/295

OTHER PUBLICATIONS

Amazon.de, "Seelux Watch Box Men's Watch Storage Box . . . ",
First on sale Nov. 17, 2020. (<https://www.amazon.de/-/en/Storage->

Lockable-Jewellery-Glasses-Boyfriend/dp/B08NPTXGVQ) (Year:
2020).*

Amazon, "Homde Watch Box Arc Display Case . . . ", First on sale
Oct. 23, 2020. (<https://www.amazon.com/Homde-Display-Jewelry-Organizer-Sunglasses/dp/B08LPZXPML>) (Year: 2020).*

Homde Watch Box Arc Display Case Carbon Fiber Jewelry Organizer
Luxury Sunglasses Holder with Drawer, Glass Top and Lock
for Men Women, Amazon.com, Oct. 23, 2020, Homde, <https://www.amazon.com/Homde-Display-Jewelry-Organizer-Sunglasses/dp/B08LPZXPML> (Last Accessed: Jul. 7, 2022).

Seelux Watch Box Men's Watch Storage Box with Glass Lid,
Lockable Jewellery Box Watch Case for Jewellery Rings Brooch
Glasses Gift for Men Husband Boyfriend Black, black, Amazon.de,
Nov. 17, 2020, Seelux, <https://www.amazon.de/-/en/Storage-Lockable-Jewellery-Glasses-Boyfriend/dp/B08NPTXGVQ> (Last Accessed: Jul. 7, 2022).

* cited by examiner

Primary Examiner — April Rivas

(74) *Attorney, Agent, or Firm* — Rumit Ranjit Kanakia

(57) **CLAIM**

I claim the ornamental design for an arc watch box, as shown
and described.

DESCRIPTION

FIG. 1 is a Perspective view of an arc watch box showing my
new design;

FIG. 2 is an exposed view thereof;

FIG. 3 is a Front view thereof;

FIG. 4 is a Back view thereof;

FIG. 5 is a Right-side view thereof;

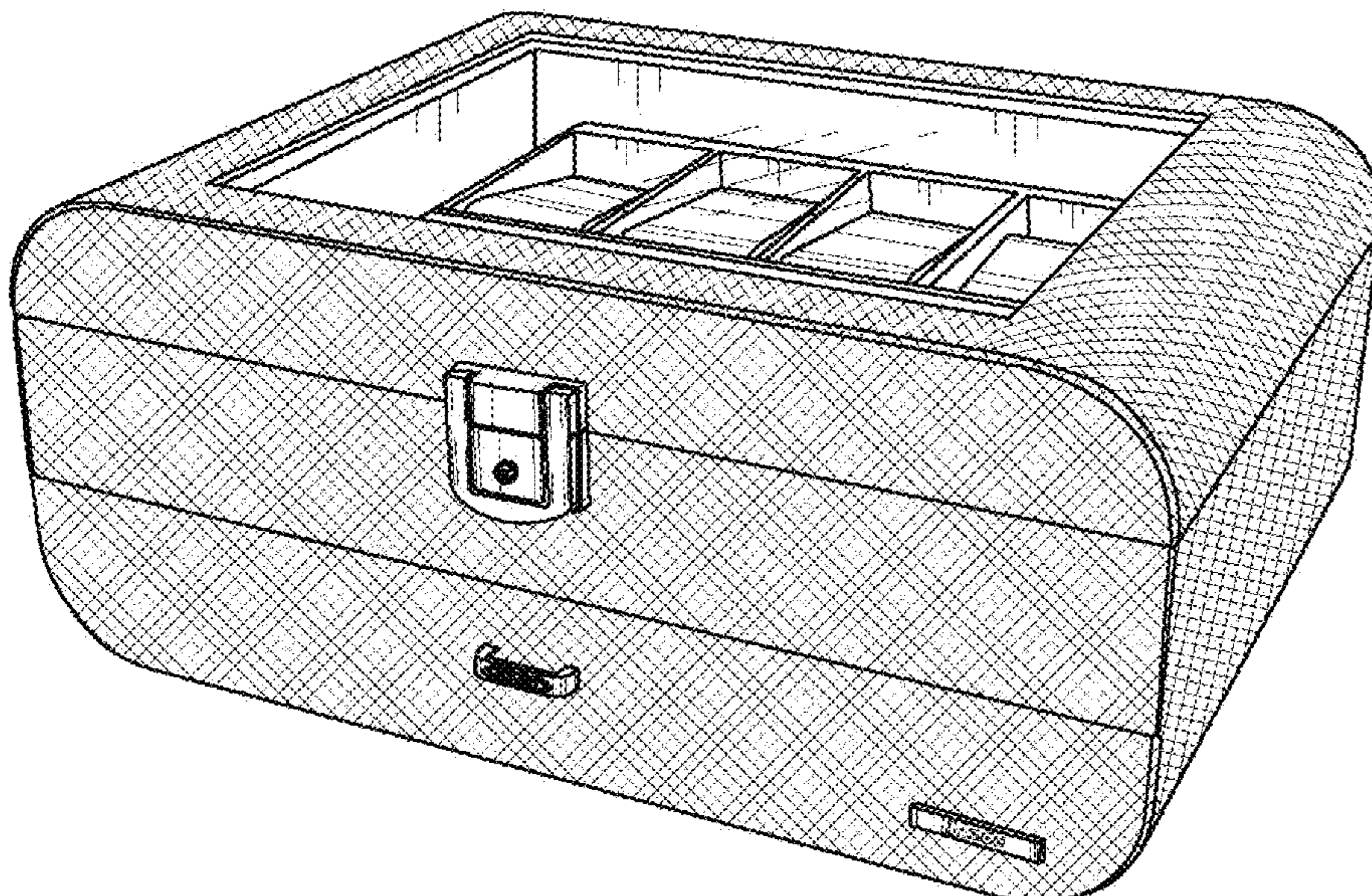
FIG. 6 is a Left-side view thereof;

FIG. 7 is a Top view thereof; and,

FIG. 8 is a Bottom view thereof.

The broken lines in the drawings depict portions of the arc
watch box that form no part of the claimed design.

1 Claim, 6 Drawing Sheets



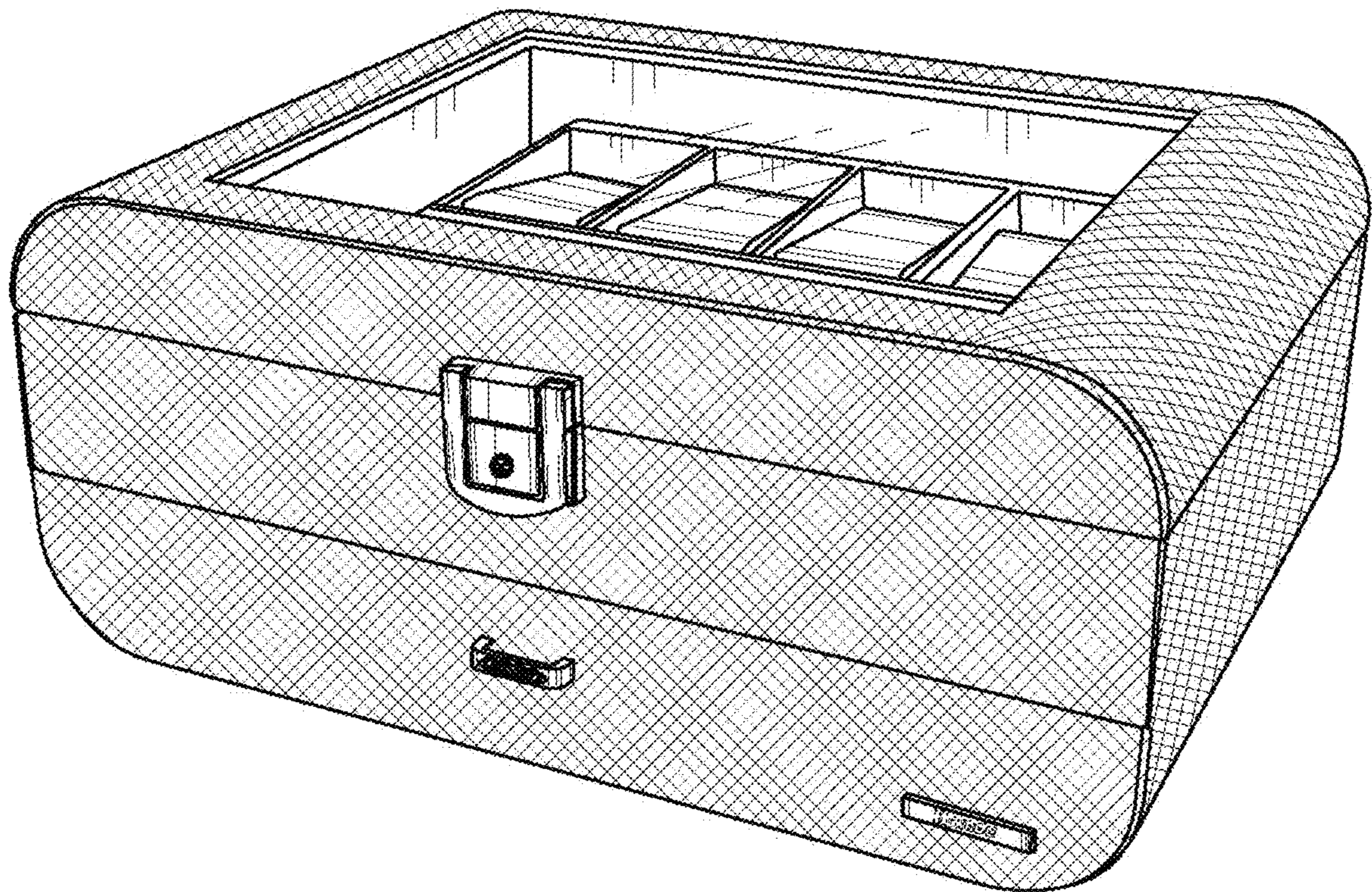


FIG. 1

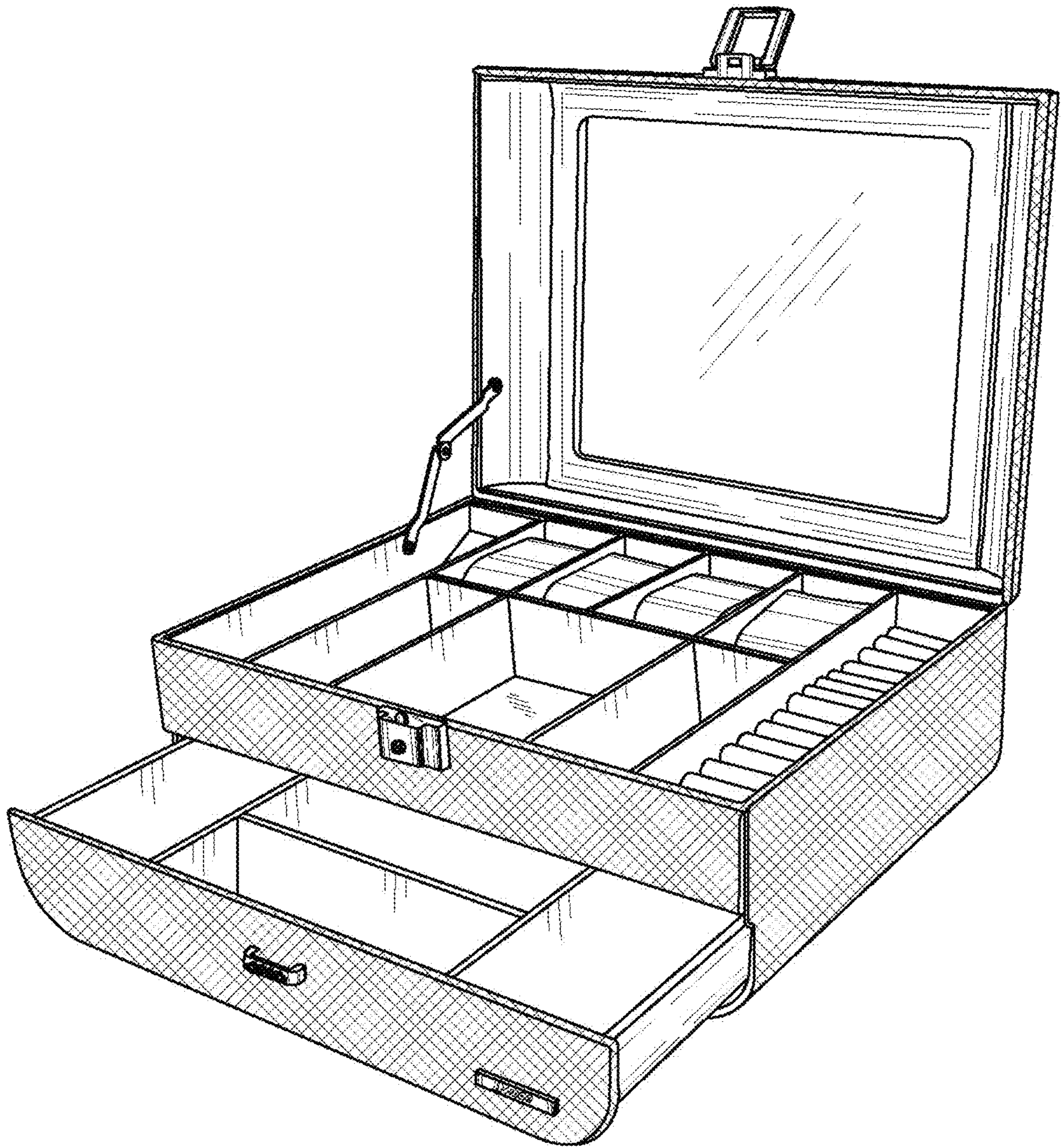


FIG. 2

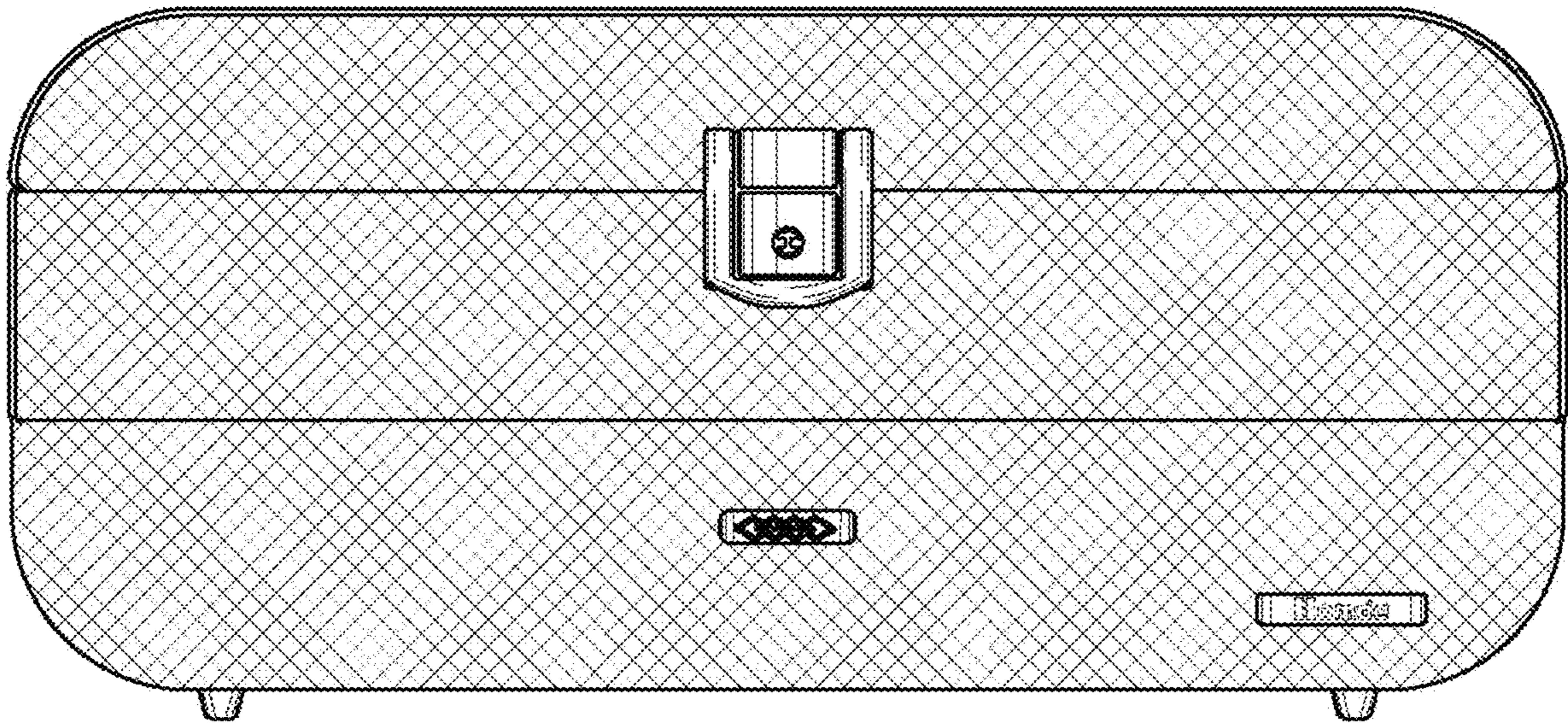


FIG. 3

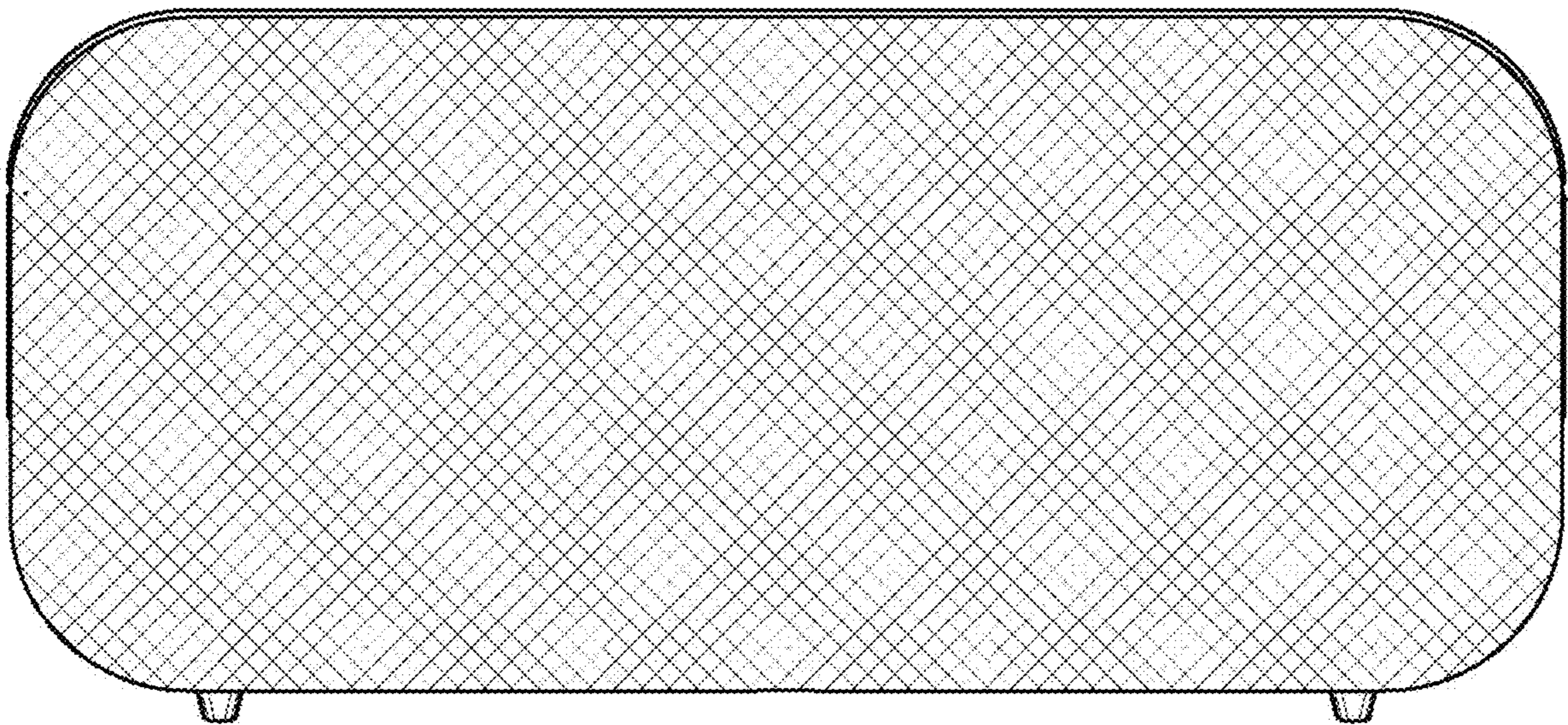


FIG. 4

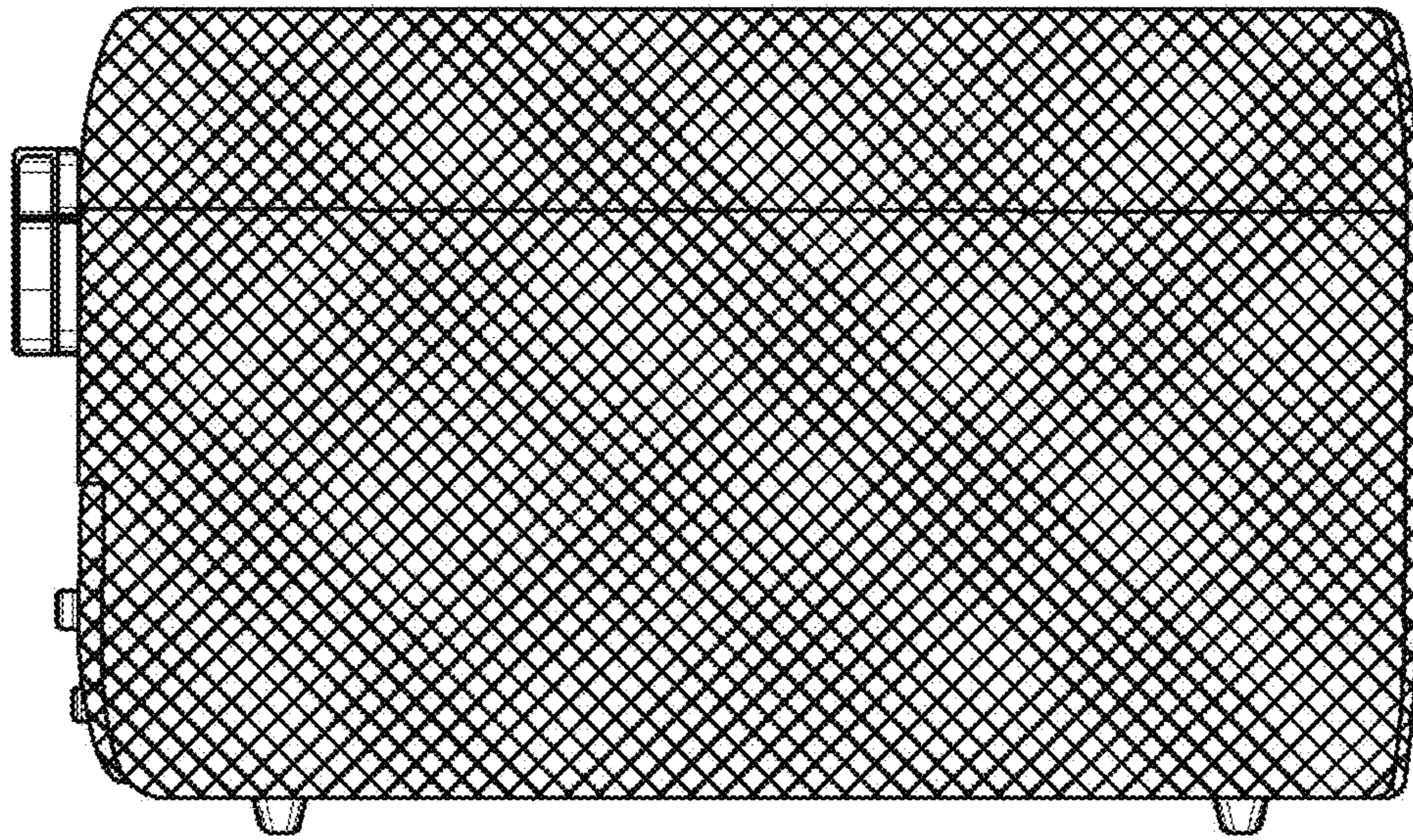


FIG. 5

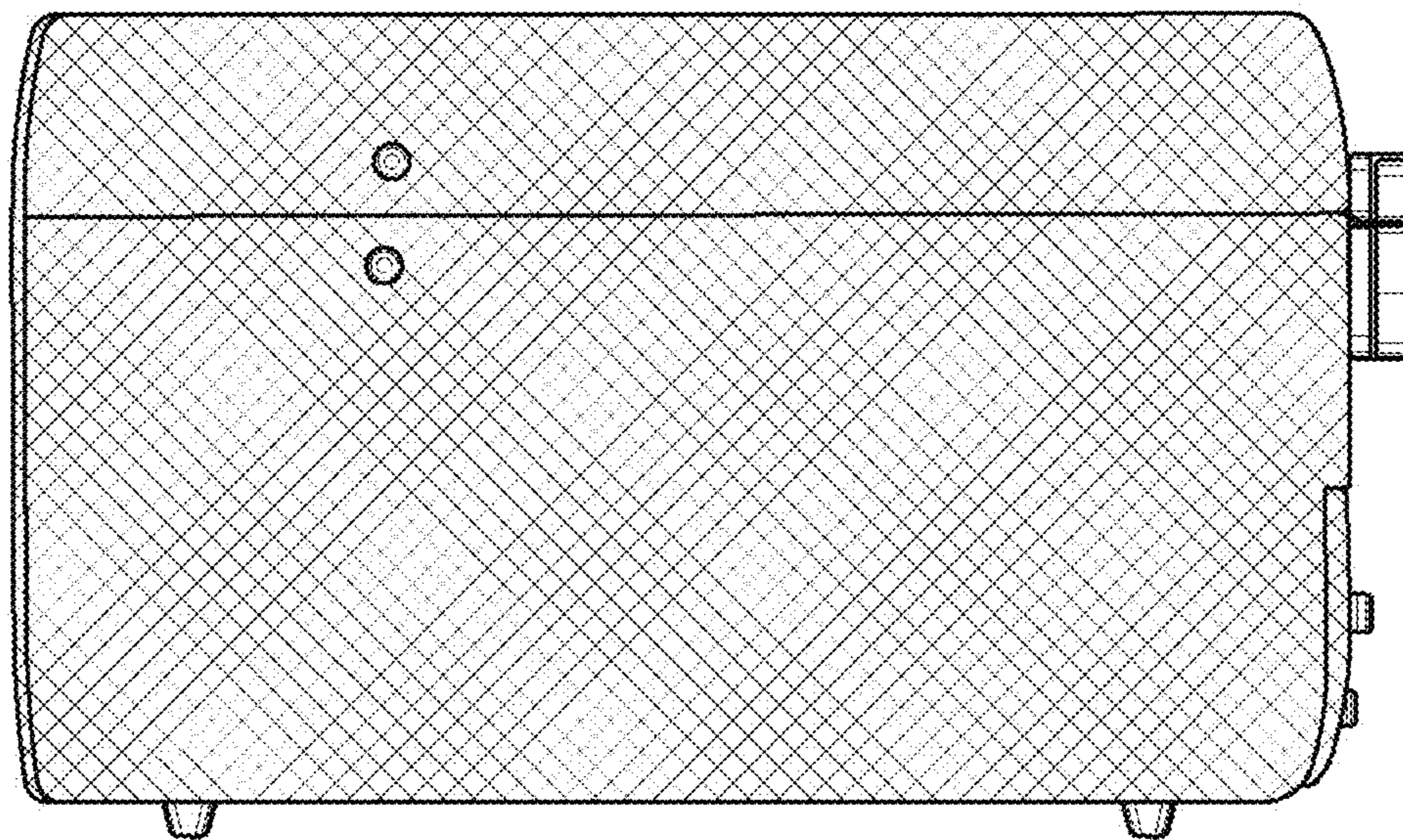


FIG. 6

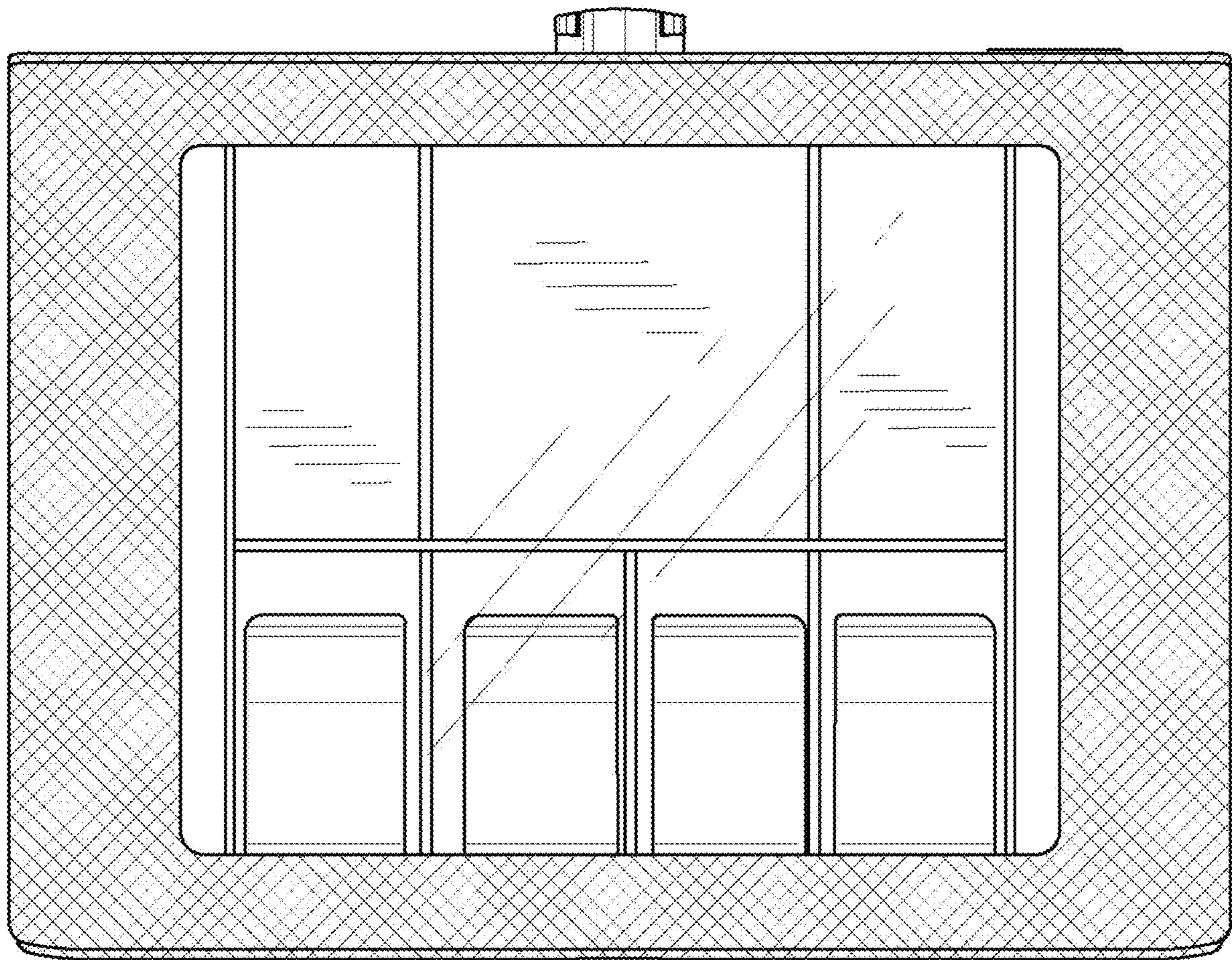


FIG. 7

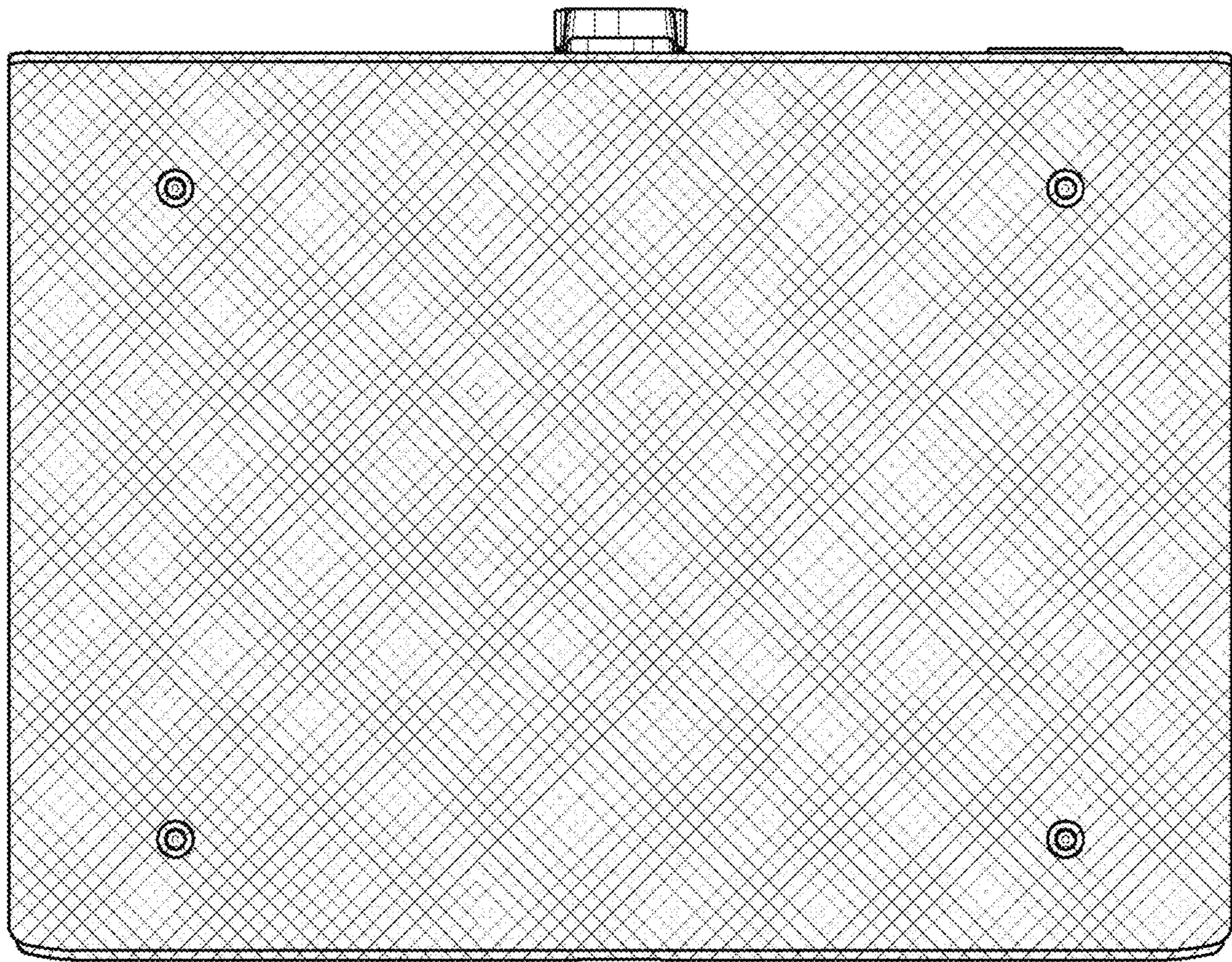


FIG. 8