



US00D970214S

(12) **United States Design Patent** (10) **Patent No.:** **US D970,214 S**
Gao (45) **Date of Patent:** **** Nov. 22, 2022**

(54) **GUN CLEANING KIT CASE**

(71) Applicant: **Jingbo Gao**, Ningbo (CN)
(72) Inventor: **Jingbo Gao**, Ningbo (CN)
(**) Term: **15 Years**
(21) Appl. No.: **29/795,183**

(22) Filed: **Jun. 17, 2021**
(51) **LOC (13) Cl.** **03-01**
(52) **U.S. Cl.**
USPC **D3/262; D3/284; D3/282; D3/904;**
D3/905
(58) **Field of Classification Search**
USPC **D3/262, 273, 276, 282, 284, 294, 298,**
D3/905, 904
CPC **A45C 11/00**
See application file for complete search history.

(56) **References Cited**

U.S. PATENT DOCUMENTS

| | | | | |
|--------------|---------|----------|-------|--------|
| D358,257 S * | 5/1995 | Sidabras | | D3/282 |
| D391,760 S * | 3/1998 | Zeller | | D3/276 |
| D392,463 S * | 3/1998 | Grey | | D3/319 |
| D413,440 S * | 9/1999 | Schurman | | D3/276 |
| D516,311 S * | 3/2006 | Lai | | D3/282 |
| D668,455 S * | 10/2012 | Chang | | D3/905 |
| D754,436 S | 4/2016 | Ou | | |
| D785,938 S | 5/2017 | Ou | | |
| D841,981 S | 3/2019 | Kögel | | |
| D852,506 S * | 7/2019 | Clayton | | D3/294 |
| D873,011 S | 1/2020 | Kao | | |
| D891,769 S * | 8/2020 | Chen | | D3/262 |
| D897,675 S * | 10/2020 | Chen | | D3/262 |
| D932,187 S * | 10/2021 | Ye | | D3/294 |

OTHER PUBLICATIONS

Amazon, "Gloryfire Gun Cleaning Kit . . .", First on sale Jan. 20, 2021. (<https://www.amazon.com/dp/B08TH9TJK5/?th=1>) (Year: 2021).*
Gloryfire Elite Gun Cleaning Kit Universal Gun Cleaner for Shotgun, Pistol, Rifle, All Guns with Lightweight Carrying Case, Reinforced and Lengthened Rods and Steel Wire, High-end Double Head Brushes, Amazon.com, Jan. 20, 2021, Gloryfire, <https://www.amazon.com/dp/B08TH9TJK5/?th=1> (Last accessed: Aug. 16, 2022).

* cited by examiner

Primary Examiner — April Rivas

(74) *Attorney, Agent, or Firm* — Rumit Ranjit Kanakia

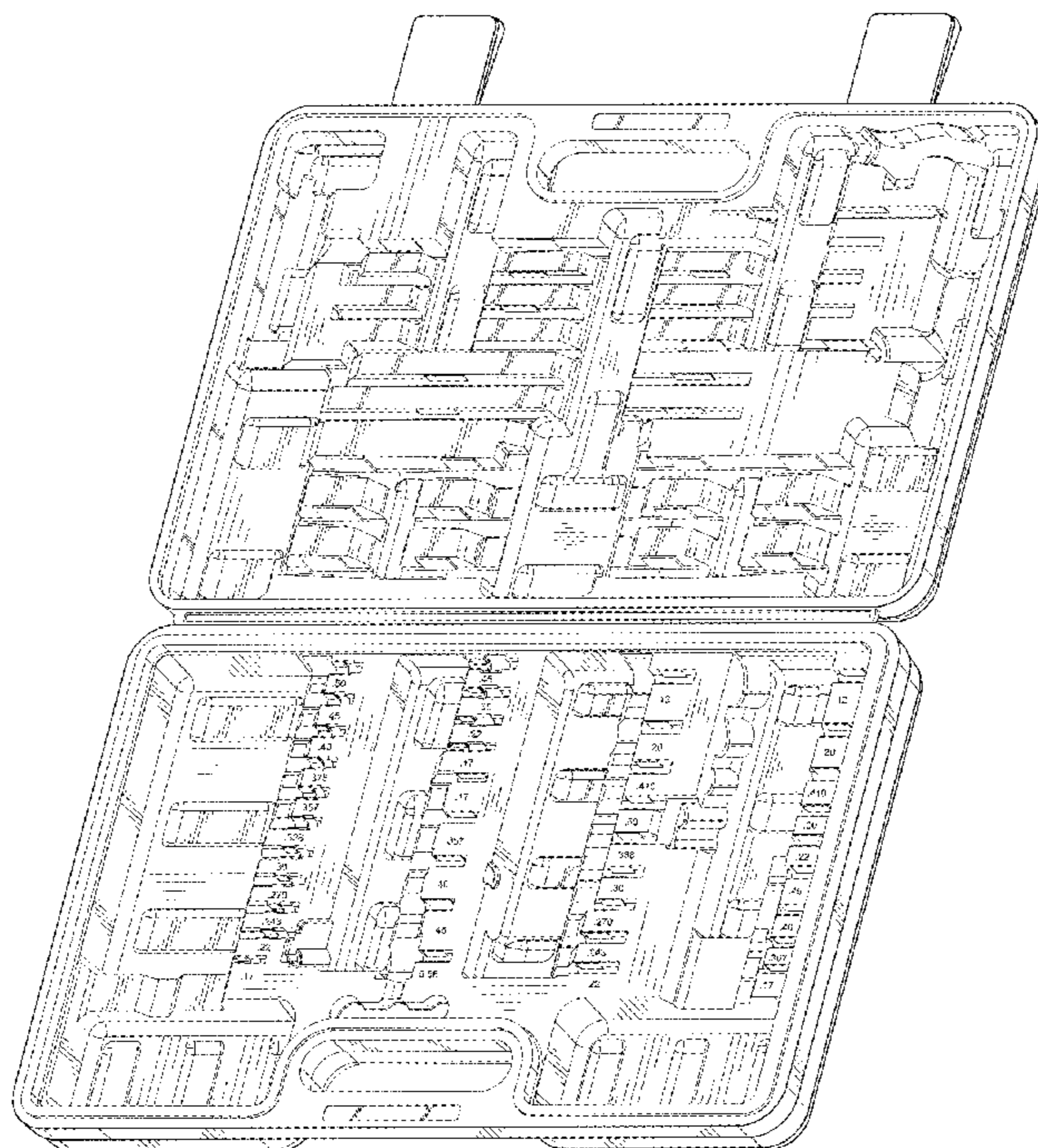
(57) **CLAIM**

I claim the ornamental design for a gun cleaning kit case, as shown and described.

DESCRIPTION

FIG. 1 is a perspective view of a gun cleaning kit case showing my new design;
FIG. 2 is a back perspective view thereof;
FIG. 3 is a front view thereof;
FIG. 4 is a back view thereof;
FIG. 5 is a bottom view thereof;
FIG. 6 is a top view thereof;
FIG. 7 is a right-side view thereof;
FIG. 8 is a left-side view thereof;
FIG. 9 is a perspective view of a gun cleaning kit case shown in a closed position; and,
FIG. 10 is an enlarged back perspective view of the area shown within the broken line circle in FIG. 2.
The broken lines in the drawing depict boundaries that form no part of the claimed design.

1 Claim, 10 Drawing Sheets



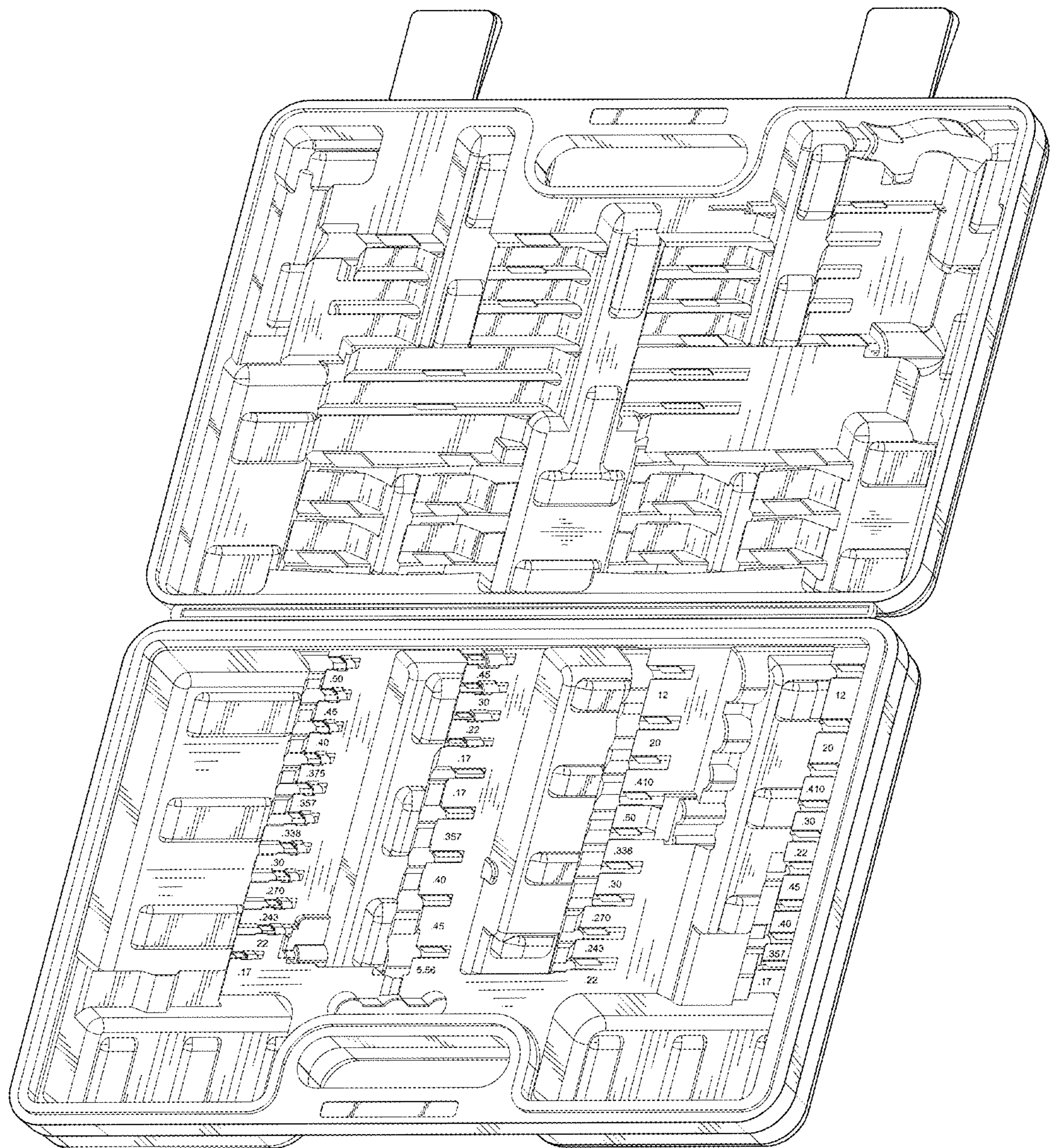


FIG. 1

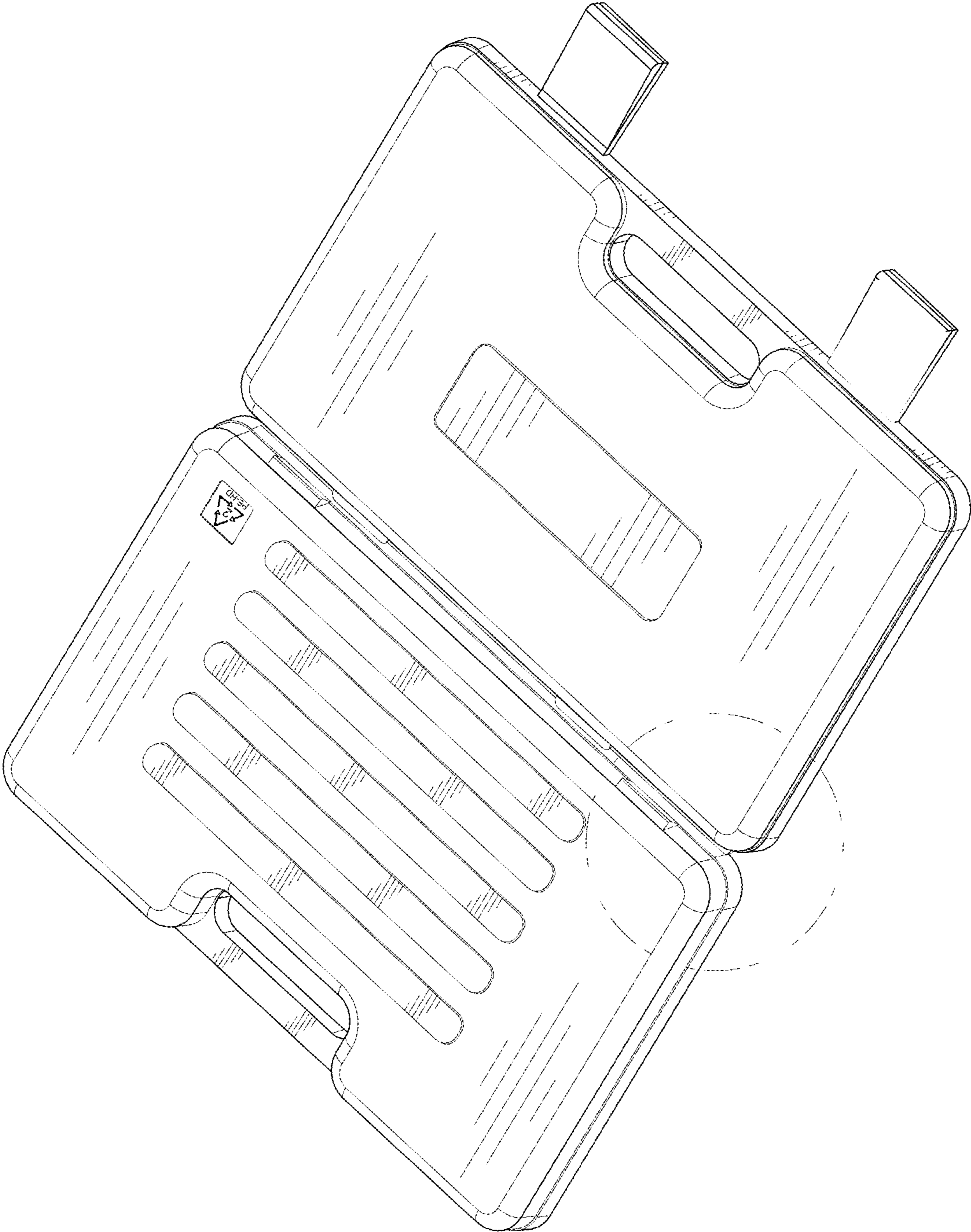


FIG. 2

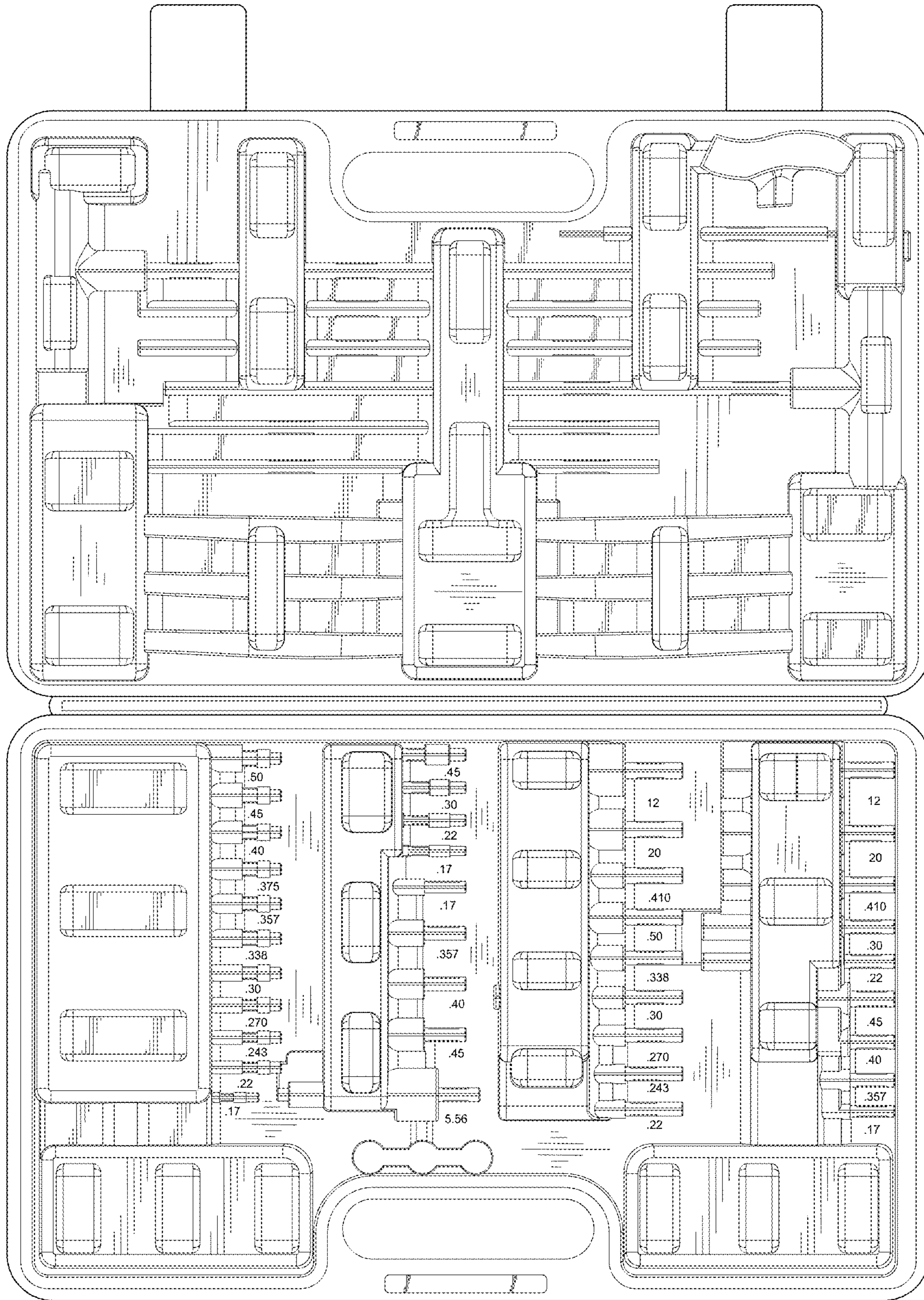


FIG. 3

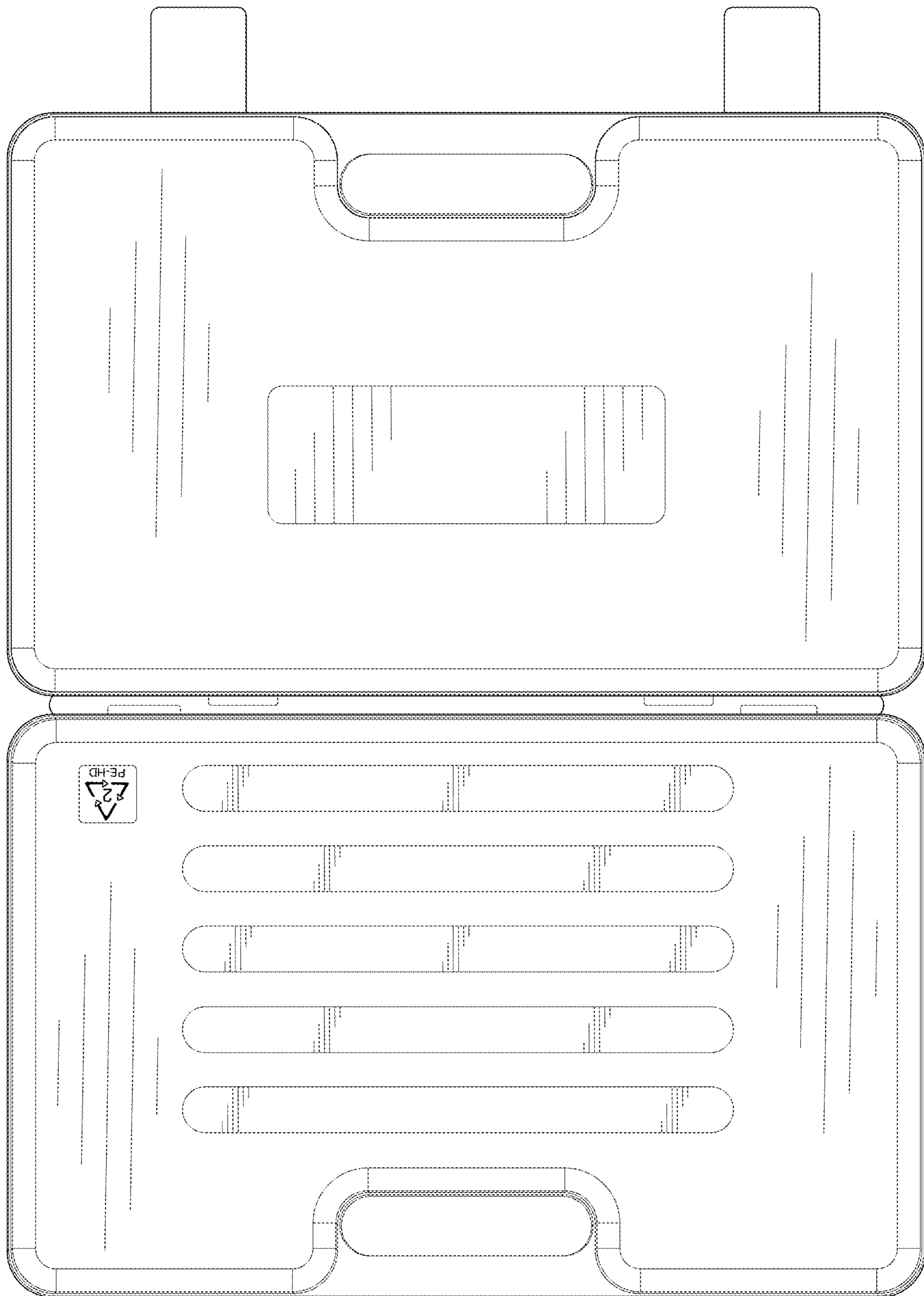


FIG. 4

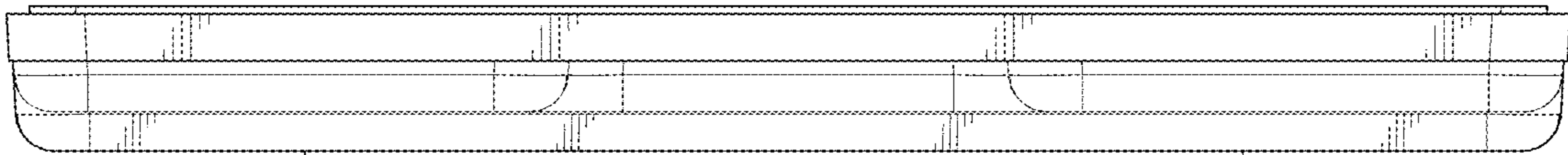


FIG. 5

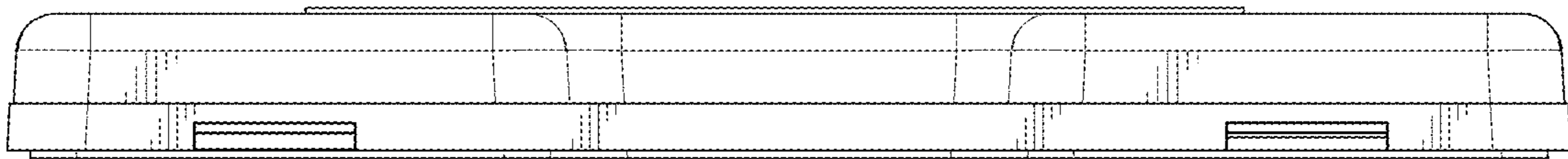


FIG. 6

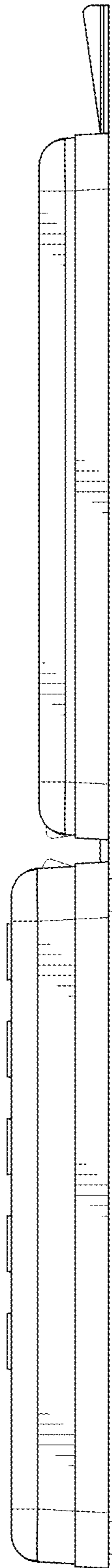


FIG. 7

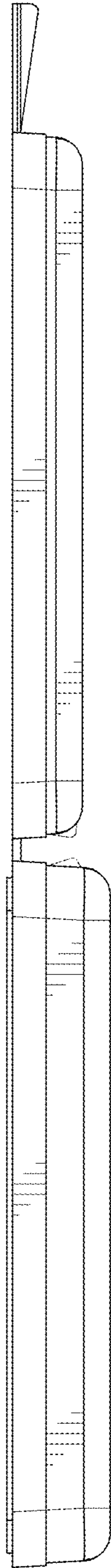


FIG. 8

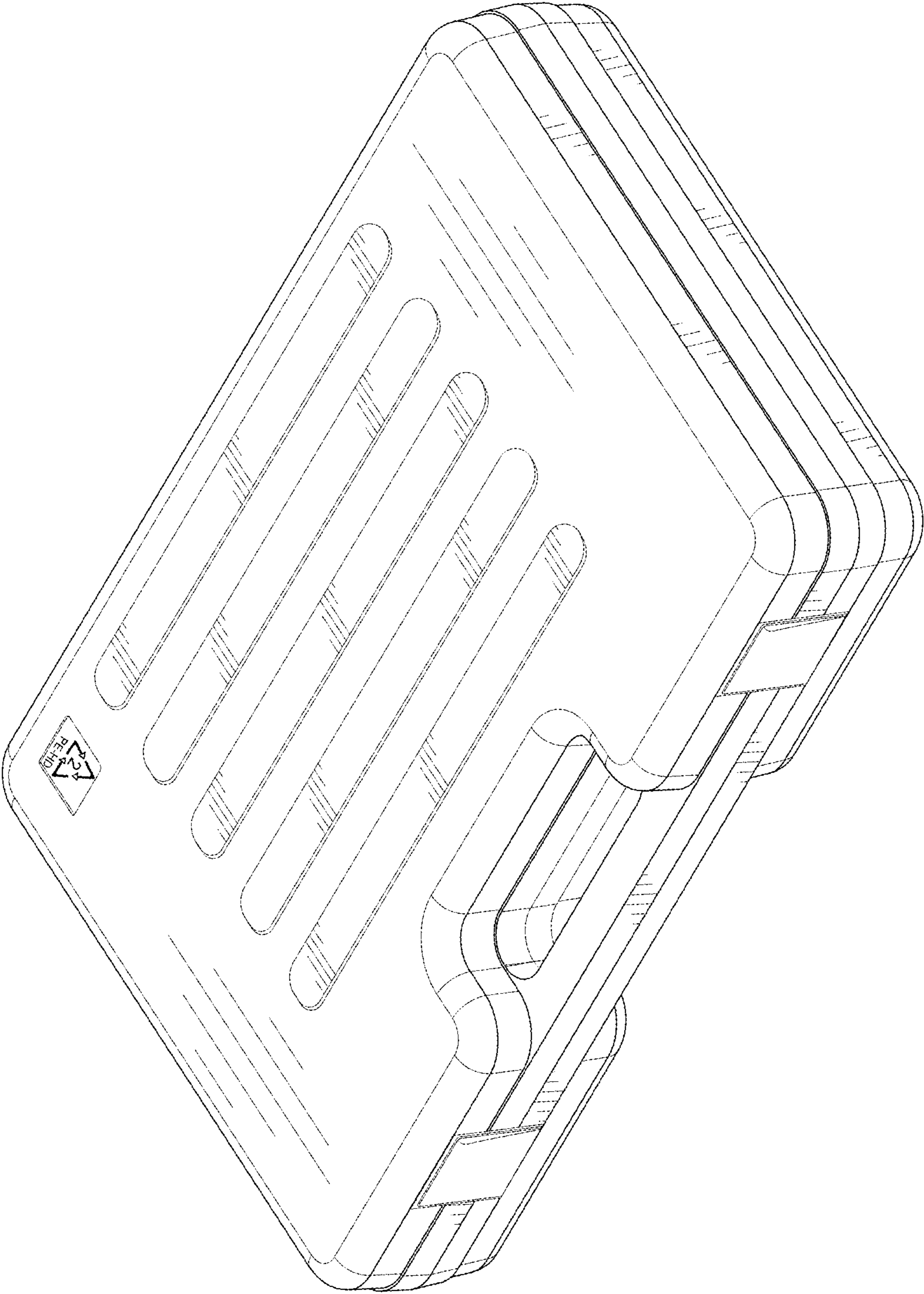


FIG. 9

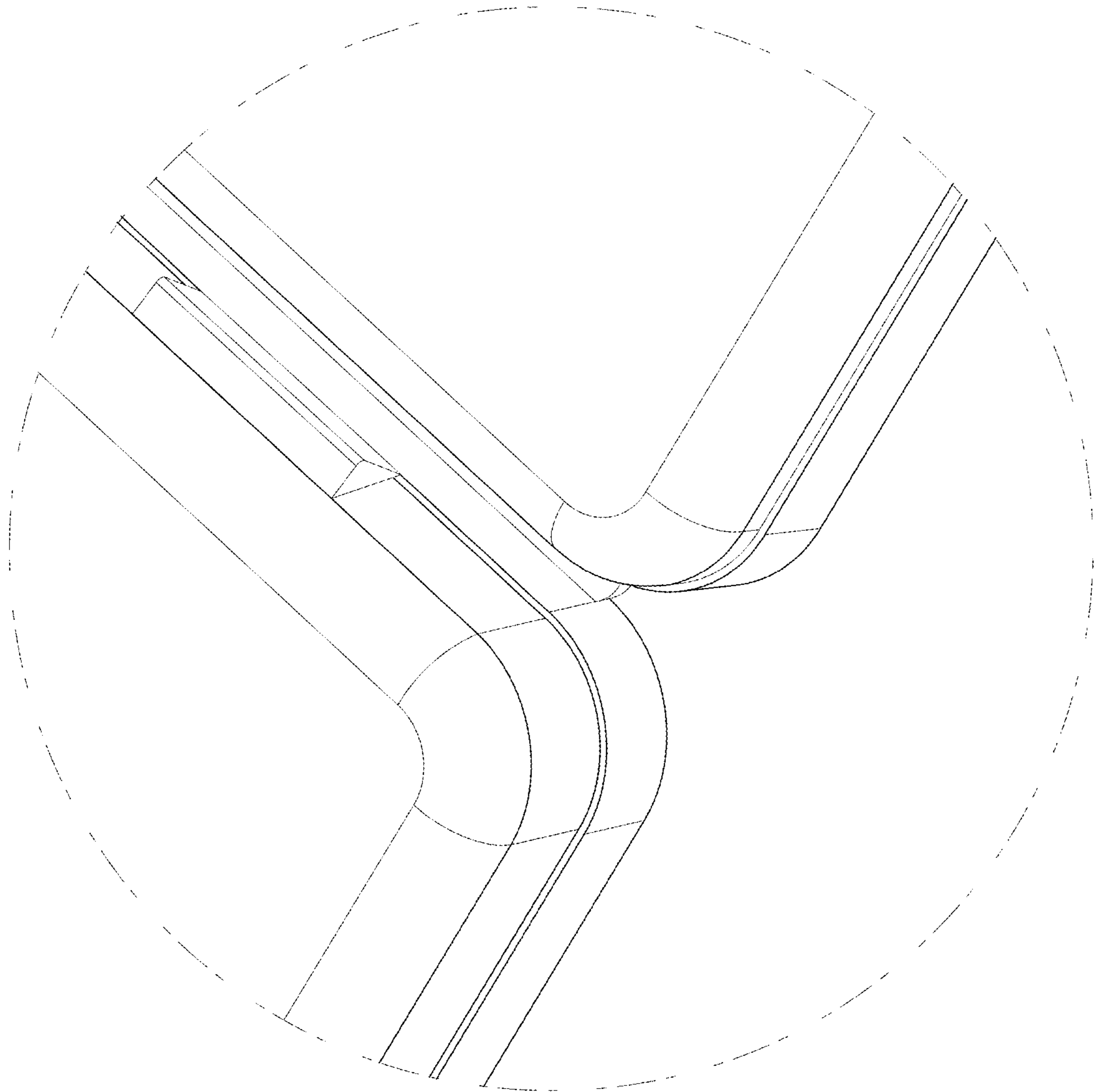


FIG. 10