



US00D970209S

(12) **United States Design Patent**
Cavanagh

(10) **Patent No.:** **US D970,209 S**

(45) **Date of Patent:** **** Nov. 22, 2022**

(54) **BACKPACK**

(71) Applicant: **Benjamin Cavanagh**, Newtown (AU)

(72) Inventor: **Benjamin Cavanagh**, Newtown (AU)

(**) Term: **15 Years**

(21) Appl. No.: **29/730,303**

(22) Filed: **Apr. 2, 2020**

(51) **LOC (13) Cl.** **03-01**

(52) **U.S. Cl.**
USPC **D3/217**

(58) **Field of Classification Search**
USPC D3/216, 217, 226, 233, 273, 287, 327;
D30/109
CPC A45F 3/04; A45F 4/02; A45F 3/02; A45F
2003/003; A45F 3/047; A45F 3/14; A45F
3/08; A01K 1/029

See application file for complete search history.

(56) **References Cited**

U.S. PATENT DOCUMENTS

4,085,873	A *	4/1978	Schweitzer	A45C 7/0077 294/142
5,407,112	A *	4/1995	Christodoulou	A45F 3/04 224/652
D426,951	S *	6/2000	Rohrbach	D3/217
D471,353	S *	3/2003	Ho	D3/217
6,769,585	B2 *	8/2004	Santaniello	A45F 3/04 190/110
D536,870	S *	2/2007	Sabbagh	D3/233
7,938,302	B2 *	5/2011	Gibson	A45F 3/04 224/660

D694,001	S *	11/2013	Thomas-Ramsey	D3/217
D699,033	S *	2/2014	Welch	D3/217
D713,605	S *	9/2014	Lipscomb	D30/108
D732,246	S *	6/2015	Eisen	D30/109
D832,747	S *	11/2018	Chung	D12/114
D847,492	S *	5/2019	Pernefeldt	D3/204
D855,900	S *	8/2019	Lu	D30/109
D935,766	S *	11/2021	Wang	D3/217

FOREIGN PATENT DOCUMENTS

CN 305891498 * 2/2020

* cited by examiner

Primary Examiner — Jennifer L Watkins

(74) *Attorney, Agent, or Firm* — Eric Karich; Karich & Associates

(57) **CLAIM**

The ornamental design for a backpack, as shown and described.

DESCRIPTION

FIG. 1 is a perspective view of a backpack, showing my new design;

FIG. 2 is a front elevational view thereof;

FIG. 3 is a rear elevational view thereof;

FIG. 4 is a left side elevational view thereof;

FIG. 5 is a right side elevational view thereof;

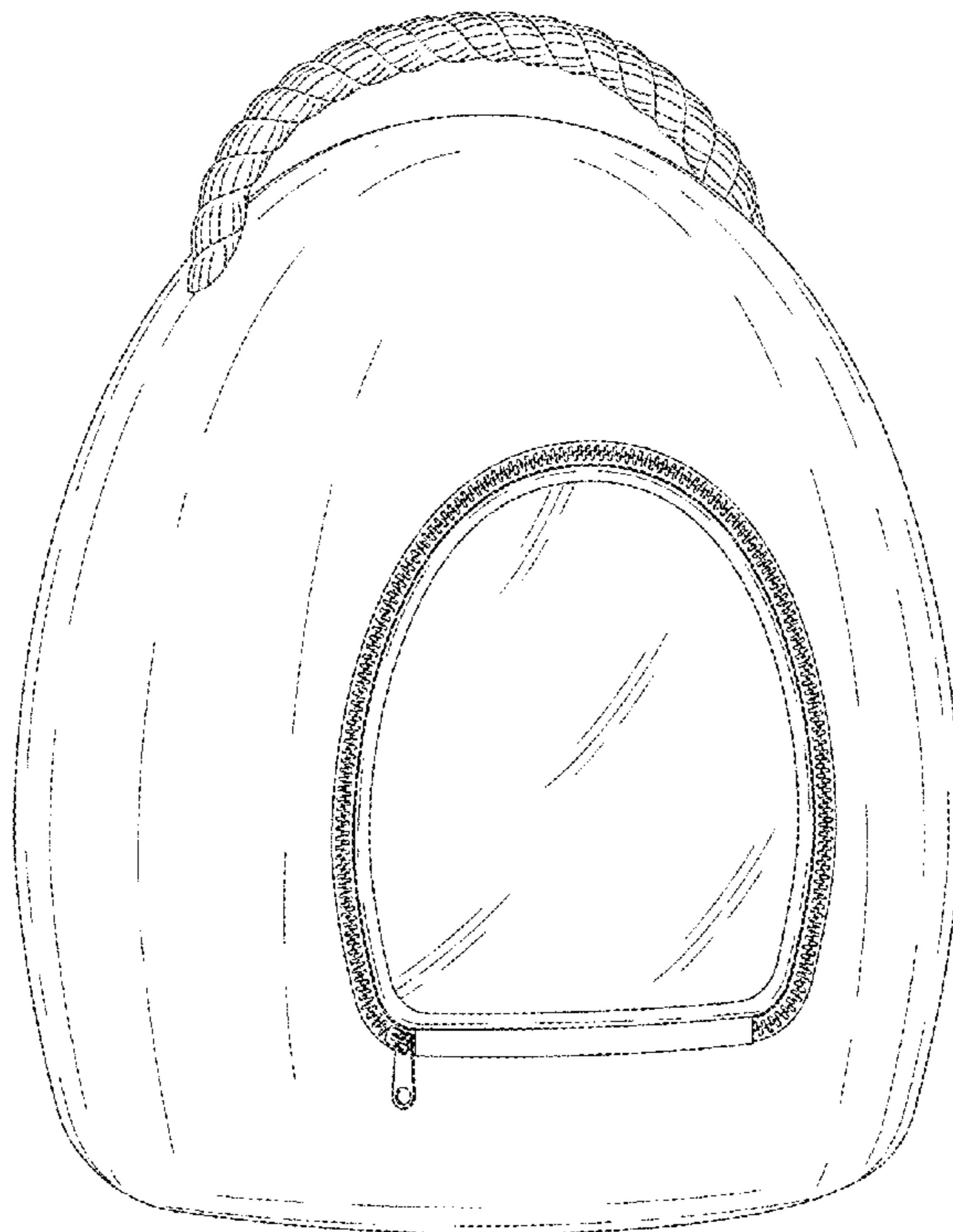
FIG. 6 is a top plan view thereof;

FIG. 7 is a bottom plan view thereof; and,

FIG. 8 is a perspective view of the backpack, showing a compartment of the backpack in an open configuration.

The broken line drawings of the penguin plush toys, shown in FIG. 8, form no part of the claimed design.

1 Claim, 5 Drawing Sheets



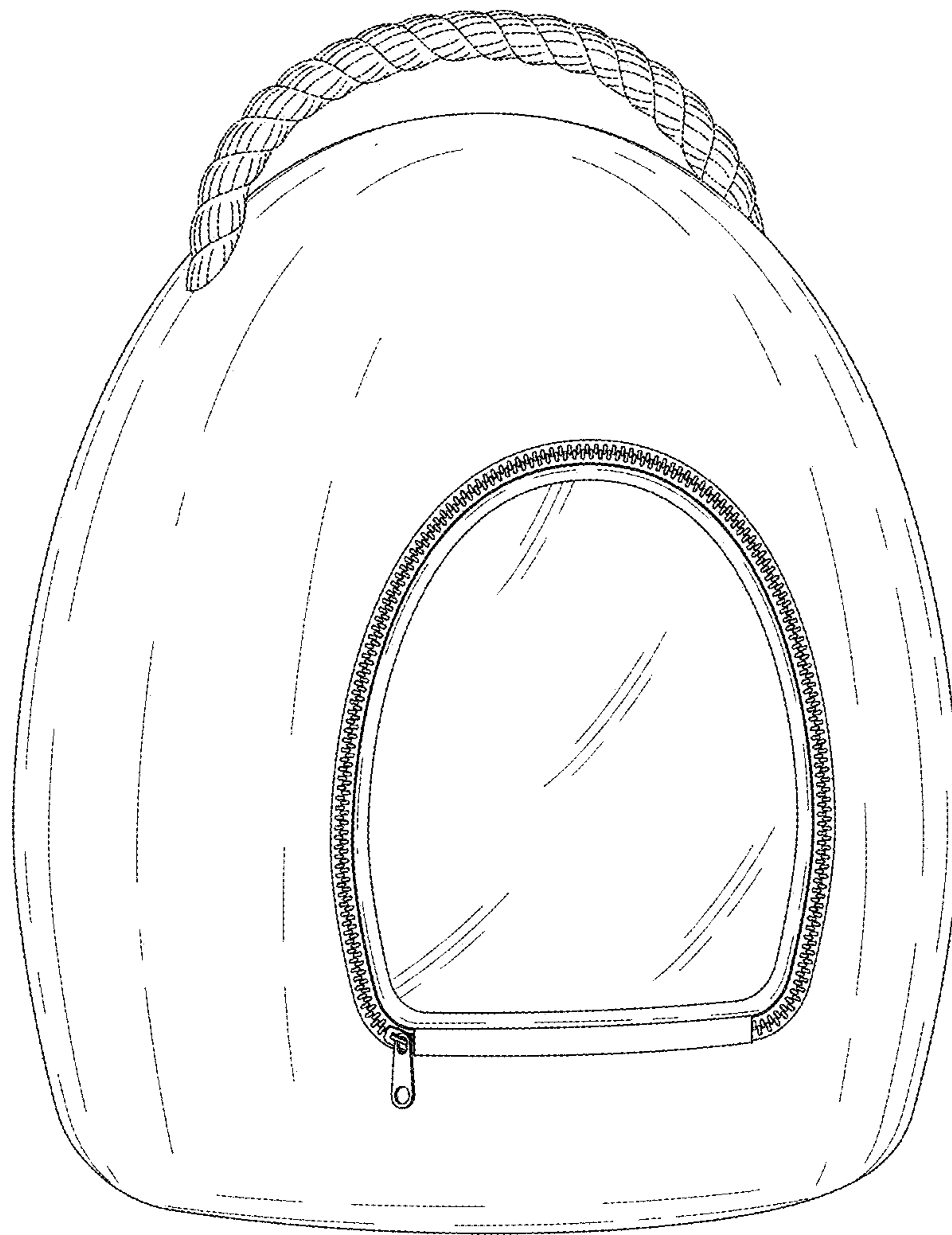


Fig. 1

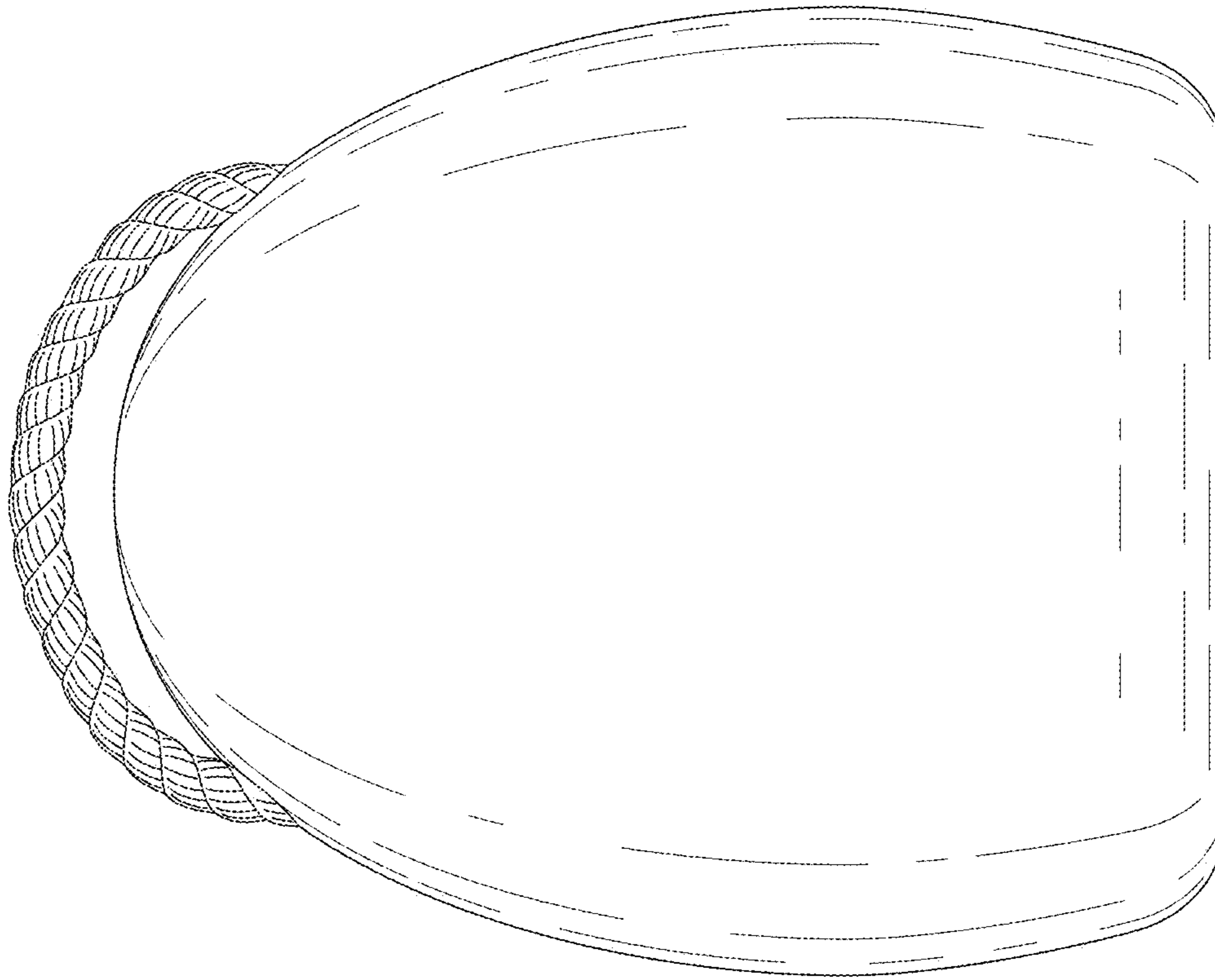


Fig. 3

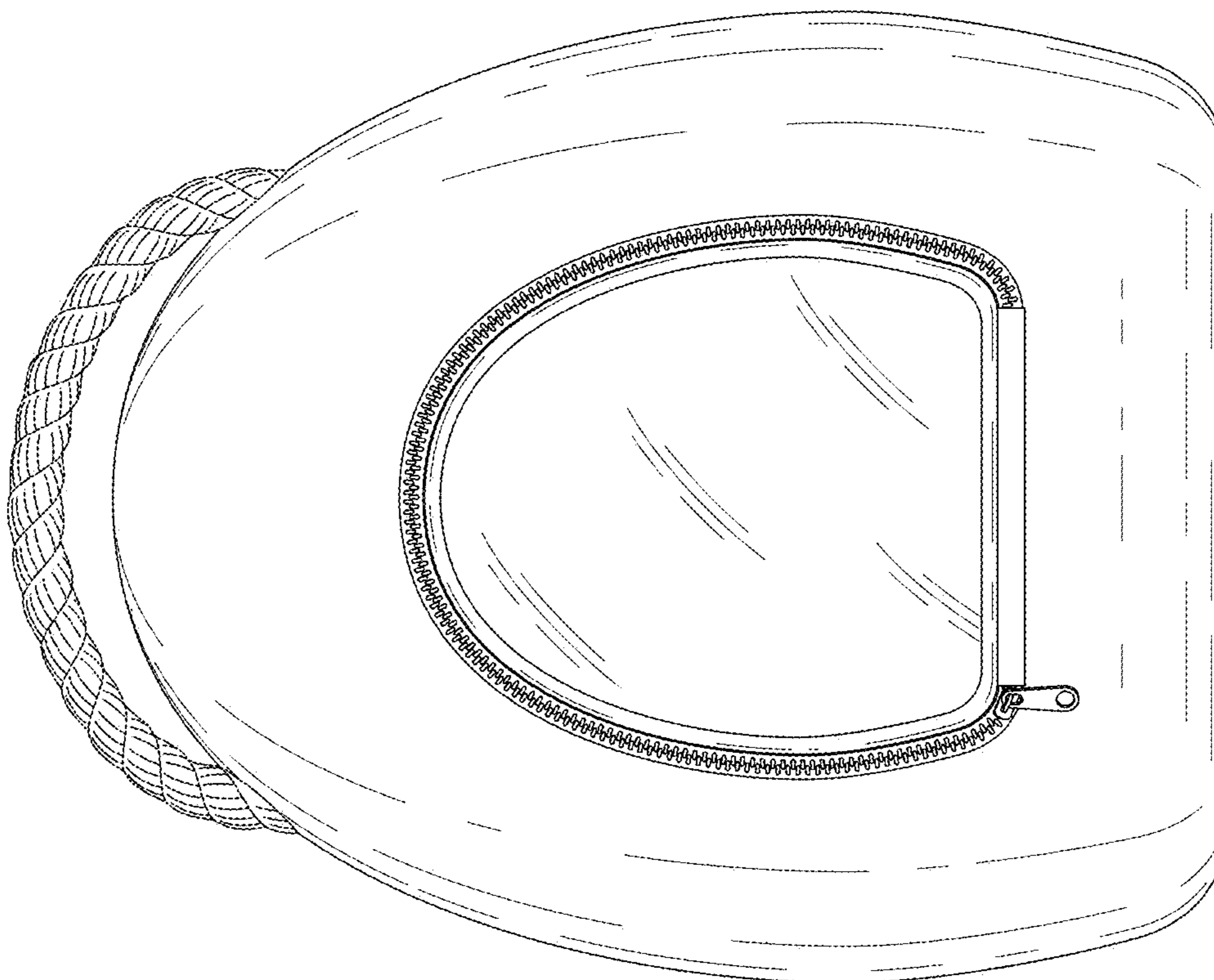


Fig. 2

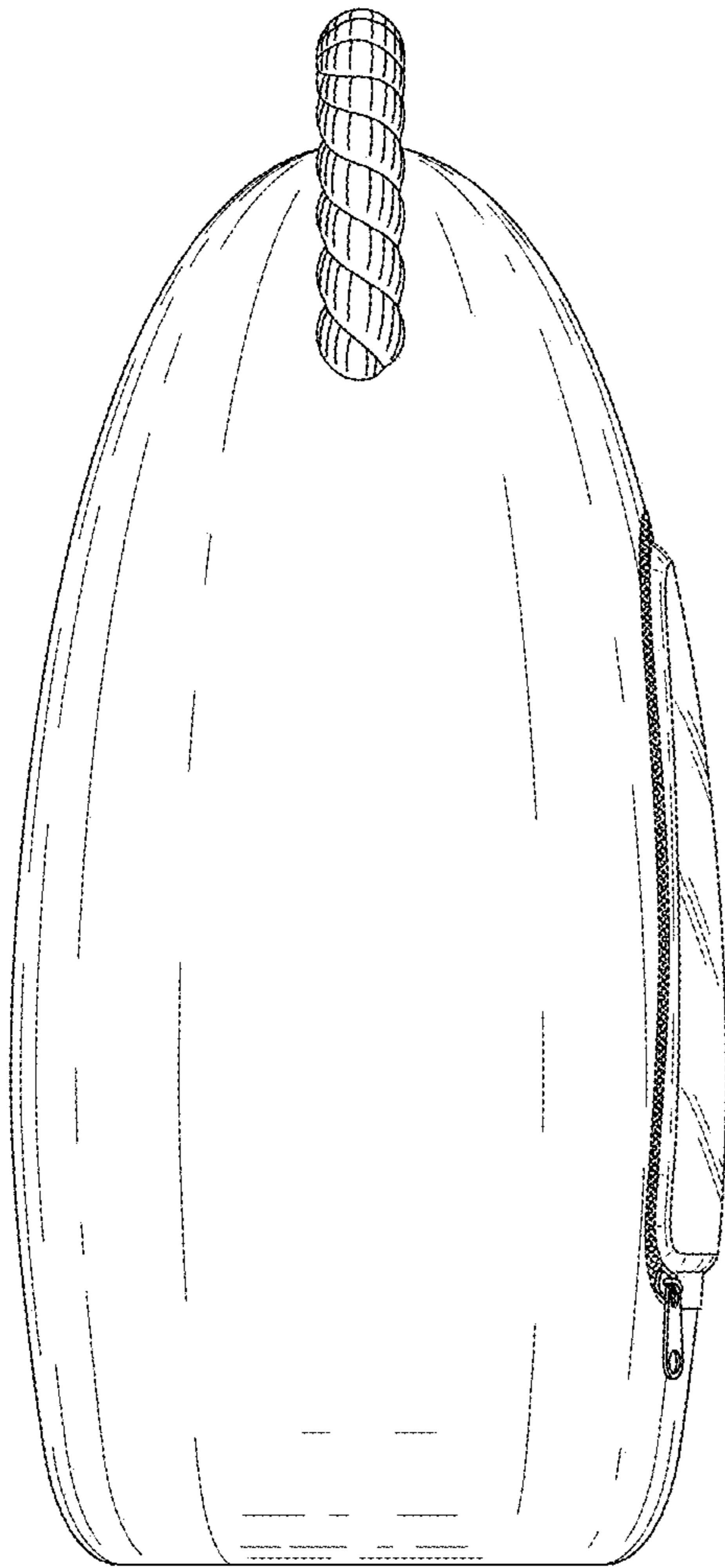


Fig. 4

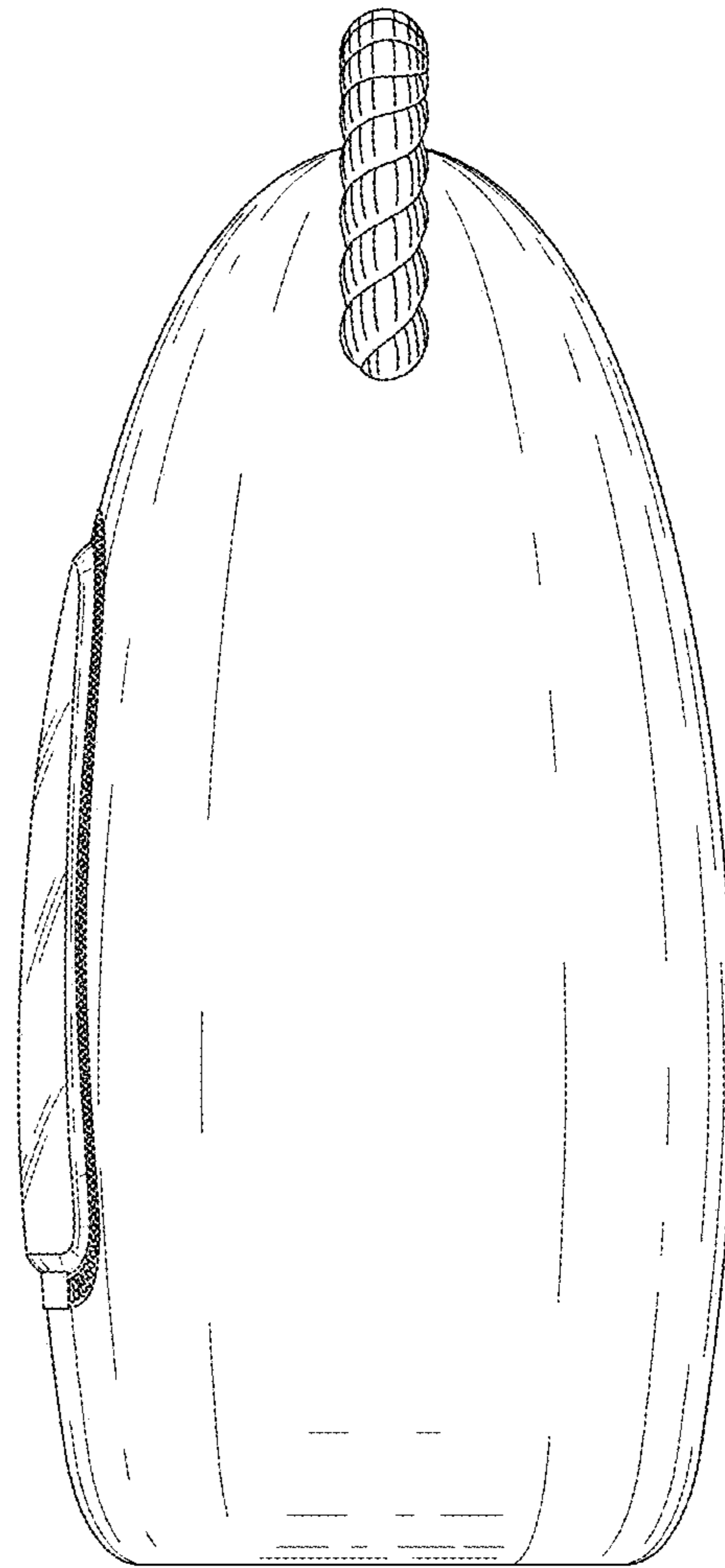


Fig. 5

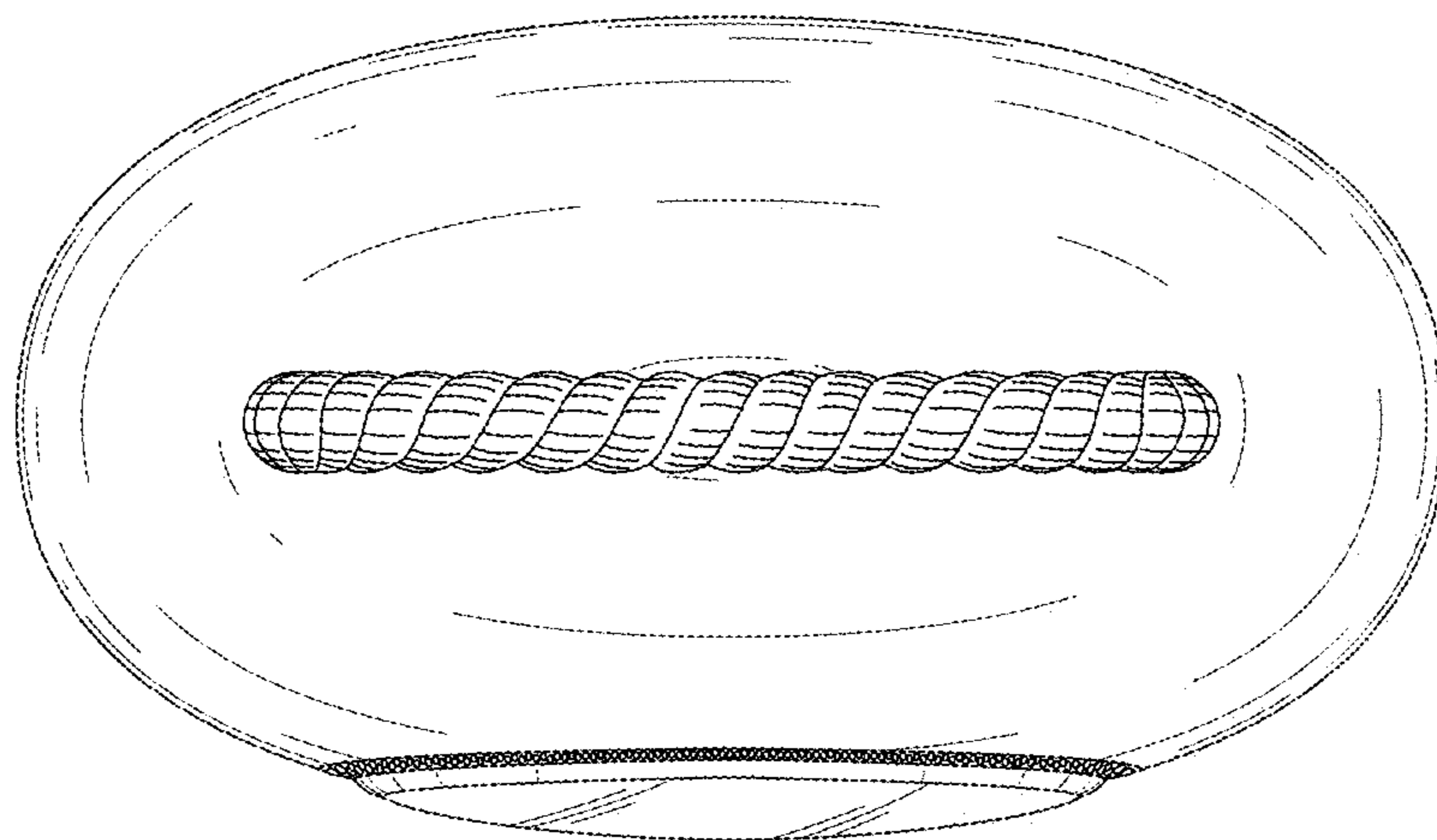


Fig. 6

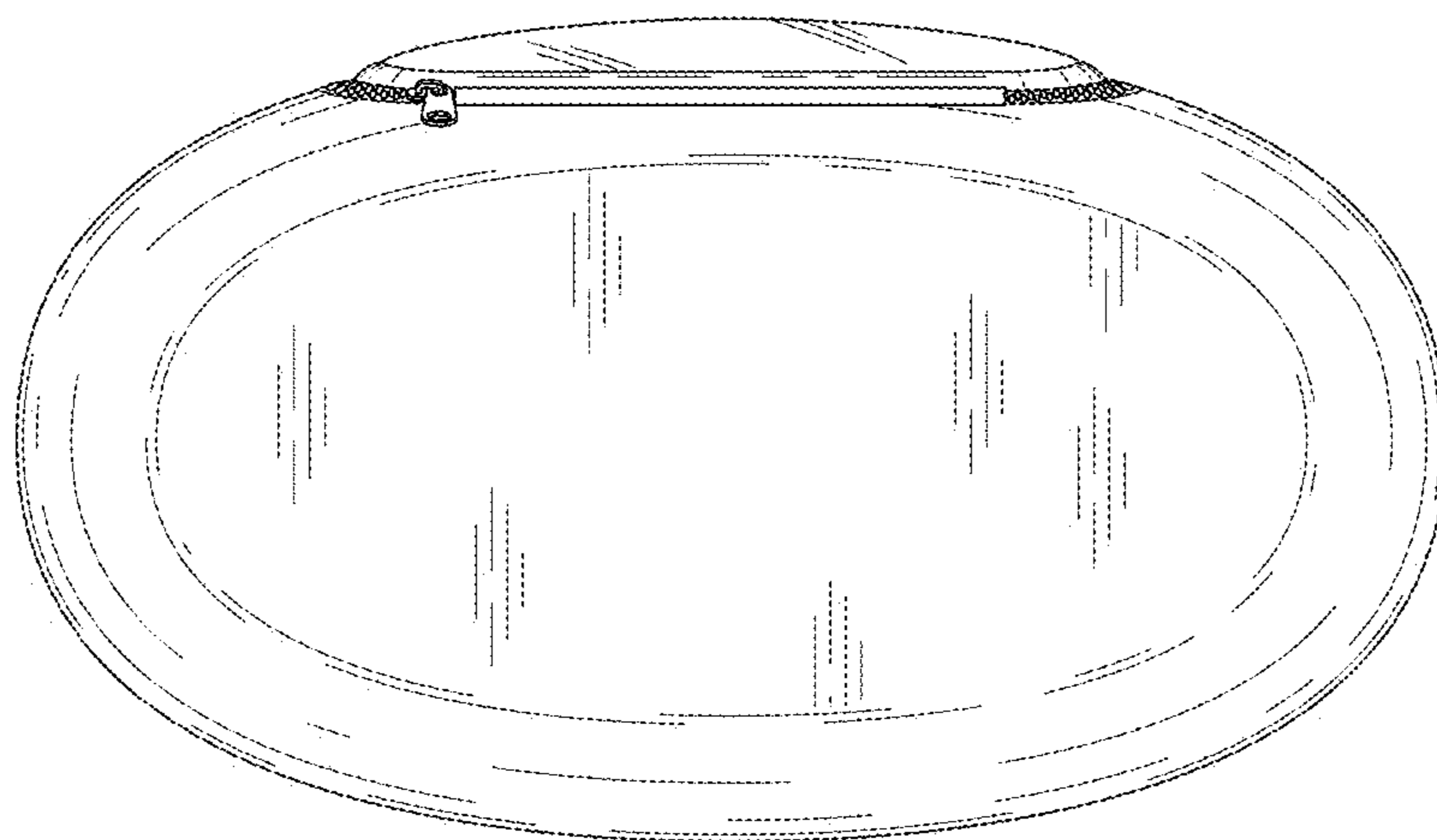


Fig. 7

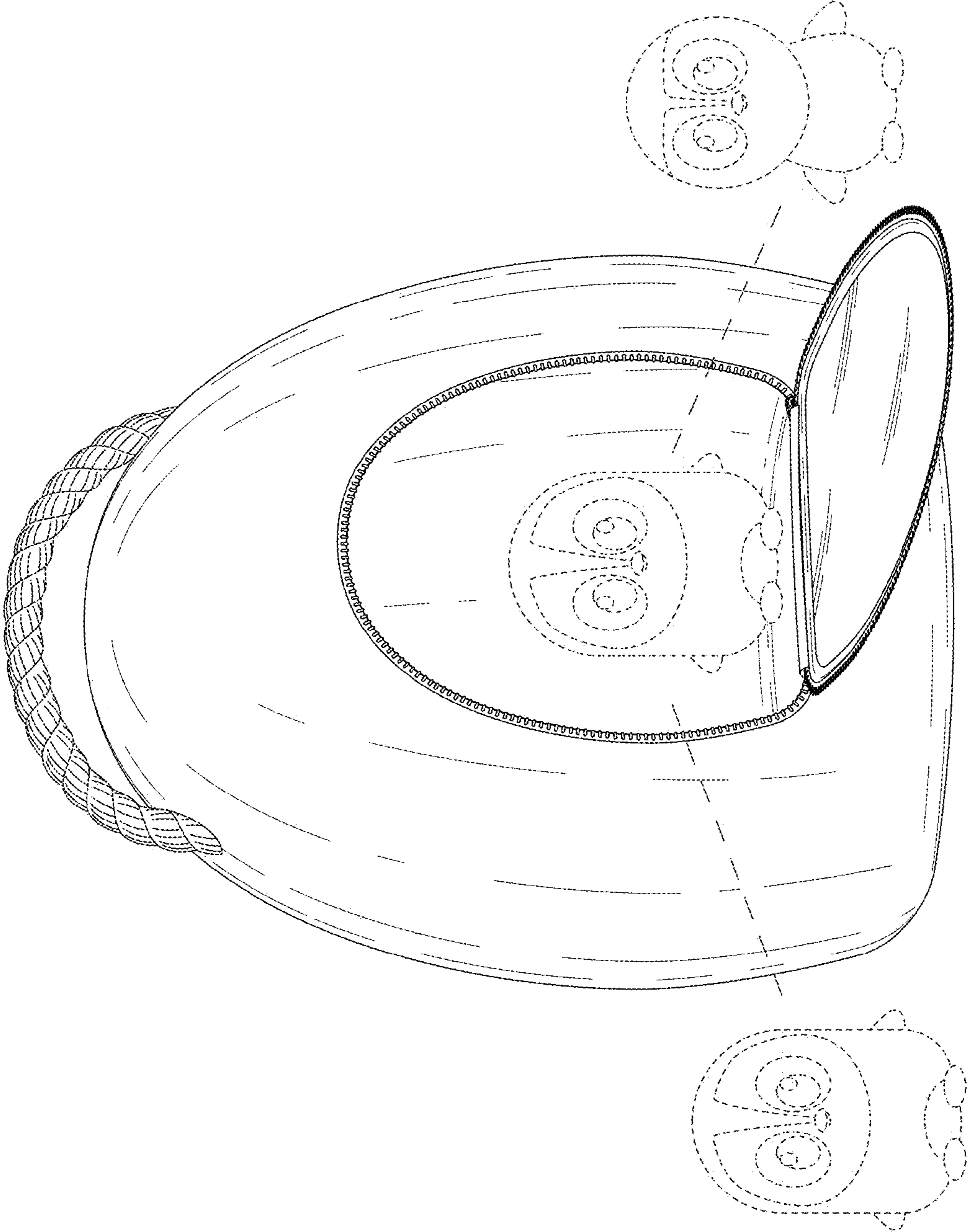


Fig. 8