



US00D970156S

(12) **United States Design Patent** (10) **Patent No.:** **US D970,156 S**
Patel (45) **Date of Patent:** **** Nov. 22, 2022**

(54) **EXERCISE VEST**
(71) Applicant: **Chaneil Patel**, Pinner (GB)
(72) Inventor: **Chaneil Patel**, Pinner (GB)
(73) Assignee: **Zelafit Ltd.**, Pinner (GB)
(**) Term: **15 Years**

AU 202113933 6/2021
CN 702021030285259 5/2021
EM 700000008511836 4/2021
GB 702021006146204 7/2021
GB 702021006150690 7/2021
GB 702021006180350 12/2021
GB 702021006180351 12/2021

(Continued)

(21) Appl. No.: **29/864,512**
(22) Filed: **Jun. 1, 2022**
(51) **LOC (13) Cl.** **02-02**
(52) **U.S. Cl.**
USPC **D2/829**
(58) **Field of Classification Search**
USPC D22/134; D29/100, 101.1, 101.4;
D21/805; D3/213-214, 216;
D2/828-830, 750, 999
CPC A41D 2600/106; A41D 13/0012; A41D
13/0051; A41D 1/04; A41D 1/08; A41D
1/084; Y10S 224/92; A45F 4/00; B63C
9/08; B63C 9/11; B63C 9/115
See application file for complete search history.

OTHER PUBLICATIONS

ALL REMATE Running Vest Chest Phone Holder, posted May 6, 2022 [online], (retrieved Sep. 20, 2022). Retrieved from the internet, https://www.amazon.com/ALL-REIMATE-Adjustable-Waistband-Reflective/dp/B09ZP821SB/ref=sr_1_17_sspa?keywords=fitness+focused+running%2%E2%80%A6 (Year: 2022).*

(Continued)

Primary Examiner — Kevin K Rudzinski
Assistant Examiner — J. Thorn, Sr.
(74) *Attorney, Agent, or Firm* — Nolan IP Law; Jason M. Nolan

(56) **References Cited**

U.S. PATENT DOCUMENTS

D461,037 S * 8/2002 Shutsa, Sr. D2/829
D641,960 S 7/2011 Goff
D654,249 S * 2/2012 Stout D2/839
D766,548 S 9/2016 Stout
D779,738 S * 2/2017 Chow D29/101.4
D809,746 S * 2/2018 Ye D2/829
D825,060 S * 8/2018 Finch D3/216
D930,909 S * 9/2021 Gough D2/829
D961,888 * 8/2022 Benoliel D2/829
2021/0235780 A1 * 8/2021 Prinzing A41D 1/002

FOREIGN PATENT DOCUMENTS

AU 201816125 10/2018
AU 201816126 10/2018
AU 201816127 10/2018

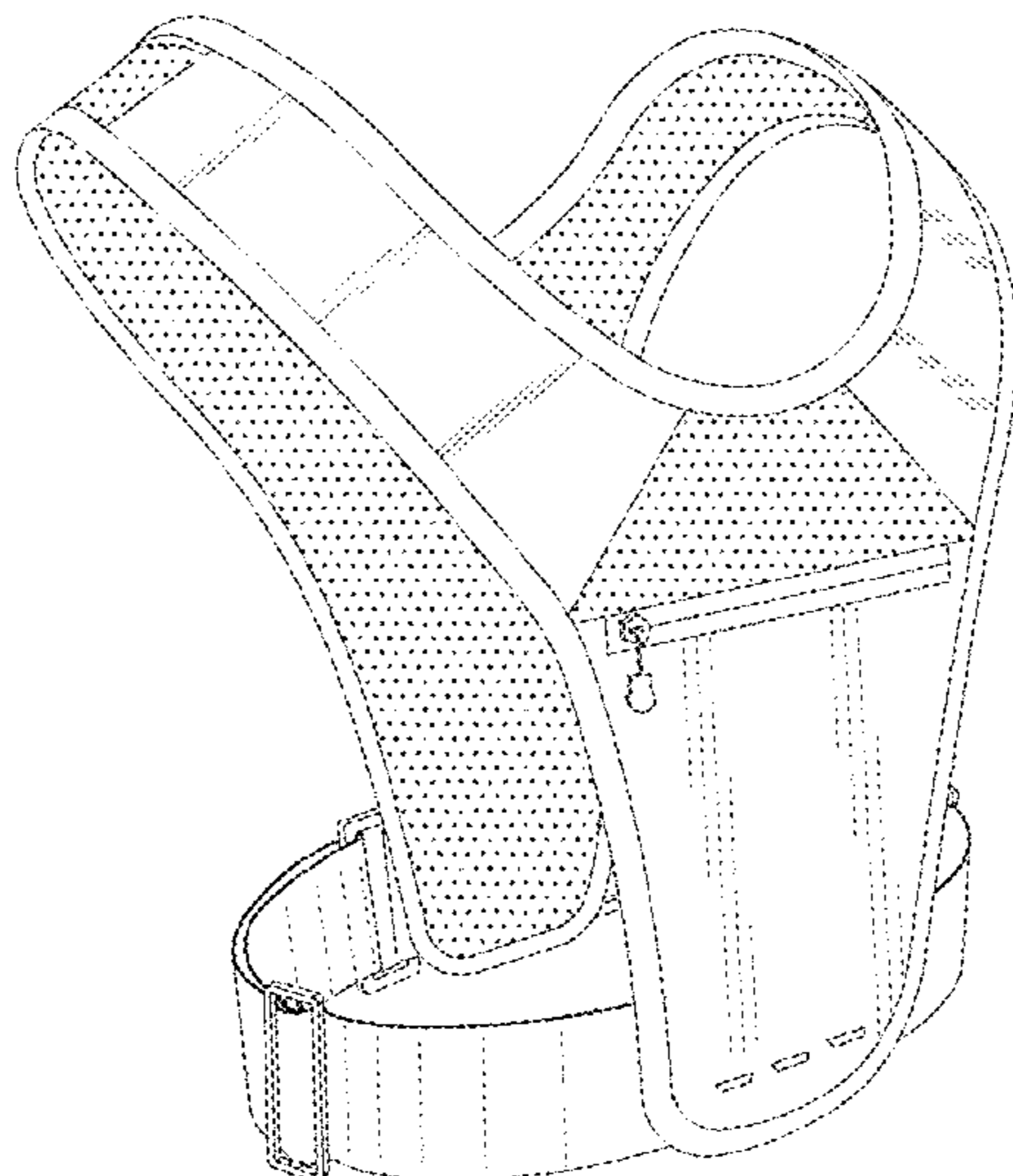
(57) **CLAIM**

The ornamental design for an exercise vest, as shown and described.

DESCRIPTION

FIG. 1 is a front perspective view in accordance with an exercise vest;
FIG. 2 is a rear perspective view of the design of FIG. 1;
FIG. 3 is a front elevation view of the design of FIG. 1;
FIG. 4 is a rear elevation view of the design of FIG. 1;
FIG. 5 is a plan view of the design of FIG. 1;
FIG. 6 is a bottom view of the design of FIG. 1;
FIG. 7 is a right-side view of the design of FIG. 1; and,
FIG. 8 is a left-side view of the design of FIG. 1.

1 Claim, 8 Drawing Sheets



(56)

References Cited

FOREIGN PATENT DOCUMENTS

GB	702021006180352	12/2021
GB	702021006180353	12/2021
GB	702021006180354	12/2021
GB	702021006180355	12/2021
GB	702021006180356	12/2021
GB	702021006180357	12/2021
GB	702021006180359	12/2021
GB	702021006180360	12/2021
GB	702021006180361	12/2021
GB	702021006180362	12/2021
GB	702021006180363	12/2021
GB	702021006180983	12/2021
GB	702022006187900	1/2022

OTHER PUBLICATIONS

Maxinity Running Vest, reviewed Sep. 23, 2022 [online], (retrieved Sep. 20, 2022). Retrieved from the internet, https://www.amazon.com/dp/B09ZDJFKGH/ref=sspa_dk_detail_1?ie=UTF8&psc=1&pd_rd_i=&pd_rd_i=B09ZDJFKGHp13NParams&s=sporting-goods%E2%80%A6 (Year: 2022).*

Revali USA running vest, reviewed Mar. 9, 2021 [online], (retrieved Sep. 20, 2022). Retrieved from the internet, https://www.amazon.com/dp/B08RBPBNT/ref=sspa_dk_detail_0?pd_rd_i=B08RBPBNT&pd_rd_w=kHun3&content-id=amzn1.sym.3481f441-61ac-%E2%80%A6&th=1 (Year: 2021).*

Apex Smart Vest, <https://apexsportswear.store/products/apex-training-vest>, Mar. 17, 2022.

Fitness Focused Running/Training Vest Cell Phone, <https://www.amazon.com/Fitness-Focused-Accessories-Versatile-Adjustable/dp/B0BJX5KMJT>, Mar. 11, 2022.

Freetrain V1 Vest, https://www.amazon.com/Freetrain-Vest-Reflective-Breathable-Lightweight/dp/B0939MYHMT/ref=pd_lpo_1?pd_rd_i=B0947FP48B&th=1, Jun. 1, 2022.

Goburn Vest, <https://goburn.co.uk/collections/black-friday-sale/products/goburn-vest-yellow>, Mar. 17, 2022.

* cited by examiner

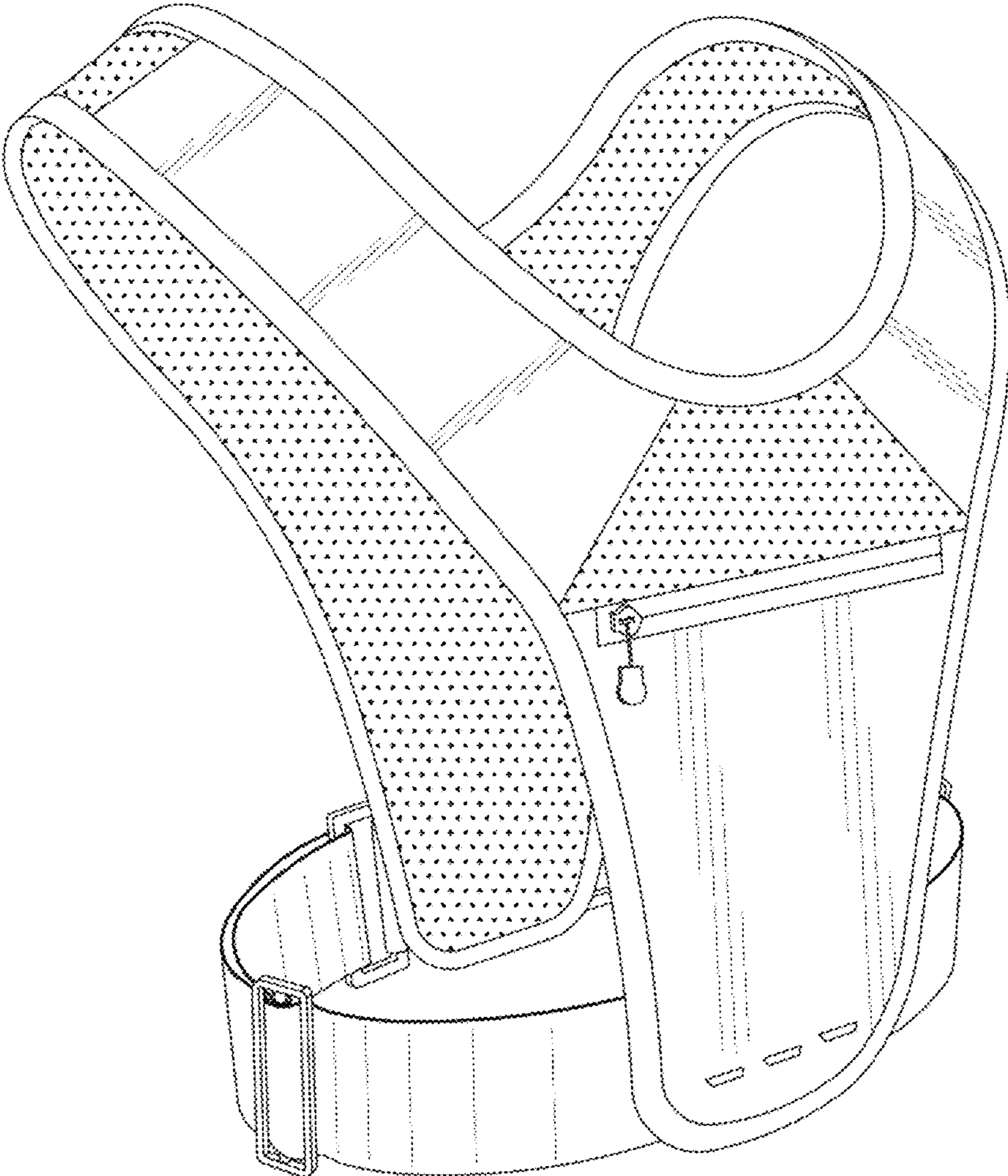


FIG. 1

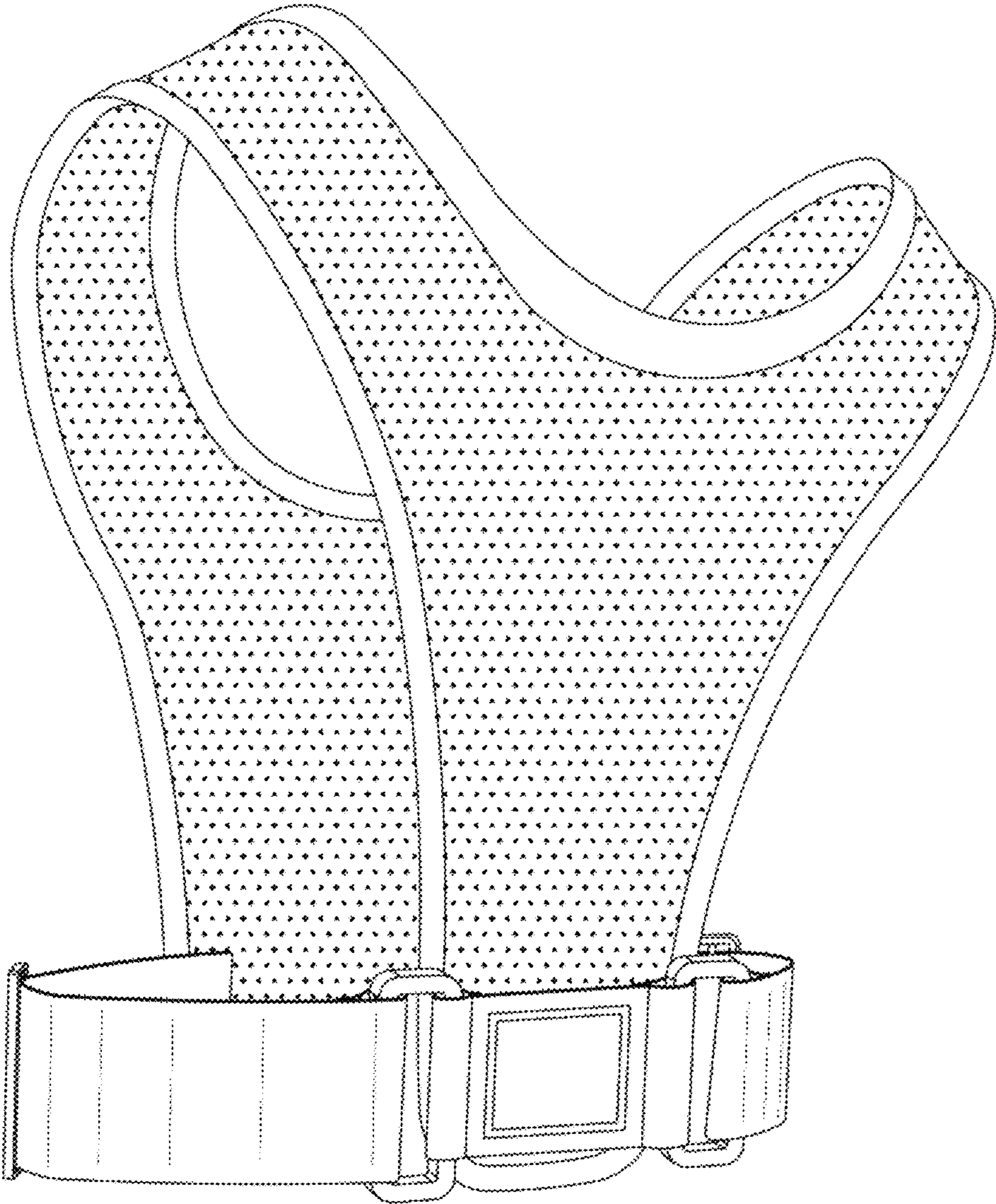


FIG. 2

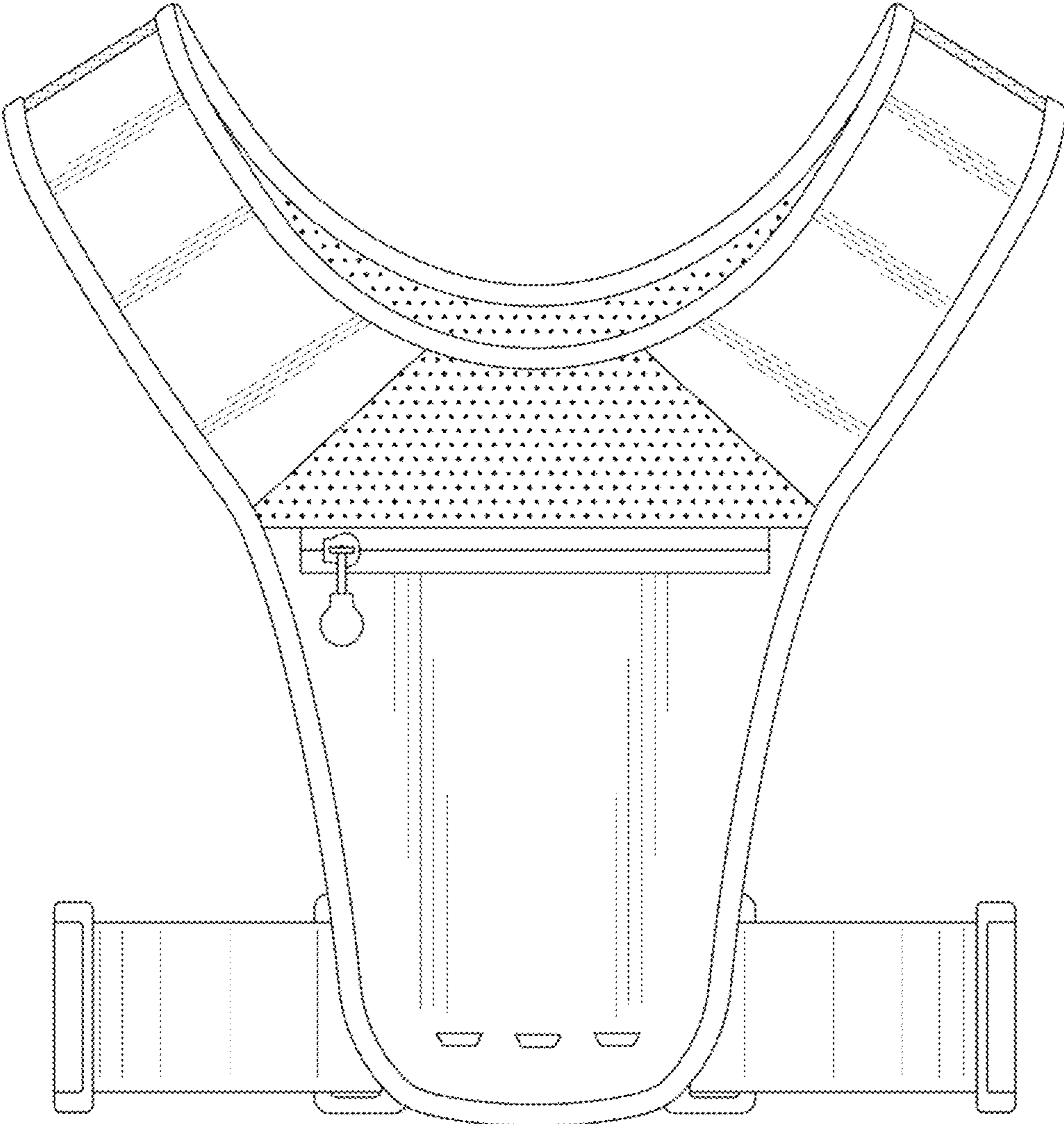


FIG. 3

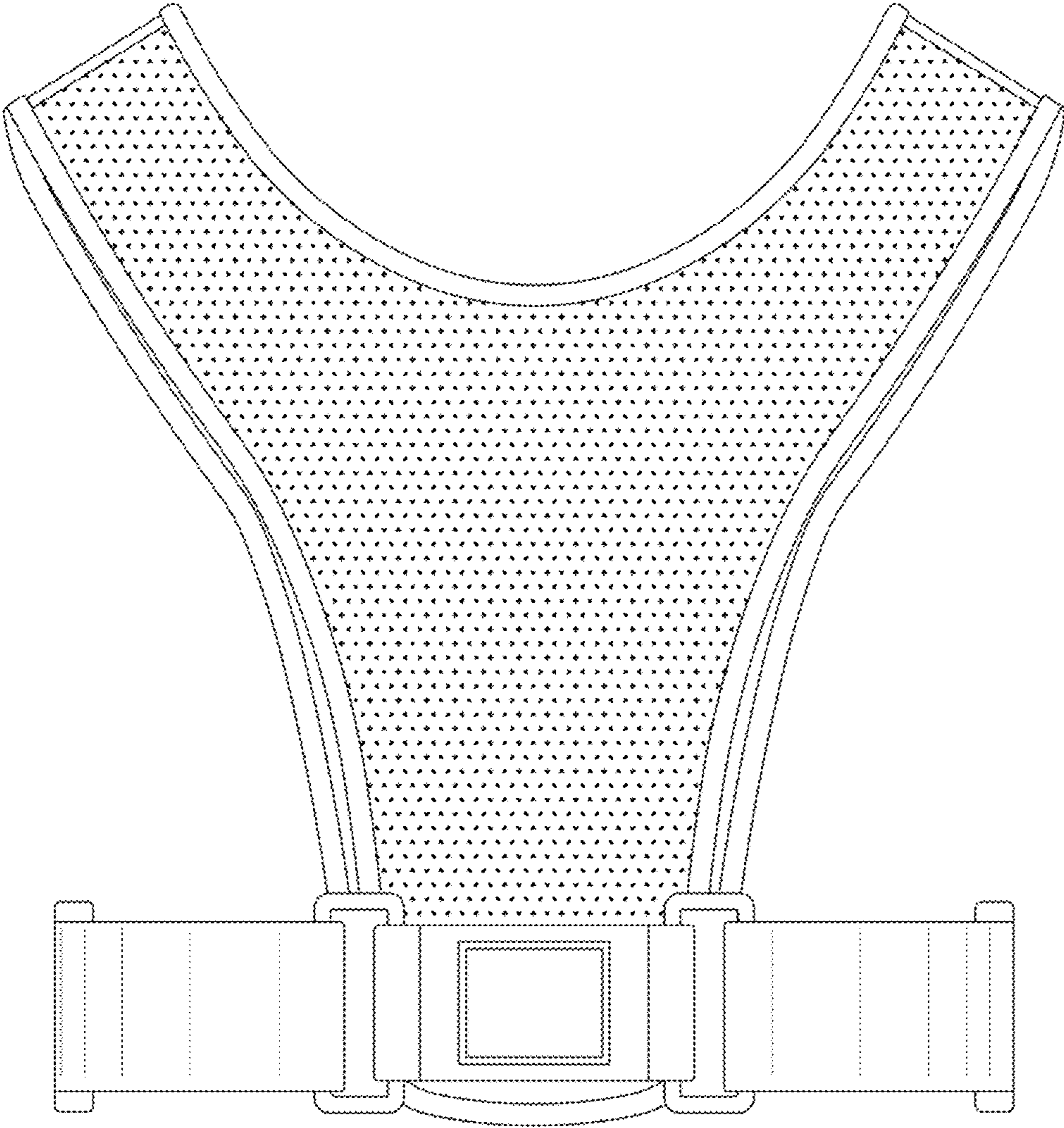


FIG. 4

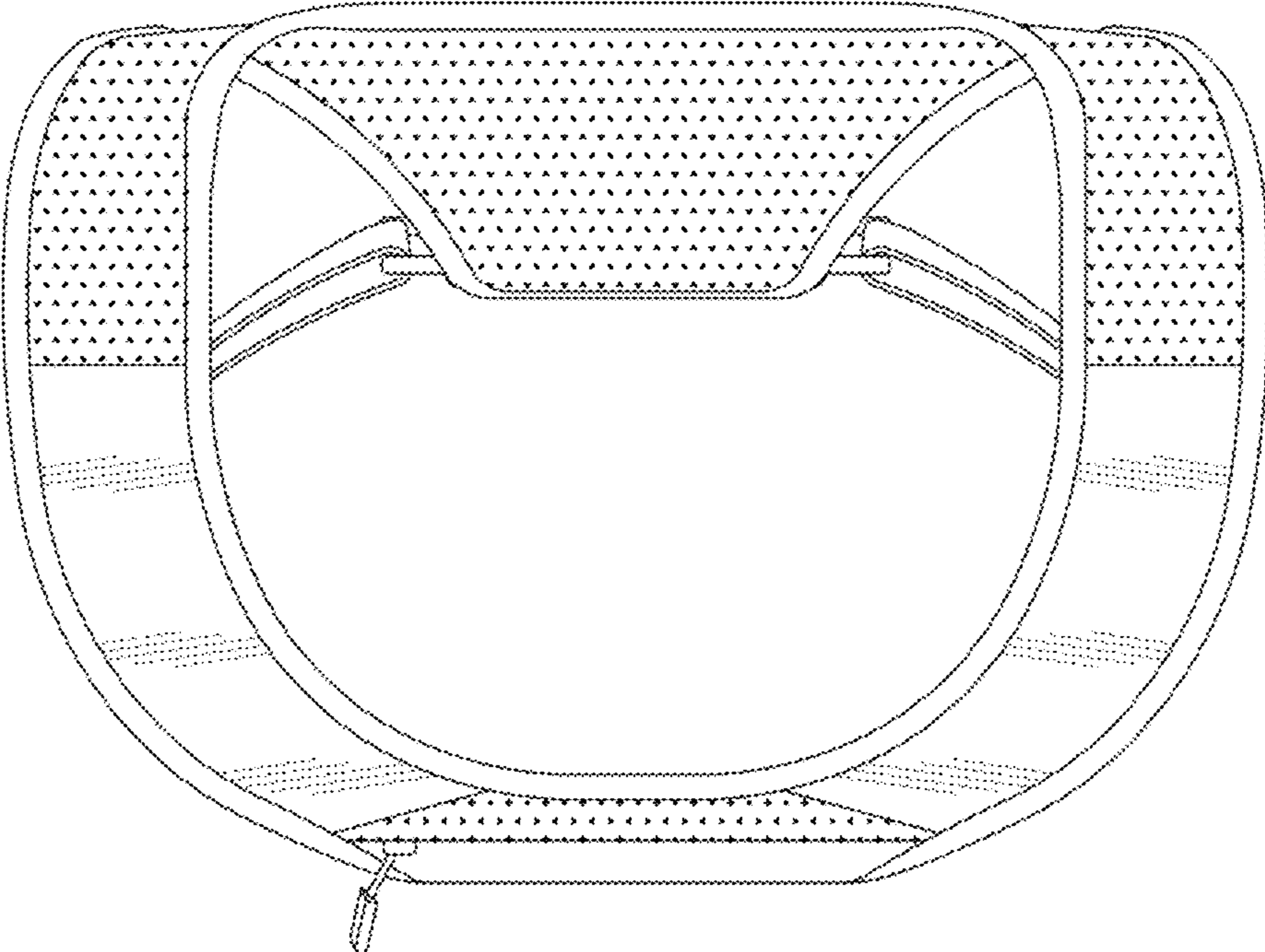


FIG. 5

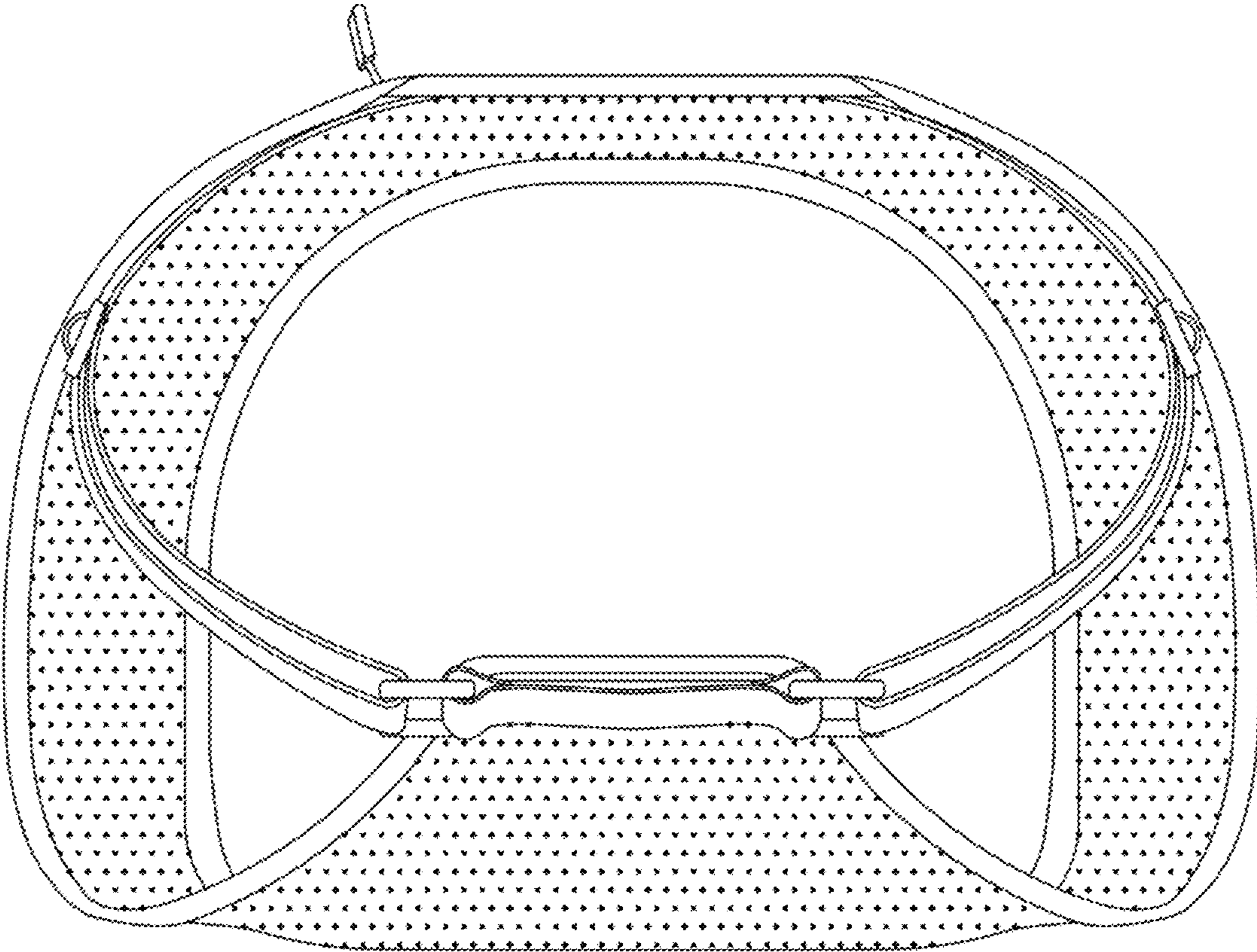


FIG. 6

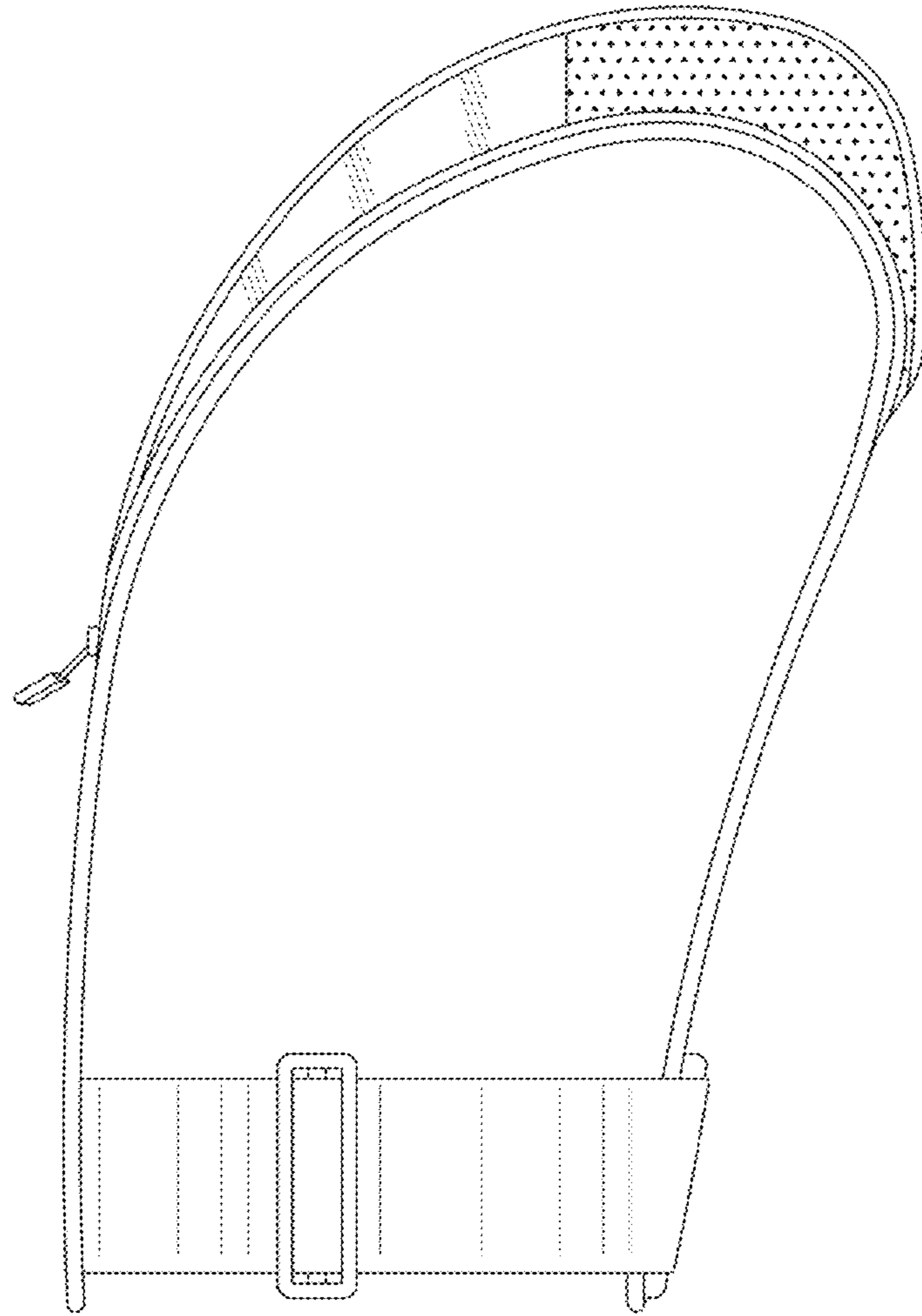


FIG. 7

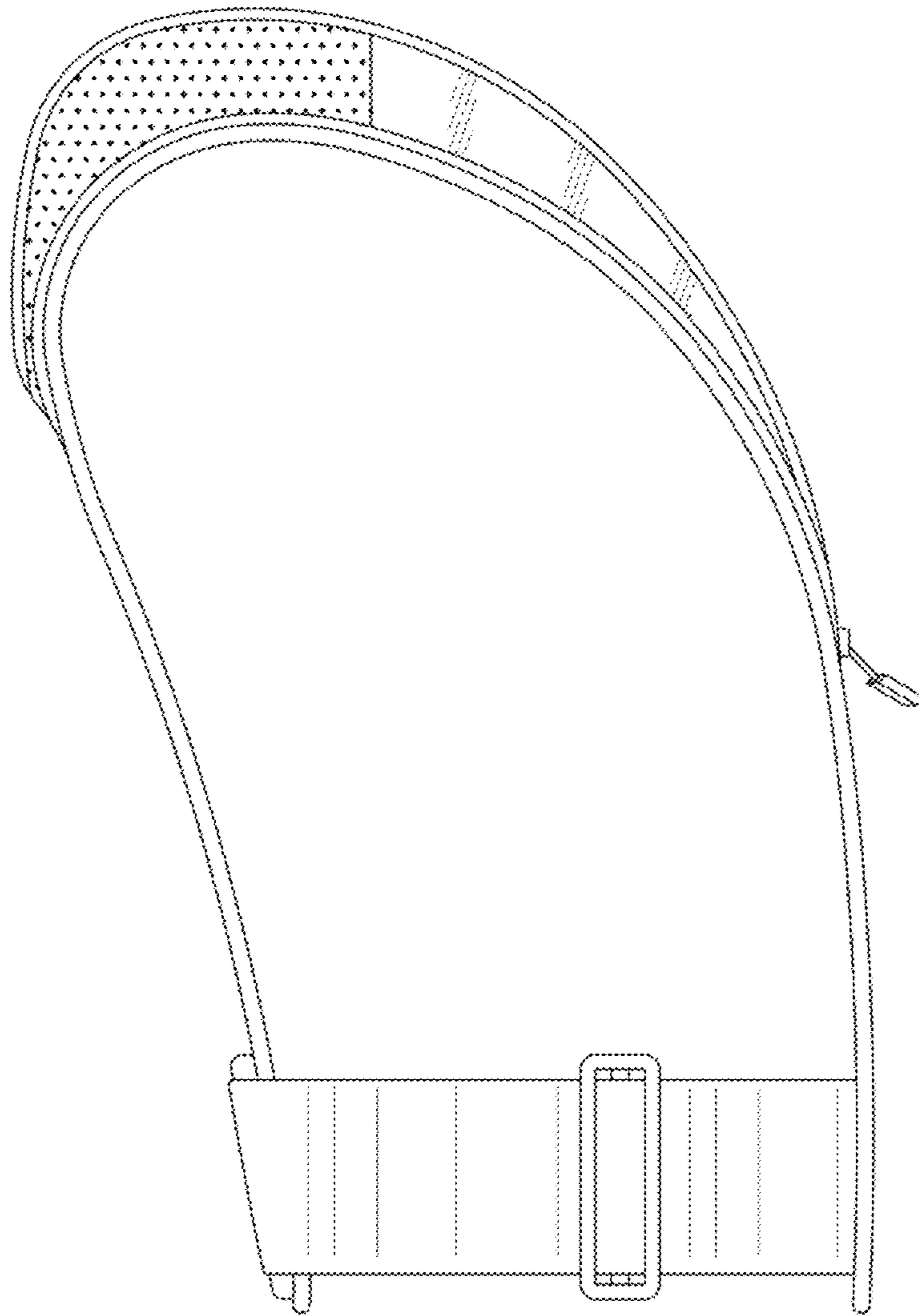


FIG. 8