



US00D970151S

(12) **United States Design Patent** (10) **Patent No.:** **US D970,151 S**
Savioli (45) **Date of Patent:** **** Nov. 22, 2022**

(54) **BUTTON HOOK**

(71) Applicant: **VIVE HEALTH LLC**, Naples, FL (US)
(72) Inventor: **Gaetano Savioli**, Naples, FL (US)
(73) Assignee: **Vive Health LLC**, Naples, FL (US)
(**) Term: **15 Years**
(21) Appl. No.: **29/736,231**
(22) Filed: **May 28, 2020**
(51) **LOC (13) Cl.** **07-99**
(52) **U.S. Cl.**
USPC **D2/643**
(58) **Field of Classification Search**
USPC D2/641-643; D3/18-29; D8/107
CPC .. A41F 1/00; A41F 1/002; A41F 1/004; A41F 1/006; A41F 1/008; A41F 1/02; A41F 1/04; A41F 1/06; A41F 1/08
See application file for complete search history.

(56) **References Cited**

U.S. PATENT DOCUMENTS

D19,860 S * 5/1890 Hubbard D11/231
D27,252 S * 6/1897 Haskett 24/40
D41,298 S * 4/1911 Carlson D8/DIG. 4
D57,385 S * 3/1921 Schuler D8/382
D136,636 S * 11/1943 Gray D15/78
D175,577 S * 9/1955 Young D8/30
D195,258 S * 5/1963 Fredensburg D2/643
D199,894 S * 12/1964 Huffaker D8/402
D204,926 S * 5/1966 Donoghue D15/78
D214,005 S * 4/1969 Hillson D2/642
D286,461 S * 11/1986 Higgins 294/3.6
D325,295 S * 4/1992 Shepard D2/643

(Continued)

FOREIGN PATENT DOCUMENTS

CN 300762118 * 4/2008
CN 305543198 * 1/2020

(Continued)

OTHER PUBLICATIONS

The Button Hook: Model V by Vive, available at youtube.com, posted Sep. 21, 2021 [online], site visited Mar. 3, 2022, available from the internet URL: <https://www.youtube.com/watch?v=3tZepG5gV3I> (Year: 2021).*

(Continued)

Primary Examiner — Messina L Smith

Assistant Examiner — Jillian Mazzola

(74) *Attorney, Agent, or Firm* — Workman Nydegger

(57) **CLAIM**

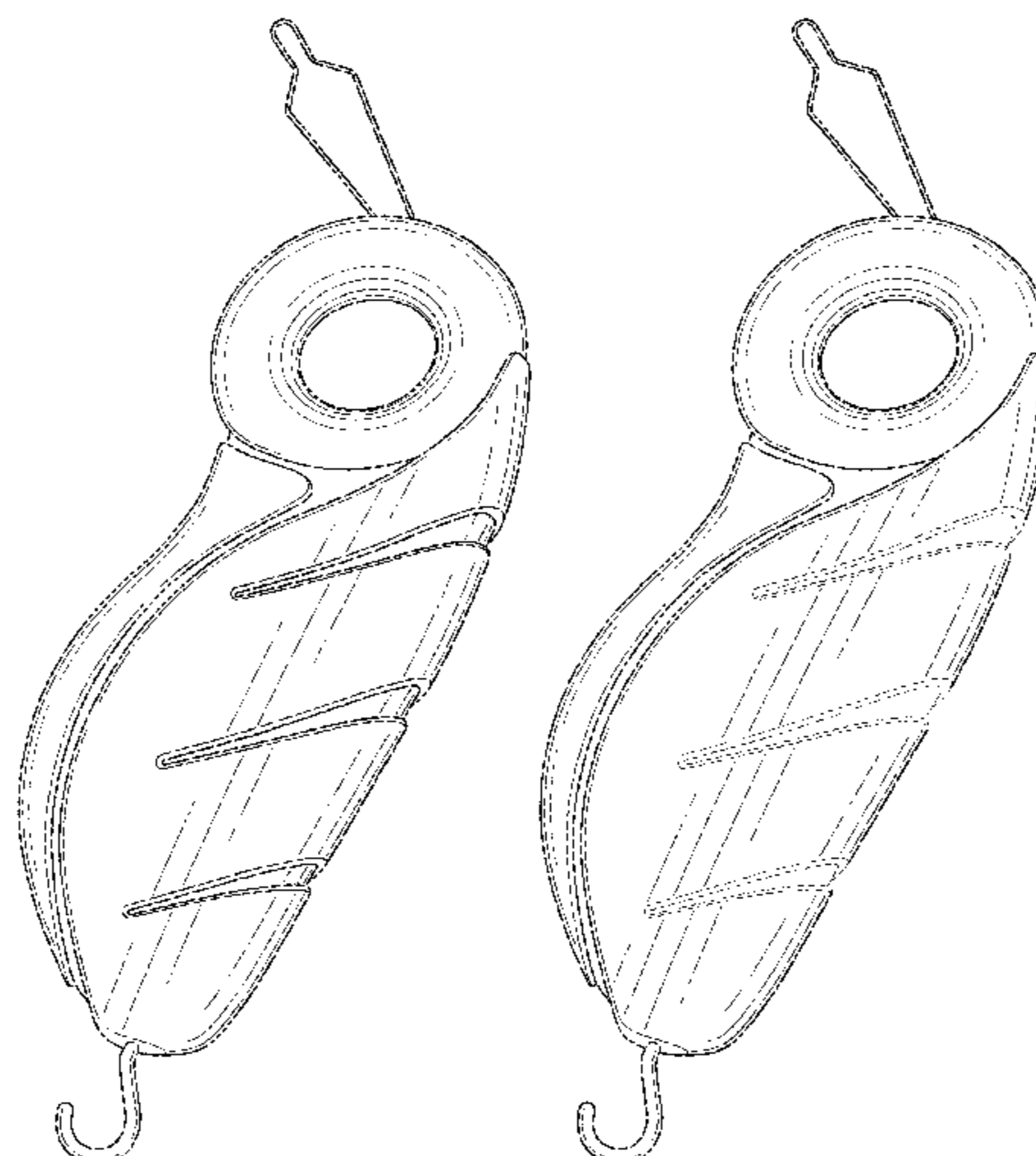
The ornamental design for a button hook, as shown and described.

DESCRIPTION

FIG. 1 is a front perspective view of a button hook showing the new design in a first embodiment; FIG. 2 is a left elevation view thereof; FIG. 3 is a right elevation view thereof; FIG. 4 is a top plan view thereof; FIG. 5 is a bottom plan view thereof; FIG. 6 is a back elevation plan view thereof; FIG. 7 is a front elevation view thereof; FIG. 8 is a front perspective view of the button hook shown in a second embodiment; FIG. 9 is a left elevation view thereof; FIG. 10 is a right elevation view thereof; FIG. 11 is a top plan view thereof; FIG. 12 is a bottom plan view thereof; FIG. 13 is a back elevation view thereof; and, FIG. 14 is a front elevation view thereof.

The broken lines in the drawings are for the purpose of illustrating portions of the button hook that form no part of the claimed design.

1 Claim, 14 Drawing Sheets



(56)

References Cited

U.S. PATENT DOCUMENTS

D357,619 S * 4/1995 Osmar D8/34
 D385,358 S * 10/1997 Carlson D24/192
 D386,052 S * 11/1997 Nasir D8/14
 D406,521 S * 3/1999 Schmura D8/107
 D415,873 S * 11/1999 Doles D2/643
 D418,476 S * 1/2000 Nickel D12/400
 D485,964 S * 2/2004 Scott D2/643
 D490,680 S * 6/2004 Levine D8/83
 D581,766 S * 12/2008 Heneen D8/107
 D611,157 S * 3/2010 Peters D24/192
 D634,601 S * 3/2011 Good D8/107
 D678,031 S * 3/2013 Wang D8/322
 D679,976 S * 4/2013 Chiu D8/107
 D774,726 S * 12/2016 Kuna D2/643
 D929,204 S * 8/2021 Su D8/107
 D938,600 S * 12/2021 Kersen D24/192
 2017/0140677 A1 * 5/2017 Ibanez Fernandez De Lis
 A44B 17/0035

FOREIGN PATENT DOCUMENTS

CN 305962597 * 8/2020
 CN 307065233 * 1/2022
 JP D1287665 * 12/2006
 JP D1302544 * 6/2007

OTHER PUBLICATIONS

Button Hook Model V by Vive, available at amazon.com, earliest date available Jun. 11, 2020 [online], site visited Mar. 3, 2022, available from the internet URL: <https://www.amazon.com/Button-Hook-Finger-Hole-Black/dp/B08B2LCZ29?th=1> (Year: 2020).*

Button and Zip with No Grip Tool Package of 2, available at thewrightstuff.com, earliest customer review date May 10, 2021 [online], site visited Mar. 3, 2022, available from the internet URL: <https://www.thewrightstuff.com/button-zip-no-grip-tool-pkg-2.html>? (Year: 2021).*

Fabrication Button Aids, available at rehab-store.com, date not available [online], site visited Mar. 3, 2022, available from the internet URL: https://www.rehab-store.com/p-fabrication-button-aids.html?gclid=EAIaIQobChMI8ciD4aWq9gIVEYvICH1-tAWMEAQYEiABEgJrofD_BwE (Year: 2022).*

Toucan Contactless door opener, available at etsy.com, earliest date available Nov. 7, 2021 [online], site visited Mar. 3, 2022, available from the internet URL: <https://www.etsy.com/listing/814562778/toucan-contactless-door-opener-germ> (Year: 2021).*

* cited by examiner

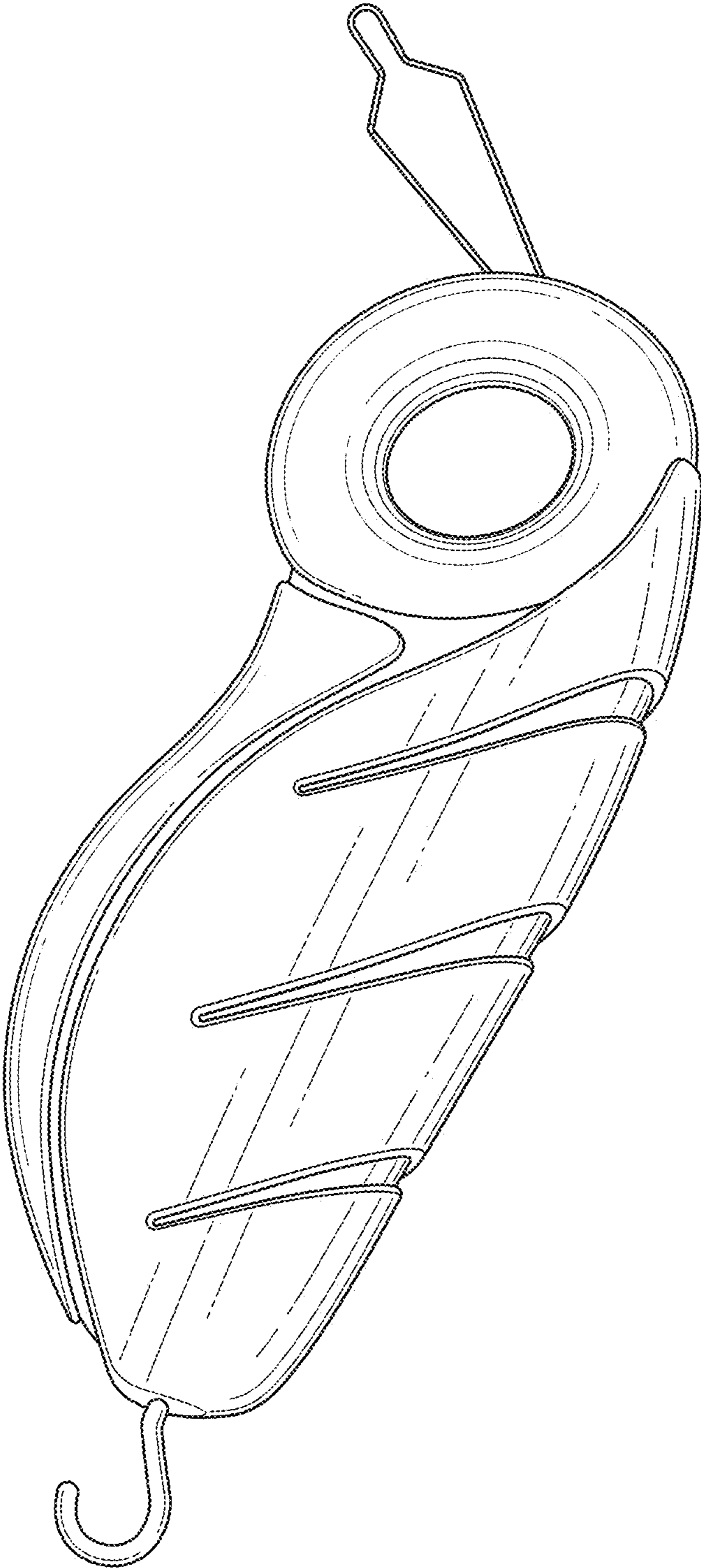


FIG. 1

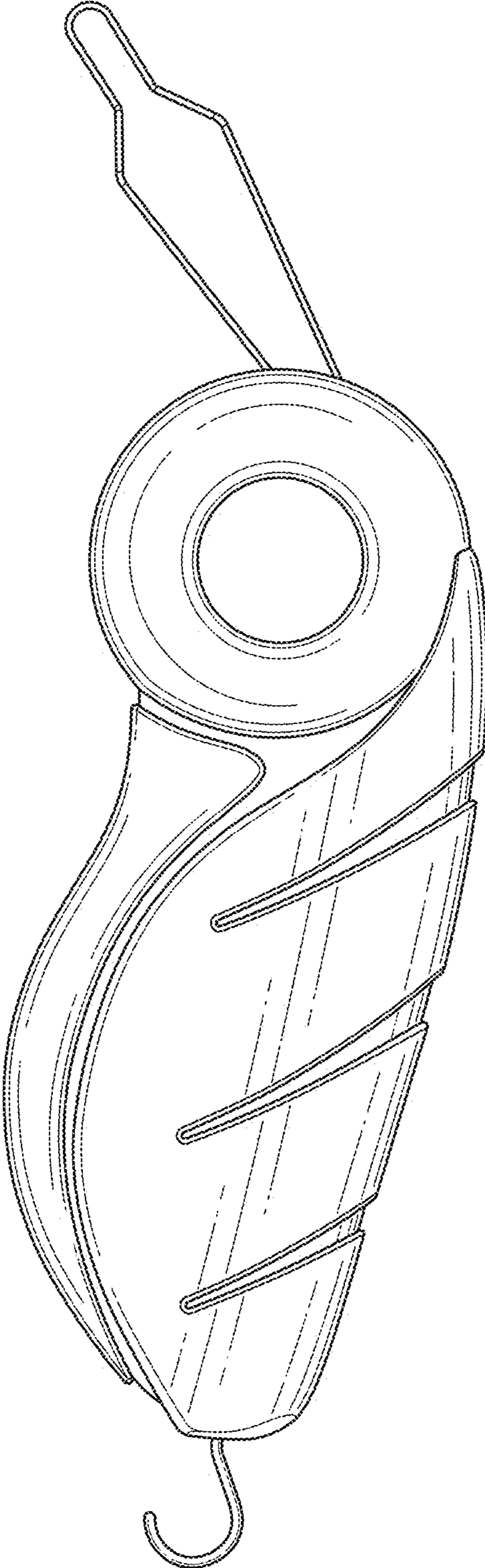


FIG. 2

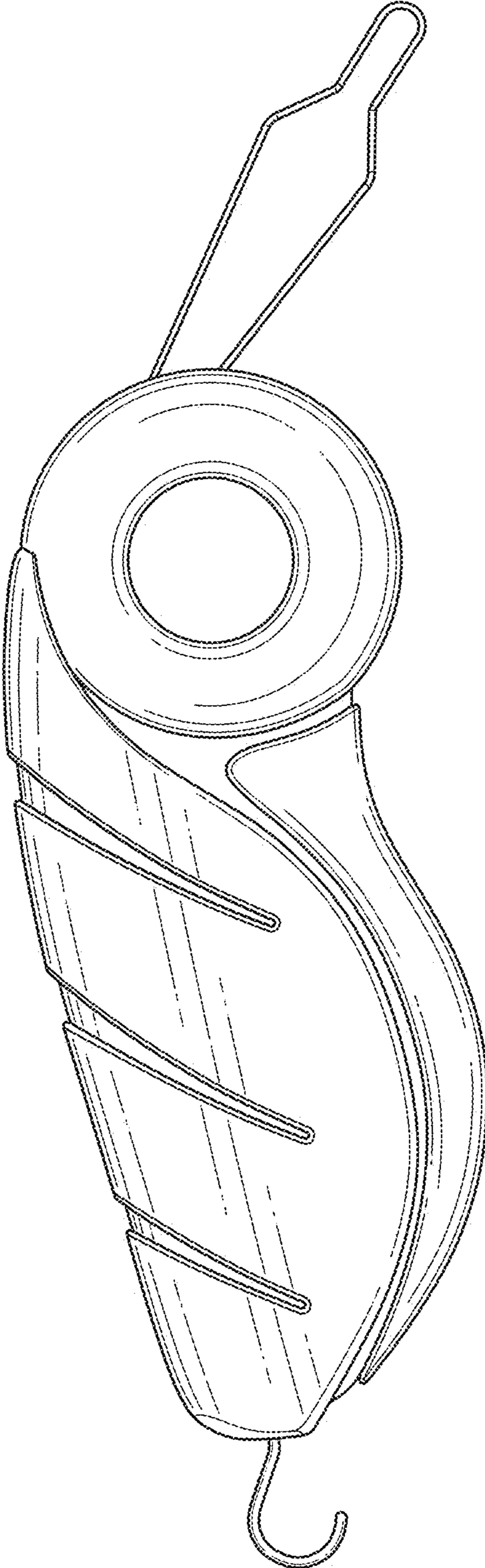


FIG. 3

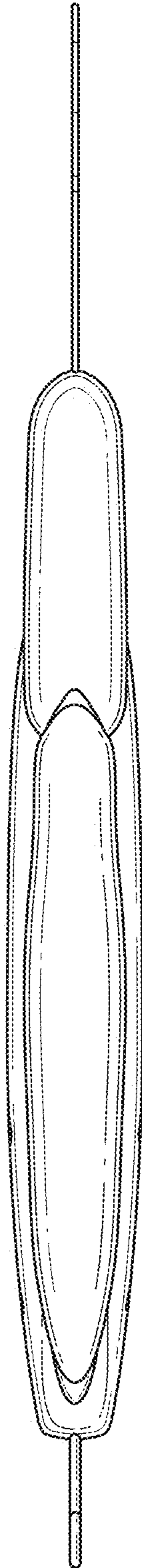


FIG. 4

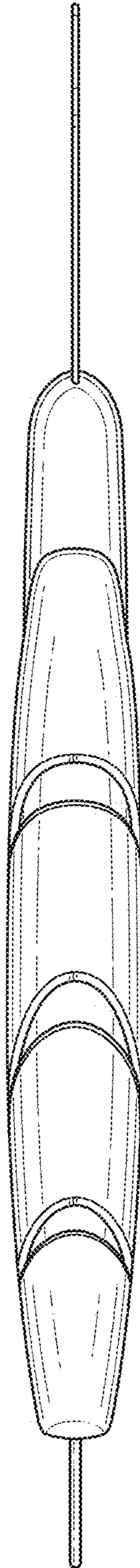


FIG. 5

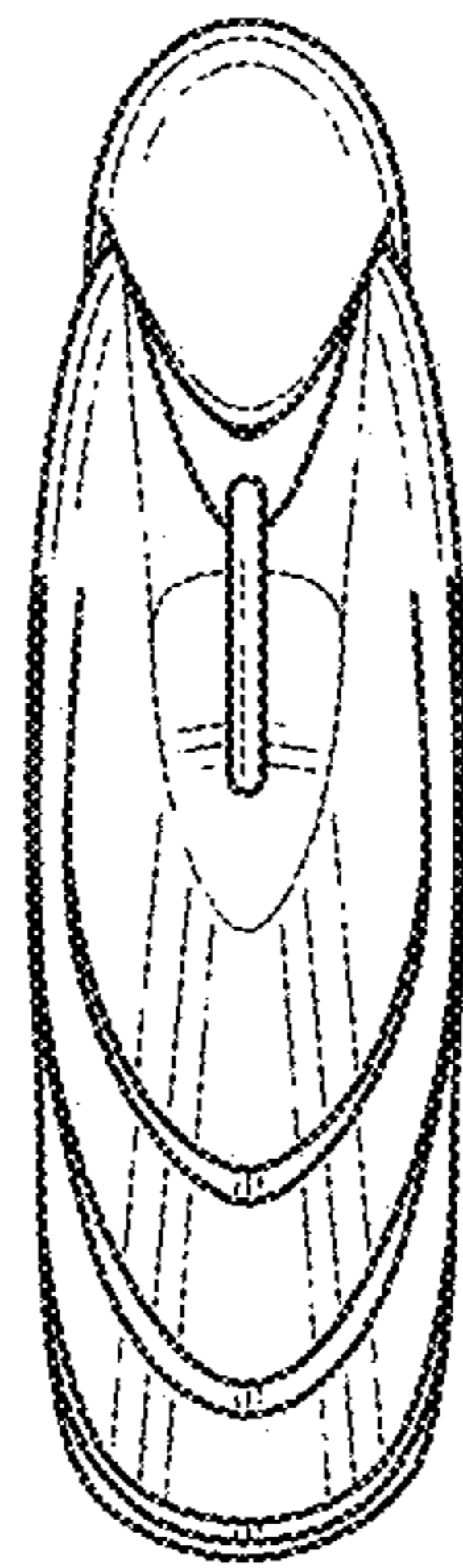


FIG. 6



FIG. 7

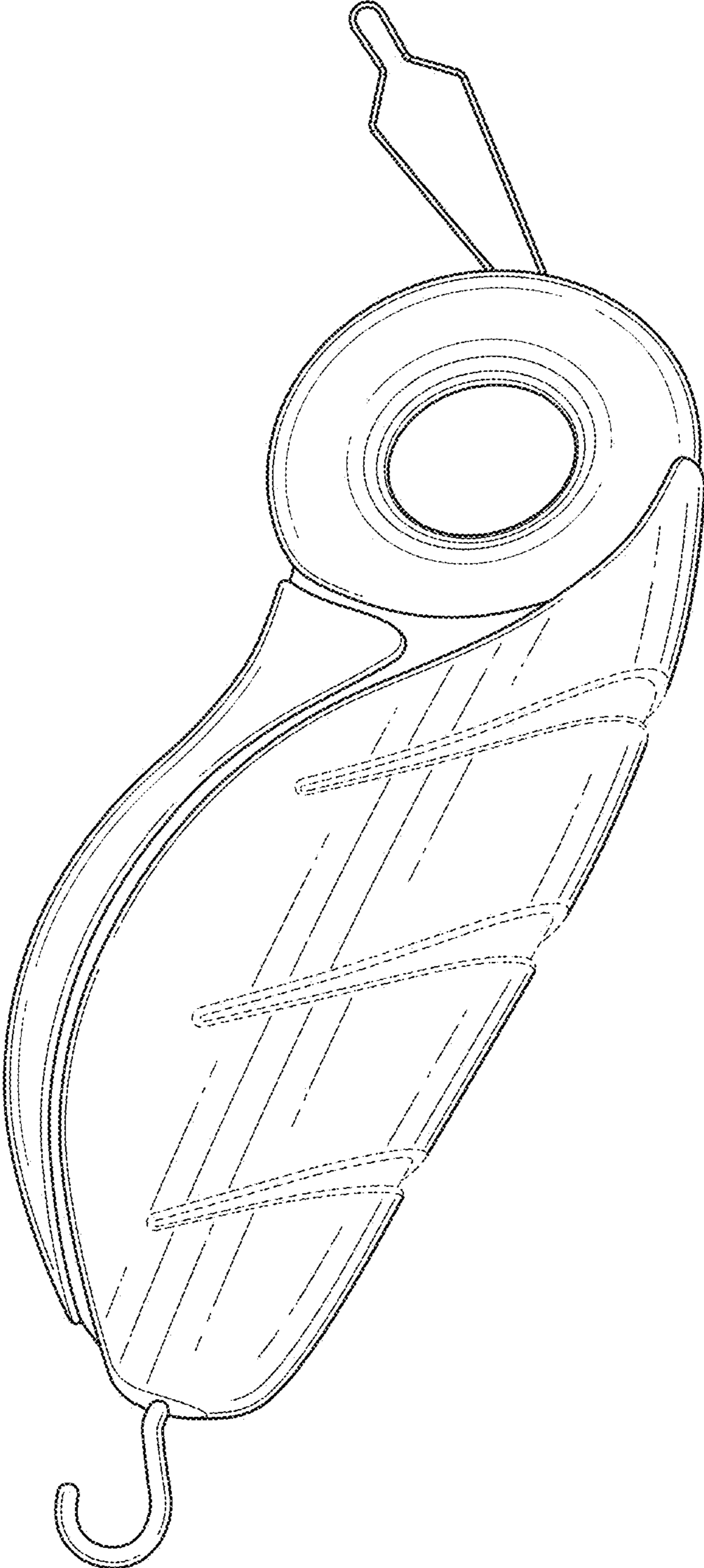


FIG. 8

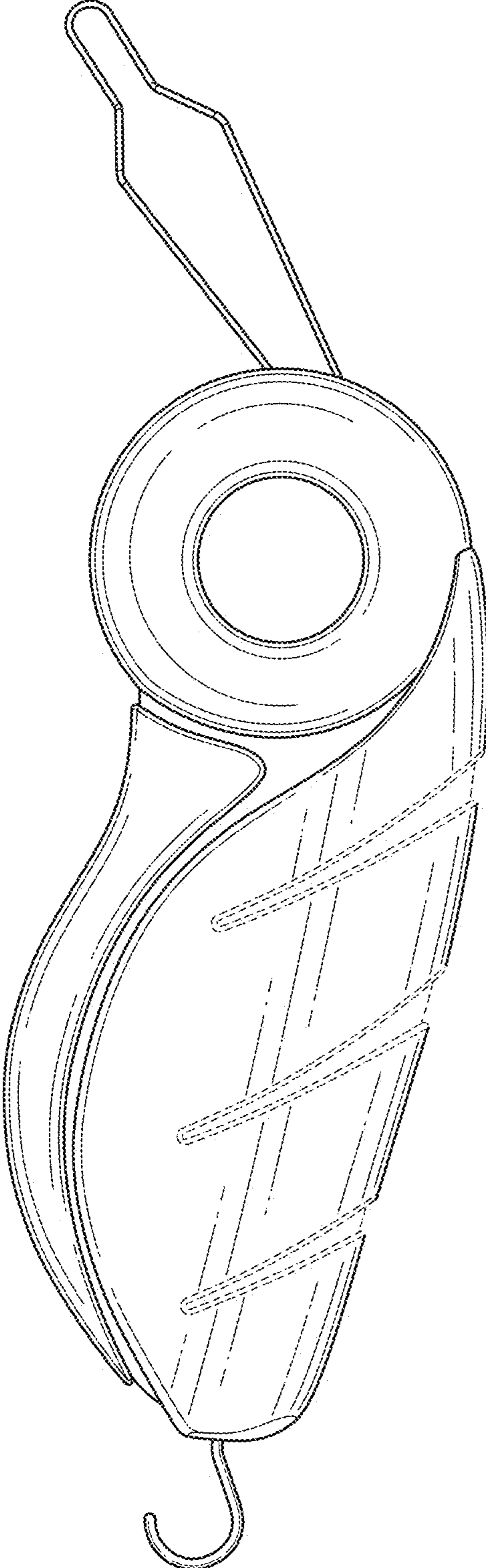


FIG. 9

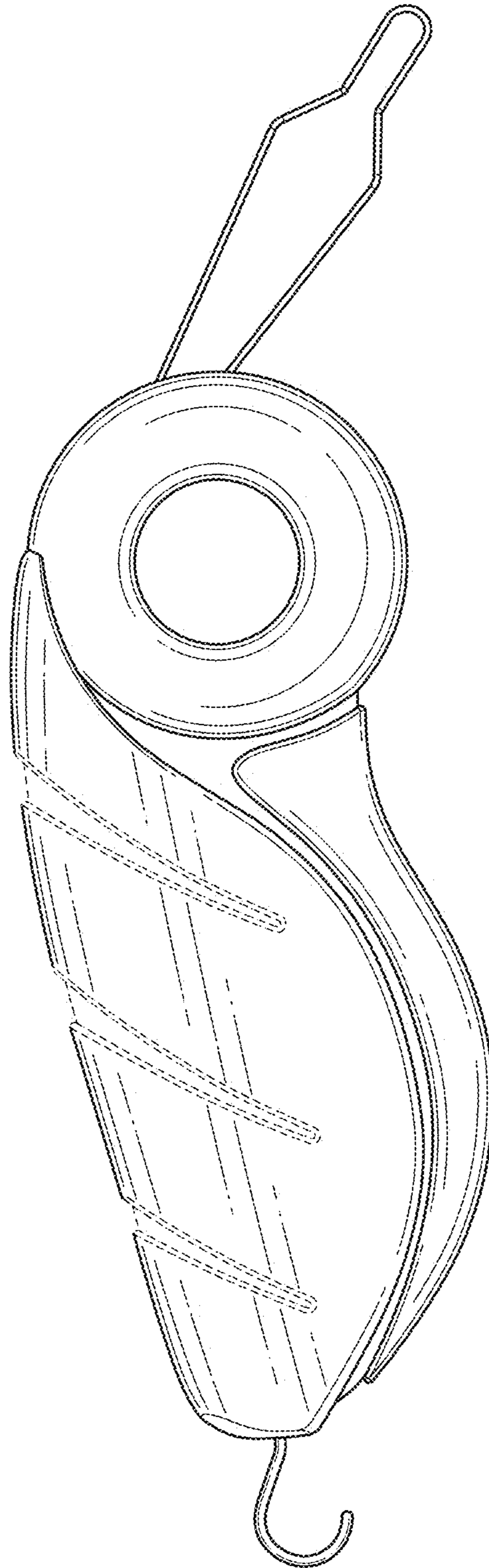


FIG. 10

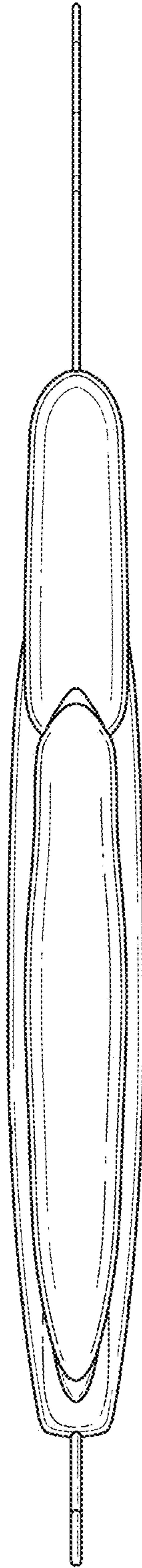


FIG. 11

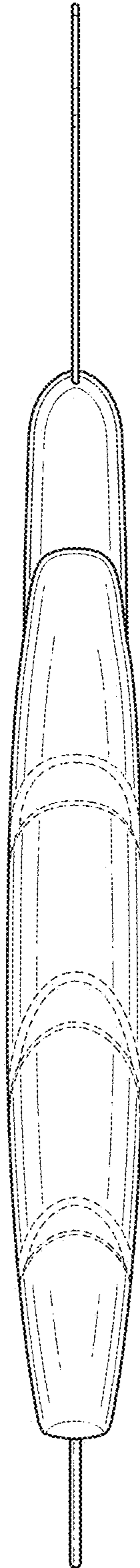


FIG. 12

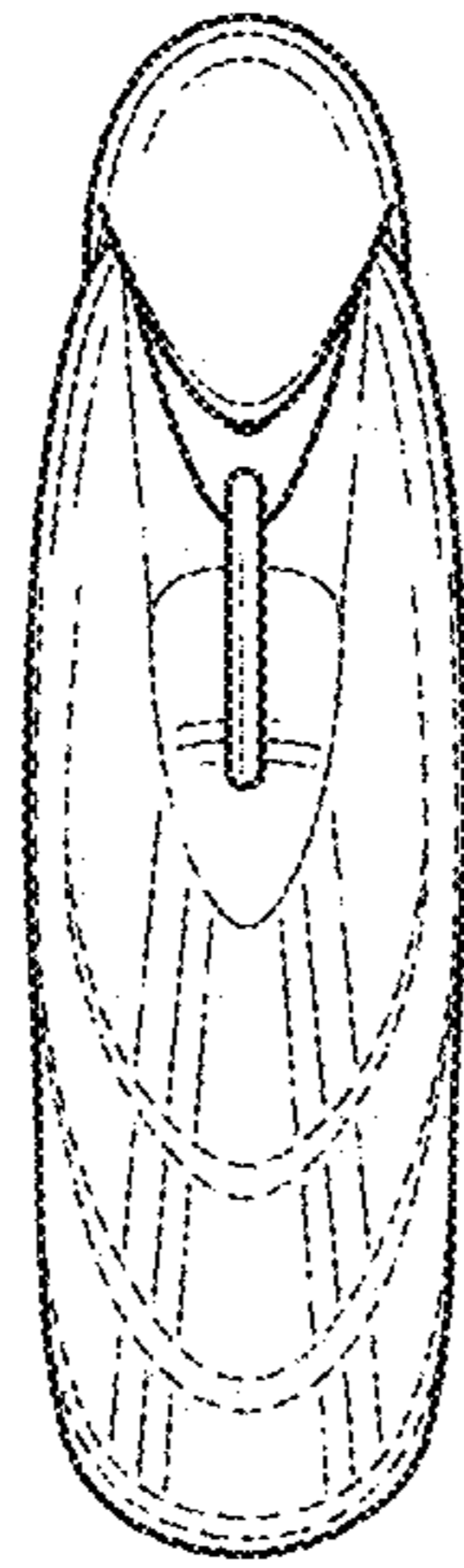


FIG. 13

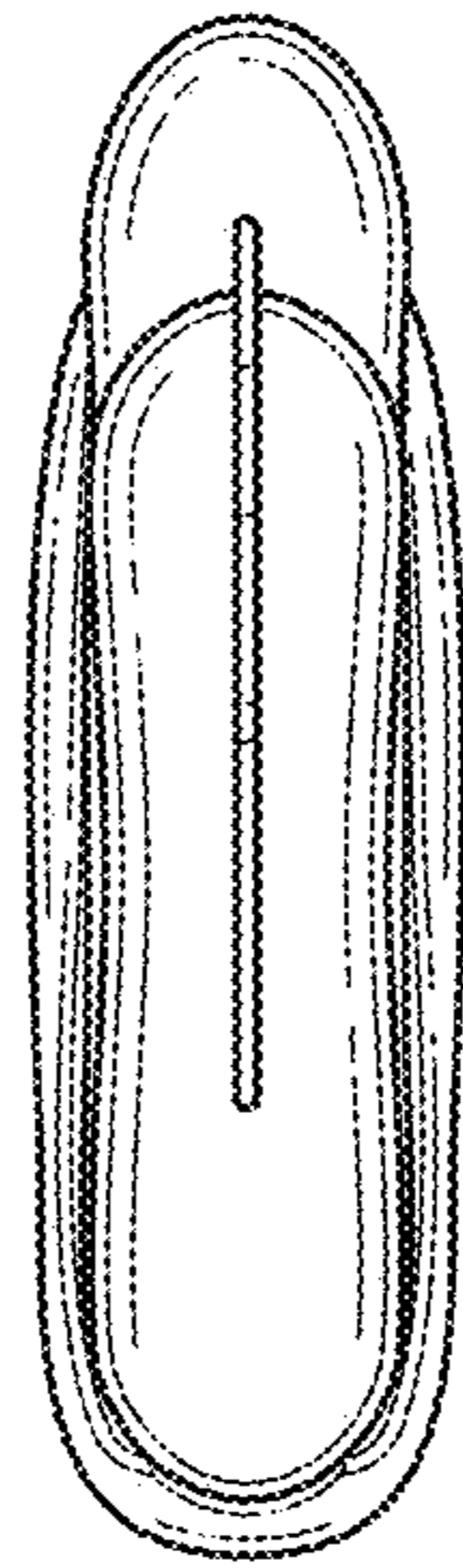


FIG. 14