

US00D970150S

(12) **United States Design Patent** (10) **Patent No.:** **US D970,150 S**  
**Conti et al.** (45) **Date of Patent:** **\*\* Nov. 22, 2022**

(54) **FOOTWEAR ACCESSORY FOR LIFTING SHOE TONGUE**

D393,988 S \* 5/1998 Rogers ..... D7/708.1  
D400,704 S \* 11/1998 Leinberger ..... D3/215  
D408,961 S \* 5/1999 Myers ..... D2/639  
D410,746 S \* 6/1999 Klein ..... D24/192

(71) Applicants: **Jamison Barron Conti**, Goleta, CA  
(US); **Sam Nelson Smith**, Goleta, CA  
(US)

(Continued)

(72) Inventors: **Jamison Barron Conti**, Goleta, CA  
(US); **Sam Nelson Smith**, Goleta, CA  
(US)

**FOREIGN PATENT DOCUMENTS**

CN 303981222 \* 12/2016  
CN 304090952 \* 3/2017

(Continued)

(\*\*) **Term:** **15 Years**

**OTHER PUBLICATIONS**

(21) Appl. No.: **29/728,839**

Dexter Accessories Mens Max Powerstep T3 Medium, available at shopline.com, earliest customer review date Nov. 24, 2016 [online], site visited Feb. 4, 2022, available from the internet URL: <https://www.shoeline.com/product.aspx?ProductID=16015&> (Year: 2016).\*

(22) Filed: **Mar. 21, 2020**

(Continued)

(51) **LOC (13) Cl.** ..... **07-99**

(52) **U.S. Cl.**

USPC ..... **D2/642; D2/639**

(58) **Field of Classification Search**

USPC ..... D2/624–643, 999; D3/18–29  
CPC .. A43C 7/00; A43C 7/005; A43C 7/02; A43C 7/04; A43C 7/06; A43C 7/08; A43C 11/002; A43C 11/004; A43C 11/006; A43C 11/008; A43C 11/20

See application file for complete search history.

*Primary Examiner* — Messina L Smith

*Assistant Examiner* — Jillian Mazzola

(74) *Attorney, Agent, or Firm* — Barry Choobin; Patent 360

(56) **References Cited**

(57) **CLAIM**

The ornamental design for a footwear accessory for lifting shoe tongue, as shown and described.

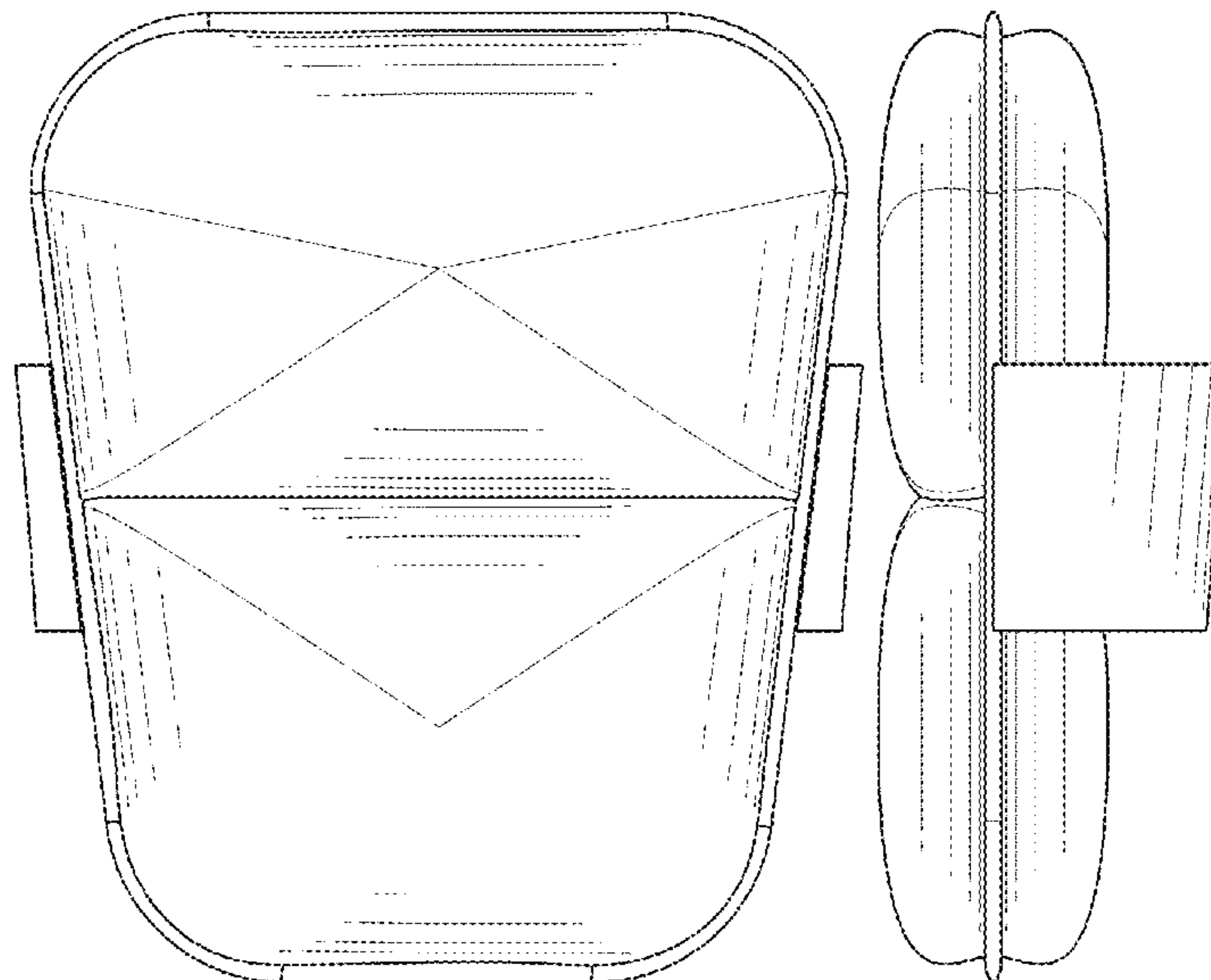
**U.S. PATENT DOCUMENTS**

**DESCRIPTION**

D25,637 S \* 6/1896 Hasselbring ..... 138/109  
D124,100 S \* 12/1940 Ingwer ..... D3/18  
D208,047 S \* 7/1967 Brophy ..... D3/29  
3,937,218 A \* 2/1976 Gaylord, Jr. .... A41D 13/0568  
2/24  
D280,255 S \* 8/1985 Blaivas ..... D2/612  
D304,779 S \* 11/1989 Raphael ..... D2/639  
D335,019 S \* 4/1993 Allen ..... D2/975  
D360,745 S \* 8/1995 Nicholson ..... D2/639  
D362,536 S \* 9/1995 Manade, Jr. .... D2/639  
D365,912 S \* 1/1996 Fulcher ..... D2/639  
5,673,235 A \* 9/1997 Miller ..... G01V 1/201  
174/101.5

FIG. 1 is a perspective view of a footwear accessory for lifting shoe tongue, showing our new design;  
FIG. 2 is a front view thereof;  
FIG. 3 is a rear view thereof;  
FIG. 4 is a top view thereof;  
FIG. 5 is a bottom view thereof;  
FIG. 6 is a left-side view thereof; and,  
FIG. 7 is a right-side view thereof.

**1 Claim, 7 Drawing Sheets**



(56)

References Cited

U.S. PATENT DOCUMENTS

D433,227 S \* 11/2000 Evans ..... D3/218  
 D437,986 S \* 2/2001 Conaway ..... D2/639  
 D507,861 S \* 8/2005 Kim ..... D2/905  
 D521,645 S \* 5/2006 Lyons ..... D24/192  
 D557,878 S \* 12/2007 Haefner ..... D2/624  
 D569,577 S \* 5/2008 Barker ..... D2/614  
 D598,558 S \* 8/2009 Powaser ..... D24/192  
 D661,429 S \* 6/2012 Huthmaker ..... D24/192  
 D684,323 S \* 6/2013 Macrina ..... D29/121.2  
 D710,570 S \* 8/2014 Zieth ..... D2/636  
 D740,527 S \* 10/2015 Plummer ..... D2/946  
 D747,086 S \* 1/2016 Manning ..... D2/961  
 D771,322 S \* 11/2016 Hiatt ..... D29/113  
 D779,741 S \* 2/2017 McLachlan ..... D29/121.2  
 10,178,815 B1 \* 1/2019 Vieyra ..... H05K 9/0043  
 D851,265 S \* 6/2019 Hanft ..... D24/192  
 D931,475 S \* 9/2021 Kersen ..... D24/192  
 2009/0205097 A1 \* 8/2009 Manning, II ..... A41B 11/02  
 2/22  
 2014/0174425 A1 \* 6/2014 Burks ..... A61F 7/03  
 126/204  
 2015/0305433 A1 \* 10/2015 Meraw ..... A43B 3/36  
 36/137  
 2015/0342260 A1 \* 12/2015 Burress ..... A41B 11/002  
 24/453  
 2021/0106671 A1 \* 4/2021 Silvers ..... A61K 31/60

FOREIGN PATENT DOCUMENTS

CN 304238732 \* 8/2017  
 CN 306956870 \* 11/2021  
 GB 3014843 \* 6/2004  
 JP D1439161 \* 4/2012

OTHER PUBLICATIONS

Arch Binder with Metatarsal Pad, available at myfootshop.com, earliest customer review date Jul. 22, 2010 [online], site visited Feb. 4, 2022, available from the internet URL: <https://www.myfootshop.com/arch-binder-with-metatarsal-pad?> (Year: 2010).\*

New Ergo-Case XS Handheld Enclosures, available at okwenclosures.com, published Aug. 2013 [online], site visited Feb. 4, 2022, available from the internet URL: <https://www.okwenclosures.com/en/news/press-releases/1308-ergo-case-xs-enclosures.htm> (Year: 2013).\*

Voyager Magnetic Wrist Band, available at harborfreight.com, earliest customer review date Jul. 18, 2010 [online], site visited Feb. 4, 2022, available from the internet URL: <https://www.harborfreight.com/magnetic-wrist-band-96533.html> (Year: 2010).\*

\* cited by examiner

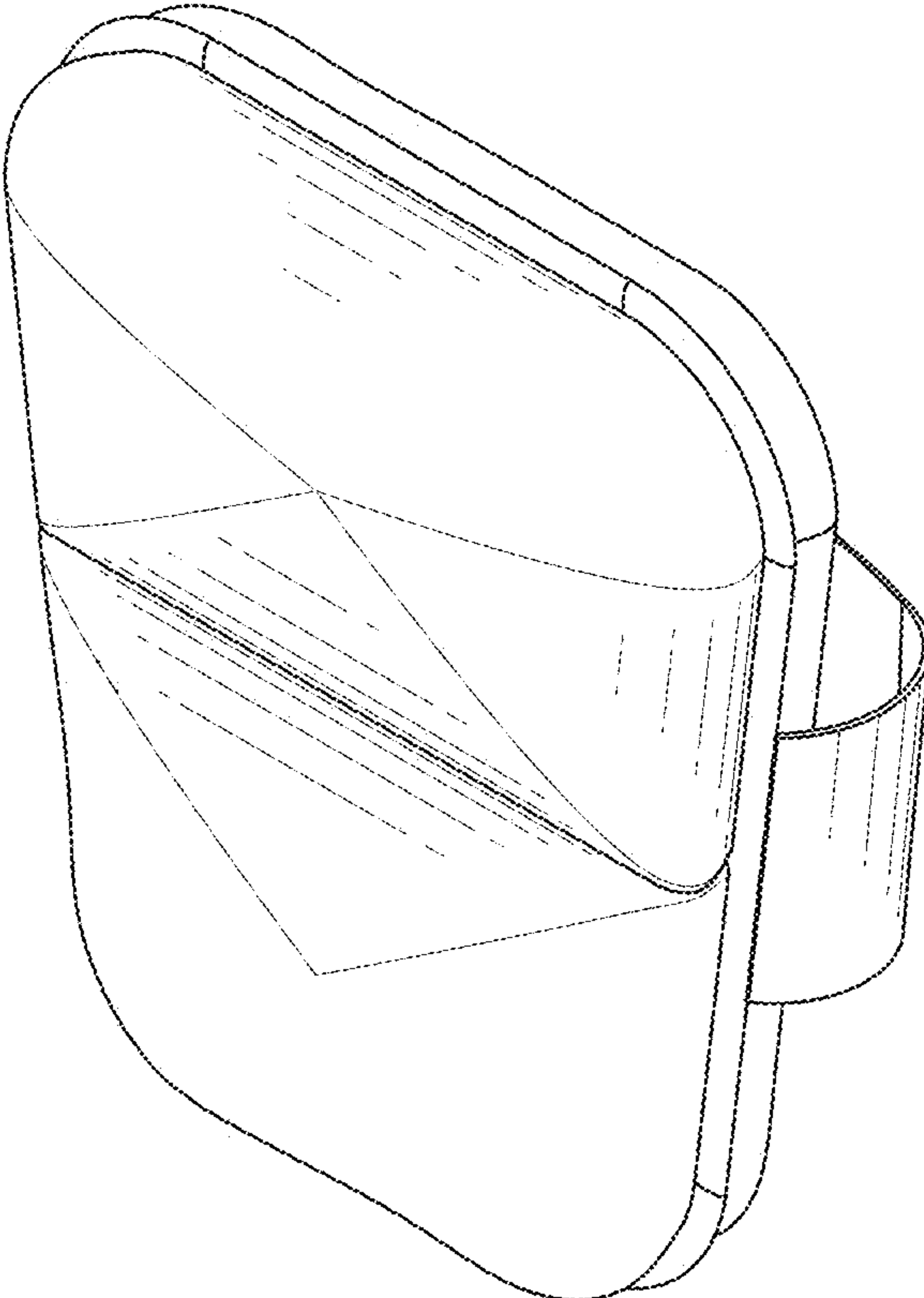


FIG. 1

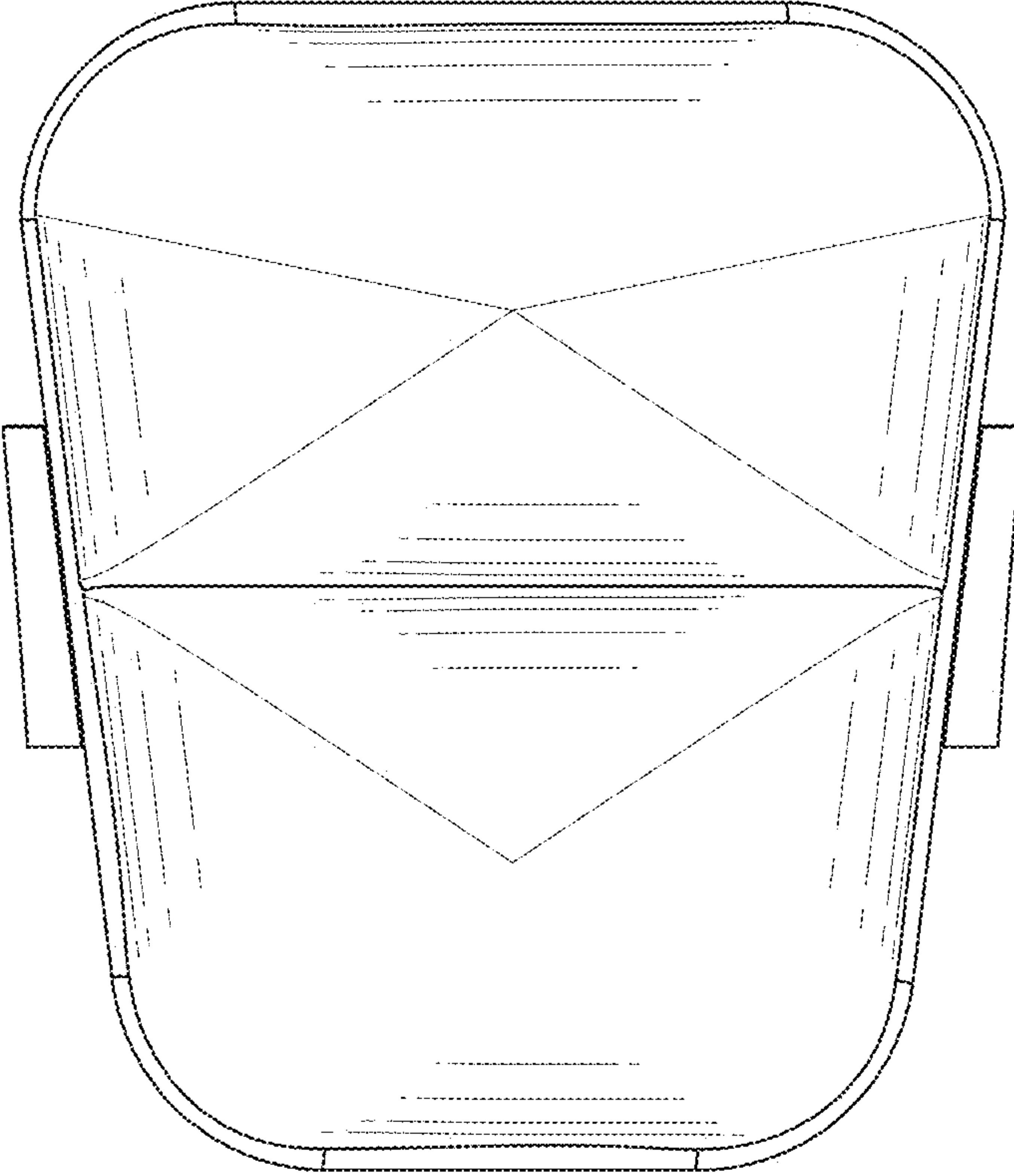


FIG. 2

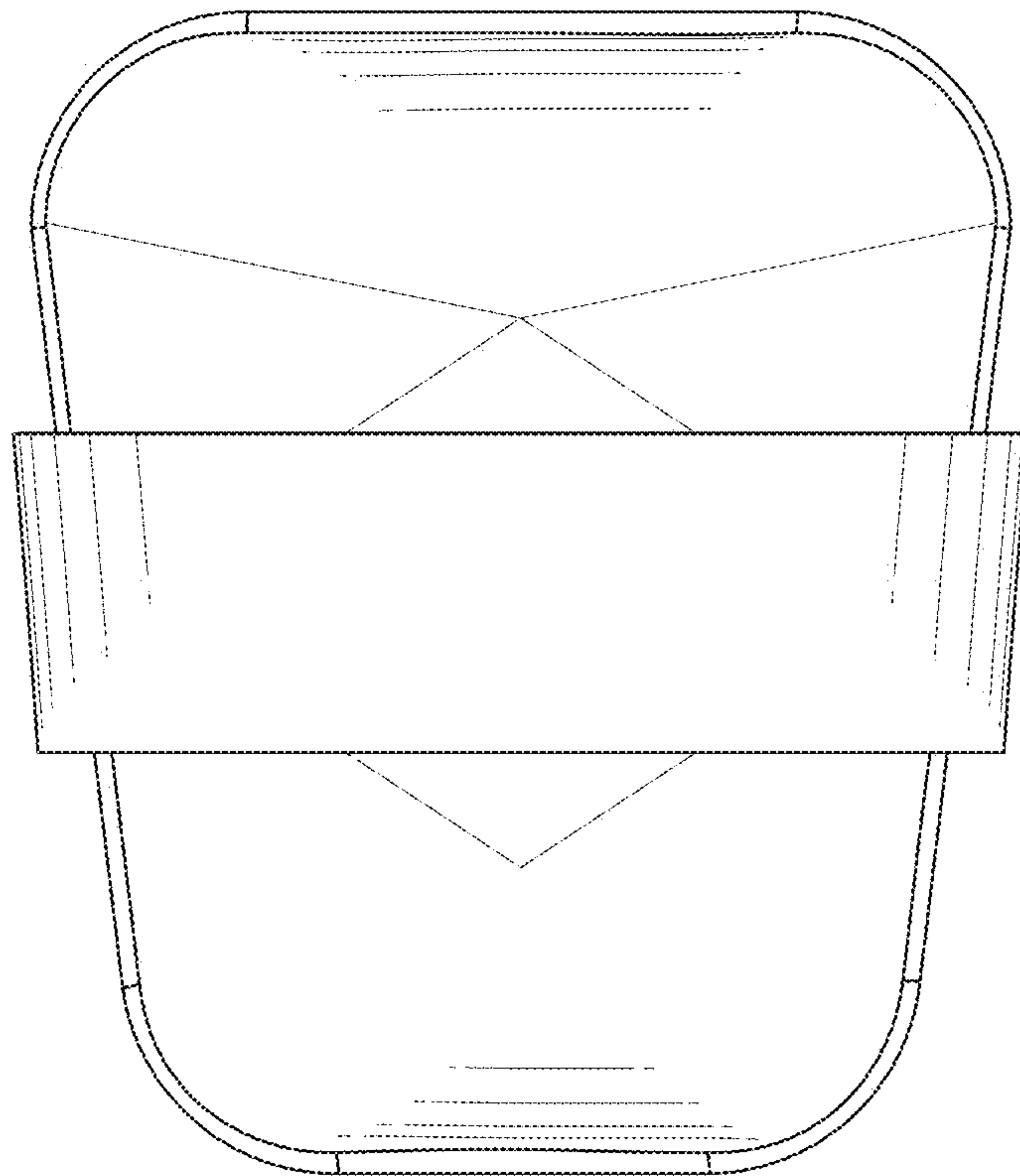


FIG. 3

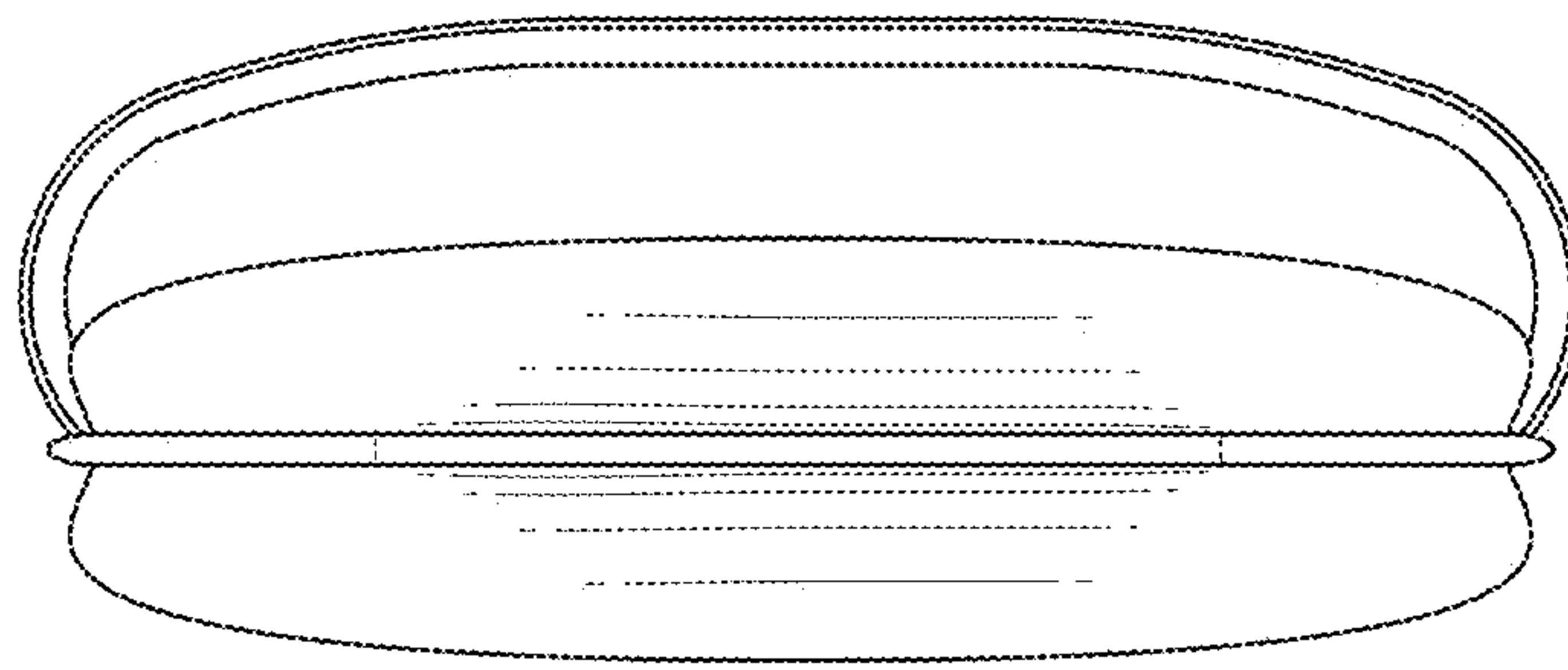


FIG. 4



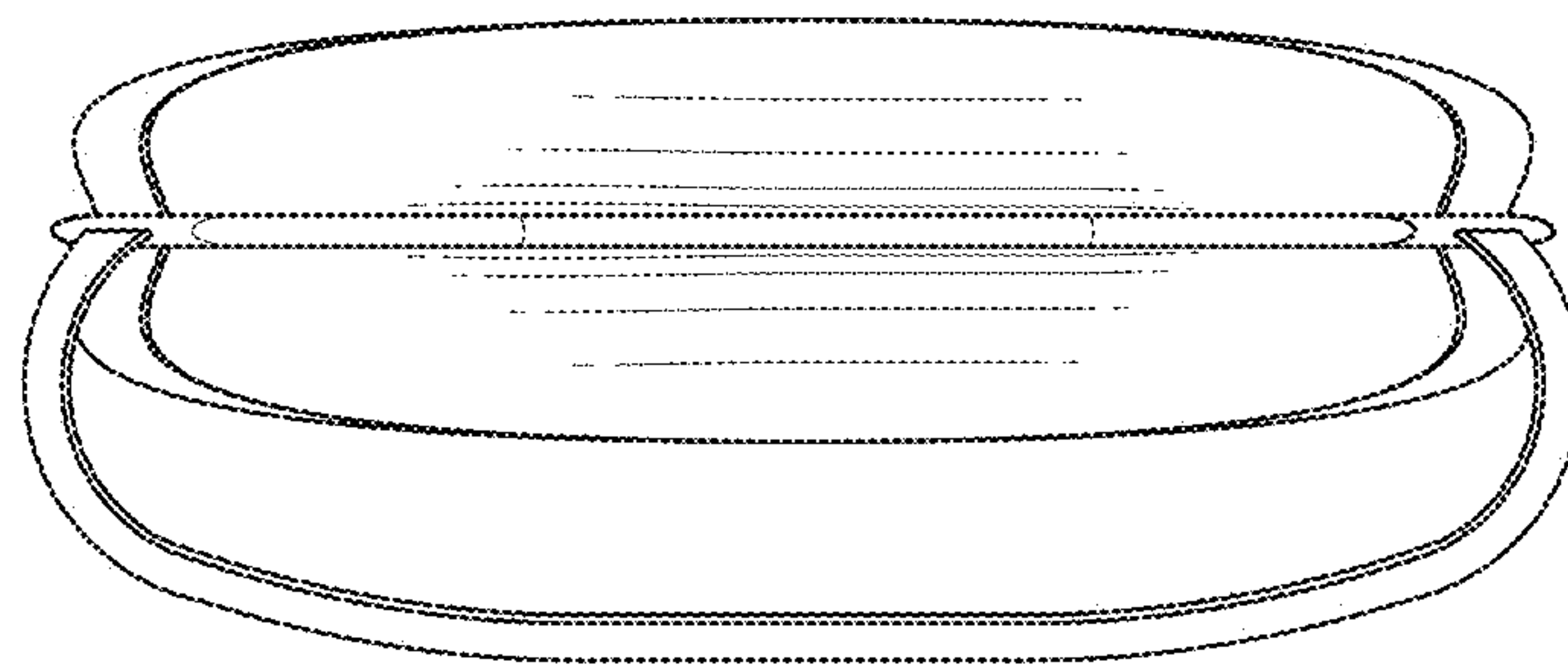


FIG. 5

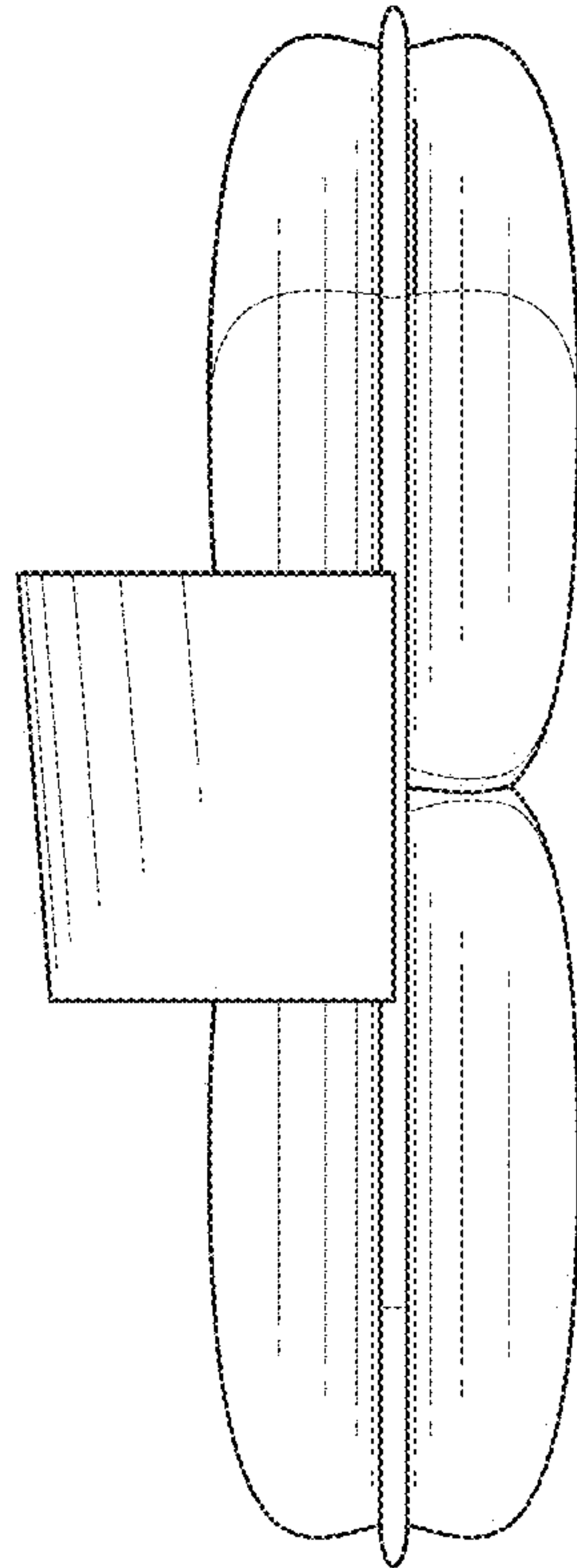


FIG. 6



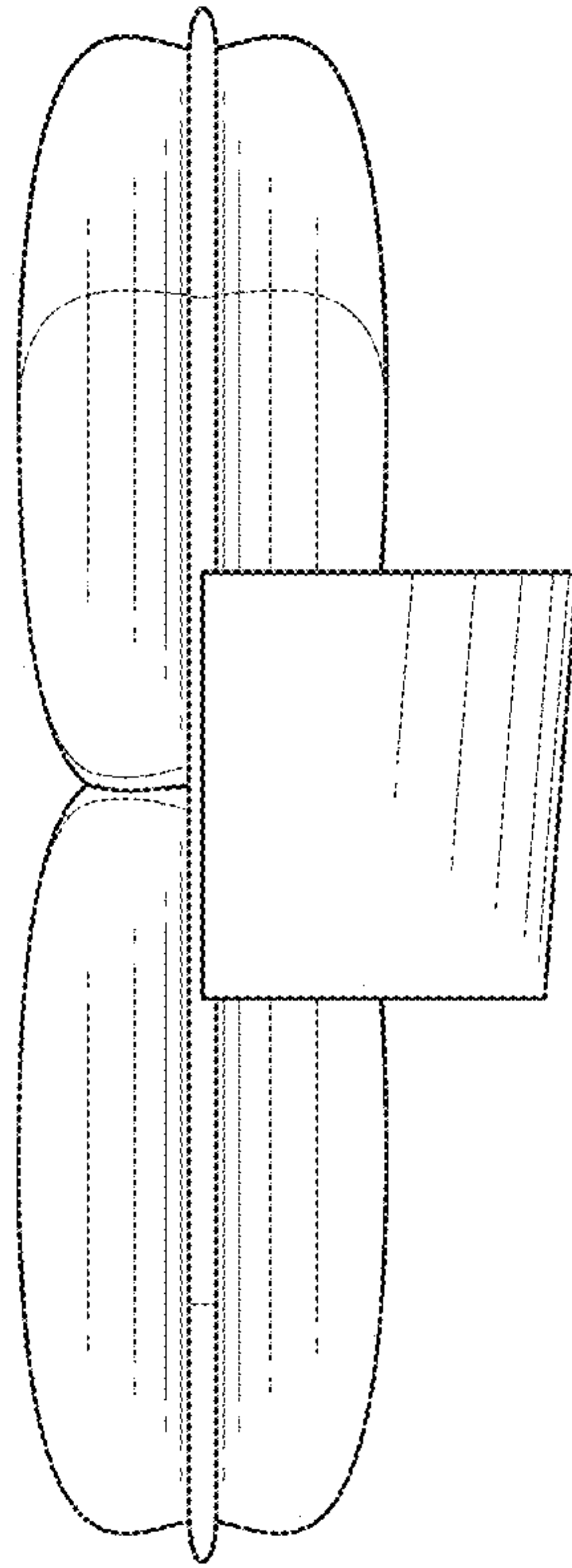


FIG. 7