



US00D970147S

(12) **United States Design Patent** (10) **Patent No.:** **US D970,147 S**
Tougo (45) **Date of Patent:** **** Nov. 15, 2022**

(54) **CURRENCY HANDLING APPARATUS**

(71) Applicant: **Glory Ltd., Himeji (JP)**

(72) Inventor: **Hirofumi Tougo, Himeji (JP)**

(73) Assignee: **GLORY LTD., Himeji (JP)**

(**) Term: **15 Years**

(21) Appl. No.: **29/764,180**

(22) Filed: **Dec. 29, 2020**

(51) **LOC (13) Cl.** **99-00**

(52) **U.S. Cl.**

USPC **D99/28; D18/3.3**

(58) **Field of Classification Search**

USPC D99/28, 34, 35, 36, 43, 99;
D14/300-302, 305, 307, 900-902;
D18/3.1-3.3, 4.1-4.6, 12.1-12.3;
D21/324, 325, 329, 369, 370; 101/66;
109/1 R, 1 V, 2, 23, 24.1, 25, 58, 58.5,
109/66; 446/8-13; 705/16, 17, 18, 42,
705/43, 44, 45; 235/51, 379, 380, 381,
235/382.5, 386; 206/0.8, 0.81, 0.815,
206/0.82, 0.84

CPC .. G06Q 20/10; G06Q 20/108; G06Q 20/1085;
G06Q 20/18; G07D 1/00; G07D 1/02;
G07D 1/04; G07D 1/06; G07D 11/00;
G07D 9/002; G07D 9/04; G07F 19/20;
G07F 19/201; G07F 19/202; G07F
19/203; G07F 19/204; G07F 19/105;
G07F 19/21; G07F 19/00; G07F 7/04;
G07F 5/00; G07F 1/00; E05G 7/001;
E05G 1/006; A63H 33/00; A63H 33/005

See application file for complete search history.

(56) **References Cited**

U.S. PATENT DOCUMENTS

D429,401 S * 8/2000 Sato D99/28
D449,726 S * 10/2001 Lin D99/28

D456,587 S * 4/2002 Kit D99/28
D483,760 S * 12/2003 Berr D14/383
D483,761 S * 12/2003 Berr D14/383
7,191,948 B1 * 3/2007 Baitz G06F 1/1601
235/475
D618,875 S * 6/2010 Tougo D99/28
D679,885 S * 4/2013 Pollmann D99/28
D708,814 S * 7/2014 Lee D99/28
D732,263 S * 6/2015 Budde D99/28
D756,064 S * 5/2016 Budde D99/28
D769,569 S * 10/2016 Kennedy D99/28
D779,770 S * 2/2017 Park D99/28
D839,529 S * 1/2019 Nelson D99/28
10,204,469 B2 * 2/2019 Yokawa G07D 11/14
D896,310 S * 9/2020 Dickson D20/1
D924,534 S * 7/2021 Lee D99/28
D948,605 S * 4/2022 Shimano D18/3.3
D951,584 S * 5/2022 Lee D99/28
D952,027 S * 5/2022 Shimano D18/3.3
D955,085 S * 6/2022 Lee D99/28
2010/0168902 A1 * 7/2010 Mizushima G07D 11/23
194/215
2010/0200448 A1 * 8/2010 Doi G07F 9/06
206/459.1

(Continued)

Primary Examiner — Elizabeth J Oswecki

(74) *Attorney, Agent, or Firm* — Xsensus LLP

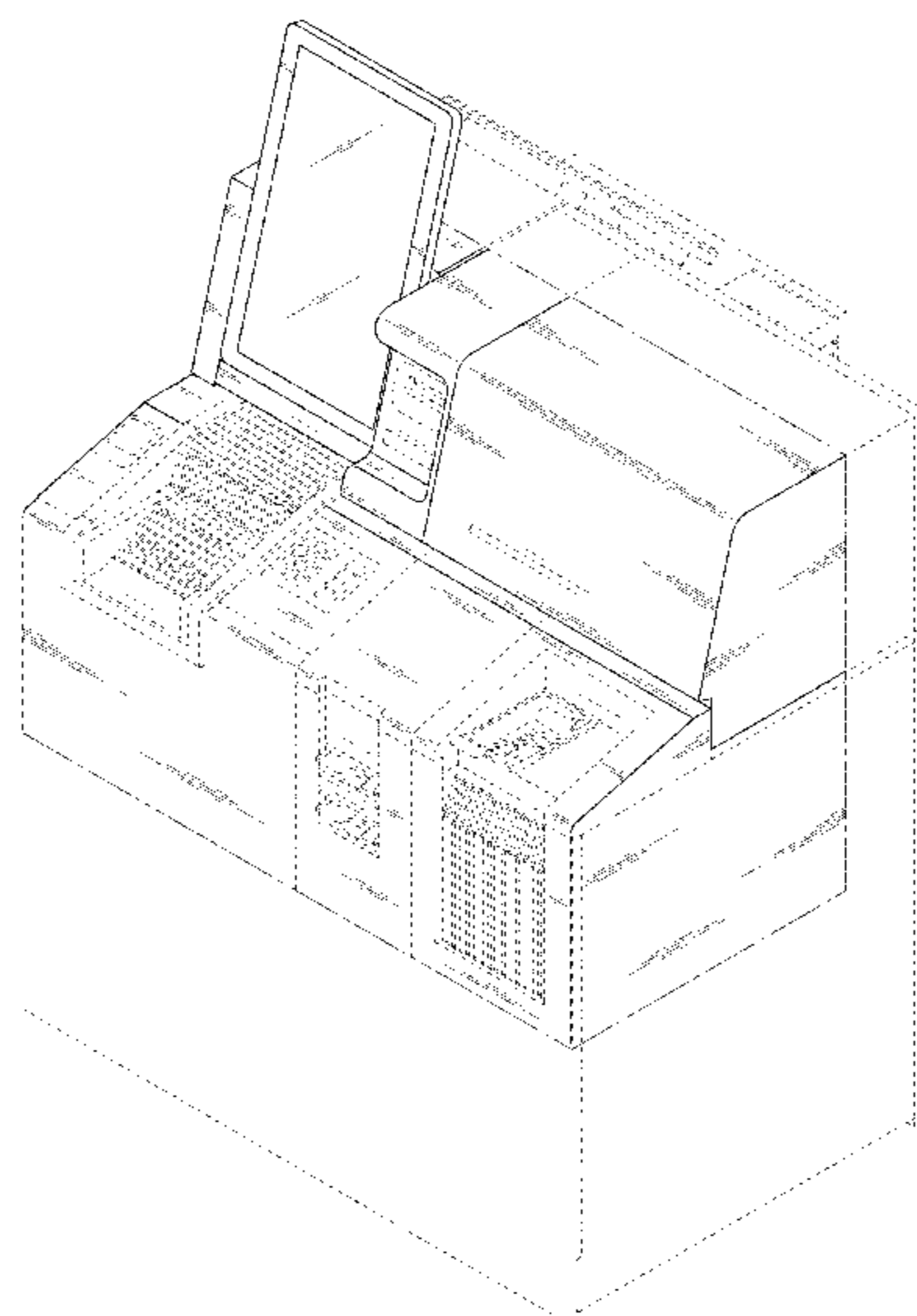
(57) **CLAIM**

The ornamental design for a currency handling apparatus, as shown and described.

DESCRIPTION

FIG. 1 is a front view of a currency handling apparatus showing my new design;
FIG. 2 is a rear view thereof;
FIG. 3 is a left side view thereof;
FIG. 4 is a right side view thereof;
FIG. 5 is a top plan view thereof; and,
FIG. 6 is a front, top, right side perspective view thereof.

1 Claim, 6 Drawing Sheets



(56)

References Cited

U.S. PATENT DOCUMENTS

2012/0012436 A1* 1/2012 Nakamoto G07D 11/50
194/215

* cited by examiner

Fig.1

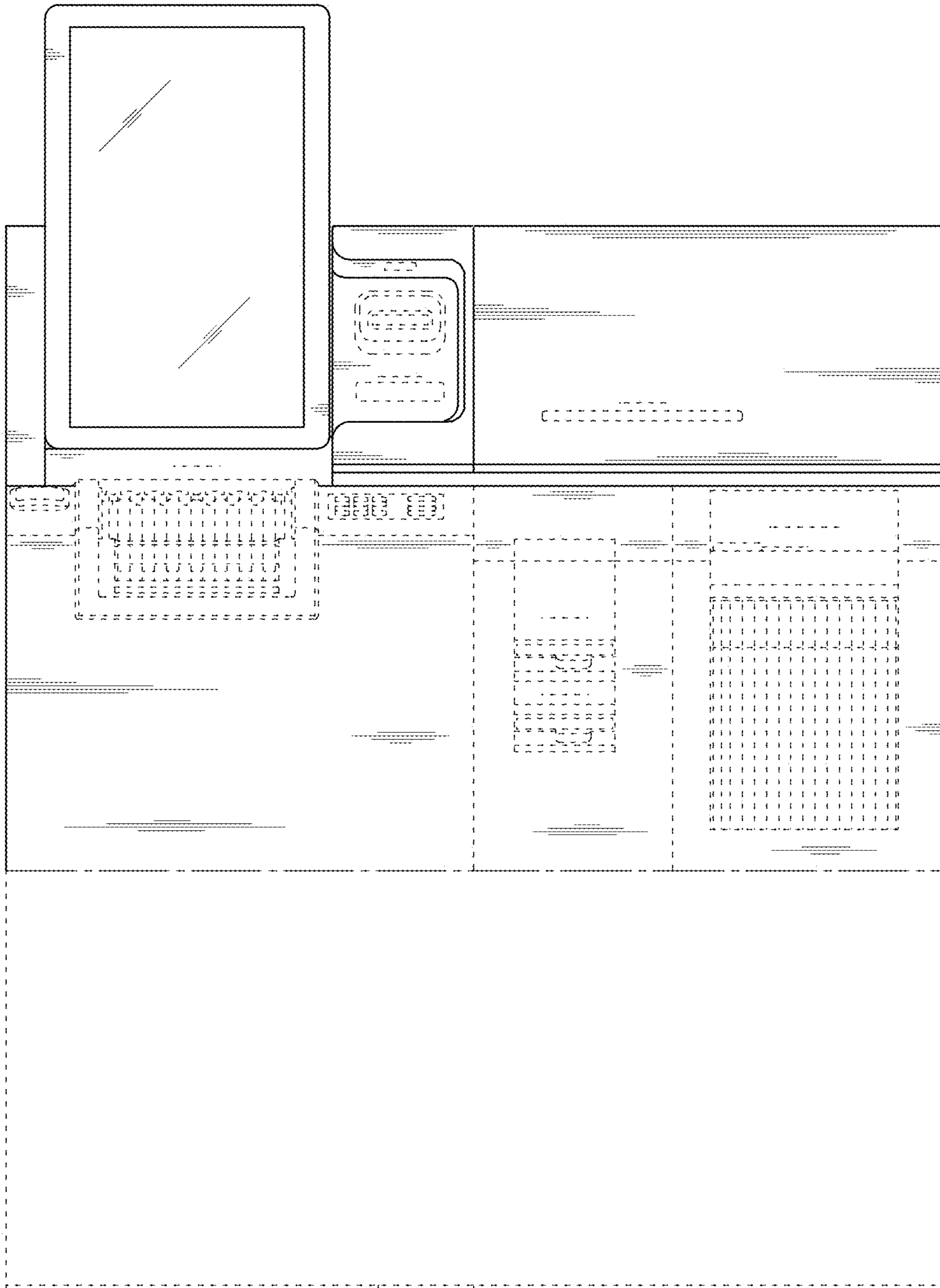


Fig.2

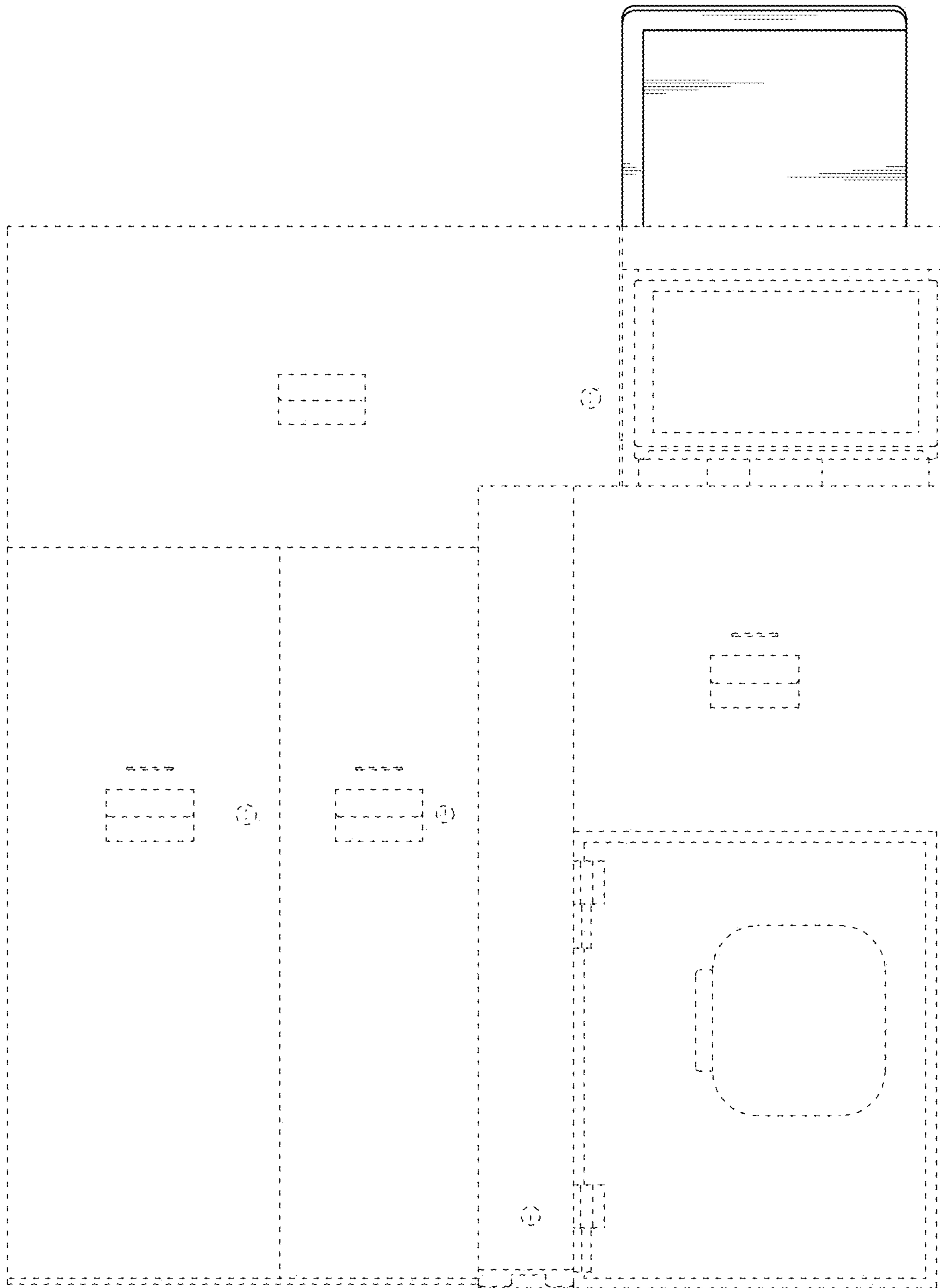


Fig.3

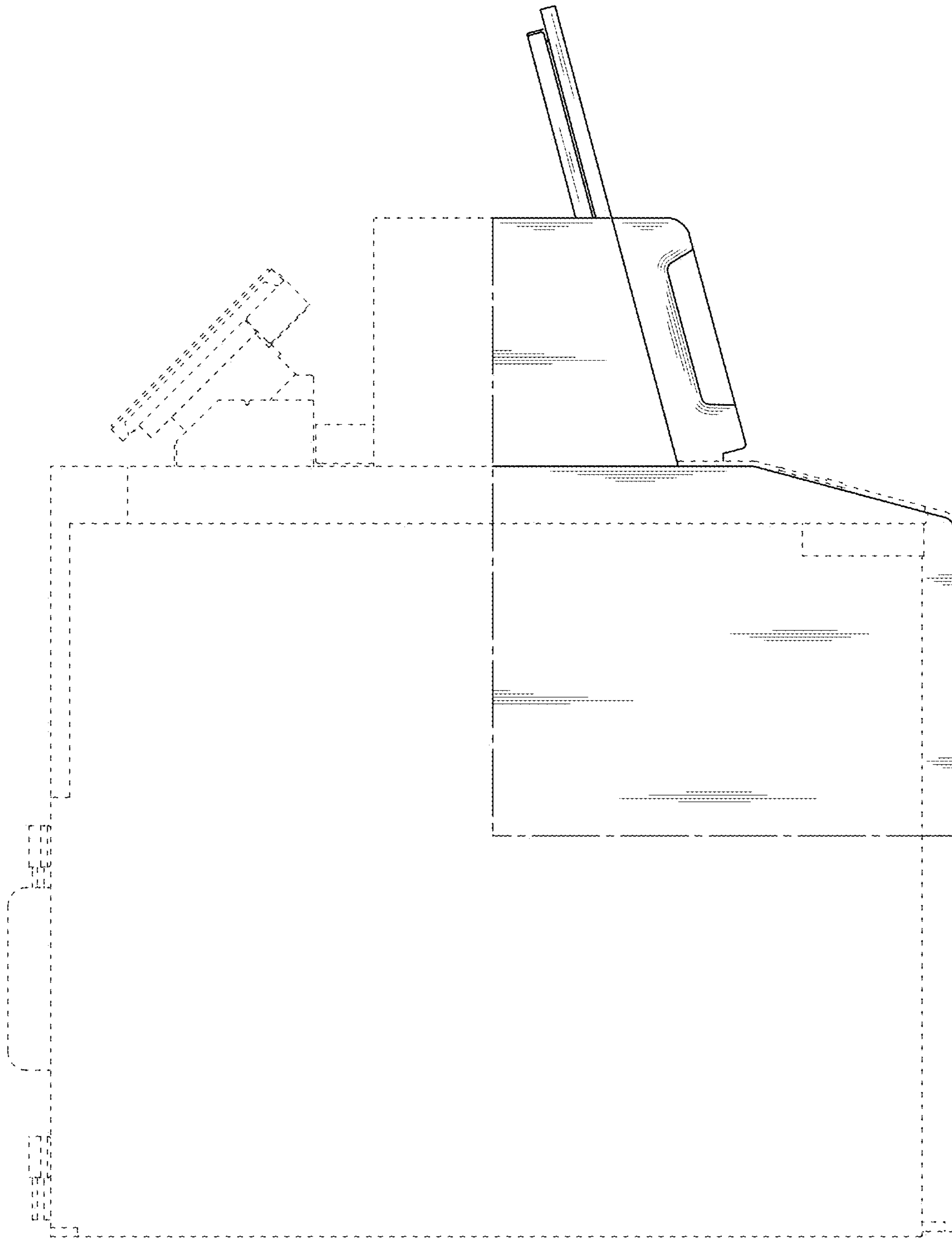


Fig.4

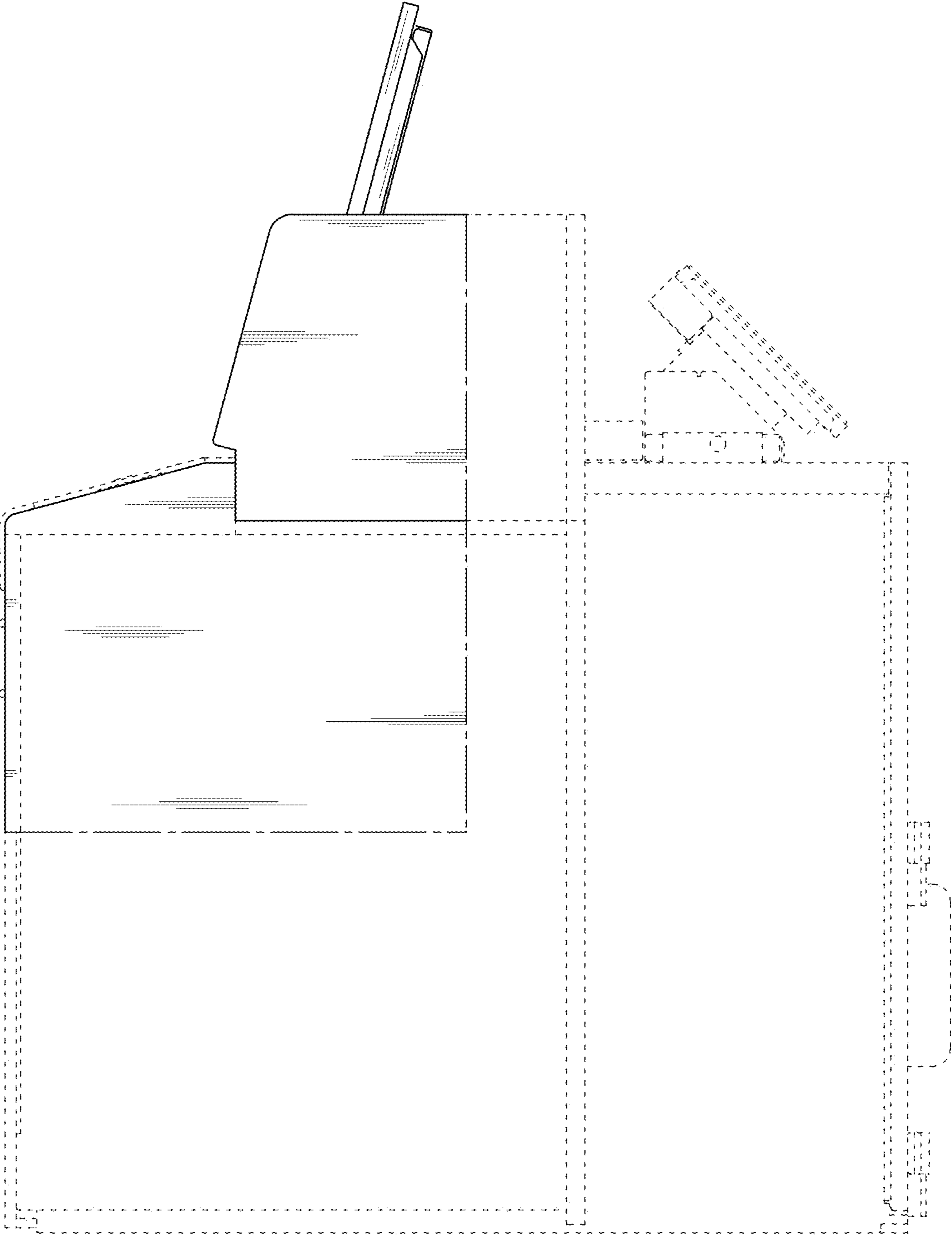


Fig.5

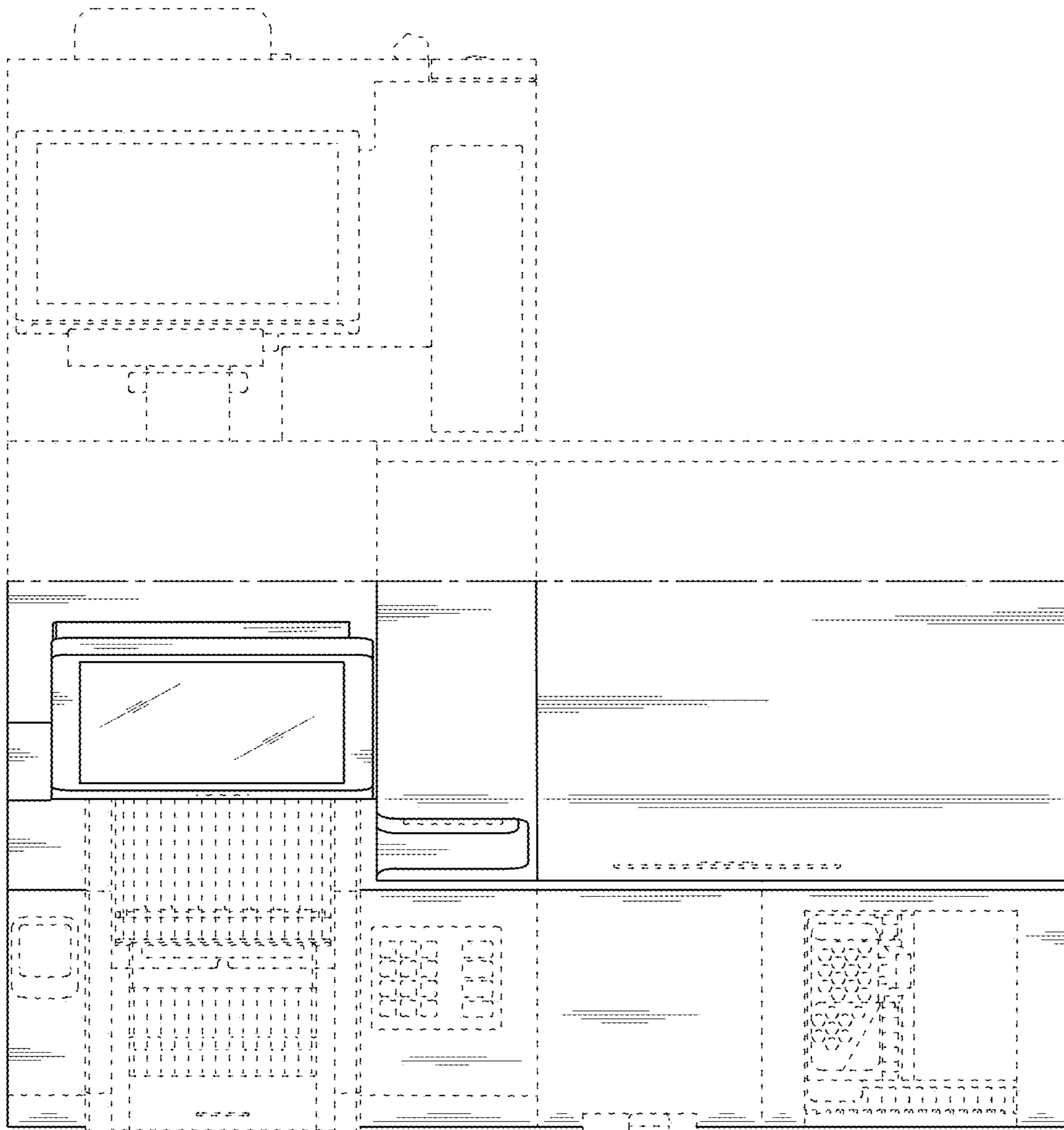


Fig.6

