



US00D970146S

(12) **United States Design Patent**  
**Cui**

(10) **Patent No.:** **US D970,146 S**

(45) **Date of Patent:** **\*\* Nov. 15, 2022**

(54) **ELECTRIC WINCH**

FOREIGN PATENT DOCUMENTS

(71) Applicant: **Ningbo Lianda Winch Co., Ltd.**,  
Ningbo (CN)

CN 307336833 \* 5/2022

\* cited by examiner

(72) Inventor: **Xiaojun Cui**, Ningbo (CN)

*Primary Examiner* — Cynthia Ramirez

*Assistant Examiner* — Tamara L Hahn

(\*\*) Term: **15 Years**

(57) **CLAIM**

(21) Appl. No.: **29/752,300**

The ornamental design for an electric winch, as shown and described.

(22) Filed: **Sep. 25, 2020**

**DESCRIPTION**

(51) **LOC (13) Cl.** ..... **12-05**

(52) **U.S. Cl.**  
USPC ..... **D34/33**

(58) **Field of Classification Search**

USPC ..... D34/28, 29, 30, 31, 33, 34, 35  
CPC ..... B66F 5/04; B66F 5/00; B66F 5/02; B66F  
3/42; B66F 3/44; B66F 1/06; B66F  
19/00; B66F 2700/05; B66D 1/12; B66D  
1/00; B66D 1/36; B66D 1/30; B66D  
1/18; B66D 2700/01

See application file for complete search history.

FIG. 1 is a perspective view of a first embodiment of an electric winch;

FIG. 2 is another perspective view thereof;

FIG. 3 is a front elevational view thereof;

FIG. 4 is a rear elevational view thereof;

FIG. 5 is a left elevational view thereof;

FIG. 6 is a right elevational view thereof;

FIG. 7 is a top plan view thereof;

FIG. 8 is a bottom plan view thereof;

FIG. 9 is a perspective view of a second embodiment of an electric winch;

FIG. 10 is another perspective view thereof;

FIG. 11 is a front elevational view thereof;

FIG. 12 is a rear elevational view thereof;

FIG. 13 is a left elevational view thereof;

FIG. 14 is a right elevational view thereof;

FIG. 15 is a top plan view thereof; and,

FIG. 16 is a bottom plan view thereof.

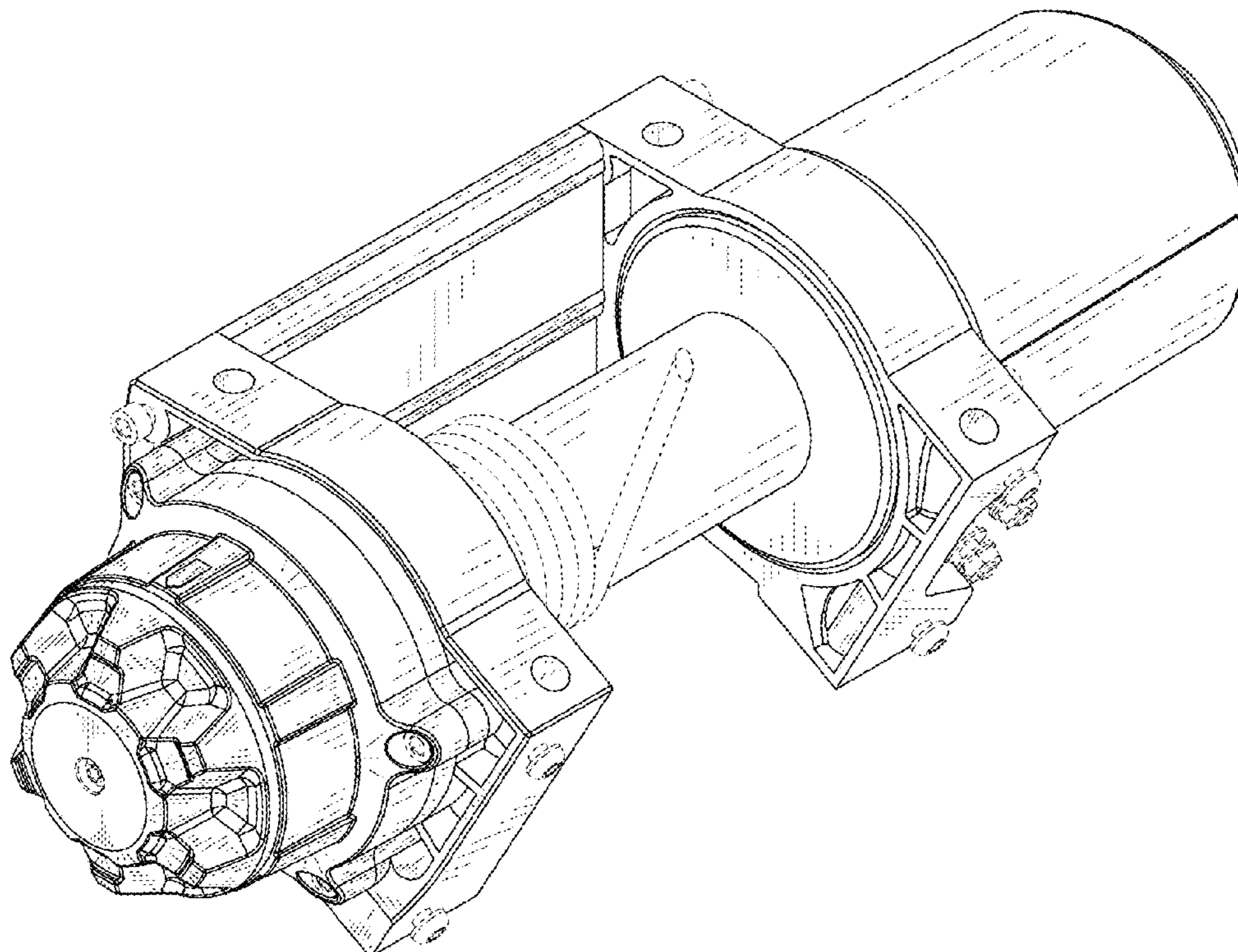
The broken lines where present illustrate portions of the electric winch that form no part of the claimed design.

(56) **References Cited**

U.S. PATENT DOCUMENTS

D799,143 S	*	10/2017	Cui	.....	D34/33
D799,144 S	*	10/2017	Cui	.....	D34/33
D898,321 S	*	10/2020	Fretz	.....	D34/33
D903,221 S	*	11/2020	Feng	.....	D34/33
D932,727 S	*	10/2021	Ye	.....	D34/33
D947,482 S	*	3/2022	Zheng	.....	D34/33
2016/0311667 A1	*	10/2016	Huang	.....	B66D 1/58
2019/0382247 A1	*	12/2019	Cui	.....	B66D 1/12

**1 Claim, 16 Drawing Sheets**



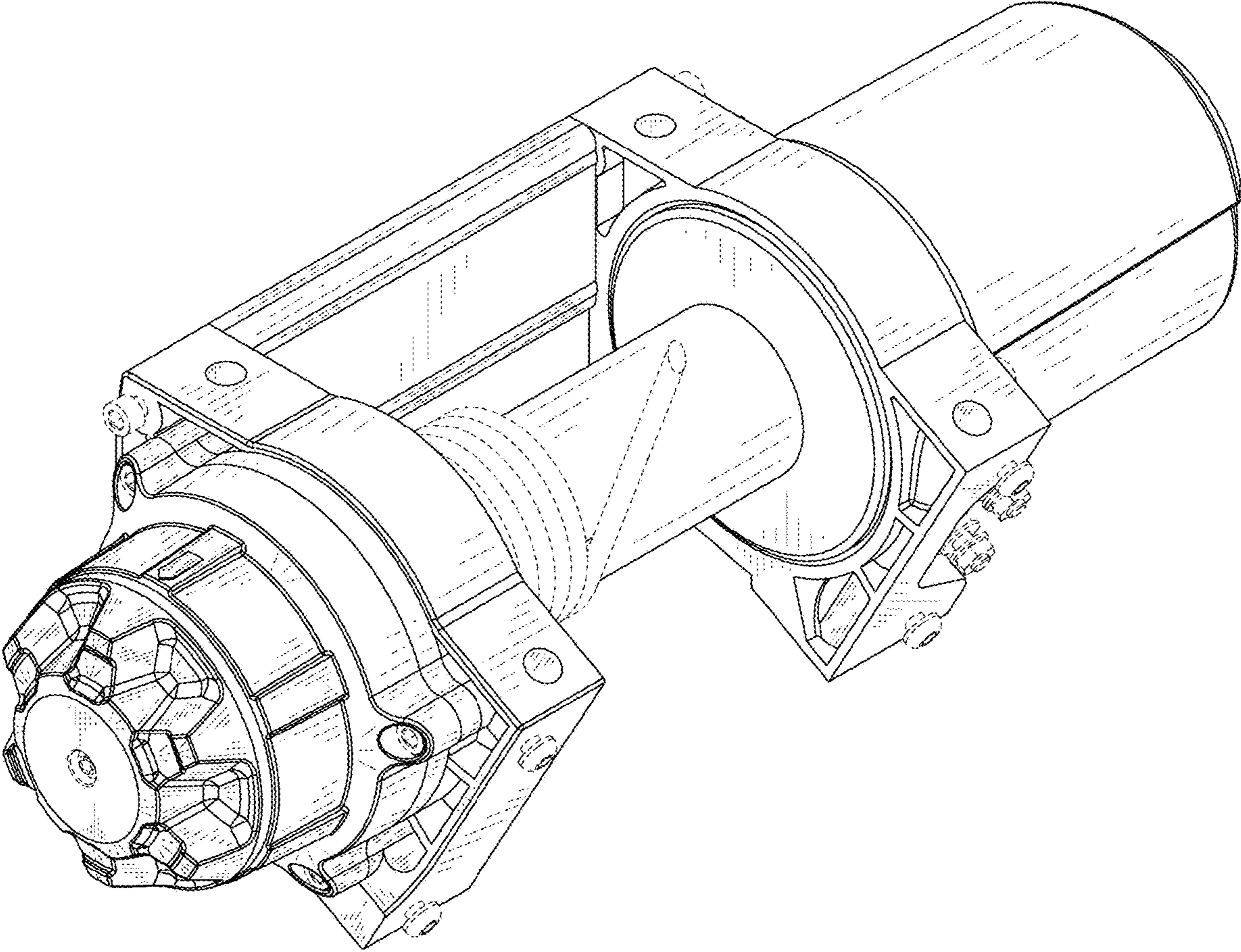


FIG. 1

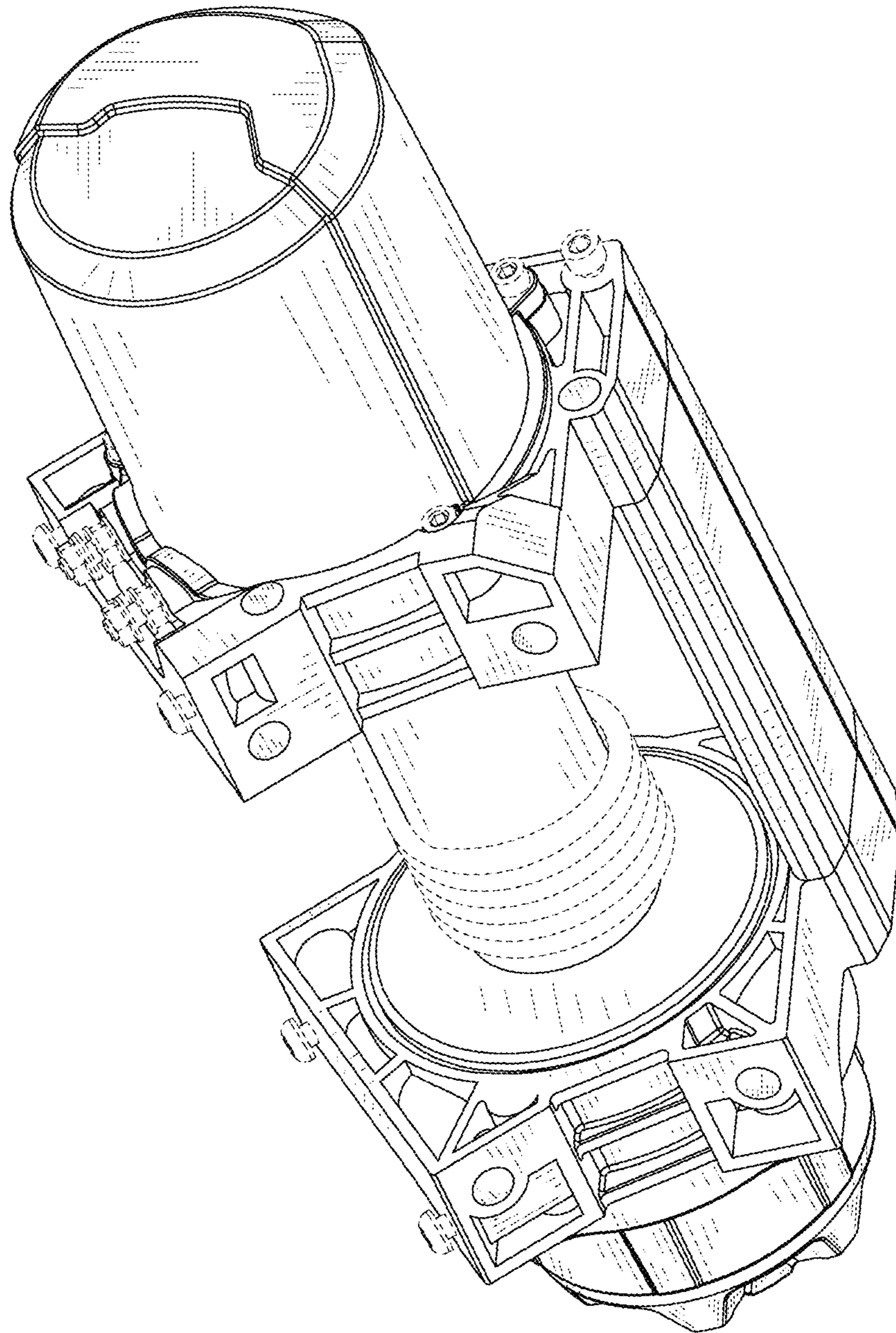


FIG.2

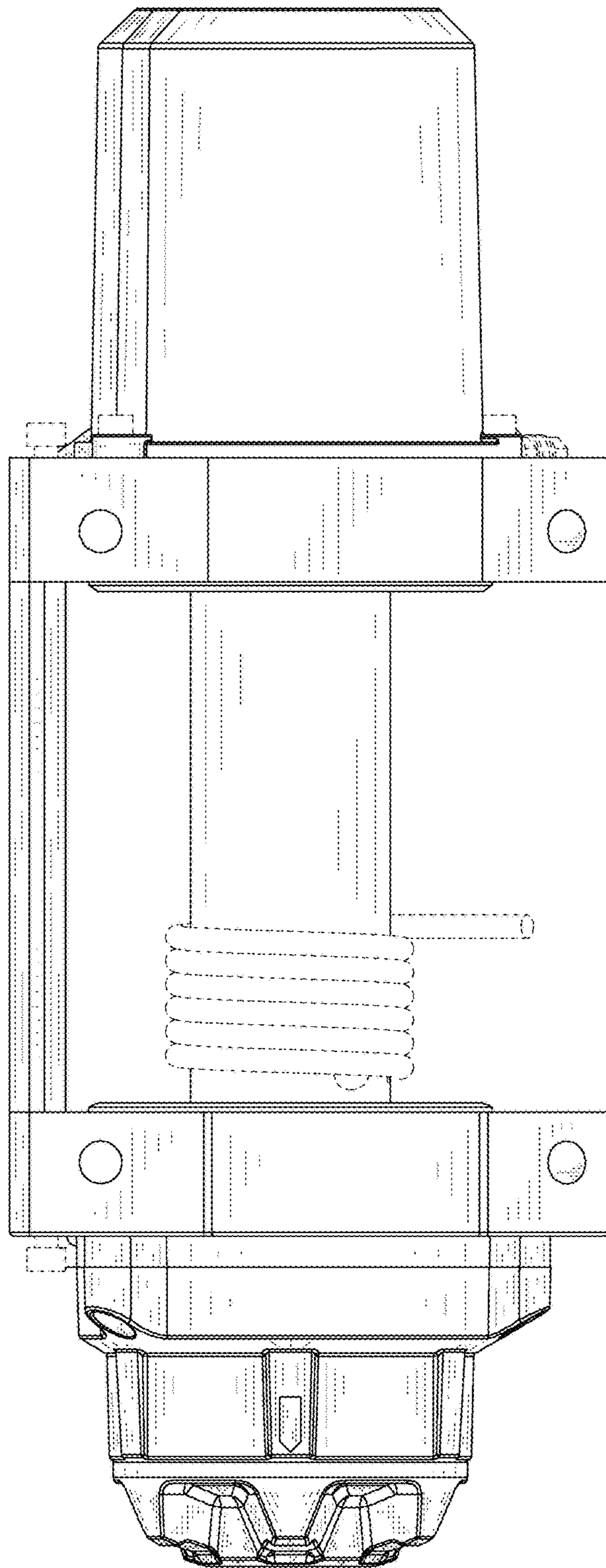


FIG.3

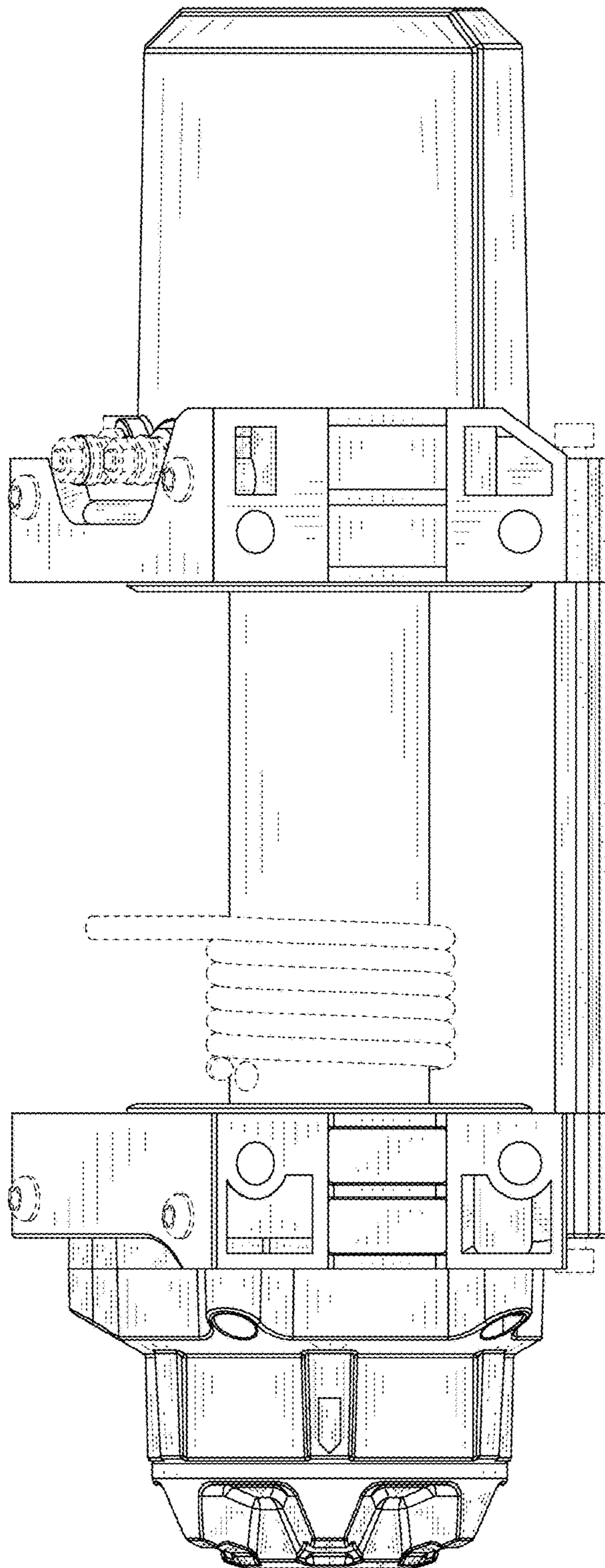


FIG.4

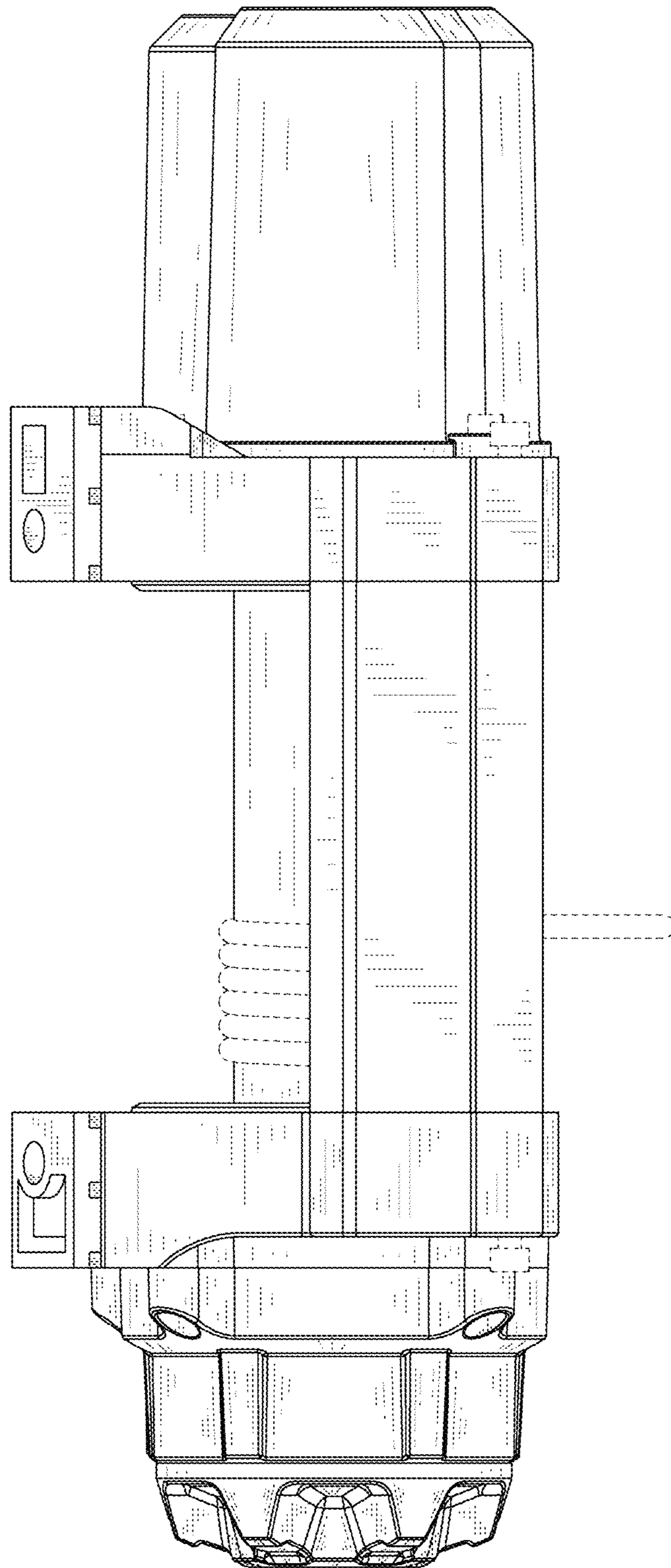


FIG.5

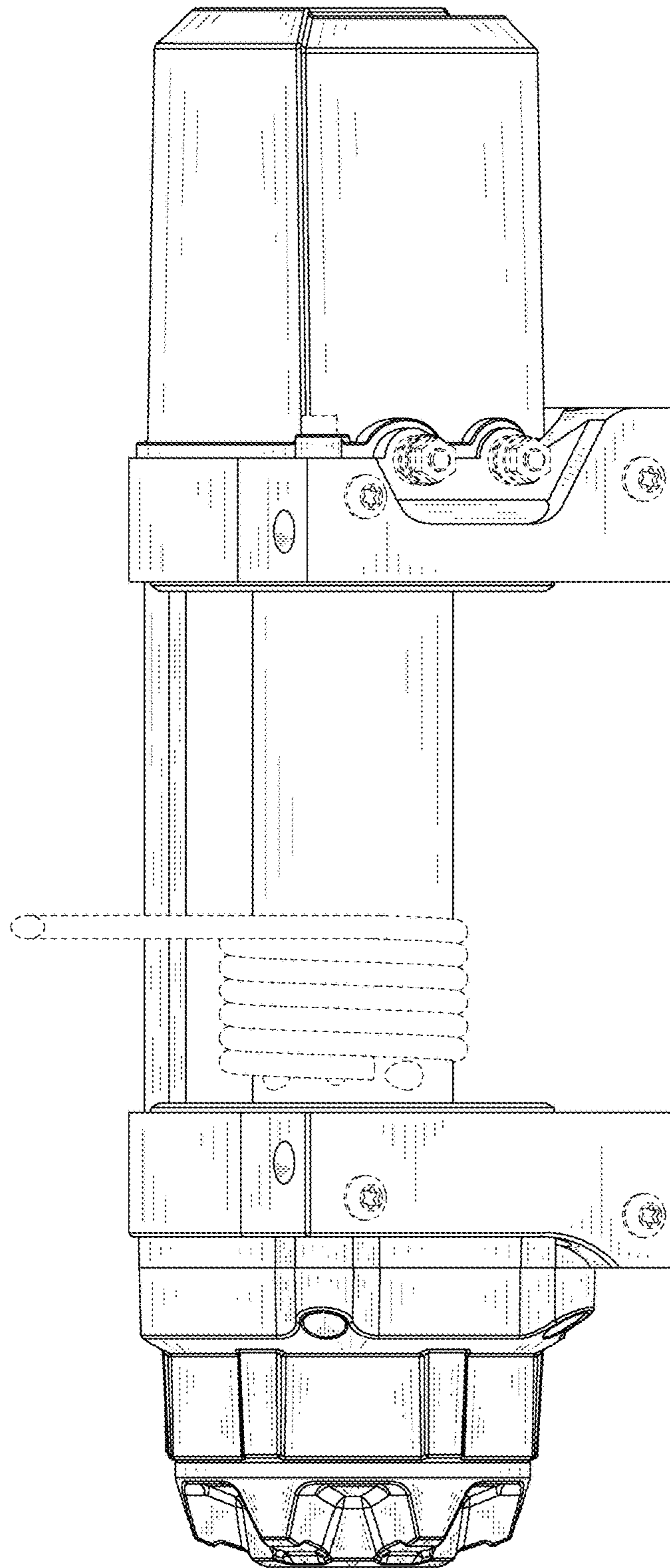


FIG.6

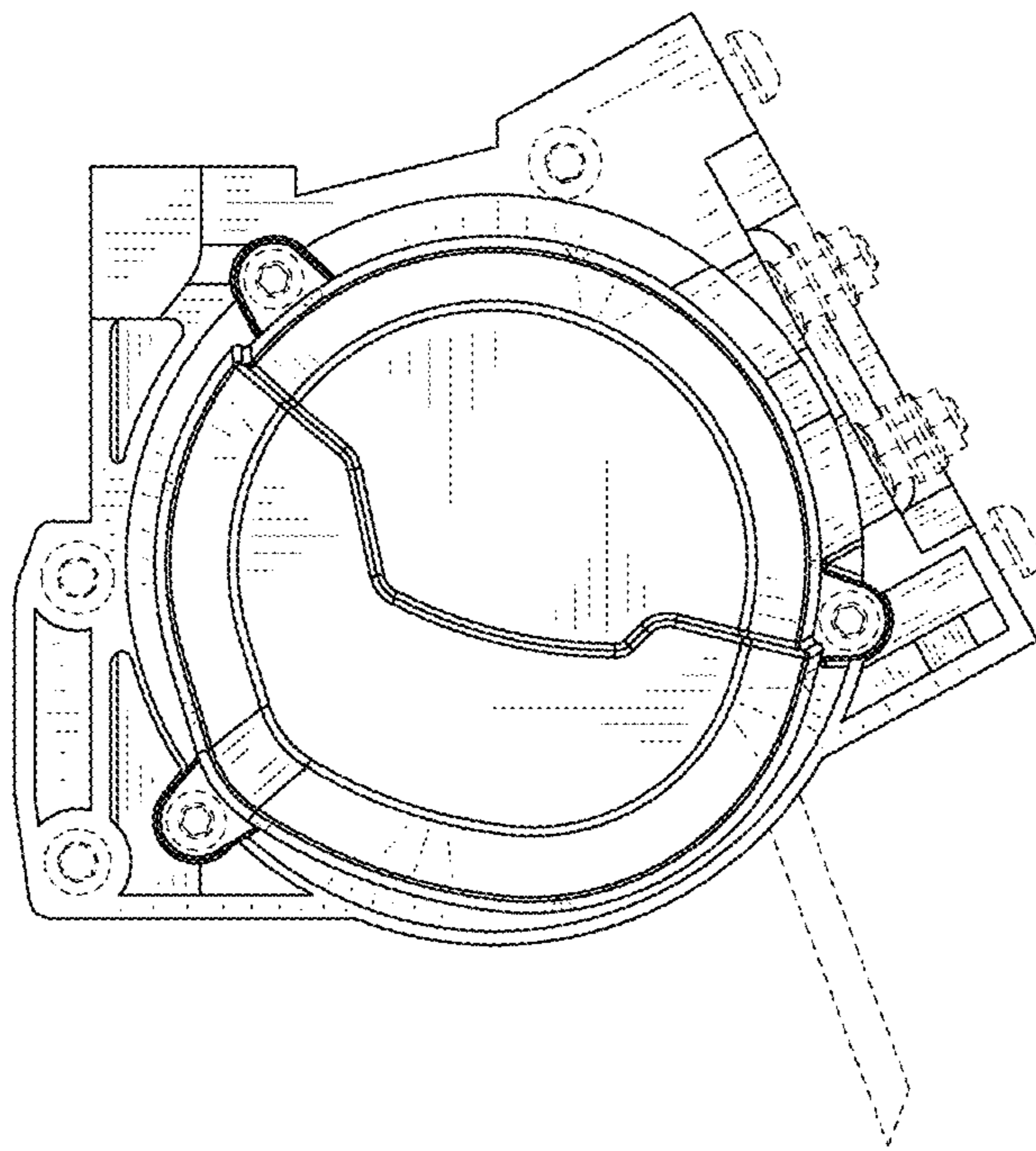


FIG.7



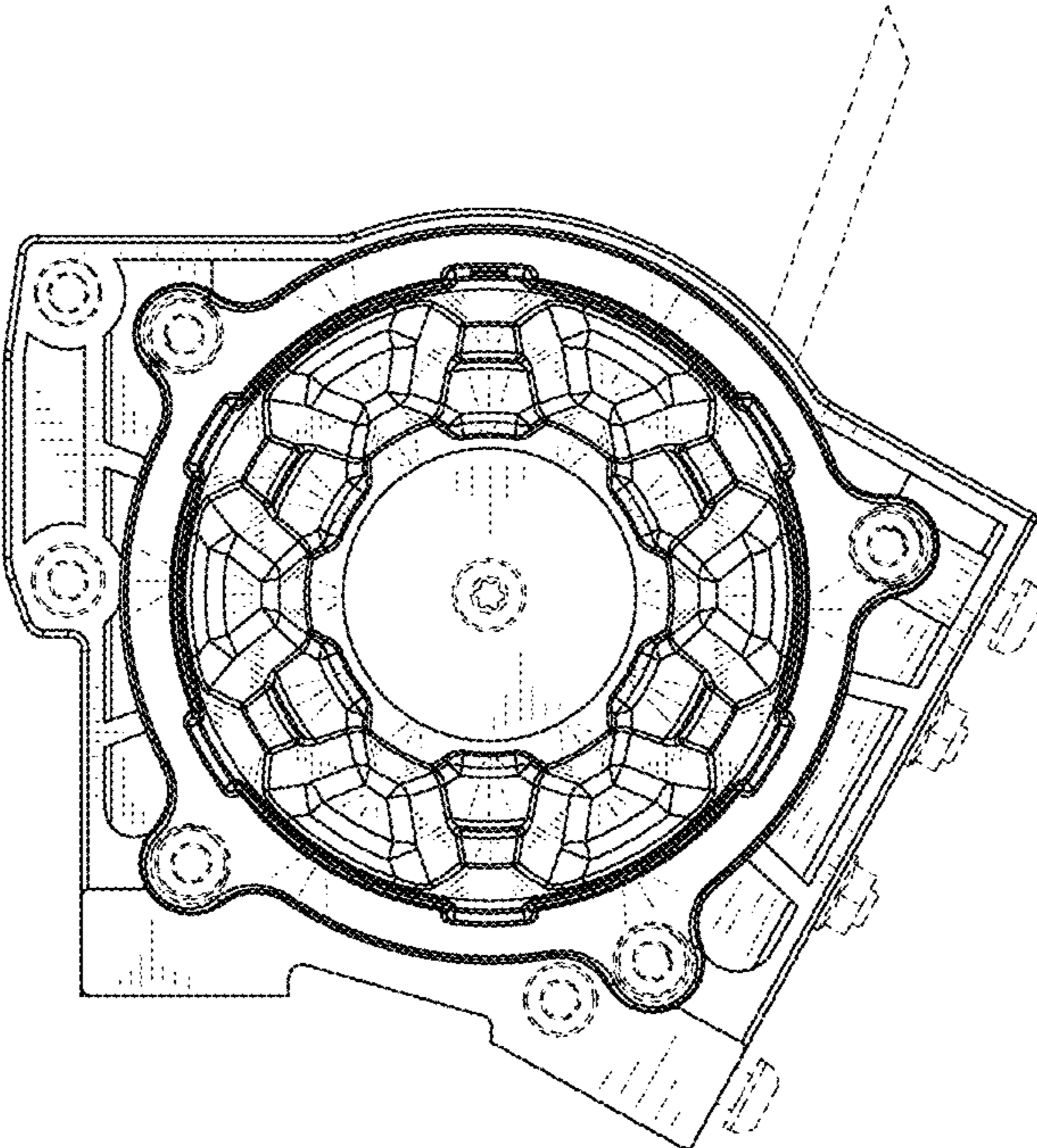


FIG.8

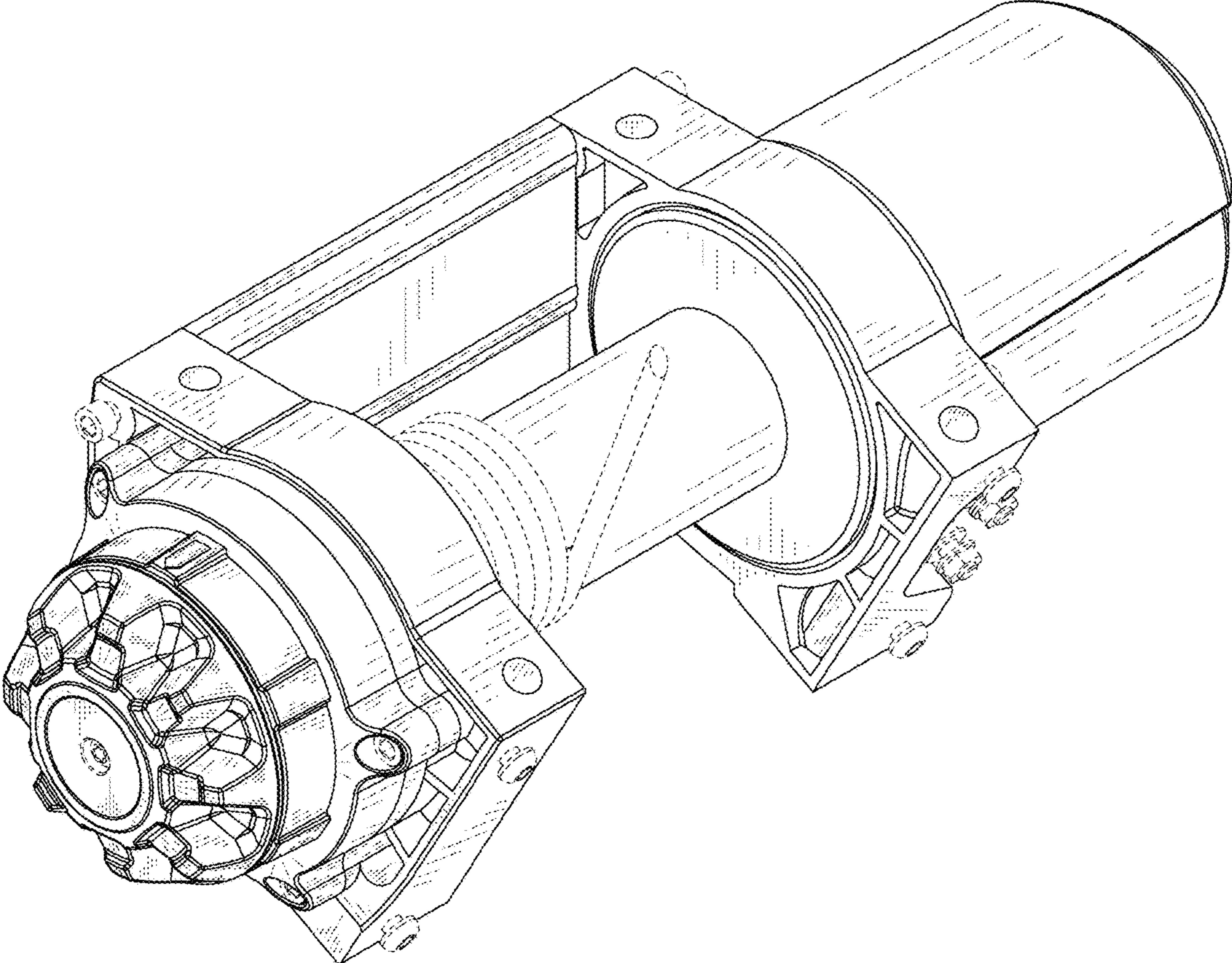


FIG.9

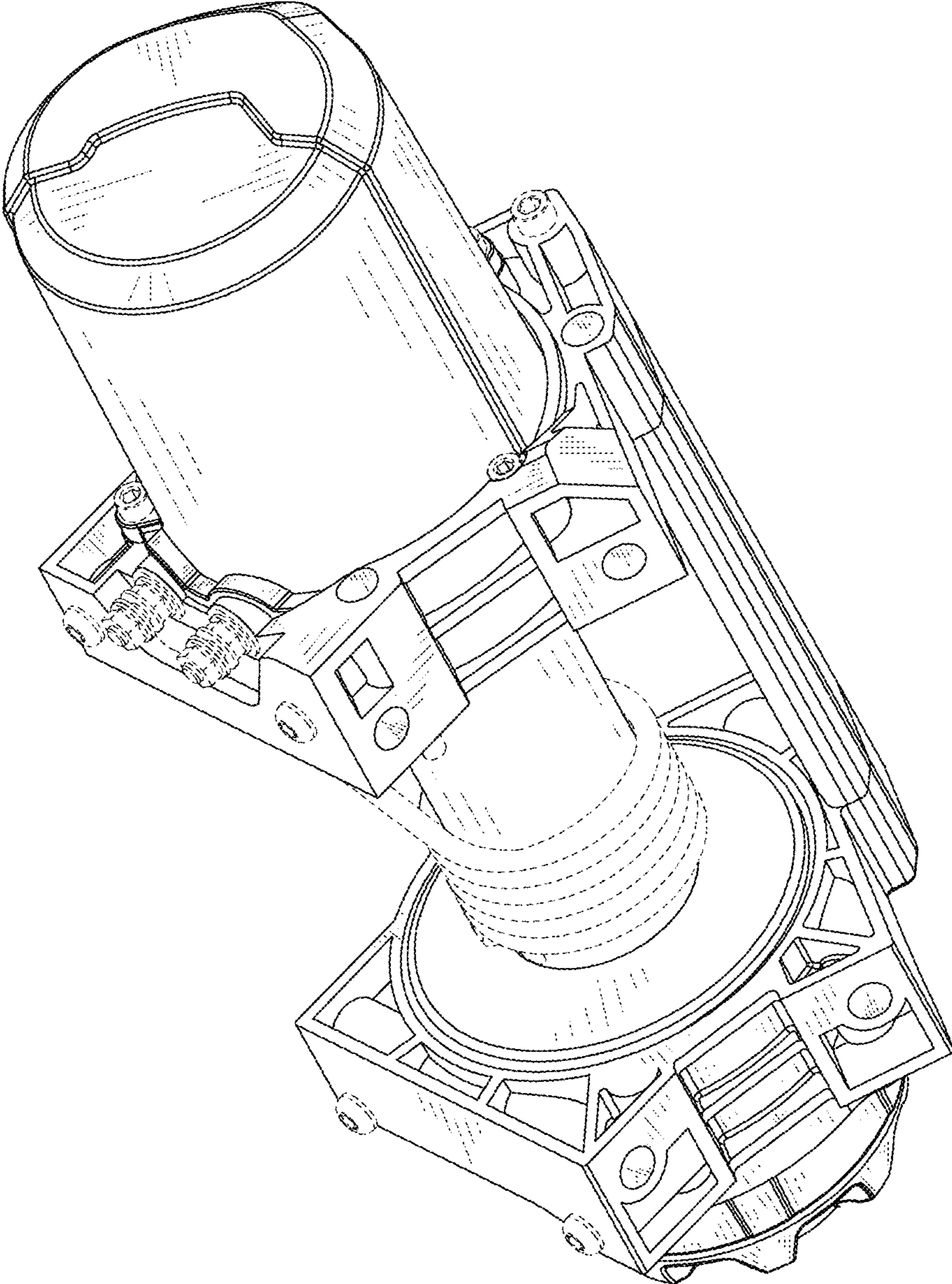


FIG.10

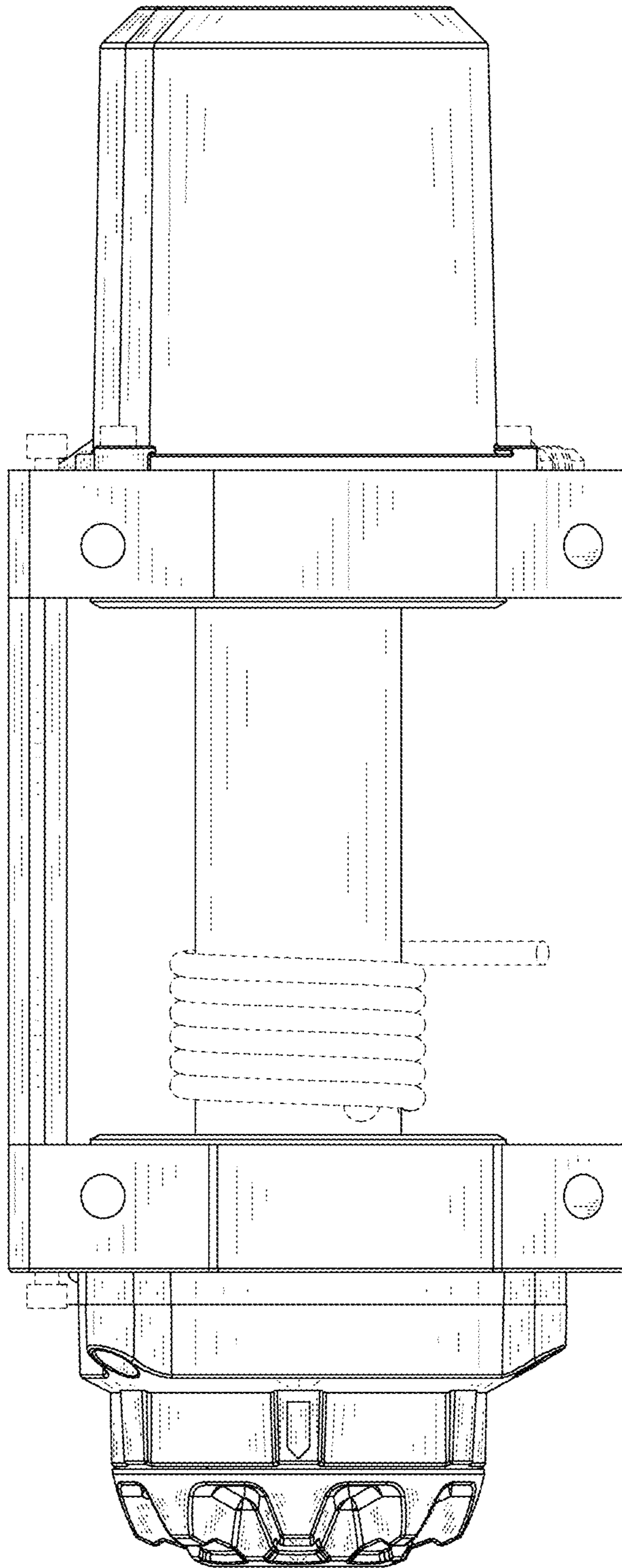


FIG. 11

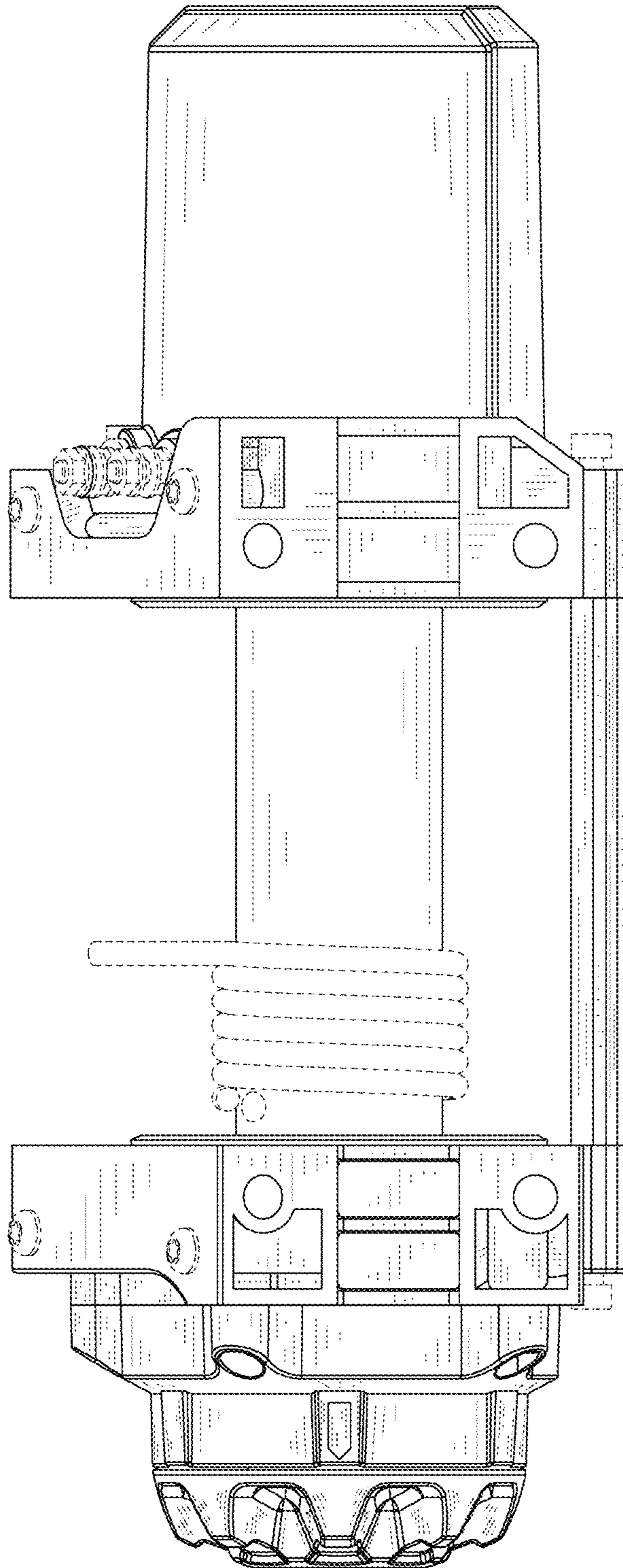


FIG. 12

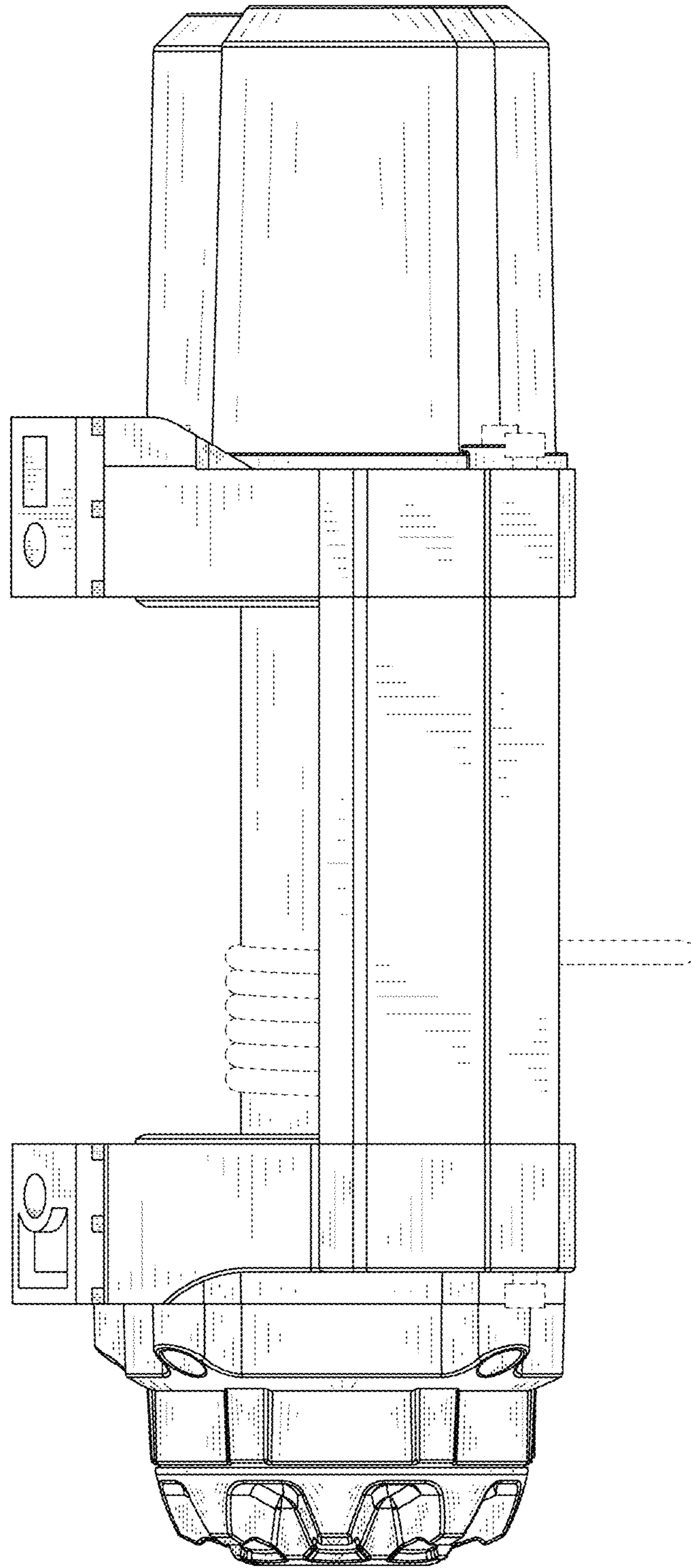


FIG.13

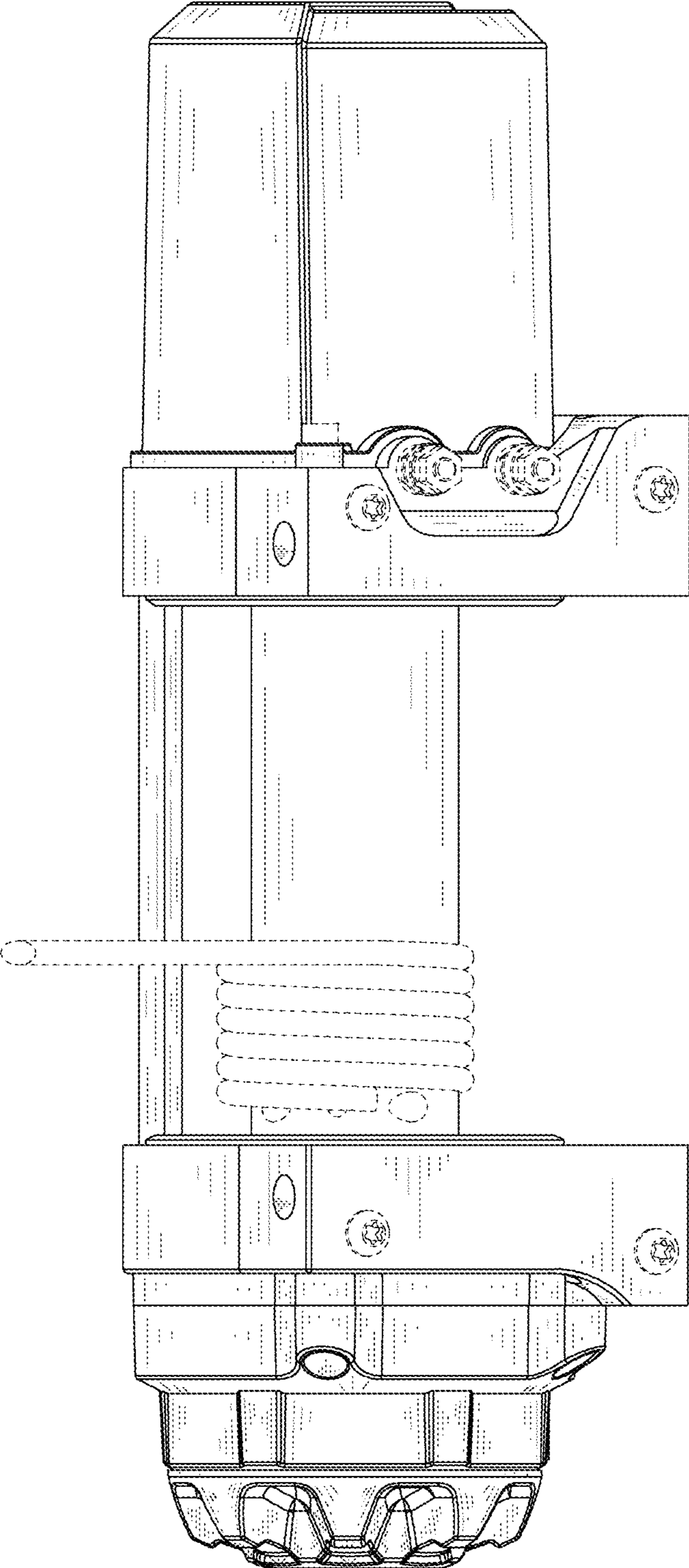


FIG.14

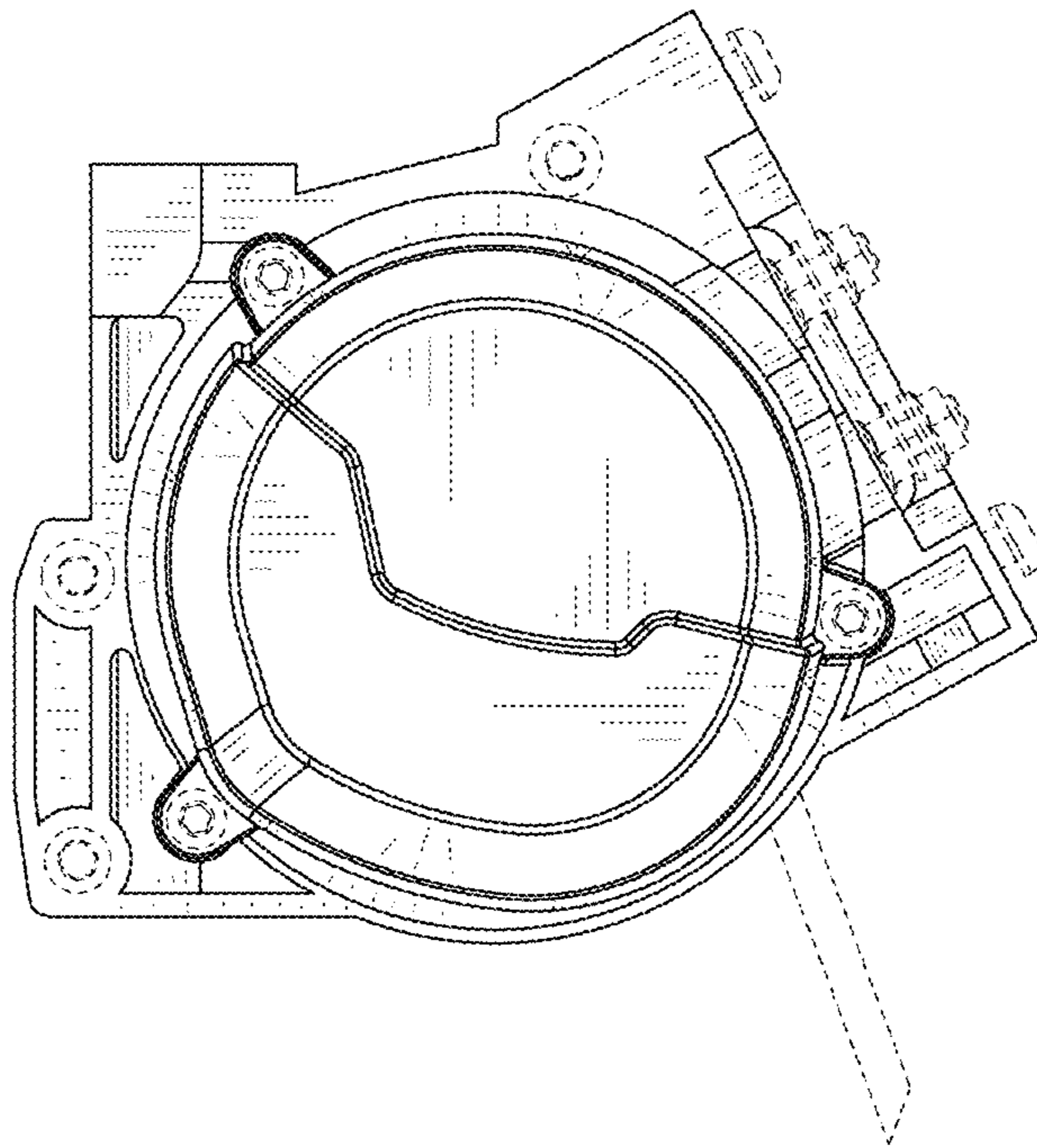


FIG.15



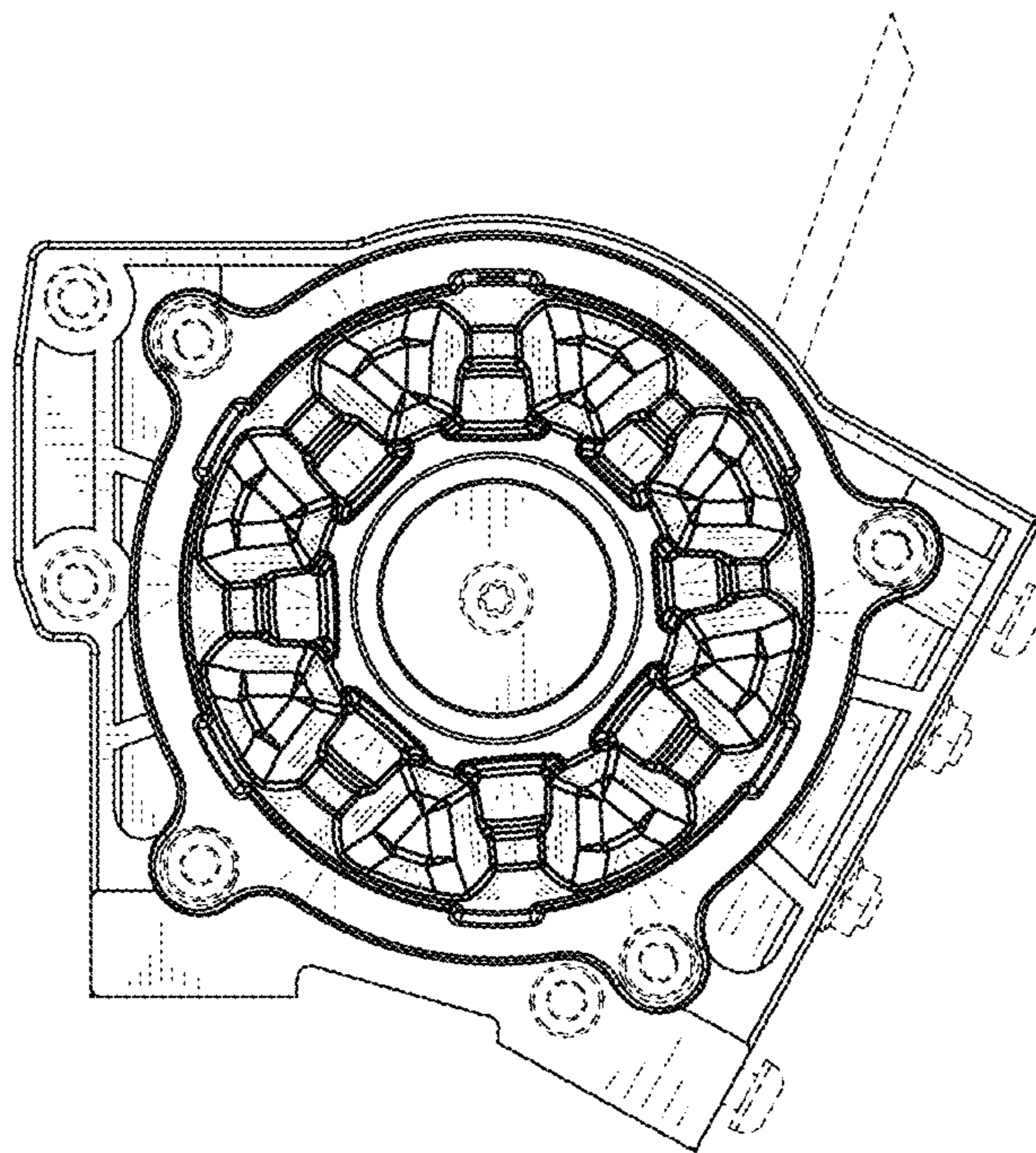


FIG.16