



US00D970143S

(12) **United States Design Patent**  
**Bailey**

(10) **Patent No.:** **US D970,143 S**

(45) **Date of Patent:** **\*\* Nov. 15, 2022**

(54) **COMBINED PORTABLE CART AND CABINET INCLINE FOR WORKPLACE**

(71) Applicant: **Barry E. Bailey**, York, PA (US)

(72) Inventor: **Barry E. Bailey**, York, PA (US)

(\*\*) Term: **15 Years**

(21) Appl. No.: **29/739,210**

(22) Filed: **Jun. 23, 2020**

(51) **LOC (13) Cl.** ..... **12-02**

(52) **U.S. Cl.**  
USPC ..... **D34/19**

(58) **Field of Classification Search**  
USPC ..... D34/12, 14, 19, 25; D3/905; 280/47.35, 280/79.11, 79.2, 79.3; D6/670  
CPC ..... B62B 3/002; B62B 3/003; B62B 3/005; B62B 2202/67; B65H 2405/422  
See application file for complete search history.

(56) **References Cited**

**U.S. PATENT DOCUMENTS**

D211,716 S *	7/1968	Roloson	.....	D34/19
D265,434 S *	7/1982	Phillips	.....	D34/18
D300,487 S *	4/1989	Dyer	.....	D6/671.1
D408,954 S *	4/1999	Geier	.....	D6/657
D535,452 S *	1/2007	Lim	.....	D34/19
D642,404 S *	8/2011	Koehn	.....	D6/670
D648,128 S *	11/2011	Clayton	.....	D3/905
D664,790 S *	8/2012	Christopher	.....	D6/670
D701,363 S *	3/2014	San Clemente	.....	D34/19

D850,749 S *	6/2019	Waldner	.....	D3/905
D889,061 S *	6/2020	Contell	.....	D15/79
2005/0212239 A1 *	9/2005	Carter	.....	A23L 3/28 280/47.35
2010/0072716 A1 *	3/2010	Grela	.....	B25H 3/021 280/47.35
2012/0013093 A1 *	1/2012	Frank	.....	B60D 1/66 280/79.11

\* cited by examiner

*Primary Examiner* — Cynthia Ramirez

(74) *Attorney, Agent, or Firm* — Louis M Heidelberg; The Law Offices of Louis M Heidelberg PLLC

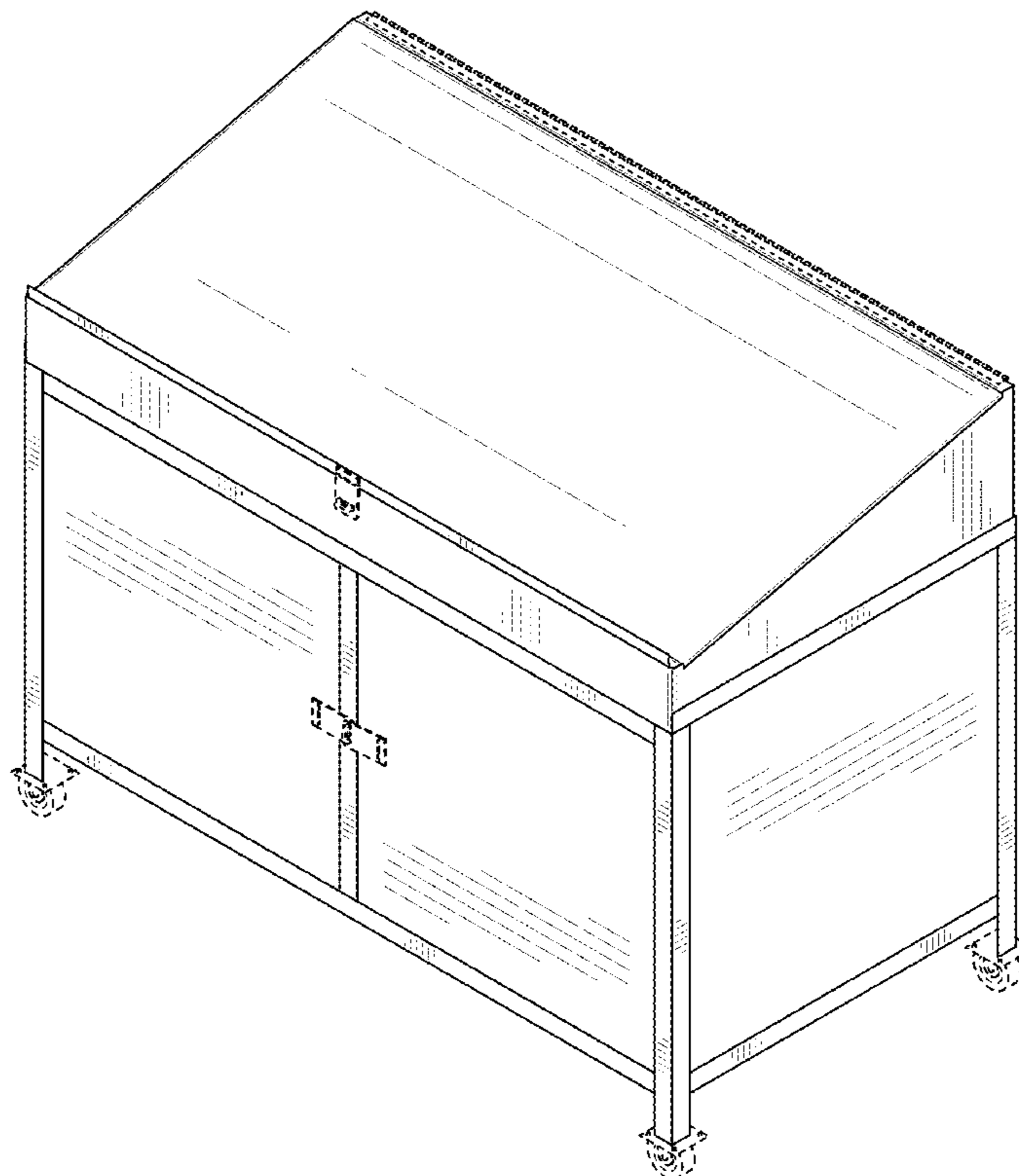
(57) **CLAIM**

The ornamental design for a combined portable cart and cabinet incline for workplace, as shown and described.

**DESCRIPTION**

FIG. 1 is front perspective view of a combined portable cart and cabinet incline showing my new design. FIG. 2 is a front elevation view thereof; FIG. 3 is a rear elevation view thereof; FIG. 4 is a side elevation view thereof; FIG. 5 is the other side elevation view thereof; FIG. 6 is a top elevated view thereof; and, FIG. 7 is an exploded perspective view thereof. The broken lines shown in the figures are included for the purpose of illustrating portions of the combined portable cart and cabinet incline for workplace, which form no part of the claimed design.

**1 Claim, 7 Drawing Sheets**



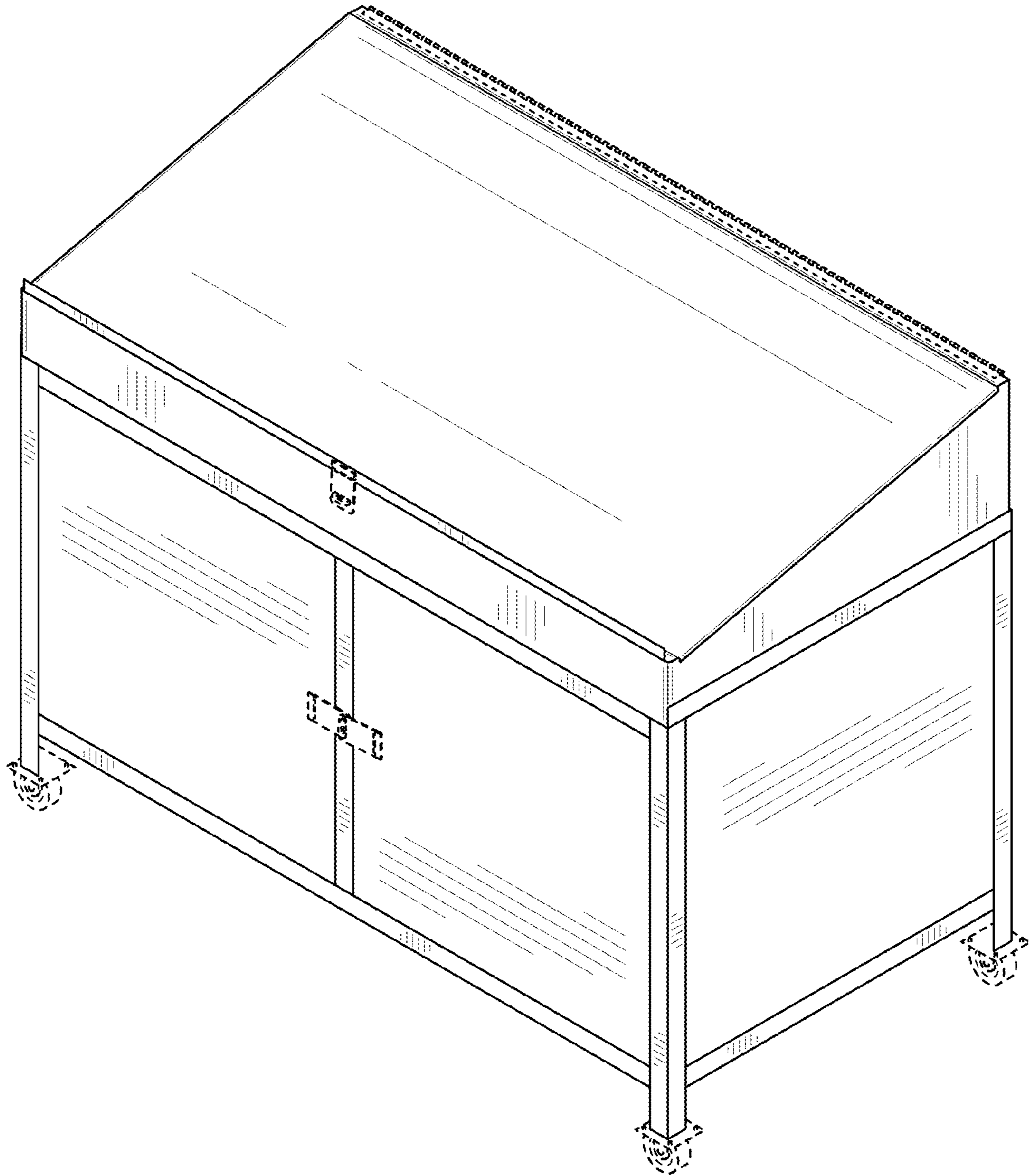


FIG. 1

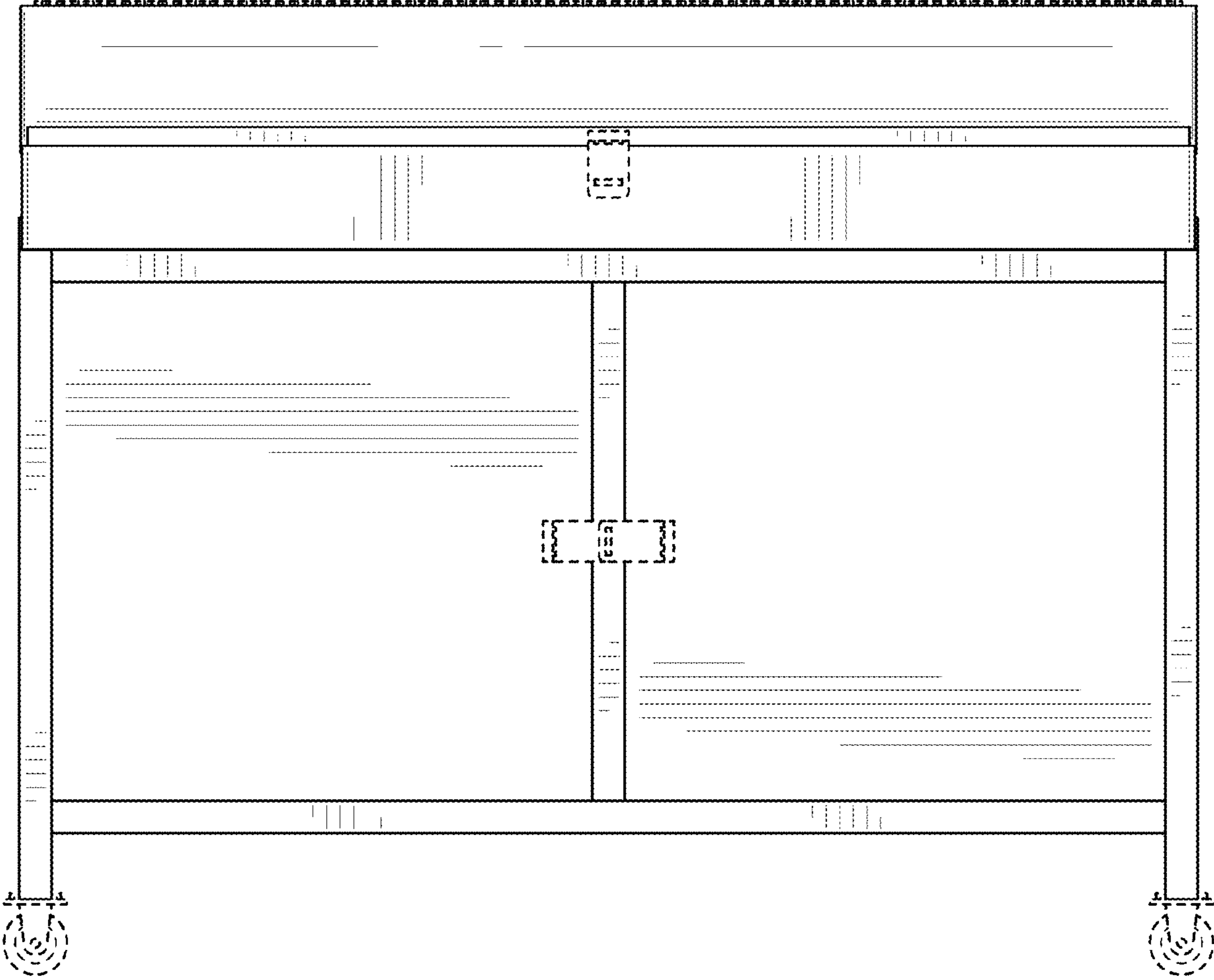


FIG. 2

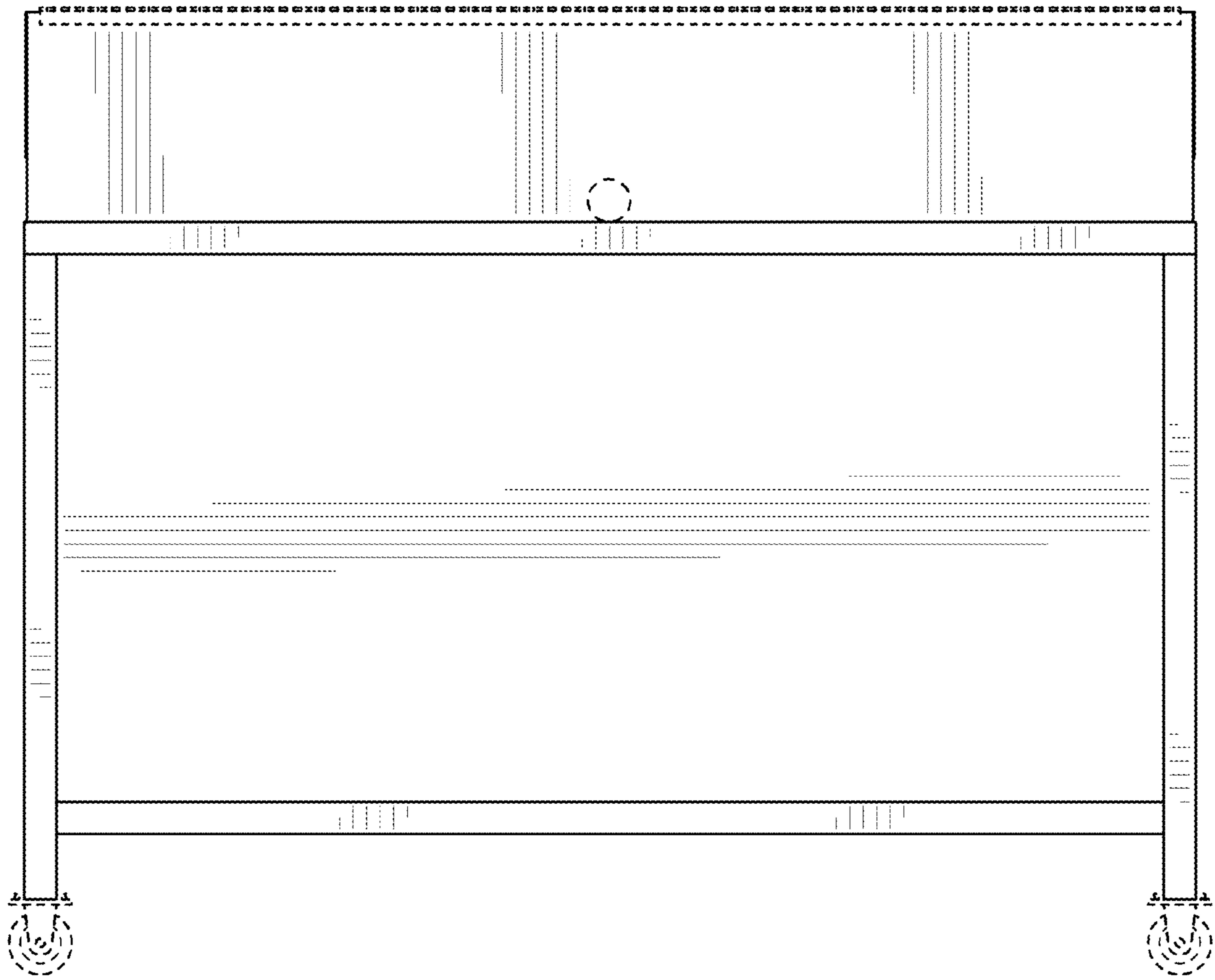


FIG. 3

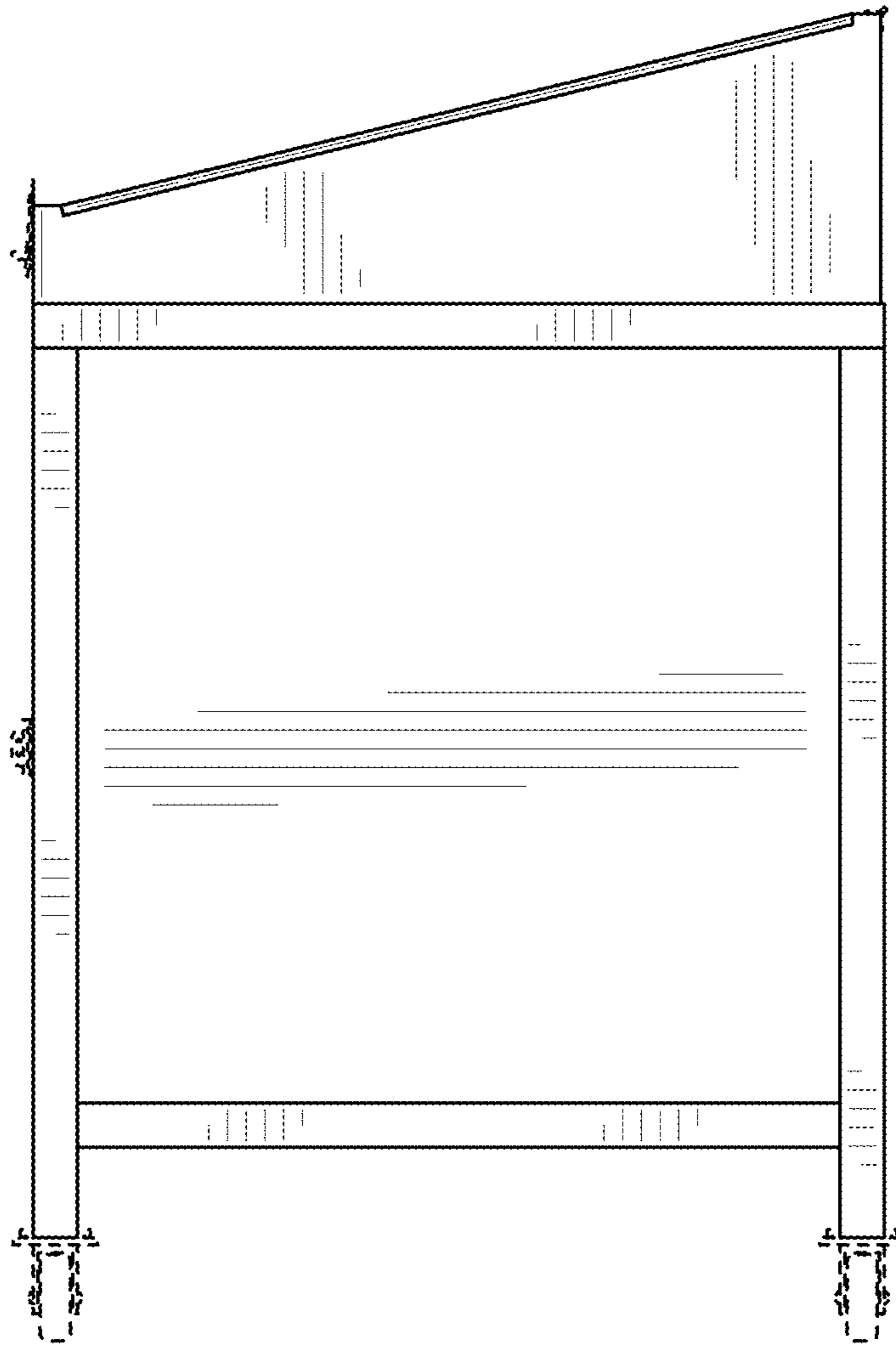


FIG. 4

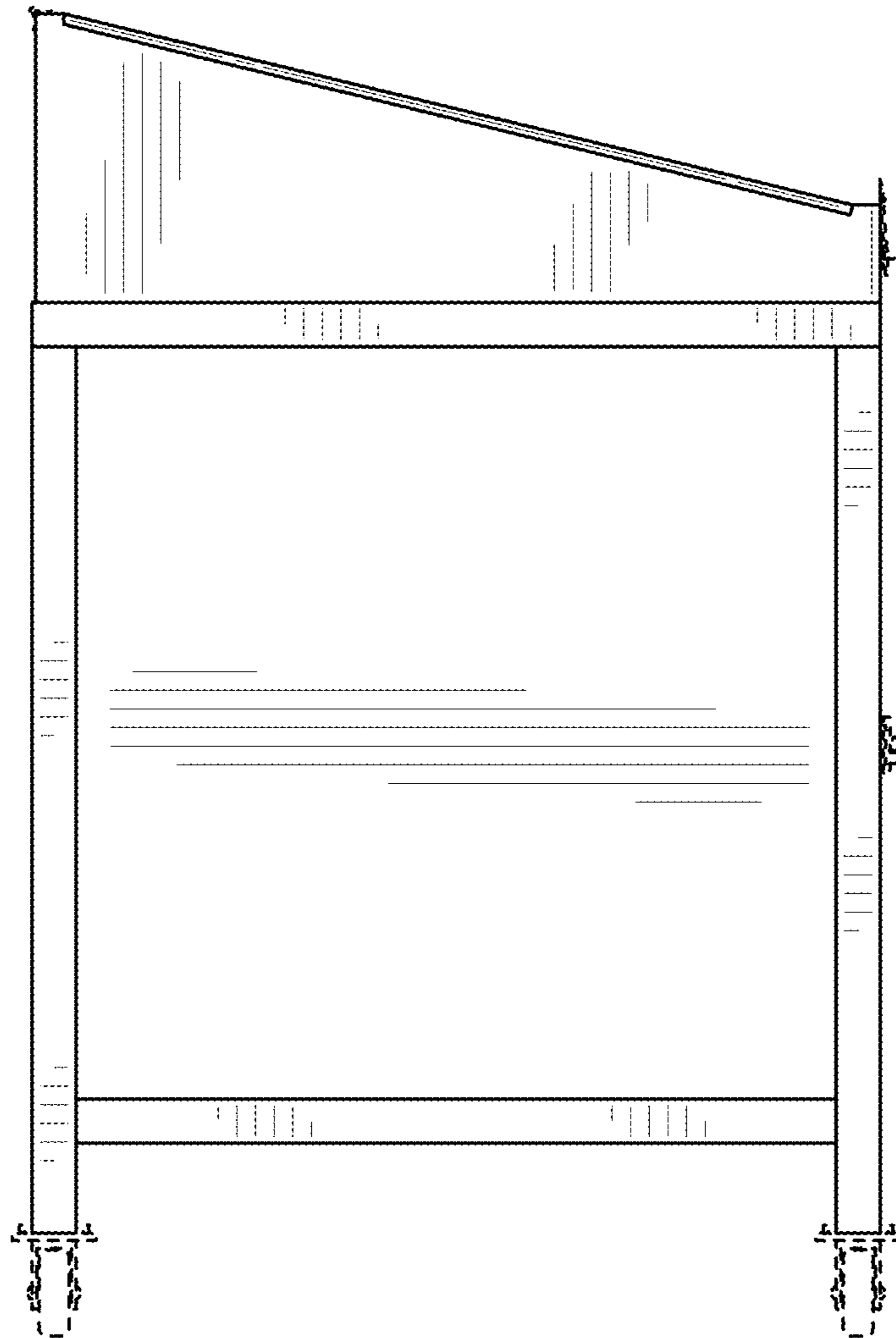


FIG. 5

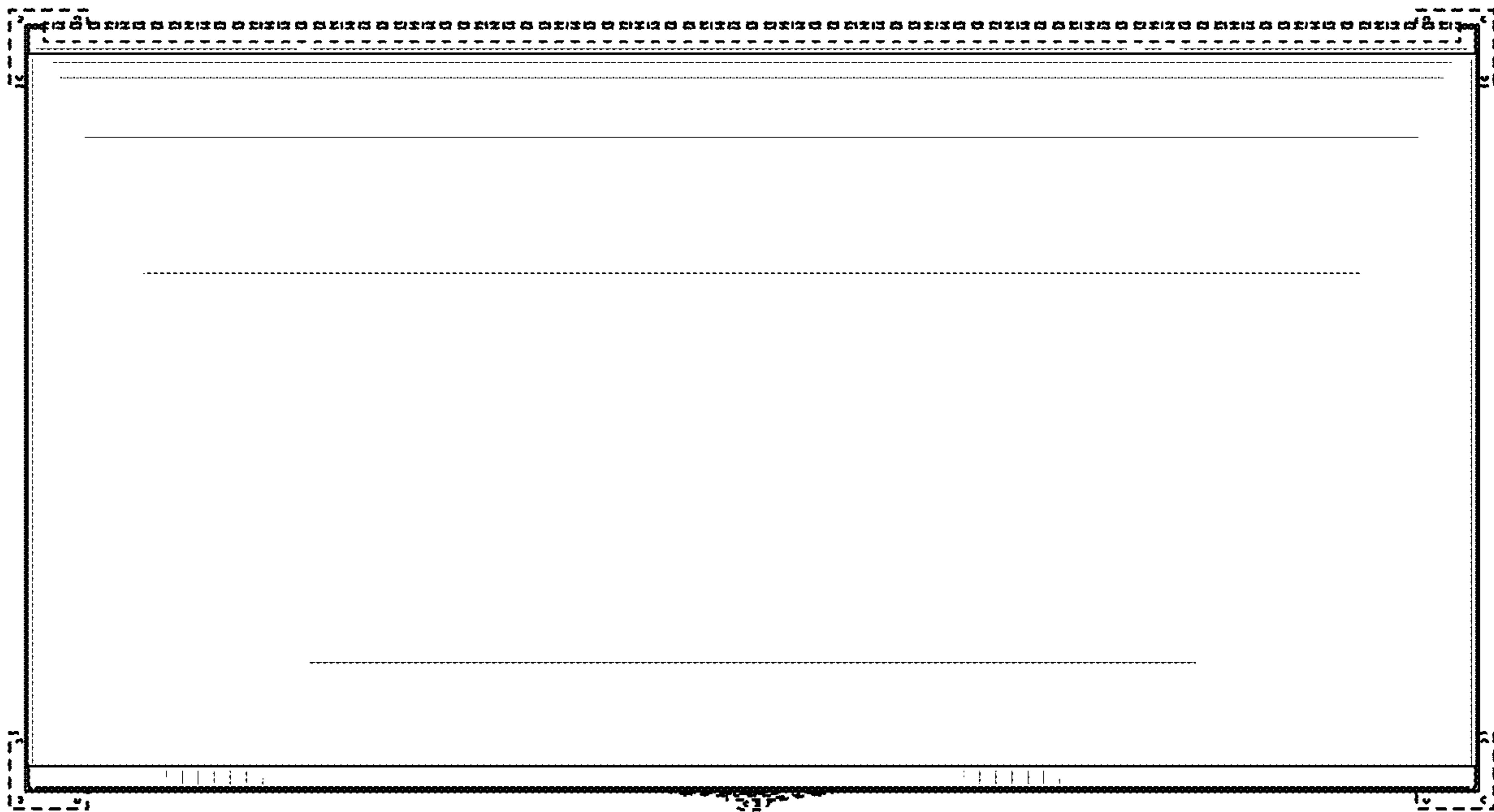


FIG. 6

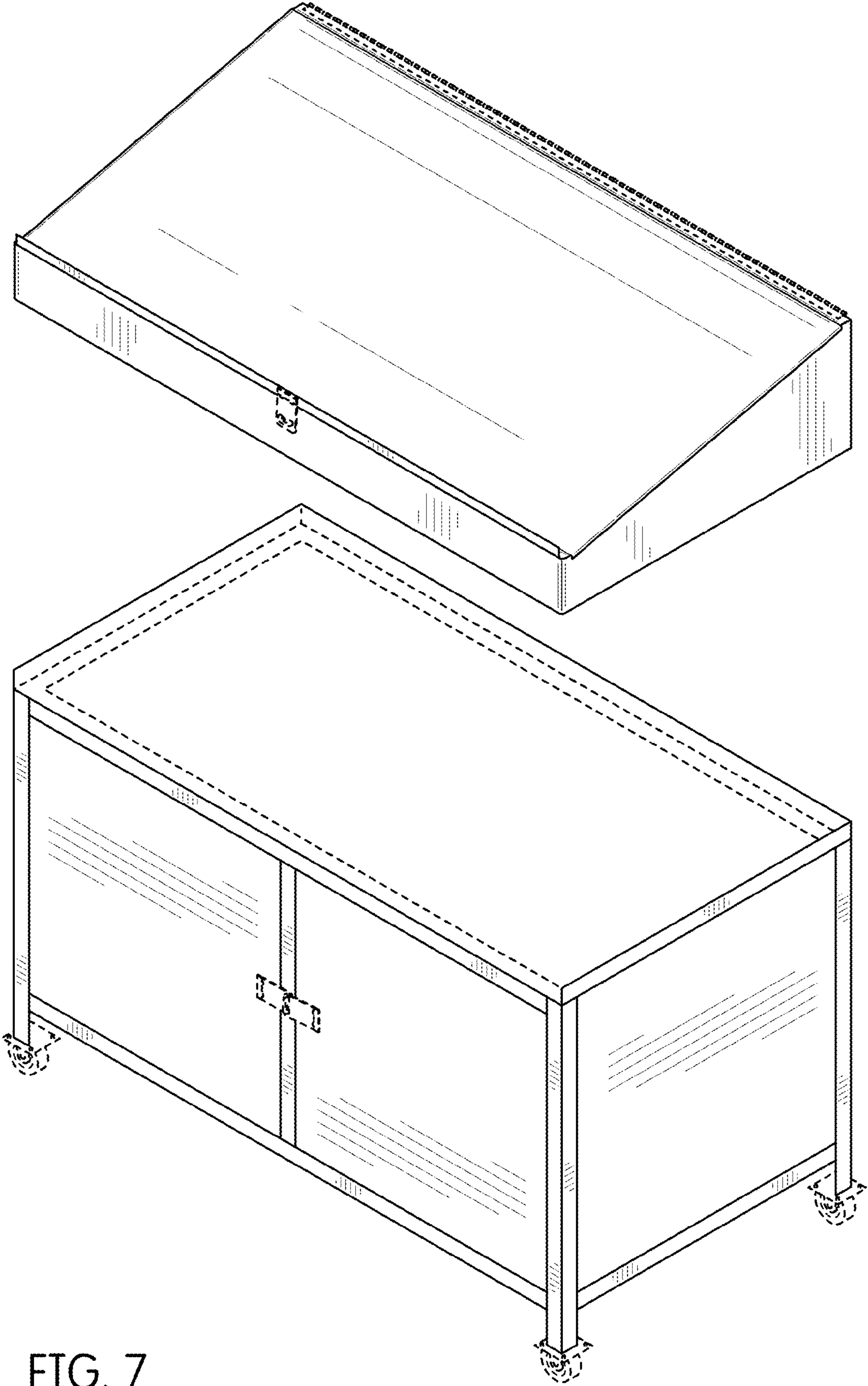


FIG. 7