



US00D970142S

(12) **United States Design Patent**
Hoff

(10) **Patent No.:** **US D970,142 S**

(45) **Date of Patent:** **** Nov. 15, 2022**

- (54) **FIREWOOD CART**
- (71) Applicant: **Thomas W. Hoff**, Maplecrest, NY (US)
- (72) Inventor: **Thomas W. Hoff**, Maplecrest, NY (US)
- (**) Term: **15 Years**
- (21) Appl. No.: **29/736,940**
- (22) Filed: **Jun. 4, 2020**
- (51) **LOC (13) Cl.** **12-02**
- (52) **U.S. Cl.**
USPC **D34/17**
- (58) **Field of Classification Search**
USPC D34/12-27
CPC B62B 5/002; B62B 1/12; B62B 1/047;
B62B 1/04; B62B 1/10; B62B 1/264;
B62B 1/14; B62B 3/02; B62B 3/002;
B62B 3/006; B62B 3/10; B62B 3/106;
B62B 3/04
See application file for complete search history.

6,799,769	B2 *	10/2004	Ziolkowski	B62B 1/264 414/490
D615,724	S *	5/2010	Girard	D24/185
D640,029	S *	6/2011	Barnes	D34/21
8,262,106	B1 *	9/2012	Suszynsky	B62B 5/002 280/47.131
D732,258	S *	6/2015	Garcia	D34/12
D771,894	S *	11/2016	Roach	D34/12
D827,970	S *	9/2018	Khubani	D34/20
D835,876	S *	12/2018	Ahearn	D34/26
D949,506	S *	4/2022	Dietz	D34/12
2001/0035620	A1 *	11/2001	Wilson	B63C 11/02 280/47.24
2015/0251066	A1 *	9/2015	Benedict	B62B 3/12 180/215

* cited by examiner

Primary Examiner — Cynthia Ramirez
(74) *Attorney, Agent, or Firm* — Burns & Levinson LLP;
Bruce D. Jobse; Marlo Schepper Grolnic

(57) **CLAIM**

The ornamental design for a firewood cart, as shown and described.

DESCRIPTION

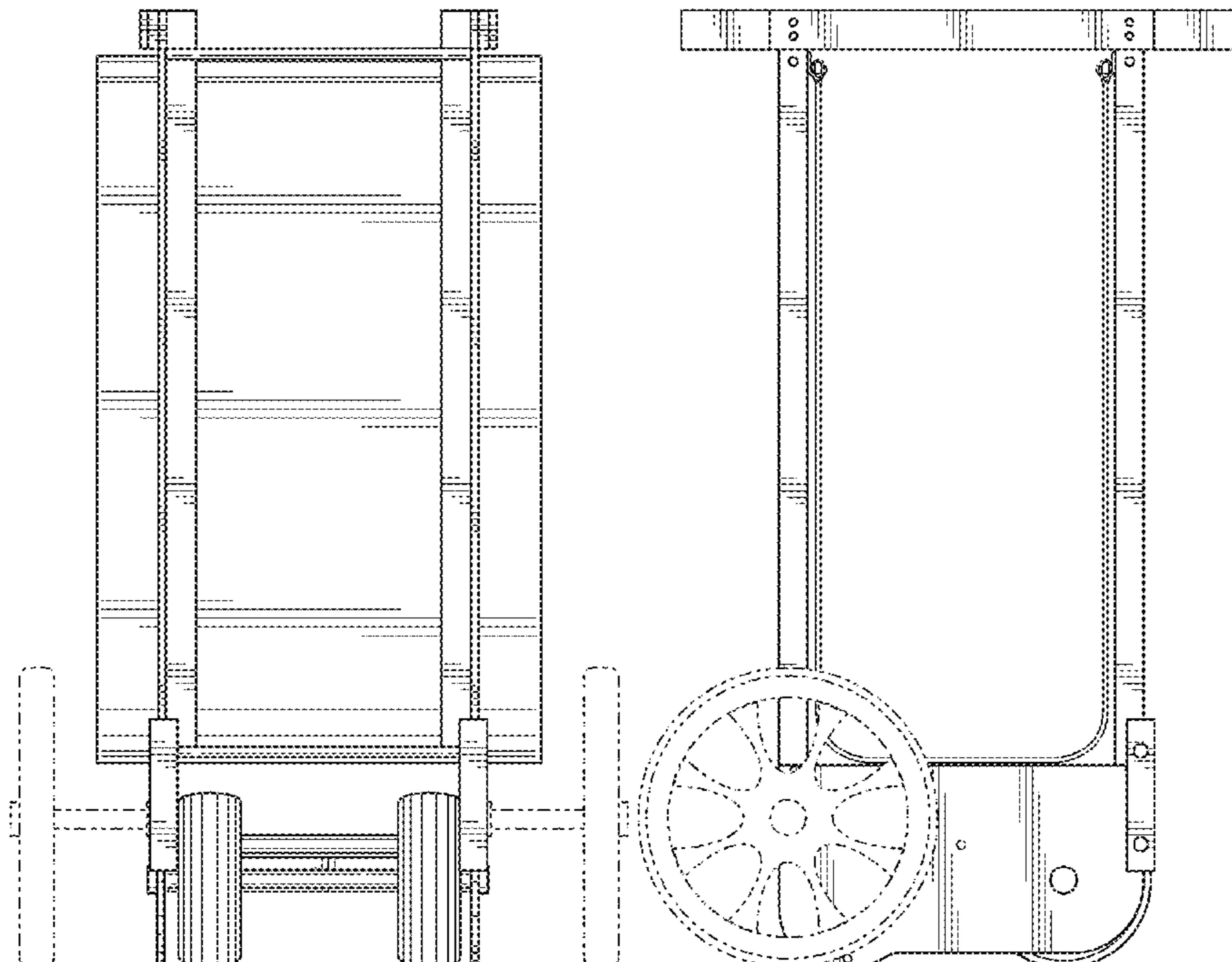
FIG. 1 is a front elevation view of the firewood cart of my invention;
FIG. 2 is a rear elevation view of the firewood cart;
FIG. 3 is a left side elevation view of the firewood cart;
FIG. 4 is a right side elevation view of the firewood cart;
FIG. 5 is a top plan view of the firewood cart; and,
FIG. 6 is a bottom plan view of the firewood cart.
The broken lines shown in the figures are for the purpose of illustrating portions of the firewood cart and form no part of the claimed design.

1 Claim, 3 Drawing Sheets

(56) **References Cited**

U.S. PATENT DOCUMENTS

D264,696	S *	6/1982	Rahn	D34/24
5,071,148	A *	12/1991	Salvucci, Sr.	B62B 1/264 280/47.24
5,351,983	A *	10/1994	Descalo	B62B 1/12 280/DIG. 6
D356,410	S *	3/1995	Cole	D34/24
D391,734	S *	3/1998	Melgey	D34/12
D393,127	S *	3/1998	Vidmar	D34/12
D422,392	S *	4/2000	Weinstein	D34/12
D424,770	S *	5/2000	Watkins	D34/12
D432,283	S *	10/2000	Mohns	D34/24



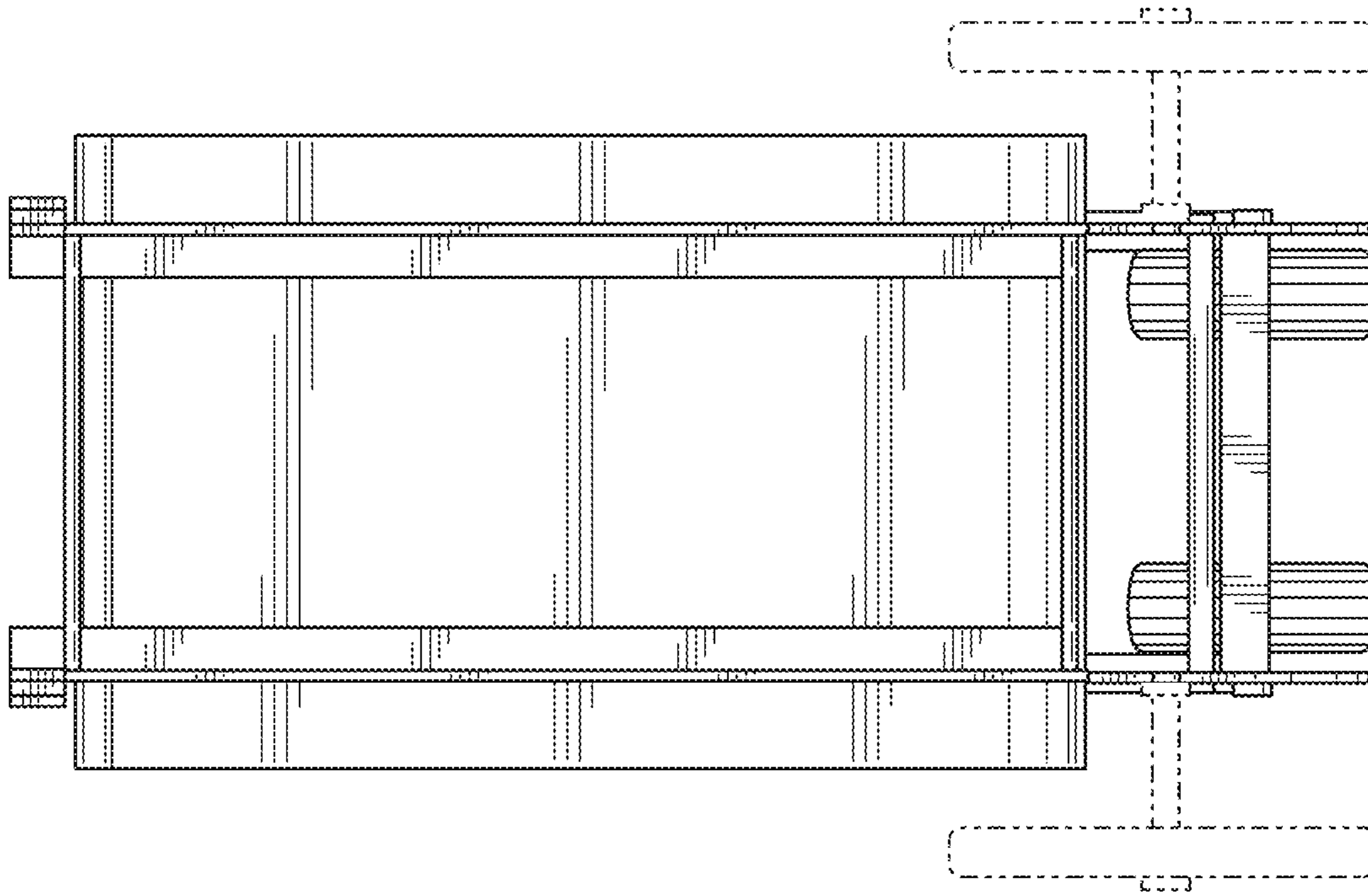


FIG. 2

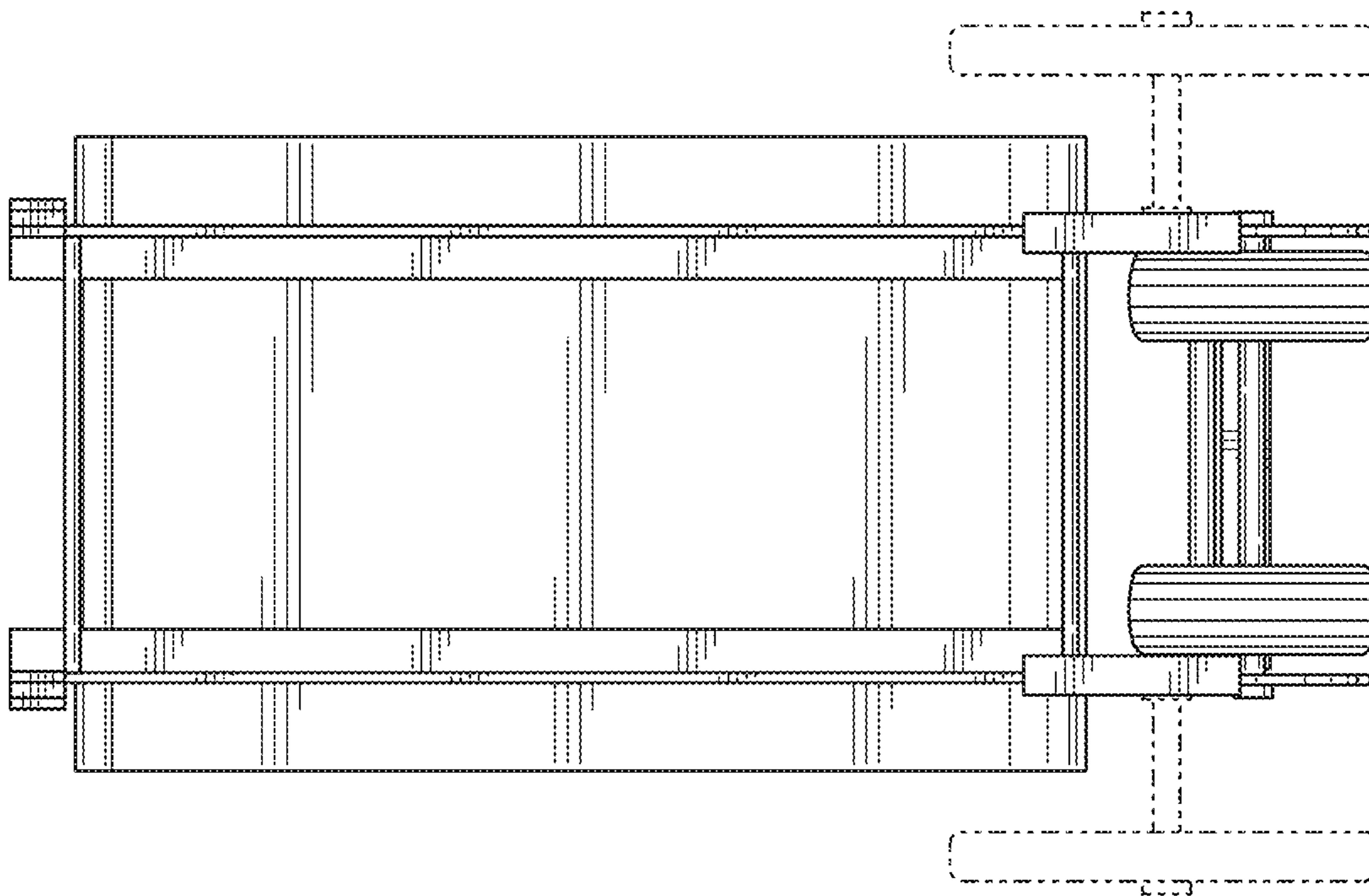


FIG. 1

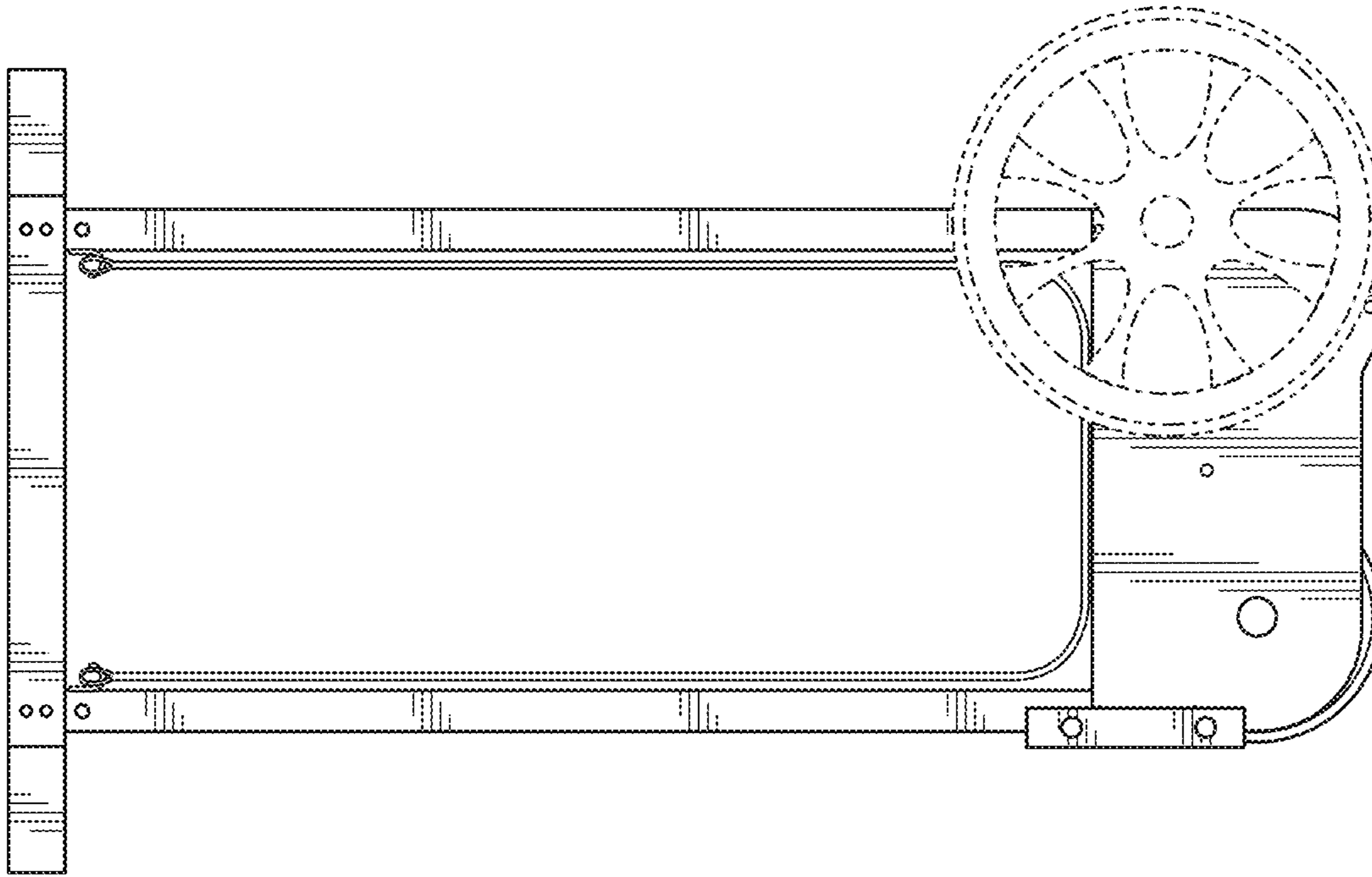


FIG. 4

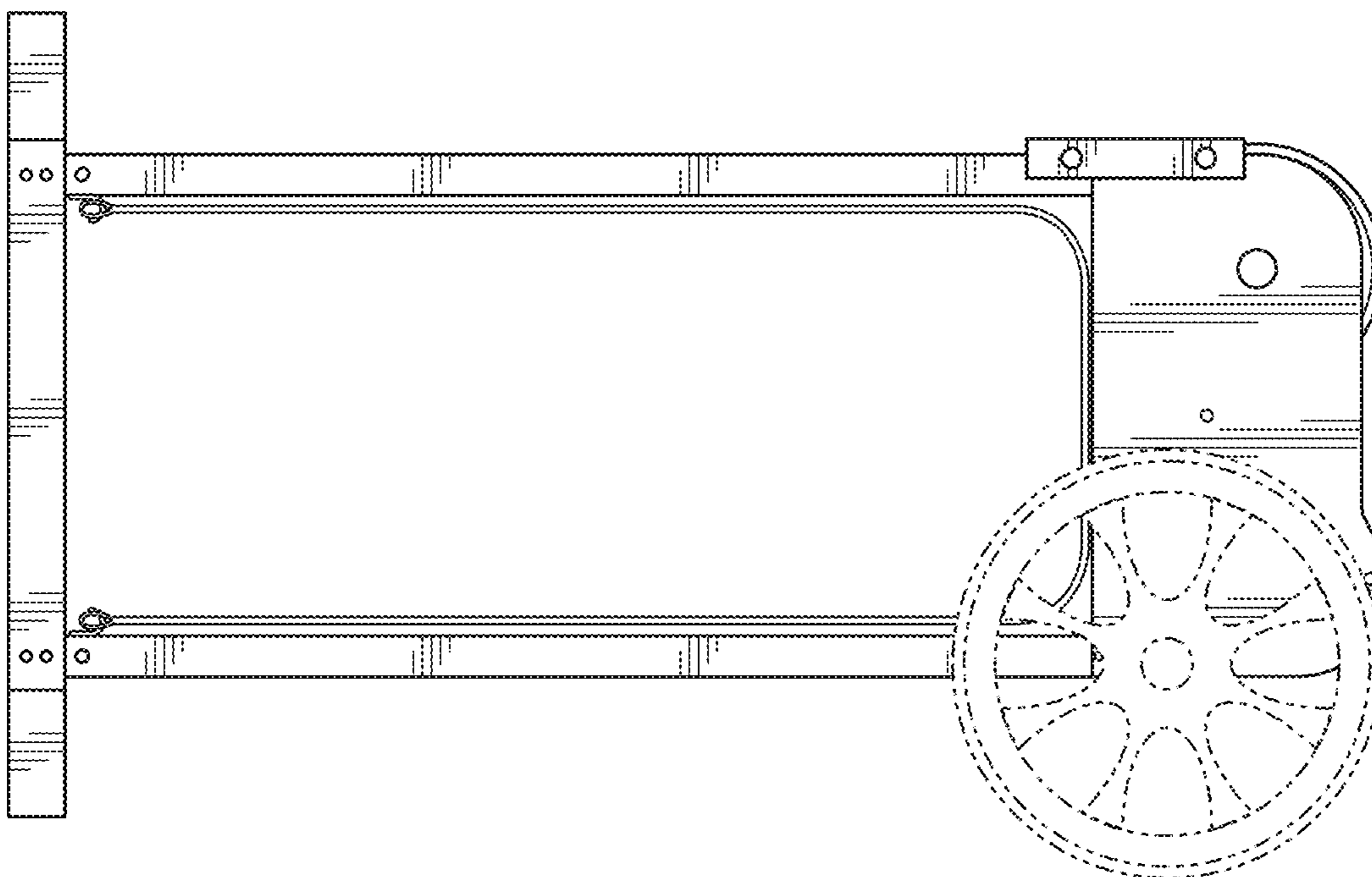


FIG. 3

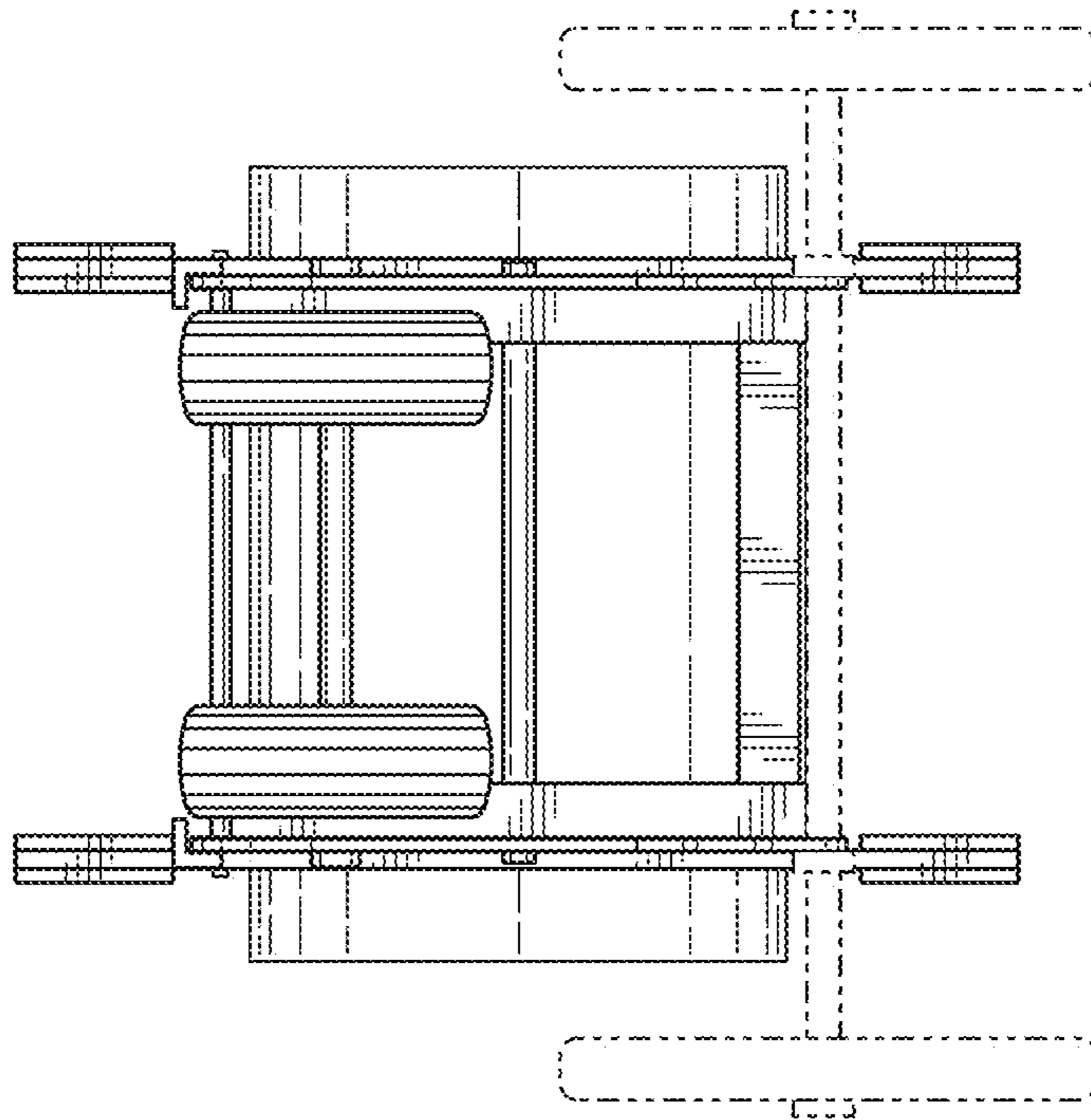


FIG. 6

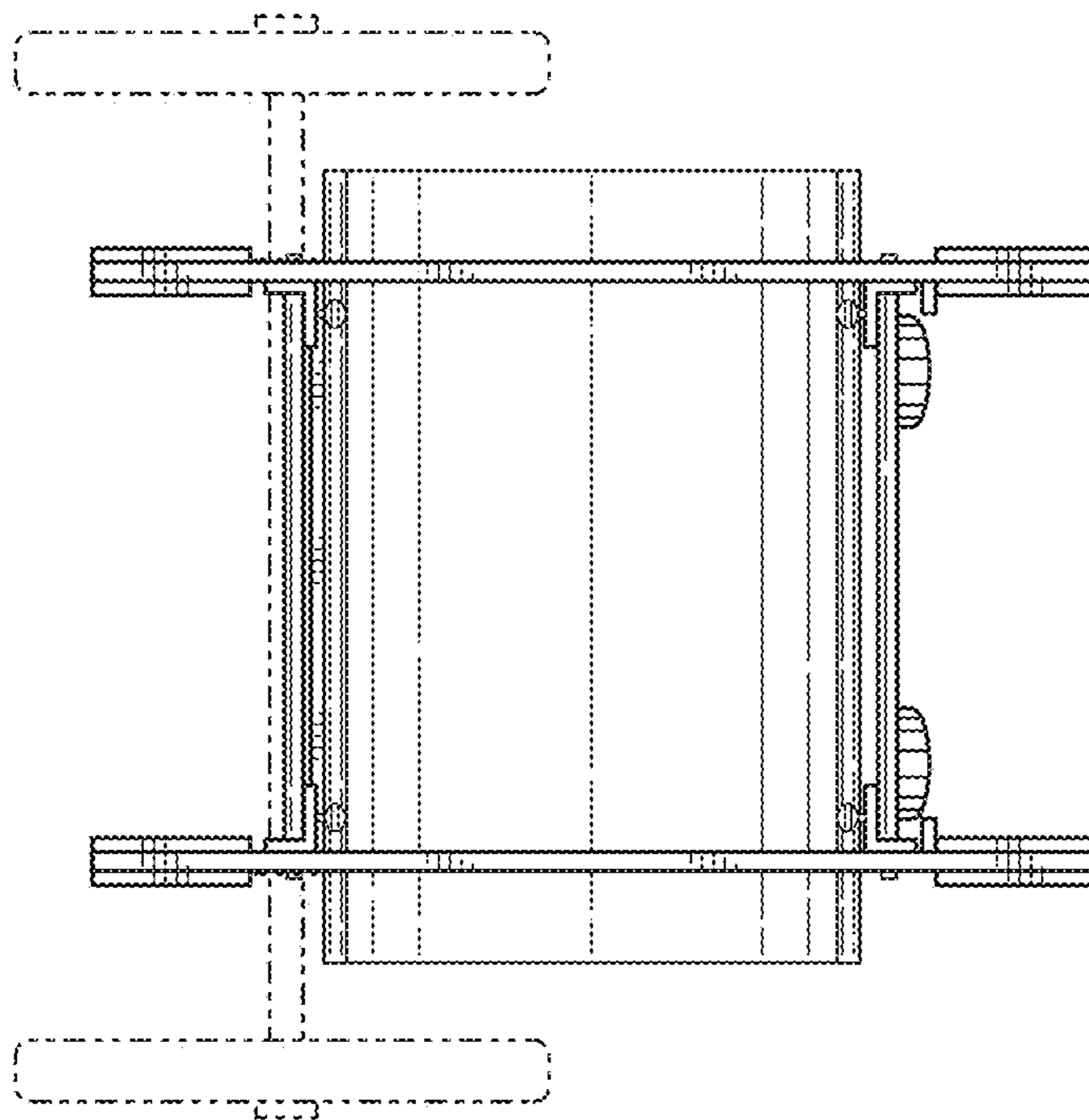


FIG. 5