



US00D970141S

(12) **United States Design Patent** (10) **Patent No.:** **US D970,141 S**
Sumina (45) **Date of Patent:** **** Nov. 15, 2022**

(54) **HAND CART**

(71) Applicant: **Naoyuki Sumina**, Kurashiki (JP)

(72) Inventor: **Naoyuki Sumina**, Kurashiki (JP)

(**) Term: **15 Years**

(21) Appl. No.: **35/511,615**

(22) Filed: **Sep. 25, 2020**

(80) **Hague Agreement Data**

Int. Filing Date: **Sep. 25, 2020**

Int. Reg. No.: **DM/210539**

Int. Reg. Date: **Sep. 25, 2020**

Int. Reg. Pub. Date: **Mar. 26, 2021**

(30) **Foreign Application Priority Data**

Apr. 13, 2020 (JP) 2020-009749

(51) **LOC (13) Cl.** **12-02**

(52) **U.S. Cl.** **D34/16**

USPC **B62B 1/18** (2013.01)

(58) **Field of Classification Search**

USPC D34/12-27; 180/19.1, 19.3, 65.31, 11,
180/15, 14.1; 280/47.31

CPC B62B 1/18; B62B 5/003; B62B 5/0066;
B62B 5/0043; B60K 7/0007; B60Y
2200/225

See application file for complete search history.

(56) **References Cited**

U.S. PATENT DOCUMENTS

D163,280 S * 5/1951 Harrison D34/16

4,401,313 A * 8/1983 Filas B62B 1/208

D313,254 S * 12/1990 Maple D21/534

D329,726 S * 9/1992 Loveless D34/16

D374,958 S * 10/1996 Watanabe D34/12

5,884,924 A * 3/1999 Fairchild B62B 1/18

280/47.32

D455,535 S * 4/2002 Kamphuis D34/27
D463,893 S * 10/2002 Hoffmann D34/16
D490,584 S * 5/2004 Stark D34/16
D501,972 S * 2/2005 Hillbohm D34/16
D501,974 S * 2/2005 Lawson D34/27
D528,728 S * 9/2006 Link D34/16
D544,173 S * 6/2007 Mullen D34/16
D574,121 S * 7/2008 Song D34/16
D661,452 S * 6/2012 Albert D34/27
8,997,903 B2 * 4/2015 Vandelinde B62B 1/18
180/19.1
D809,732 S * 2/2018 Lee D34/27
D811,680 S * 2/2018 Dumas D34/16
D811,681 S * 2/2018 Hollander D34/16
D814,137 S * 3/2018 Linto D34/27
D885,701 S * 5/2020 Draleau D34/16
2005/0127626 A1 * 6/2005 Haemmerlin B62B 1/22
280/47.31

(Continued)

FOREIGN PATENT DOCUMENTS

JP 2011051390 A * 3/2011 B62B 1/186

Primary Examiner — Richard E Chilcot

(74) *Attorney, Agent, or Firm* — Rahman LLC

(57) **CLAIM**

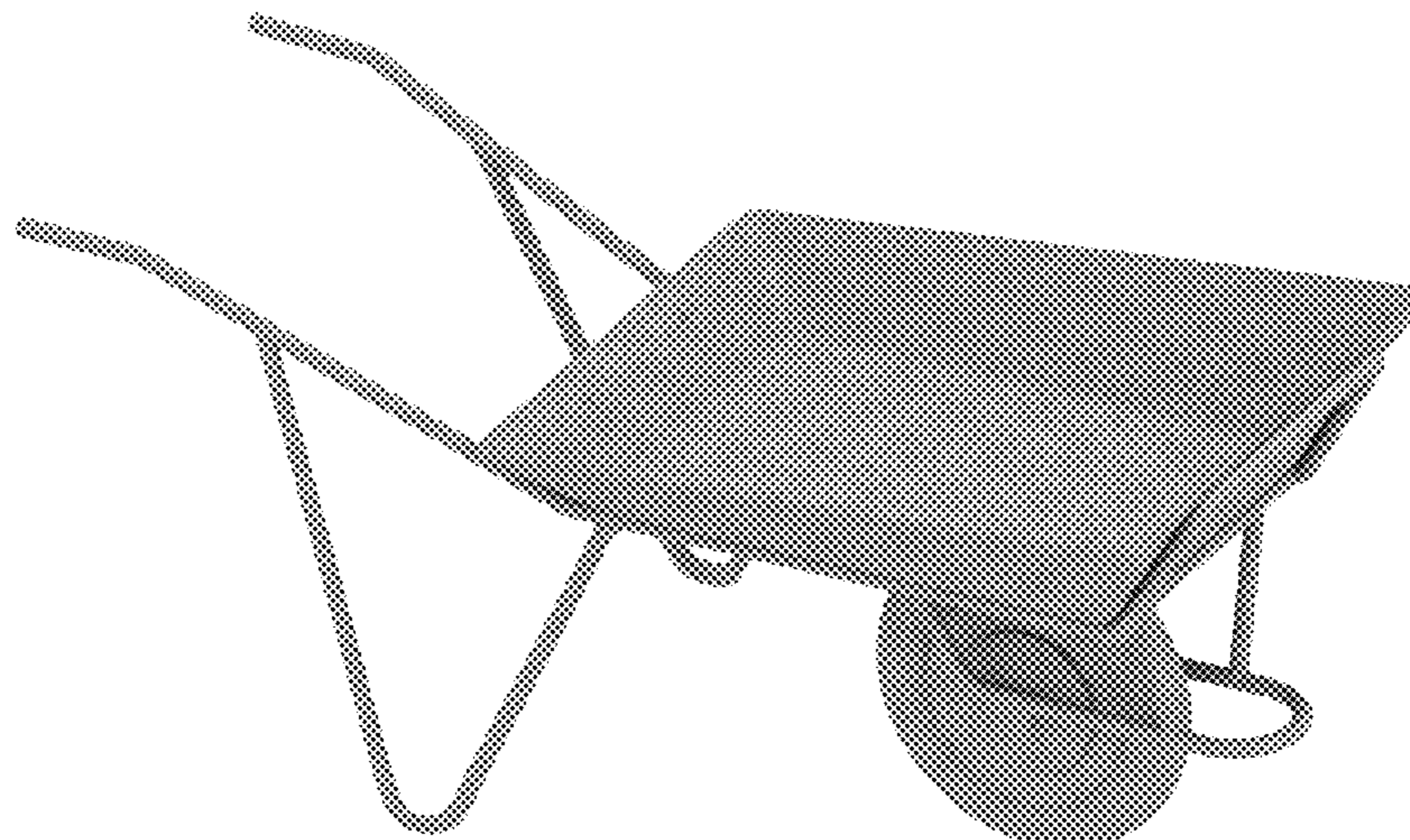
The ornamental design for hand cart, as shown and described.

DESCRIPTION

- 1. Hand cart
- 1.1 : Perspective
- 1.2 : Front
- 1.3 : Right
- 1.4 : Left
- 1.5 : Top
- 1.6 : Bottom

The article of the design is hand cart; the shading and tone in the reproductions are to represent relief or contours of surfaces of the three-dimensional products; the back view of each design is omitted because it is a mirror image of the front view.

1 Claim, 6 Drawing Sheets



(56)

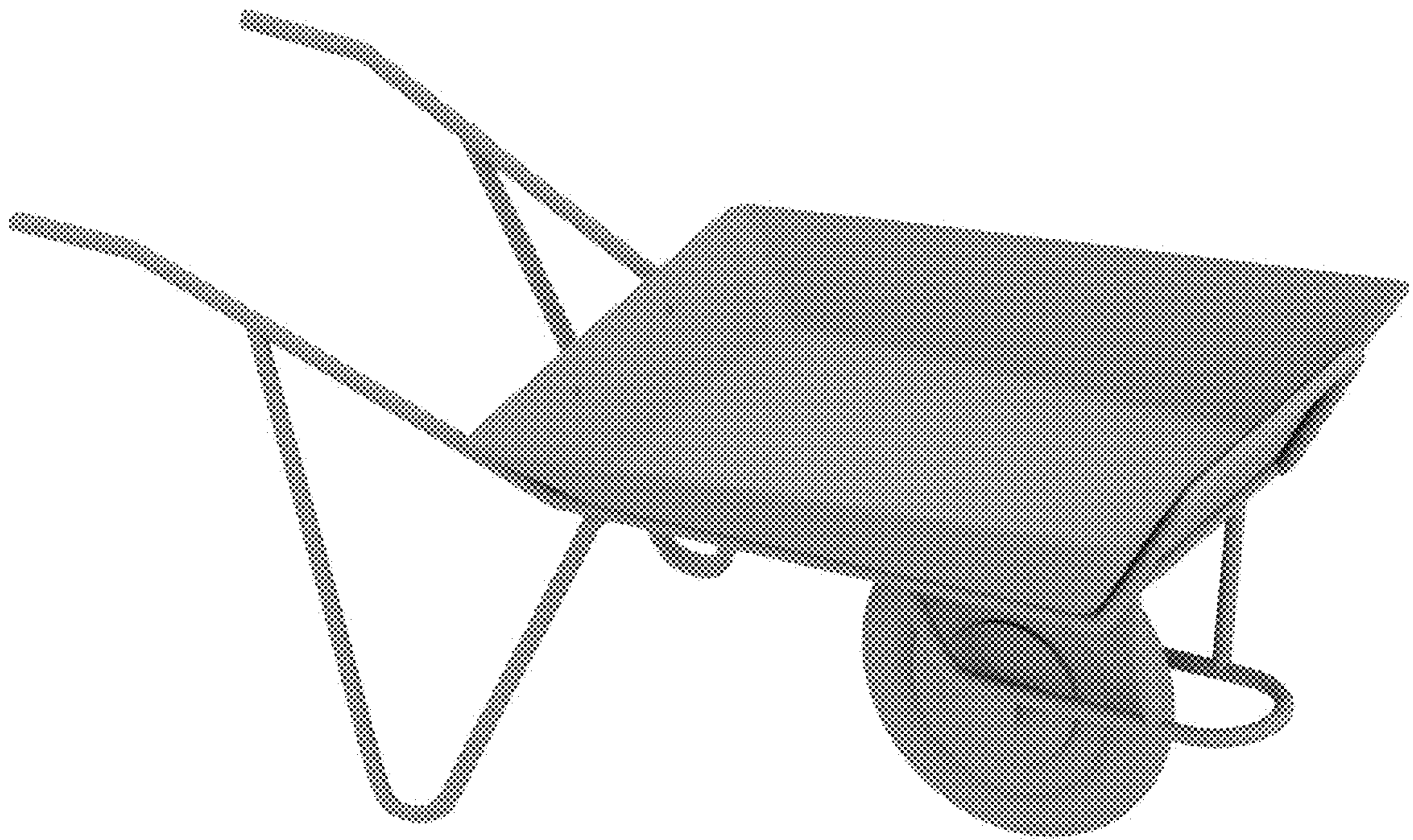
References Cited

U.S. PATENT DOCUMENTS

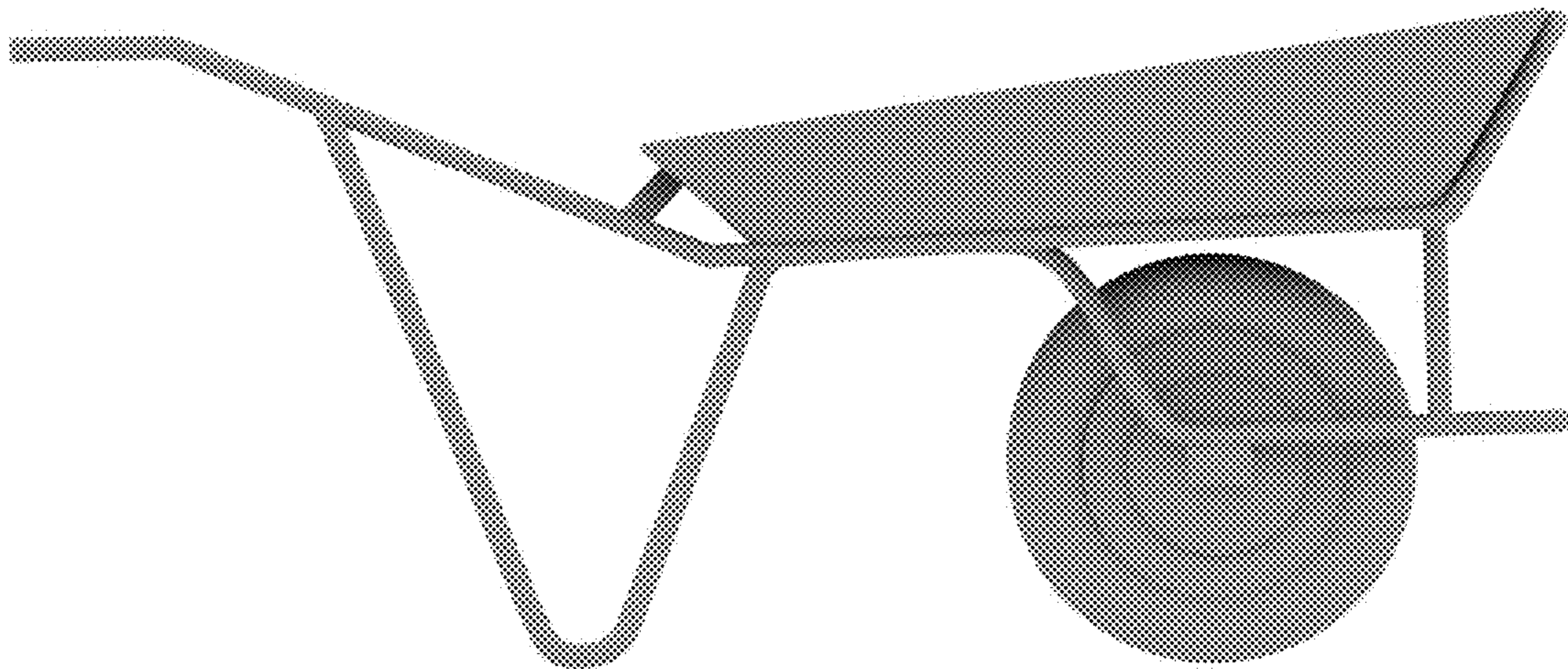
2007/0290467 A1* 12/2007 Gonzalez B62B 1/22
280/47.31

* cited by examiner

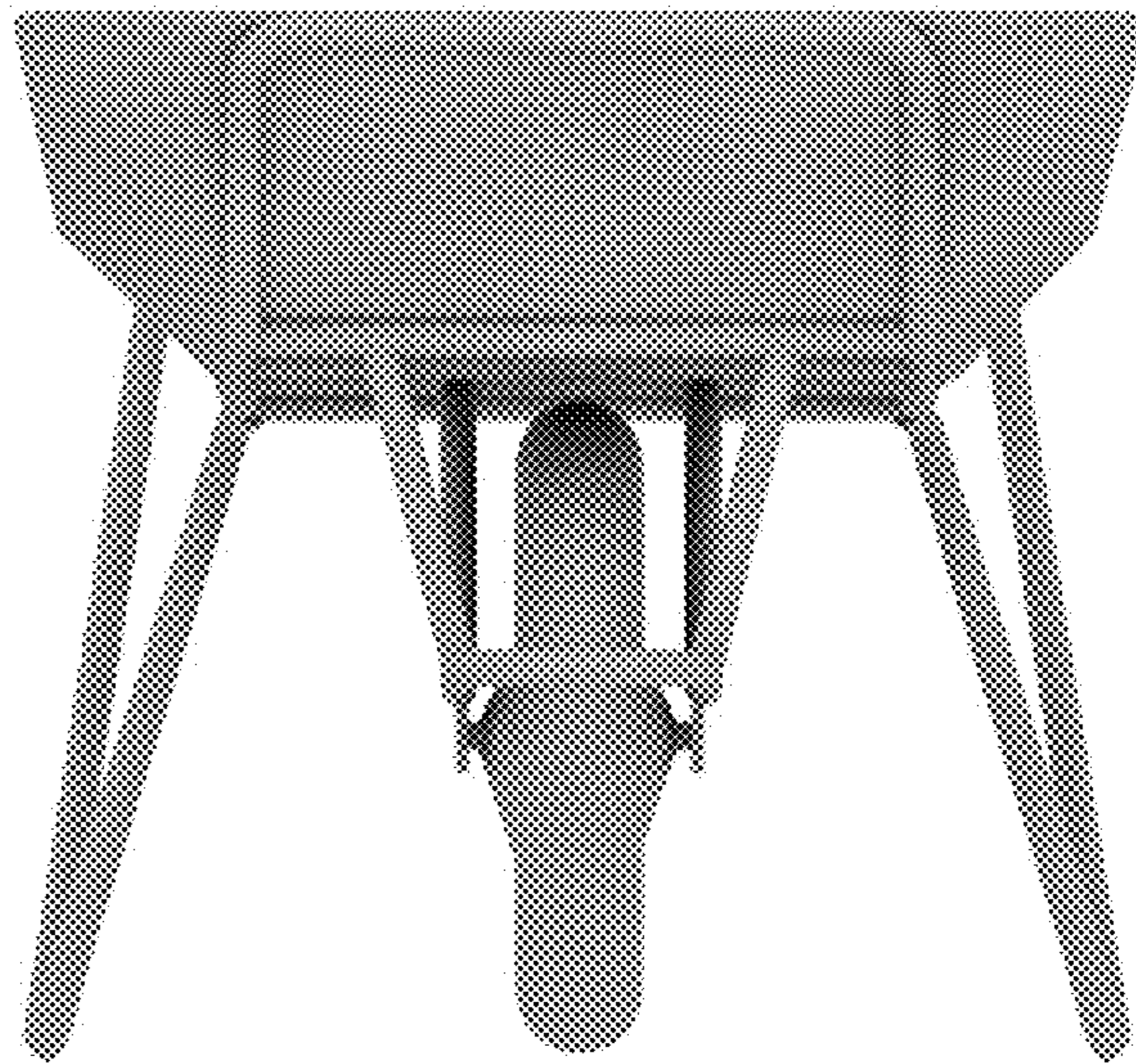
1.1



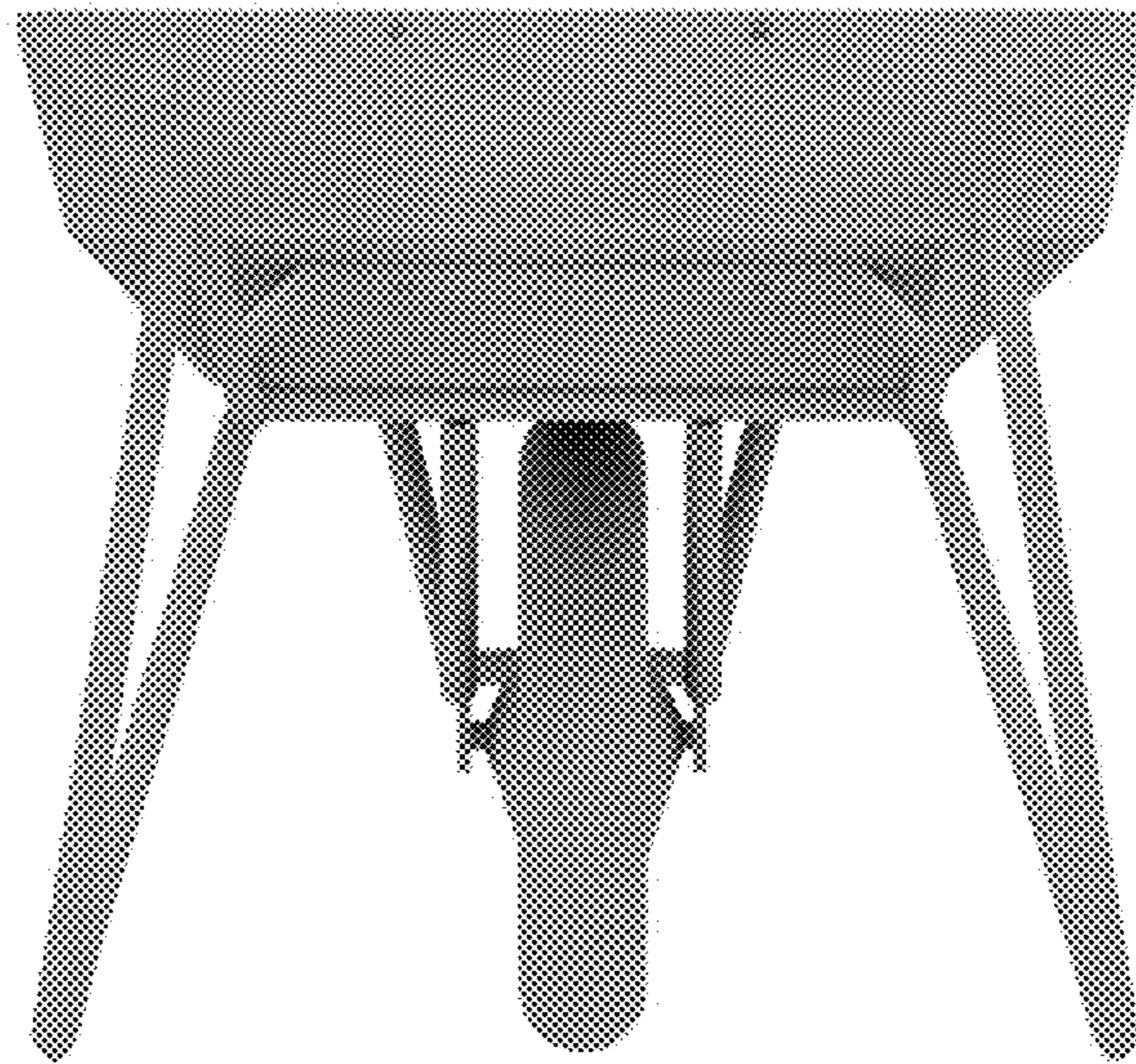
1.2



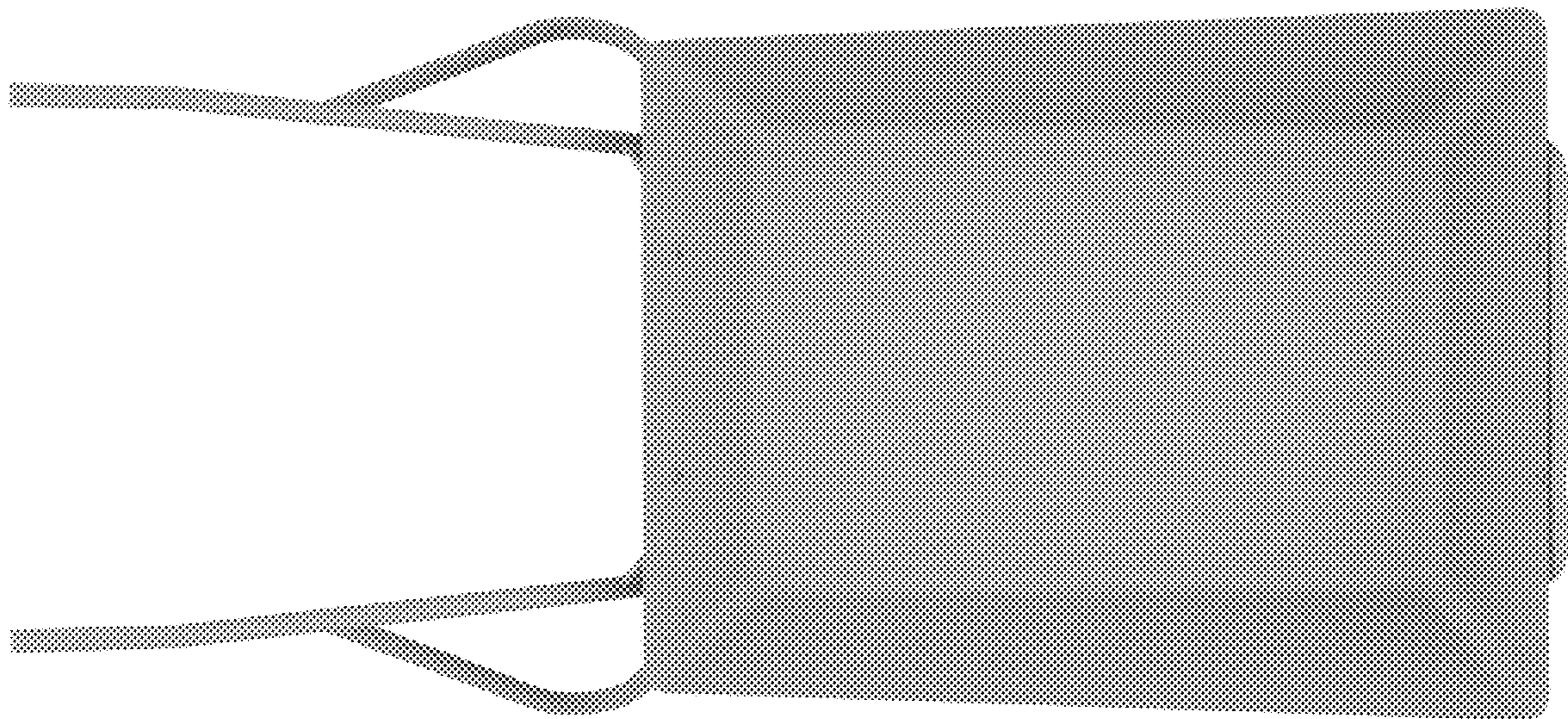
1.3



1.4



1.5



1.6

