



US00D970140S

(12) **United States Design Patent** (10) **Patent No.:** **US D970,140 S**
Touchet (45) **Date of Patent:** **** Nov. 15, 2022**

(54) **WHEELBARROW FRAME**
(71) Applicant: **Chad B. Touchet**, Pinehurst, TX (US)
(72) Inventor: **Chad B. Touchet**, Pinehurst, TX (US)
(**) Term: **15 Years**
(21) Appl. No.: **29/747,424**
(22) Filed: **Aug. 21, 2020**
(51) **LOC (13) Cl.** **12-02**
(52) **U.S. Cl.**
USPC **D34/16**
(58) **Field of Classification Search**
USPC D34/16, 27; 280/47.18, 47.31, 47.34
CPC B62B 1/18; B62B 2205/10
See application file for complete search history.

2008/0164668 A1* 7/2008 Feick B62B 1/20
280/47.31
2012/0326407 A1* 12/2012 Albert B62B 5/049
280/47.33
2014/0091540 A1* 4/2014 Frenkel B62B 1/18
280/47.31

* cited by examiner

Primary Examiner — Cynthia Ramirez
(74) *Attorney, Agent, or Firm* — Kearney, McWilliams & Davis, PLLC; Dileep P. Rao

(57) **CLAIM**

The ornamental design for a wheelbarrow frame, as shown and described.

DESCRIPTION

FIG. 1 is a top perspective view of a wheelbarrow frame showing our new design.
FIG. 2 is a bottom perspective view thereof.
FIG. 3 is a front view thereof.
FIG. 4 is a rear view thereof.
FIG. 5 is a left side view thereof.
FIG. 6 is a right side view thereof.
FIG. 7 is a top view thereof.
FIG. 8 is a bottom view thereof.
FIG. 9 is a top perspective view shown in condition of use.
FIG. 10 is a bottom perspective view thereof.
FIG. 11 is a top view thereof.
FIG. 12 is a side view shown in a further condition of use; and,
FIG. 13 is a top view thereof.

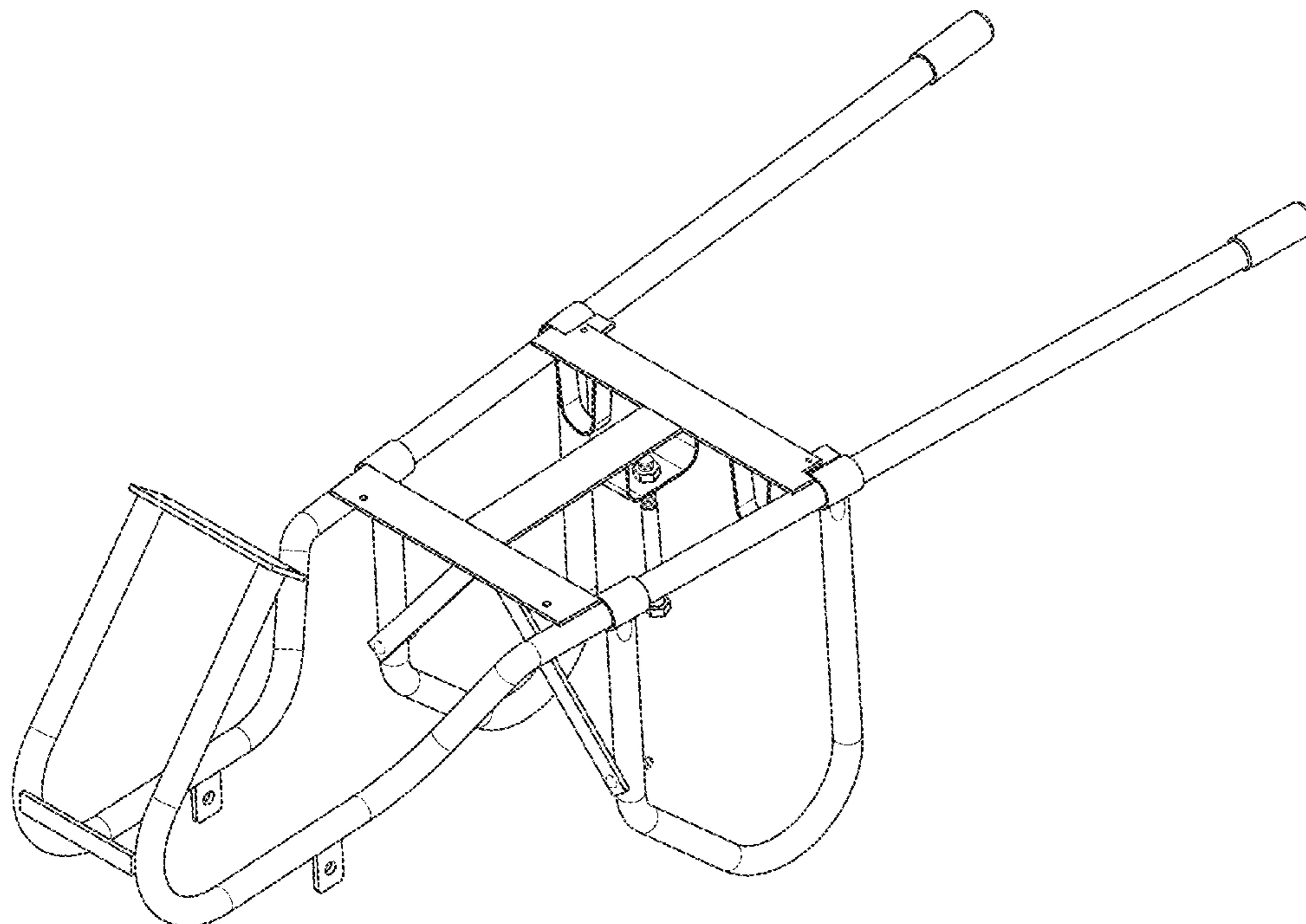
The broken lines in the drawings depict portions of the wheelbarrow frame that form no part of the claimed design. The wheels and bucket shown in broken lines show environment and form no part of the claimed design.

1 Claim, 10 Drawing Sheets

(56) **References Cited**

U.S. PATENT DOCUMENTS

D163,280 S * 5/1951 Harrison D34/16
5,372,376 A * 12/1994 Pharaoh B62B 1/206
298/3
5,924,708 A * 7/1999 Bisailon B62B 1/18
298/2
D461,613 S * 8/2002 Schaefer, III D34/16
D501,974 S * 2/2005 Lawson D34/27
D613,923 S * 4/2010 Ludlow D34/16
D646,040 S * 9/2011 Halsted D34/27
D809,732 S * 2/2018 Lee D34/27
2002/0163163 A1* 11/2002 Shapiro B62B 3/16
280/643
2007/0290467 A1* 12/2007 Gonzalez B62B 1/22
280/47.31



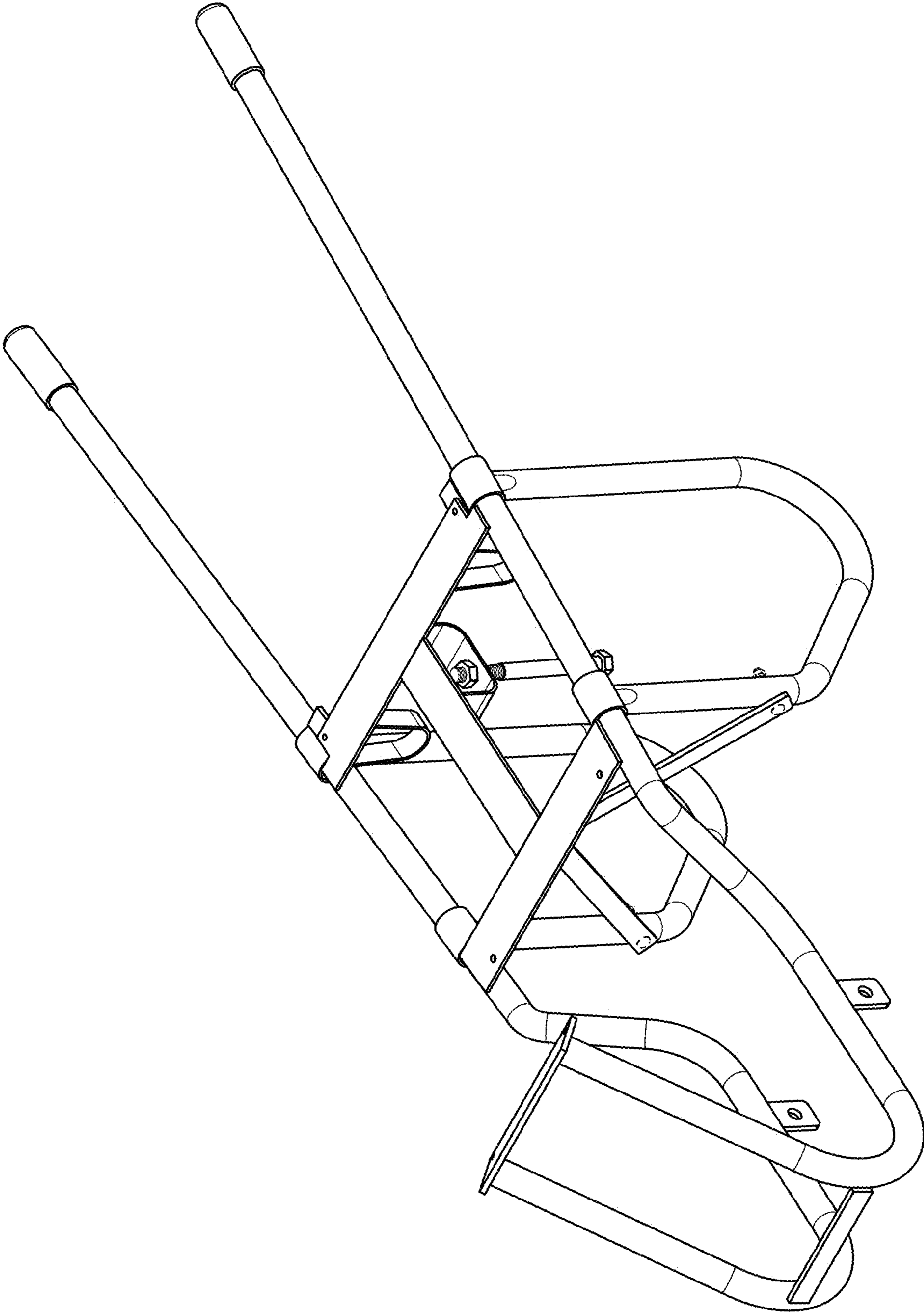


FIG. 1

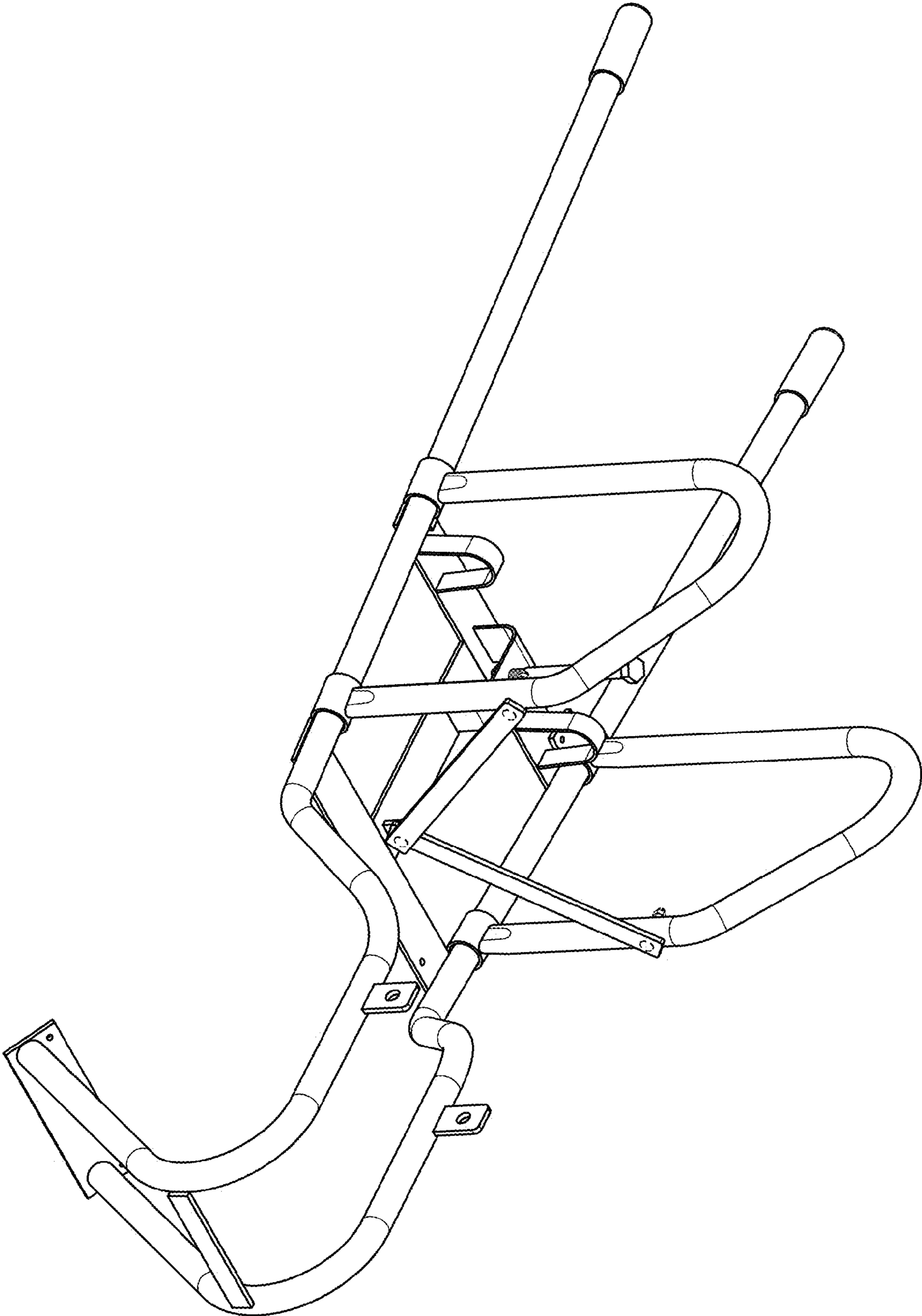


FIG. 2

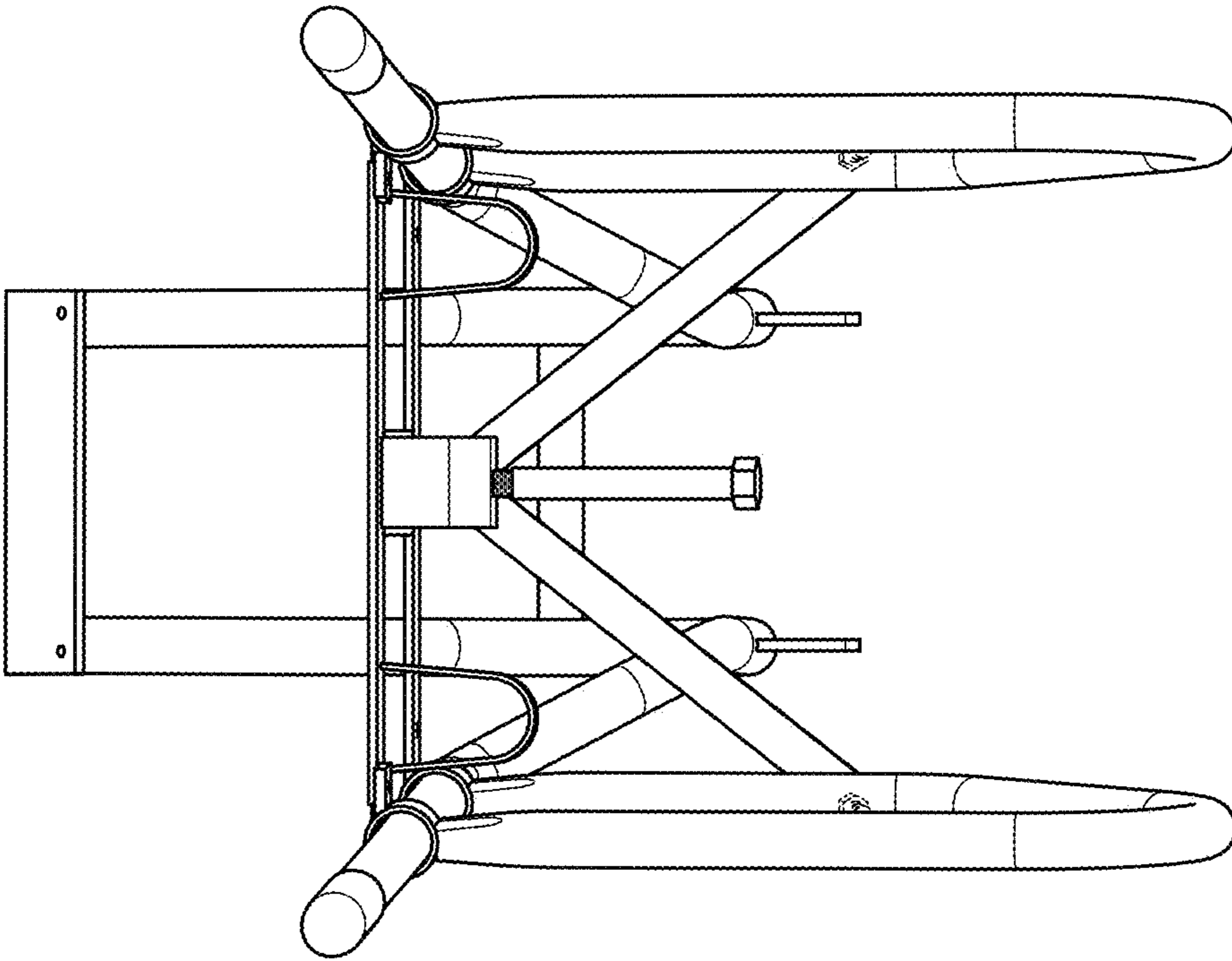


FIG. 4

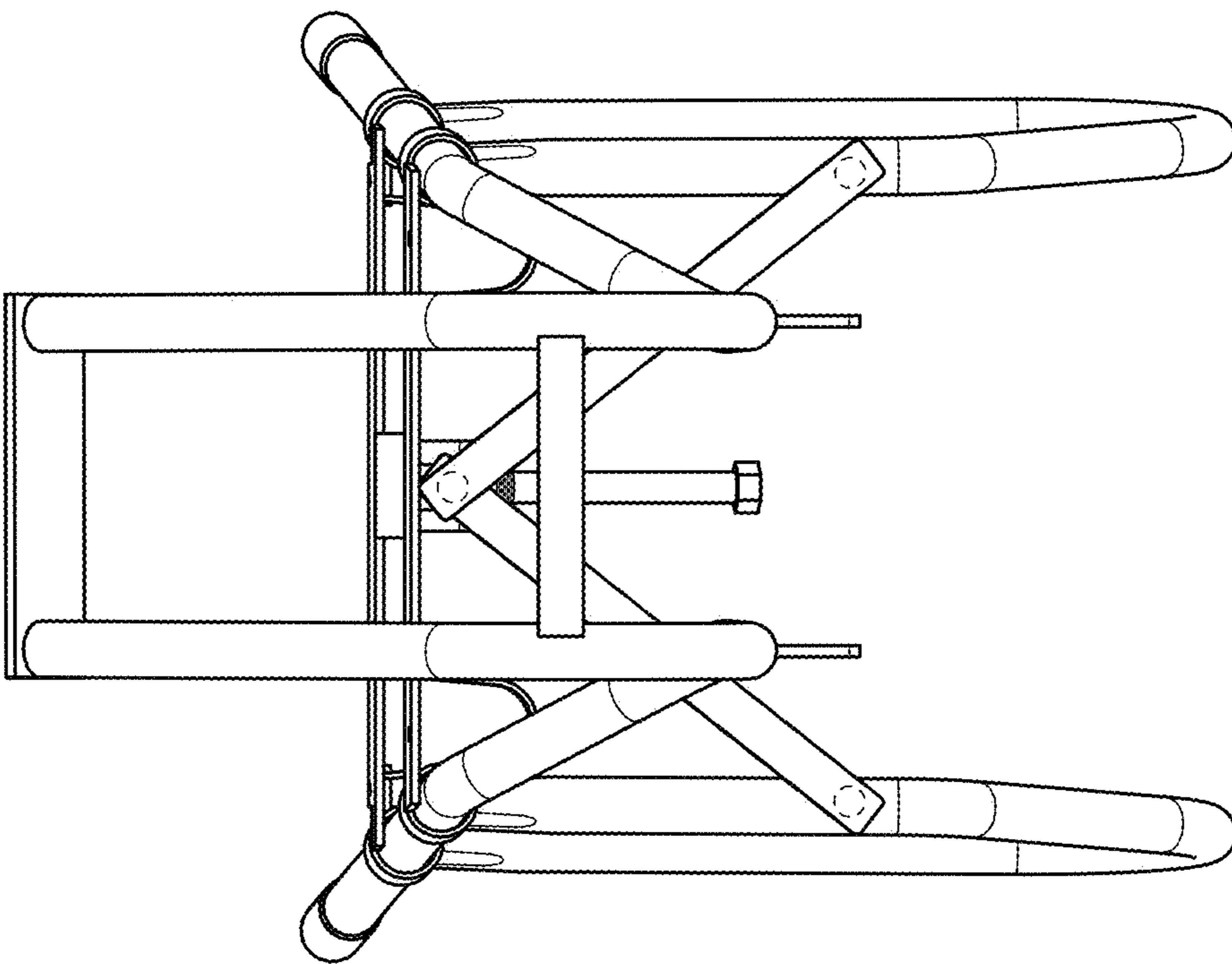


FIG. 3

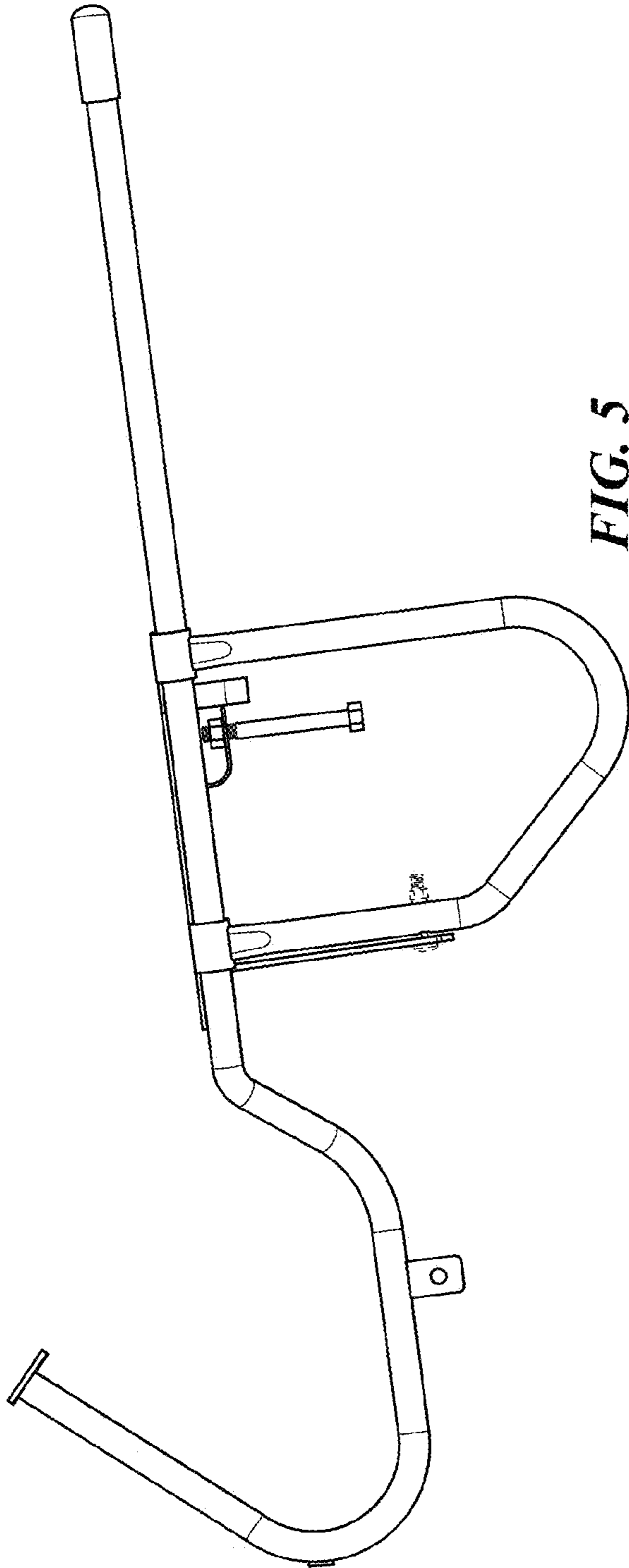


FIG. 5

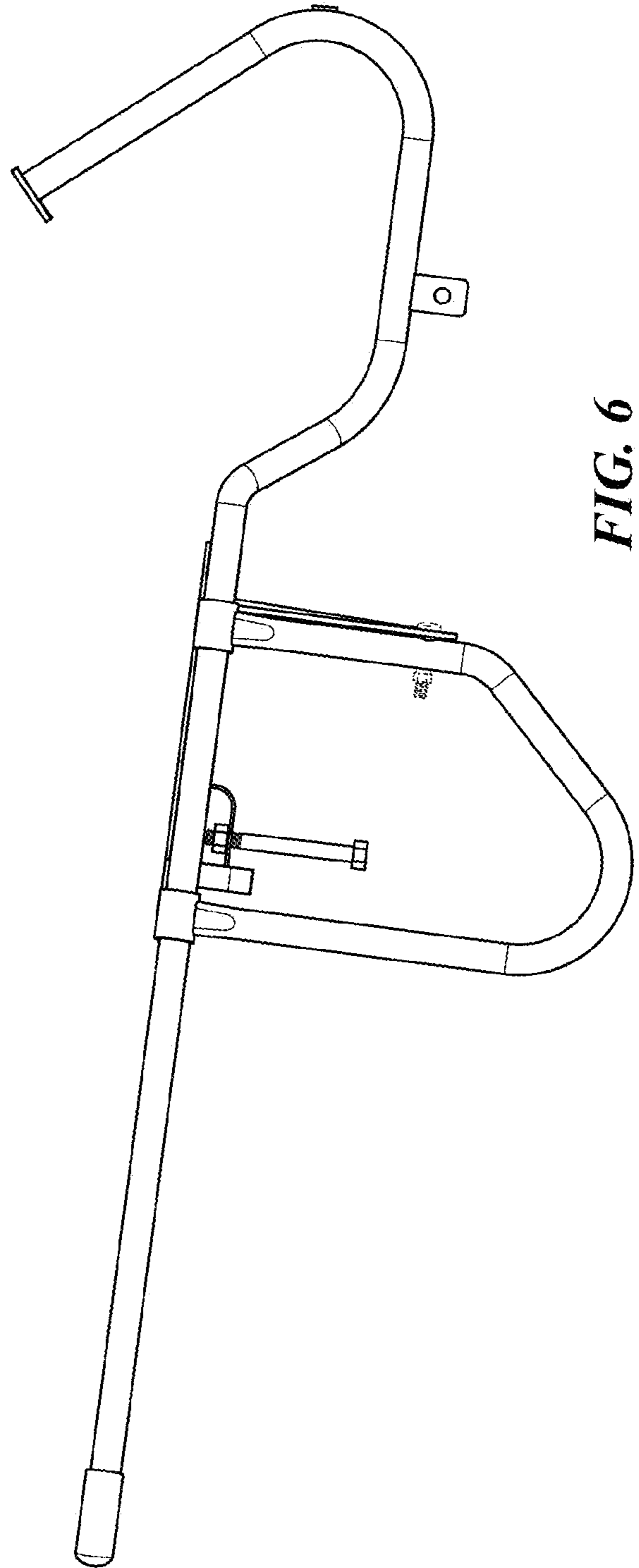


FIG. 6

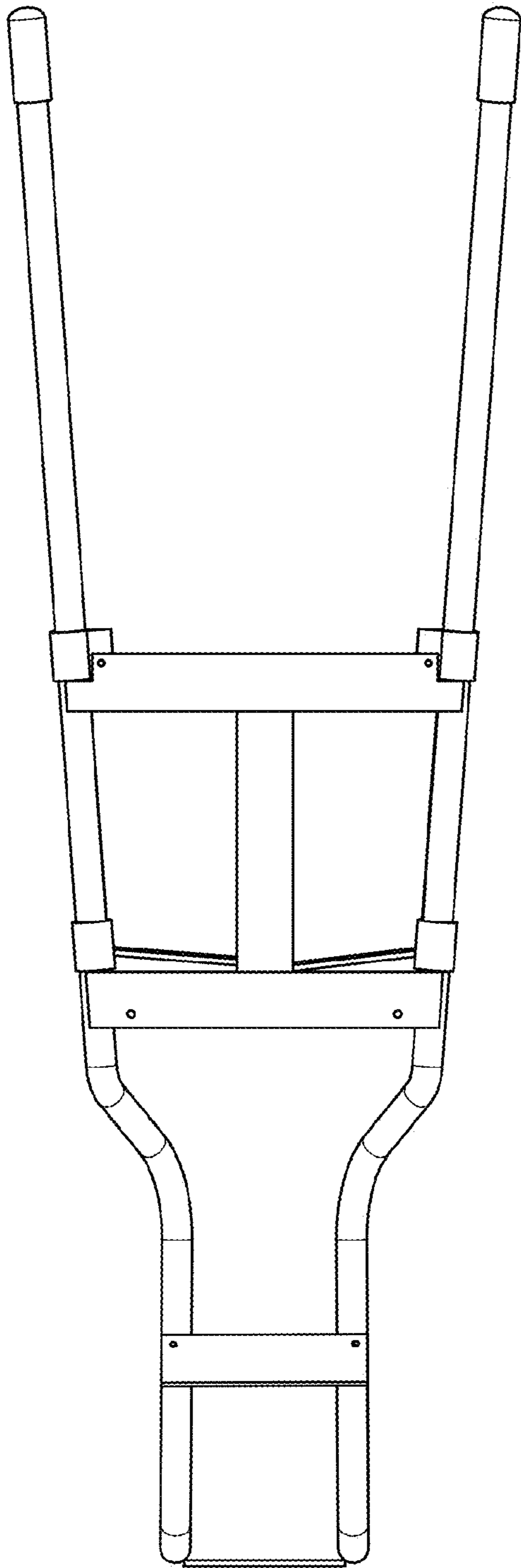


FIG. 7

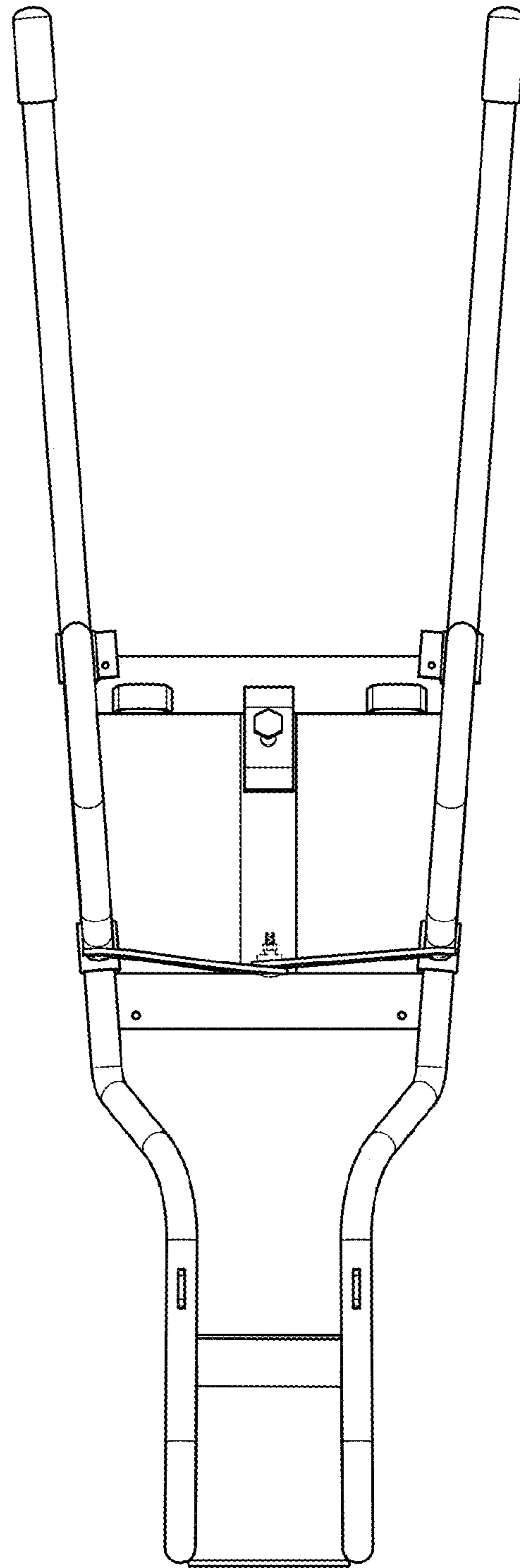


FIG. 8

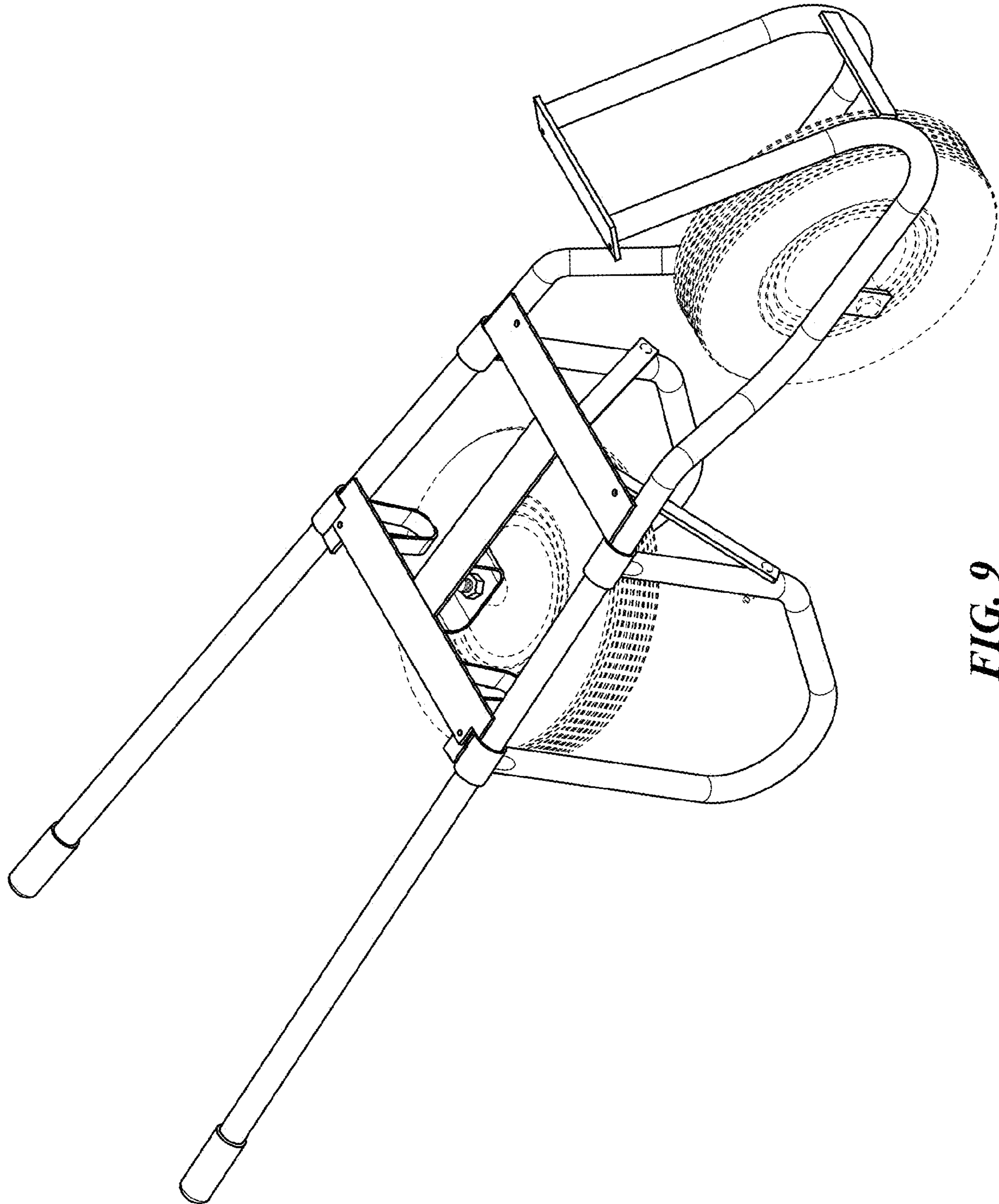


FIG. 9

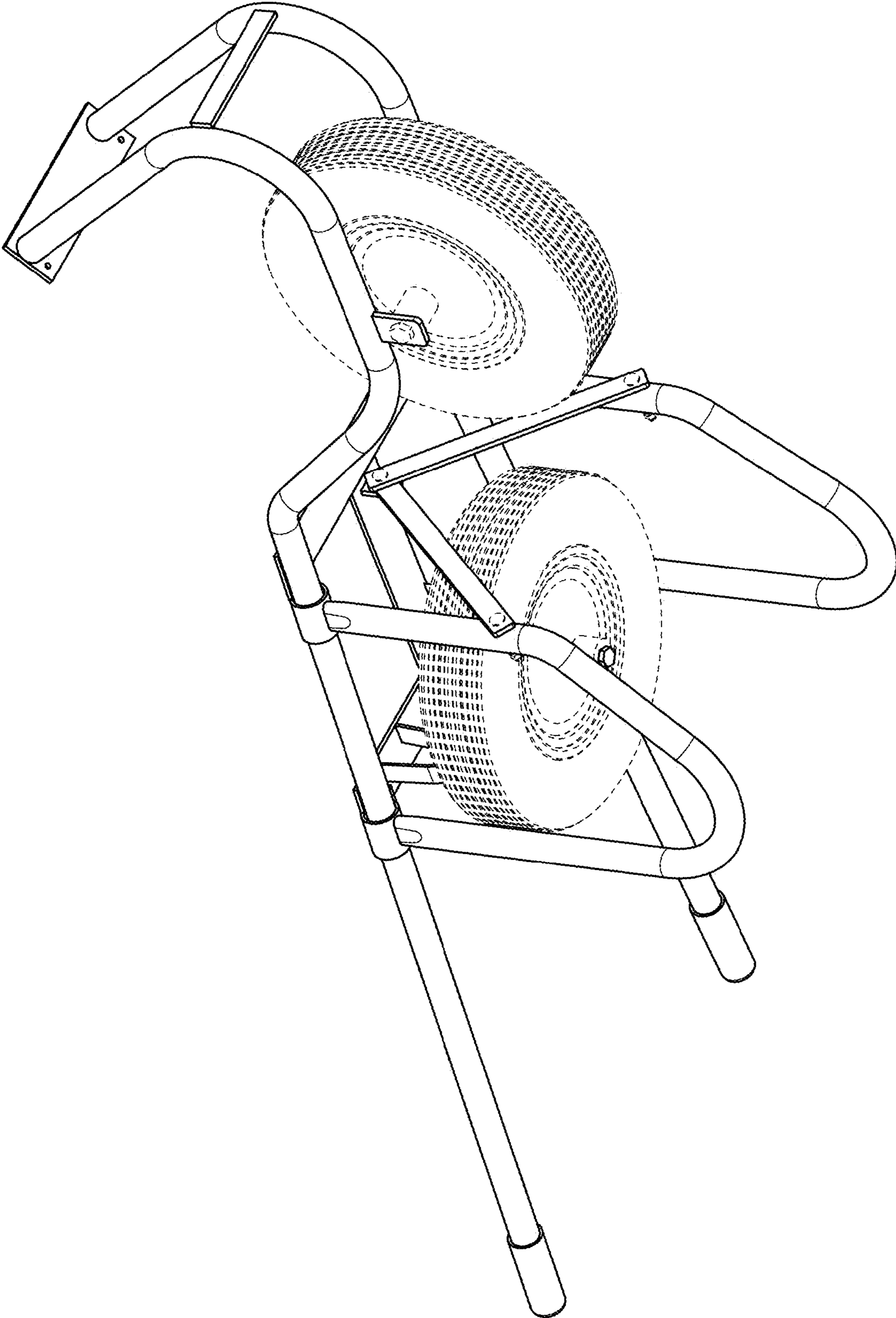


FIG. 10

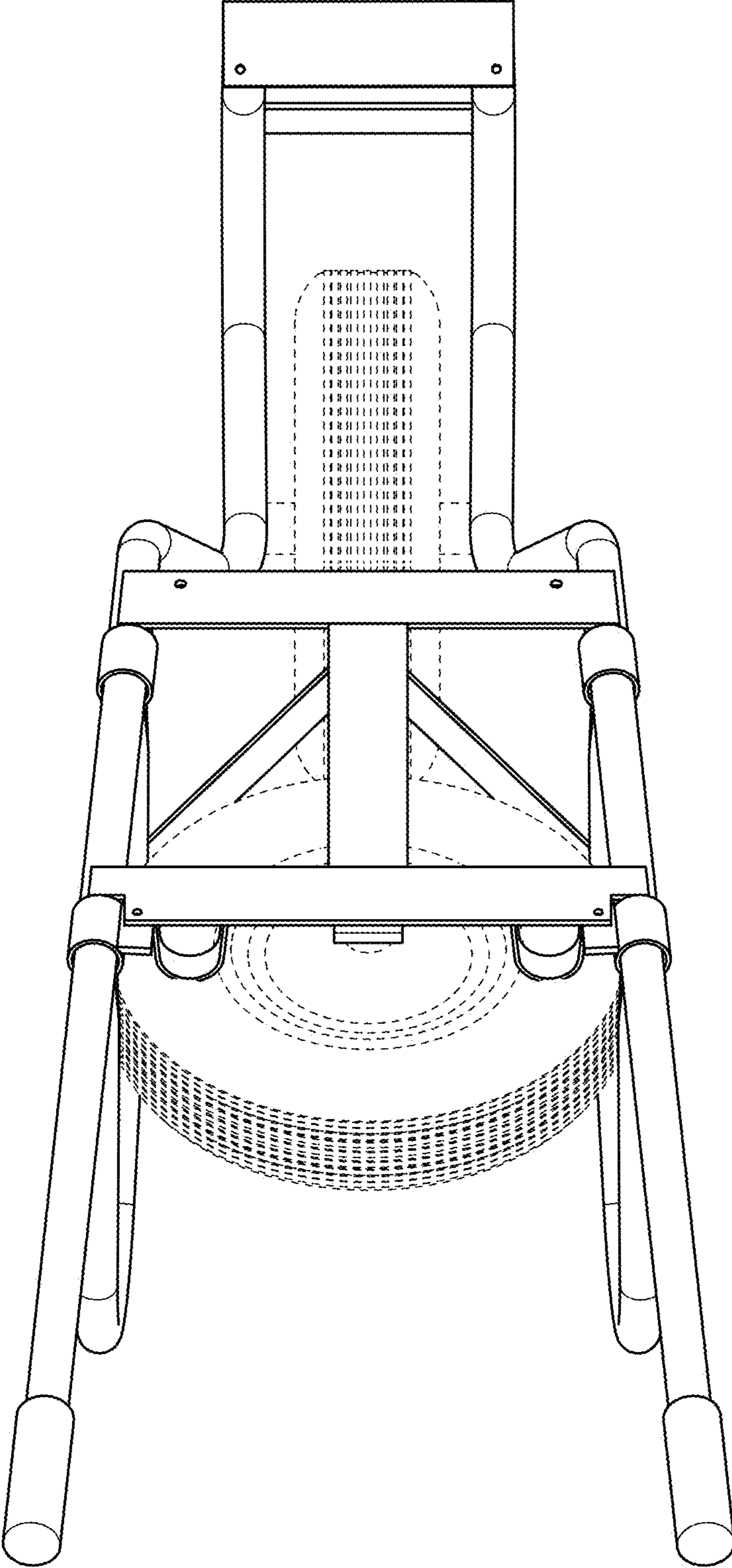


FIG. 11

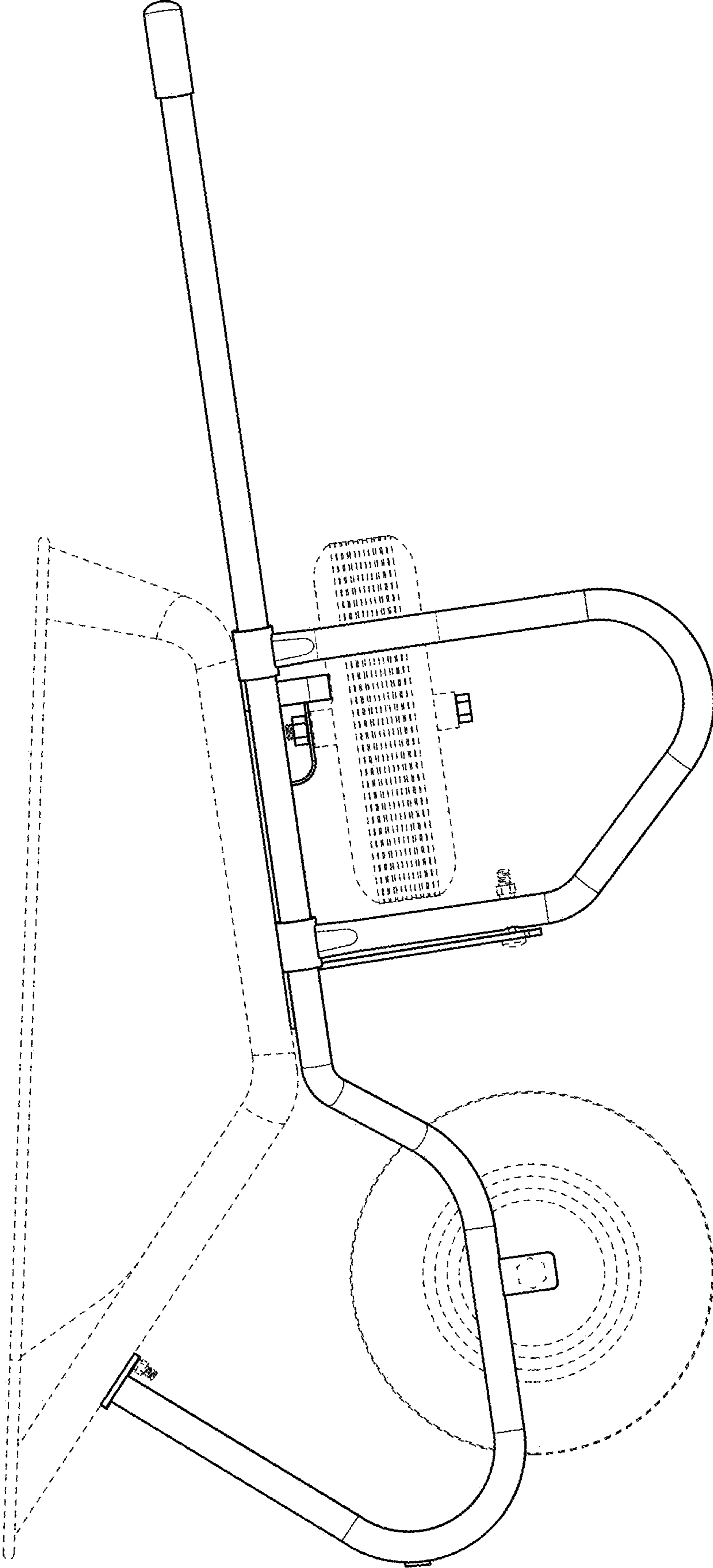


FIG. 12

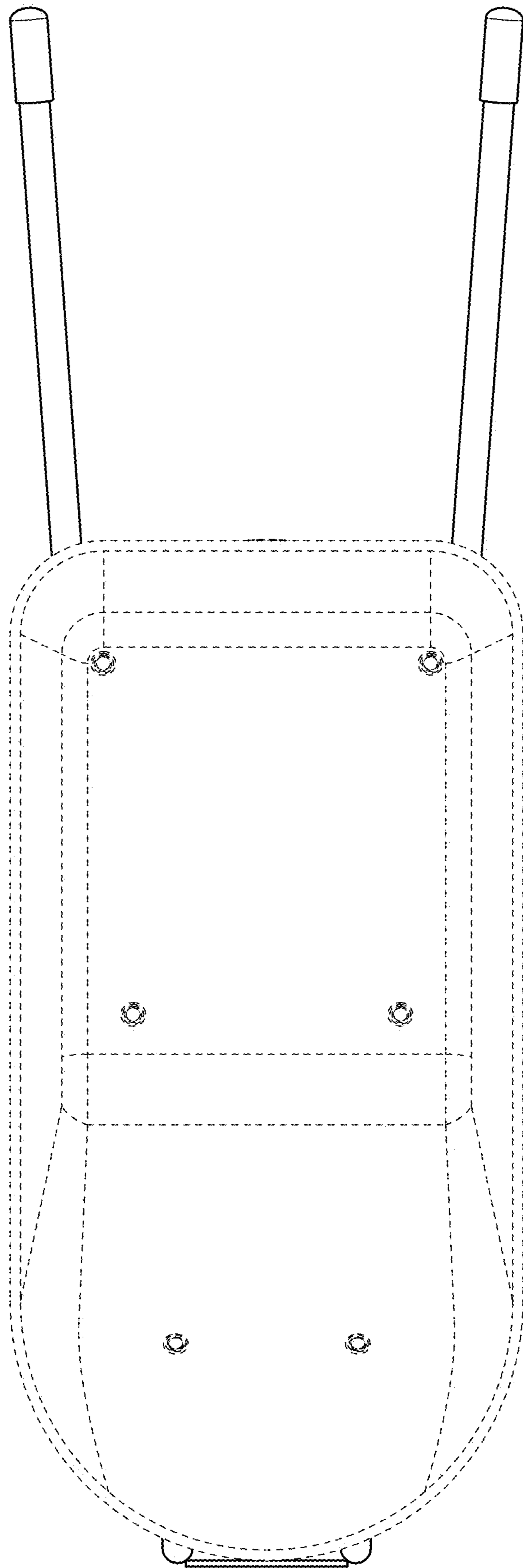


FIG. 13