



US00D970139S

(12) **United States Design Patent** (10) **Patent No.:** **US D970,139 S**
Tyroler (45) **Date of Patent:** **** Nov. 15, 2022**

(54) **BROOM**
(71) Applicant: **Tyroler Ltd.**, Neve Yamin (IL)
(72) Inventor: **Dan Tyroler**, Tel Aviv (IL)
(**) Term: **15 Years**
(21) Appl. No.: **35/512,365**
(22) Filed: **Jul. 26, 2021**

(80) **Hague Agreement Data**
Int. Filing Date: **Jul. 26, 2021**
Int. Reg. No.: **DM/215670**
Int. Reg. Date: **Jul. 26, 2021**
Int. Reg. Pub. Date: **Aug. 13, 2021**
(51) **LOC (13) Cl.** **07-05**
(52) **U.S. Cl.**
USPC **D32/50**
(58) **Field of Classification Search**
USPC D32/40-43, 50-52; D4/130, 132,
D4/134-135
CPC A46B 15/00; A46B 3/18
See application file for complete search history.

(56) **References Cited**
U.S. PATENT DOCUMENTS
D278,099 S * 3/1985 Evans D4/130
D285,736 S * 9/1986 Seely D32/51
D306,506 S * 3/1990 Houser D32/33
D307,517 S * 5/1990 Mallory D4/135
4,991,246 A * 2/1991 DeCicco A46B 17/08
D4/118
5,319,823 A * 6/1994 Baum A46B 15/00
15/176.3
D368,346 S * 3/1996 Kiefer D32/50
D373,024 S * 8/1996 Shepherd D4/132
D375,409 S * 11/1996 Uranga D32/51

D511,046 S * 11/2005 Berti D4/199
D585,614 S * 1/2009 Enyuva D32/50
D648,498 S * 11/2011 Rossano D32/33
D826,499 S * 8/2018 Larouche D32/50
D897,690 S * 10/2020 Carrière D4/135
2002/0124341 A1* 9/2002 Cesak A46B 7/04
15/176.3
2011/0308025 A1* 12/2011 Vosbikian A46B 7/042
15/115
2020/0281435 A1* 9/2020 Ting A47L 13/20

FOREIGN PATENT DOCUMENTS

WO D215670-001 * 7/2021

OTHER PUBLICATIONS

Tyroler broom video date Jul. 7, 2019, site visited Aug. 8, 2022,
Tyroler | 2-in-1 Rubber Broom—YouTube.*

* cited by examiner

Primary Examiner — John R Yeh

(57) **CLAIM**

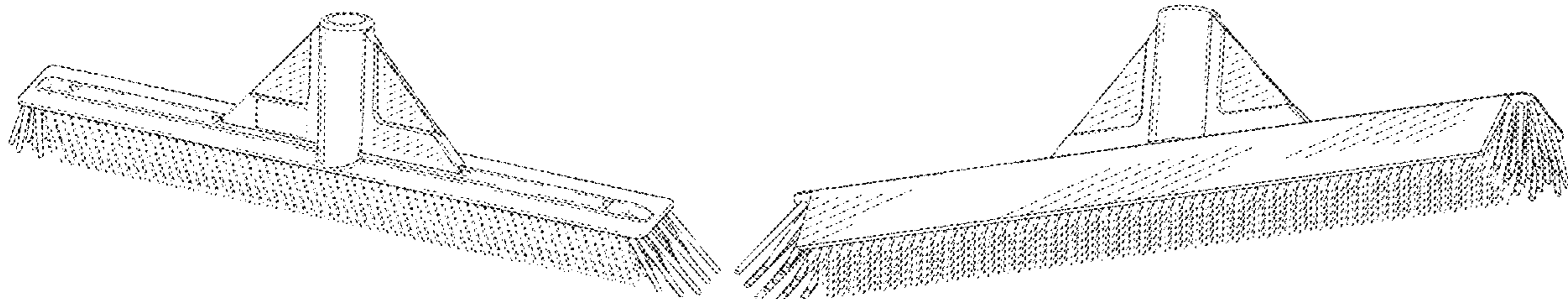
The ornamental design for a broom, as shown and described.

DESCRIPTION

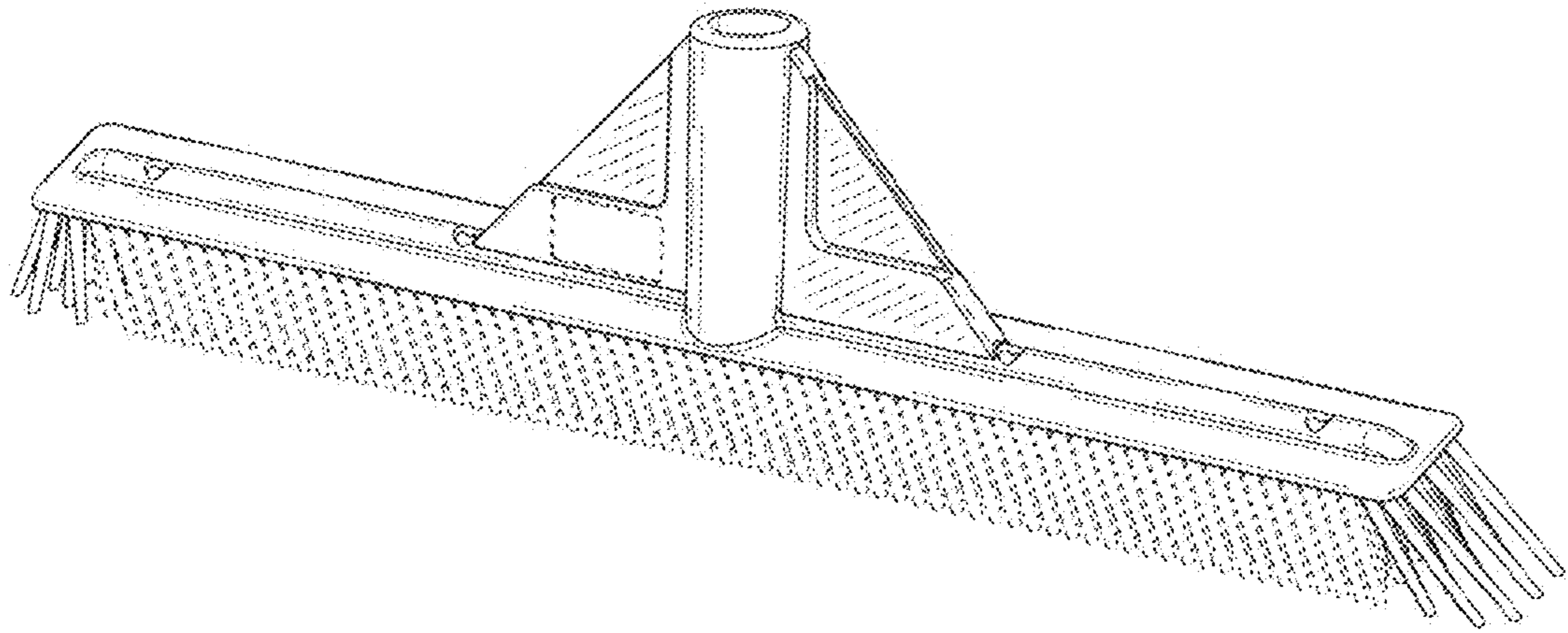
- 1. Broom
- 1.1 : Isometric (front, top, right) view
- 1.2 : Isometric (back, bottom, left) view
- 1.3 : Front
- 1.4 : Back
- 1.5 : Left
- 1.6 : Top
- 1.7 : Bottom

The right-side view is omitted because it is a mirror view of the left side view; the features shown in dashed lines form no part of the claimed design.

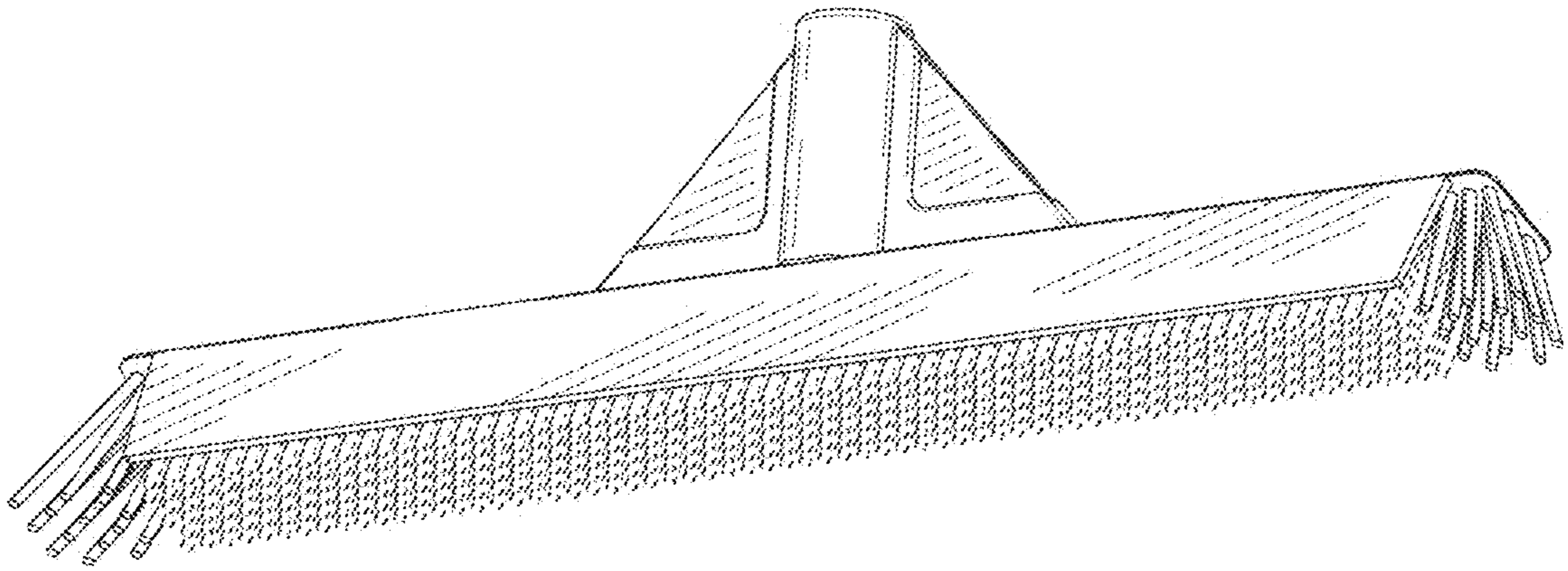
1 Claim, 7 Drawing Sheets



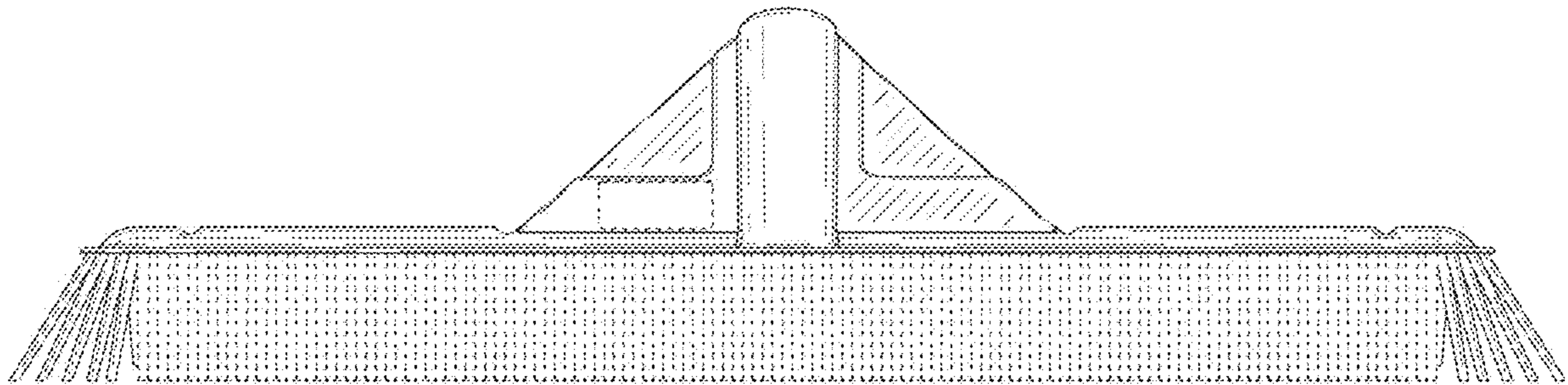
1.1



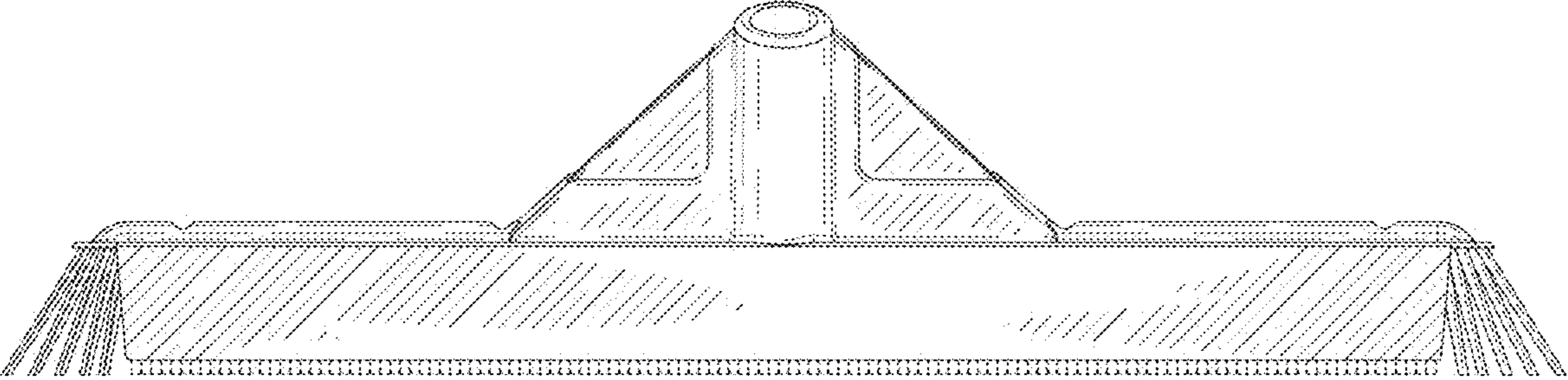
1.2



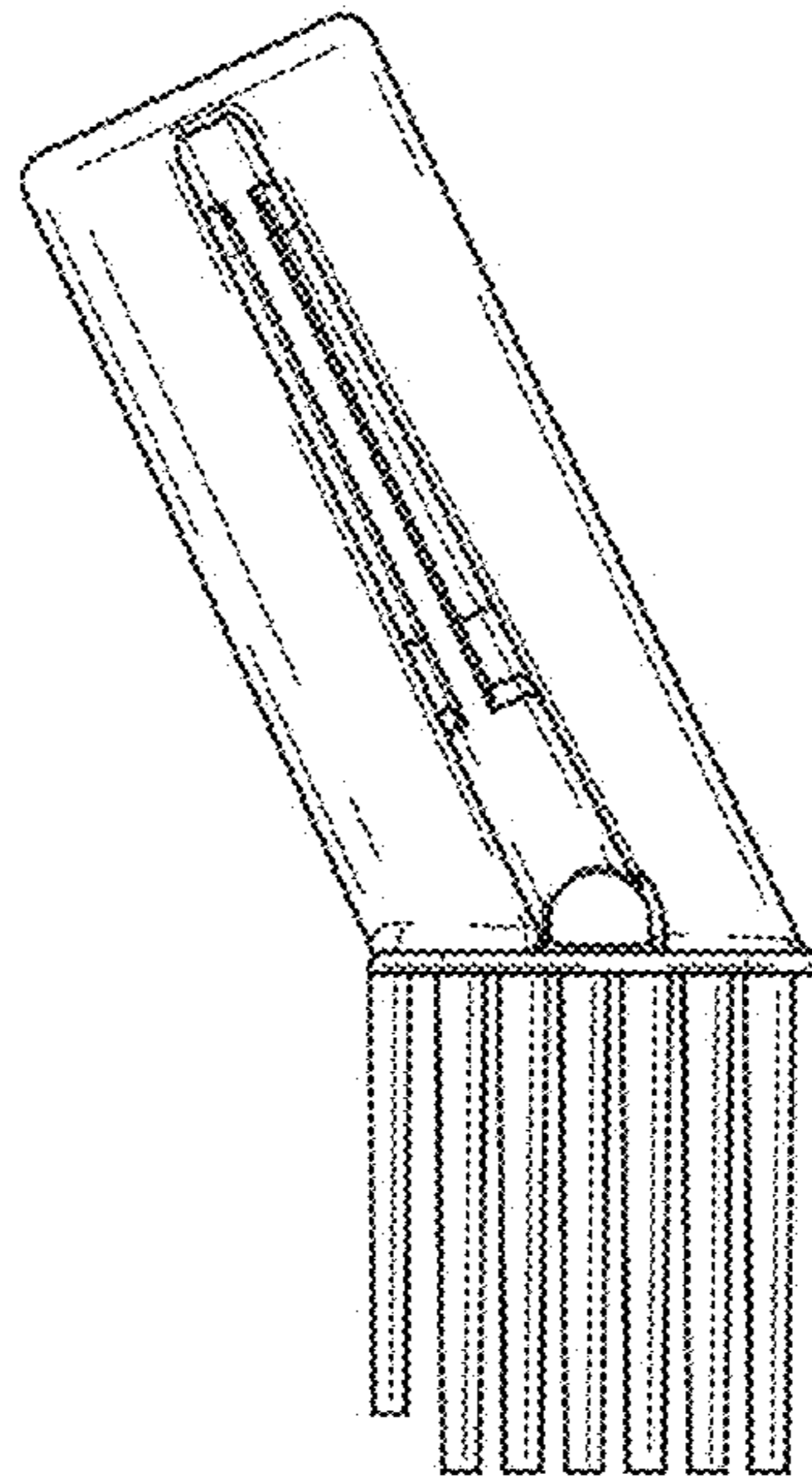
1.3



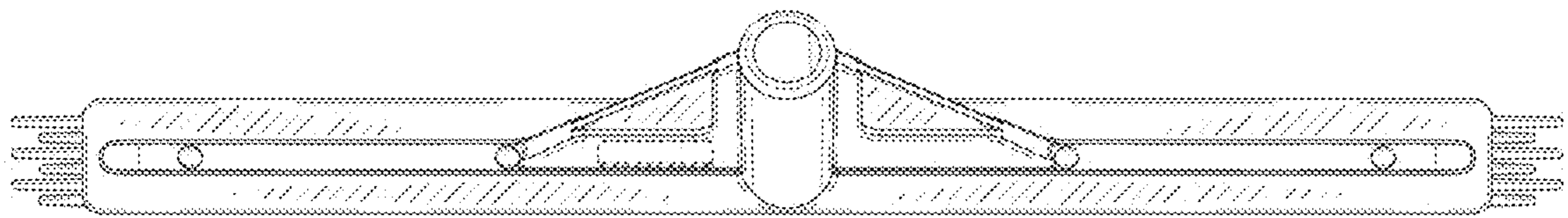
1.4



1.5



1.6



1.7

