



US00D970135S

(12) **United States Design Patent** (10) **Patent No.:** **US D970,135 S**  
**Bally** (45) **Date of Patent:** **\*\* Nov. 15, 2022**

(54) **HOLDER WITH FLEXIBLE RECEIVER FOR HOLDING A CLEANING SUBSTRATE**

(71) Applicant: **CLEANWING LLC**, Wichita, KS (US)

(72) Inventor: **Austin Michael Bally**, Wichita, KS (US)

(73) Assignee: **CleanWing LLC**, Wichita, KS (US)

(\*\*) Term: **15 Years**

(21) Appl. No.: **29/739,917**

(22) Filed: **Jun. 30, 2020**

(51) **LOC (13) Cl.** ..... **15-05**

(52) **U.S. Cl.**  
USPC ..... **D32/34**

(58) **Field of Classification Search**  
USPC ..... D7/678; D8/14, 90; D32/24, 35, 40-43, D32/52, 69, 72  
CPC ..... A47L 1/02; A47L 1/04; A47L 1/06; A47L 11/38; A47L 11/45; A47L 11/90  
See application file for complete search history.

(56) **References Cited**

**U.S. PATENT DOCUMENTS**

1,509,807	A *	9/1924	Gray	.....	E04F 21/06 15/235.4
1,825,080	A *	9/1931	Morford	.....	E04F 21/06 15/235.4
3,010,133	A *	11/1961	Hurd	.....	E04F 21/06 15/235.4
D216,668	S *	3/1970	Tims	.....	D8/45
D228,339	S *	9/1973	Zemke	.....	D7/394
4,071,983	A *	2/1978	Thielen	.....	A47L 13/46 15/229.13
D269,387	S *	6/1983	McClelland	.....	D32/52
D310,012	S *	8/1990	Henke	.....	D8/90
D392,079	S *	3/1998	Omerza	.....	D32/40

D437,691	S *	2/2001	Weiss	.....	D4/129
D453,672	S *	2/2002	McCoy	.....	D8/90
D462,597	S *	9/2002	Deshler	.....	D8/90
D474,389	S *	5/2003	Panfil	.....	D8/90
D504,601	S *	5/2005	Jimenez	.....	D8/45
D505,268	S *	5/2005	Potempa	.....	D4/138

(Continued)

**OTHER PUBLICATIONS**

flyingcleanwing.com Cleanwing scrubber flight crew kit <https://flycleanwing.com/collections/cleanwing-products/products/cleanwing-scrubber-buddy-pack> (Year: 2022).\*

*Primary Examiner* — Kevin K Rudzinski

*Assistant Examiner* — Richard E Yenchesky

(74) *Attorney, Agent, or Firm* — Avek IP, LLC

(57) **CLAIM**

The ornamental design for a holder with flexible receiver for retaining a cleaning substrate, as shown and described.

**DESCRIPTION**

FIG. 1 is an isometric view of the holder with flexible receiver for retaining a cleaning substrate in a first configuration.

FIG. 2 is a side view of the holder with flexible receiver for retaining a cleaning substrate of FIG. 1.

FIG. 3 is an opposite side view of the holder with flexible receiver for retaining a cleaning substrate of FIG. 1.

FIG. 4 is a front view of the holder with flexible receiver for retaining a cleaning substrate of FIG. 1.

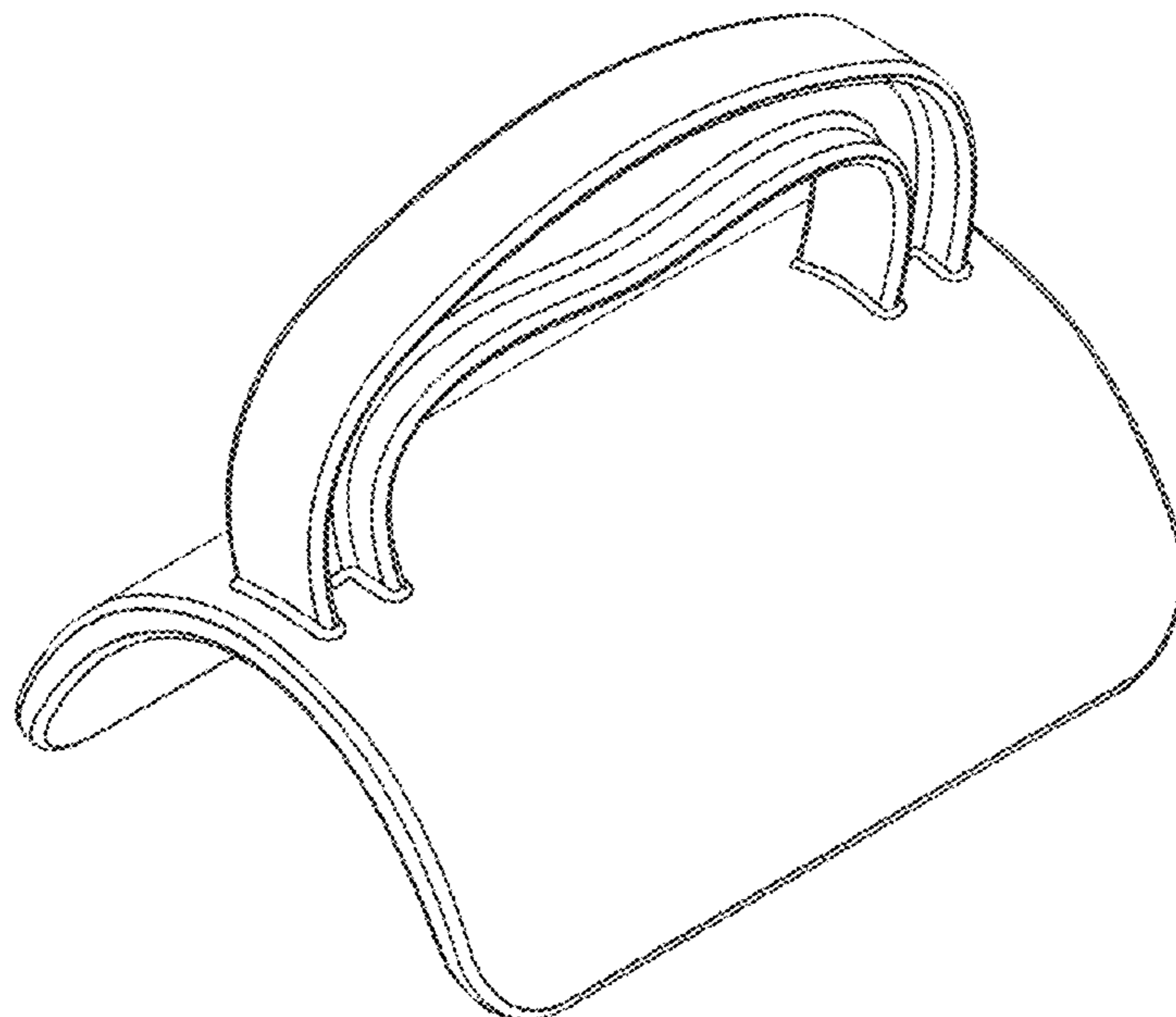
FIG. 5 is a rear view of the holder with flexible receiver for retaining a cleaning substrate of FIG. 1.

FIG. 6 is a top view of the holder with flexible receiver for retaining a cleaning substrate of FIG. 1.

FIG. 7 is a bottom view of the holder with flexible receiver for retaining a cleaning substrate of FIG. 1; and,

FIG. 8 is a side view of the holder with flexible receiver for retaining a cleaning substrate in a second configuration.

**1 Claim, 8 Drawing Sheets**



(56)

**References Cited**

U.S. PATENT DOCUMENTS

D508,952 S *	8/2005	Brown .....	D32/52
D620,215 S *	7/2010	Peng .....	D4/137
D665,638 S *	8/2012	Krohmer .....	D8/14
D690,115 S *	9/2013	Zemel .....	D4/138
D804,921 S *	12/2017	Neubauer .....	D8/14
D841,914 S *	2/2019	Cira .....	D32/42
D841,915 S *	2/2019	Cira .....	D32/42
D841,916 S *	2/2019	Cira .....	D32/42
D914,474 S *	3/2021	Hall .....	D8/14
D920,753 S *	6/2021	Liao .....	D8/14
2022/0007903 A1 *	1/2022	Chao .....	A47L 11/38

\* cited by examiner

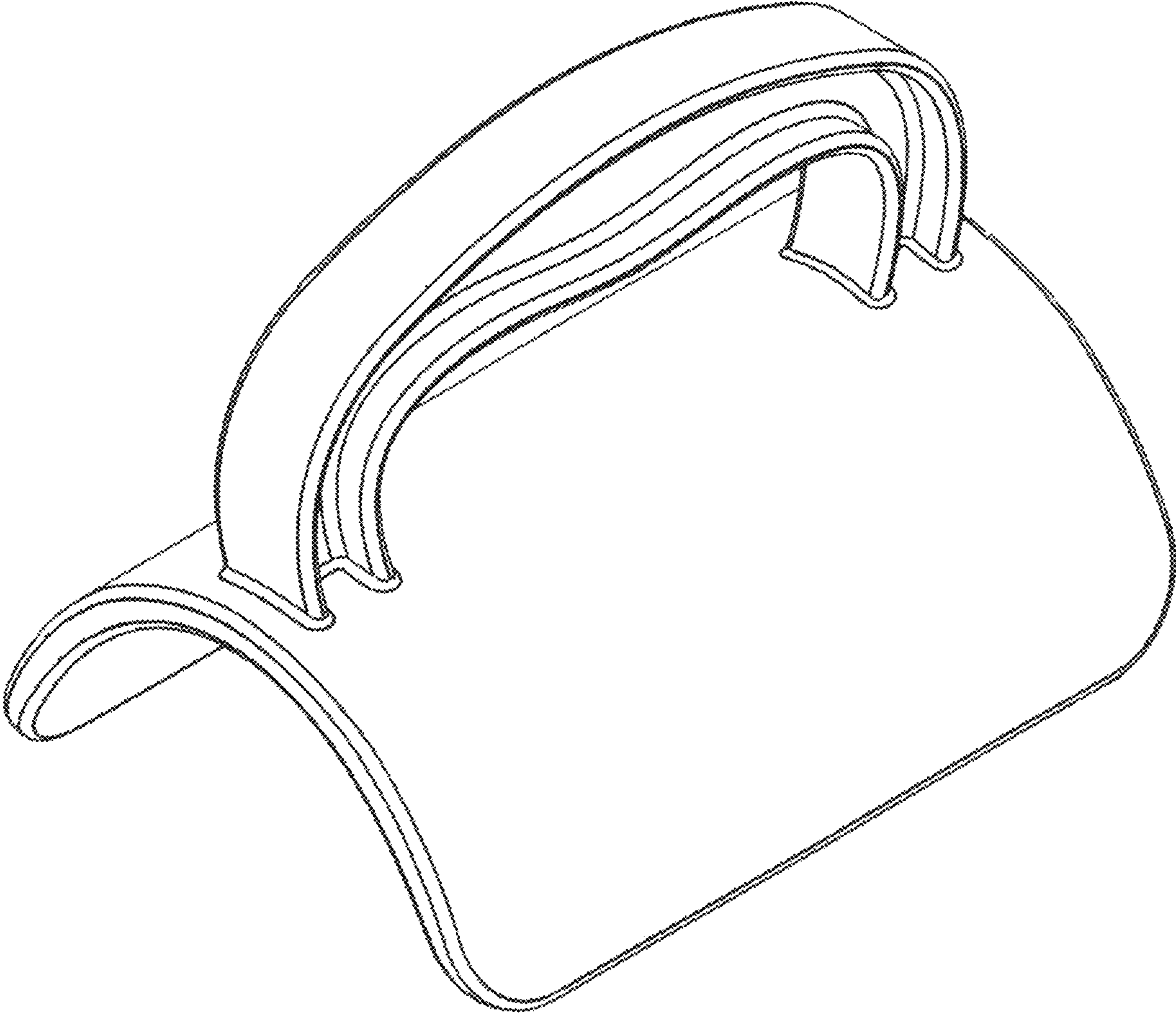


FIG. 1

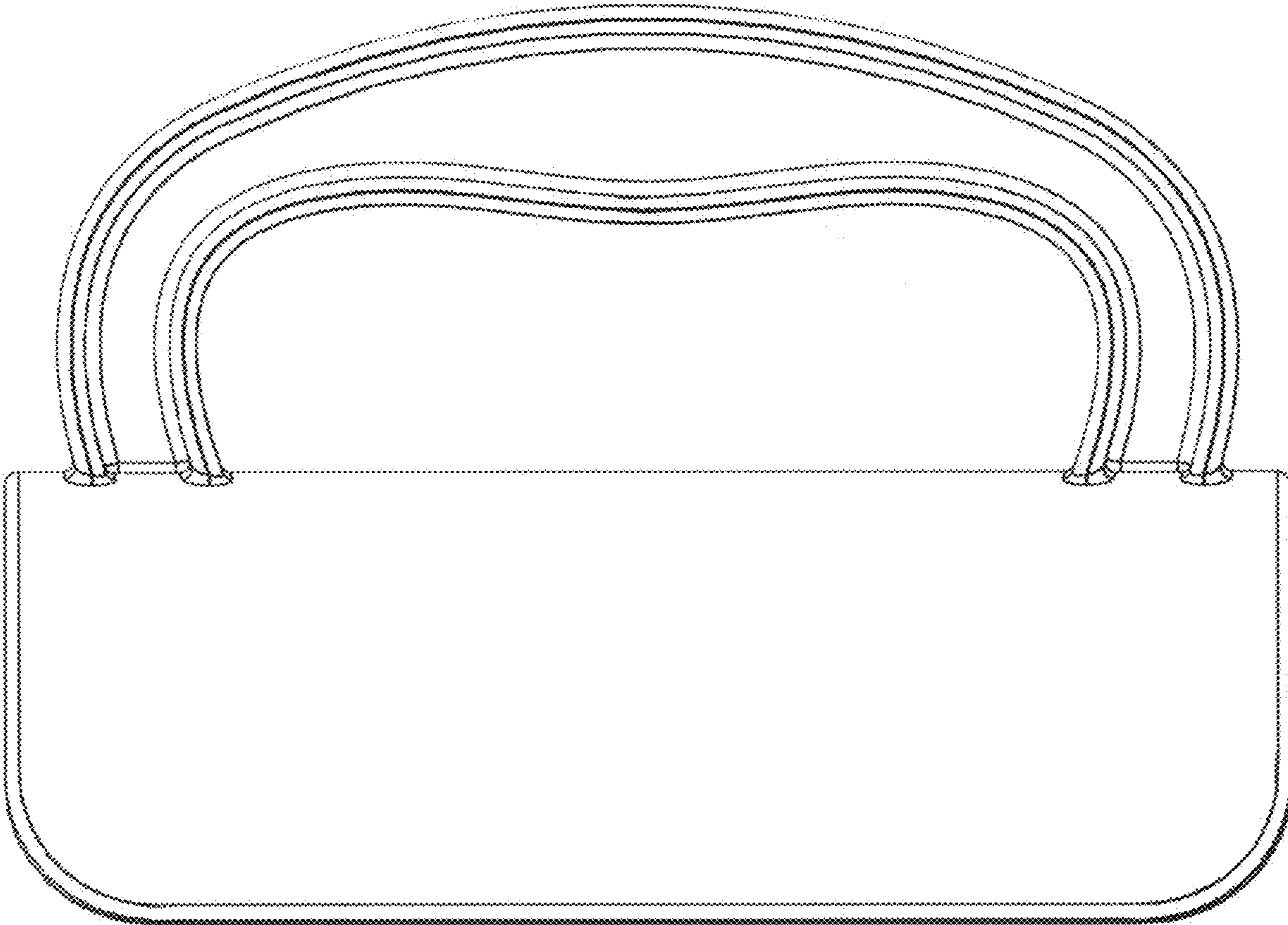


FIG. 2

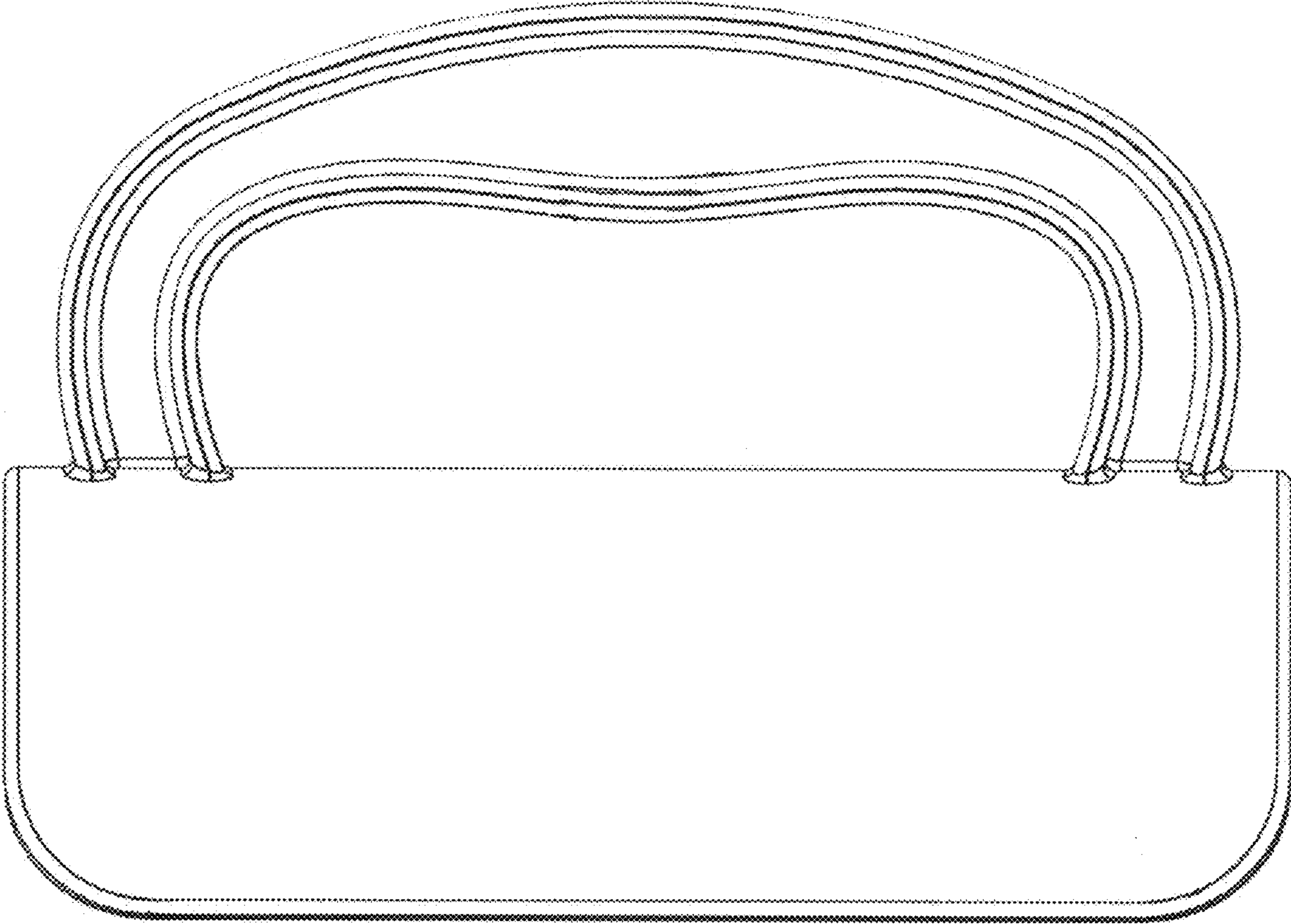


FIG. 3

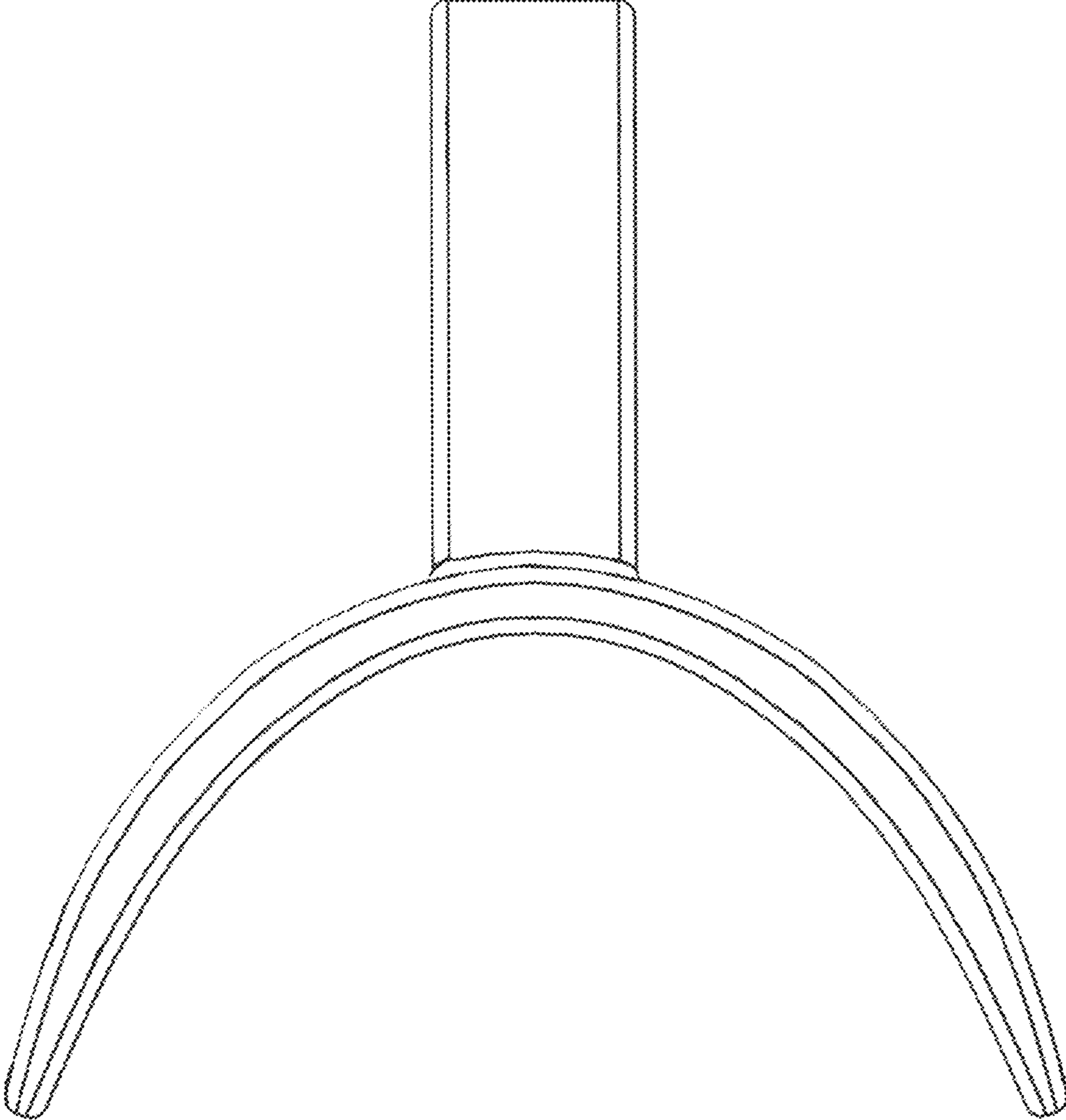


FIG. 4

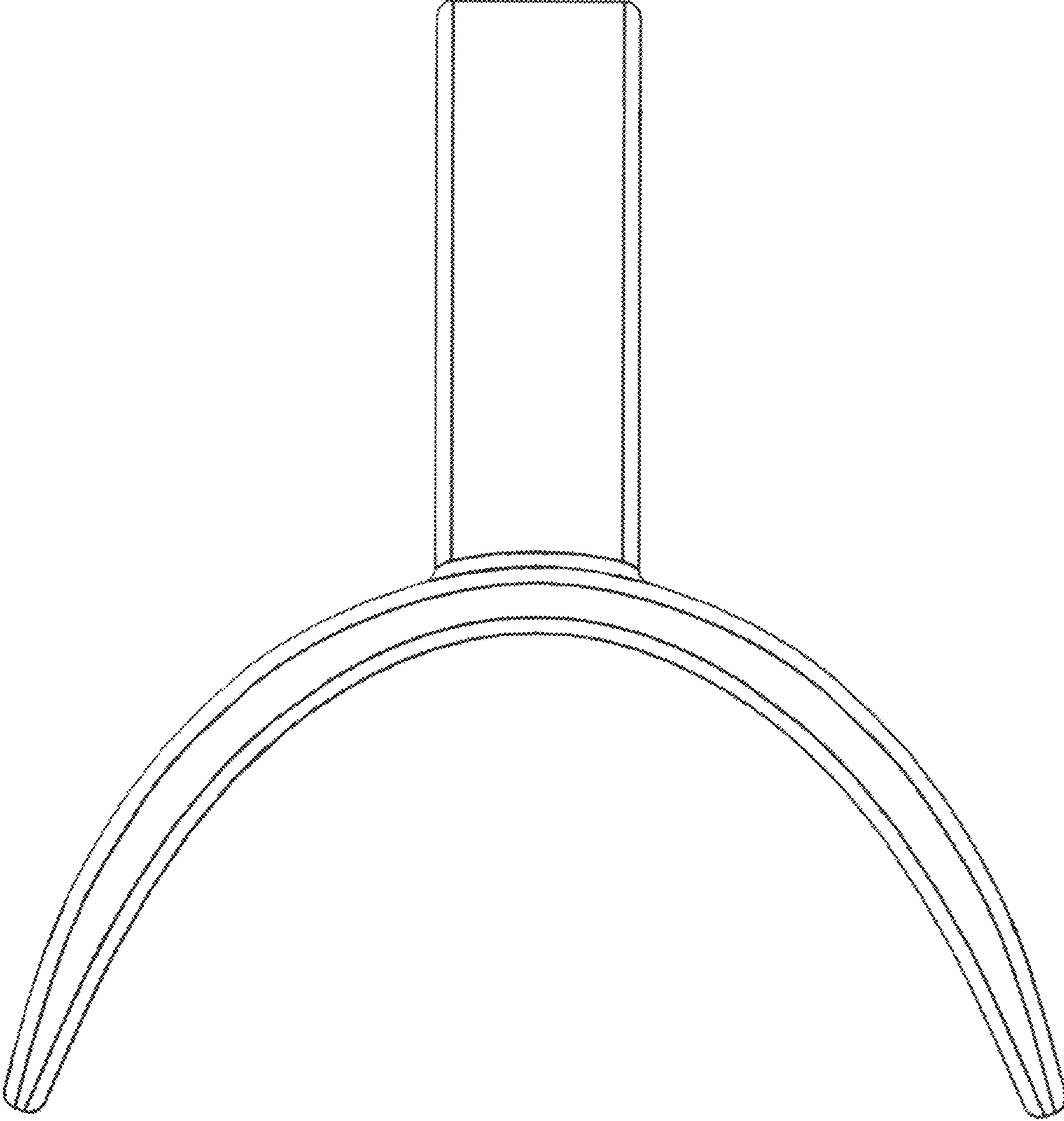


FIG. 5

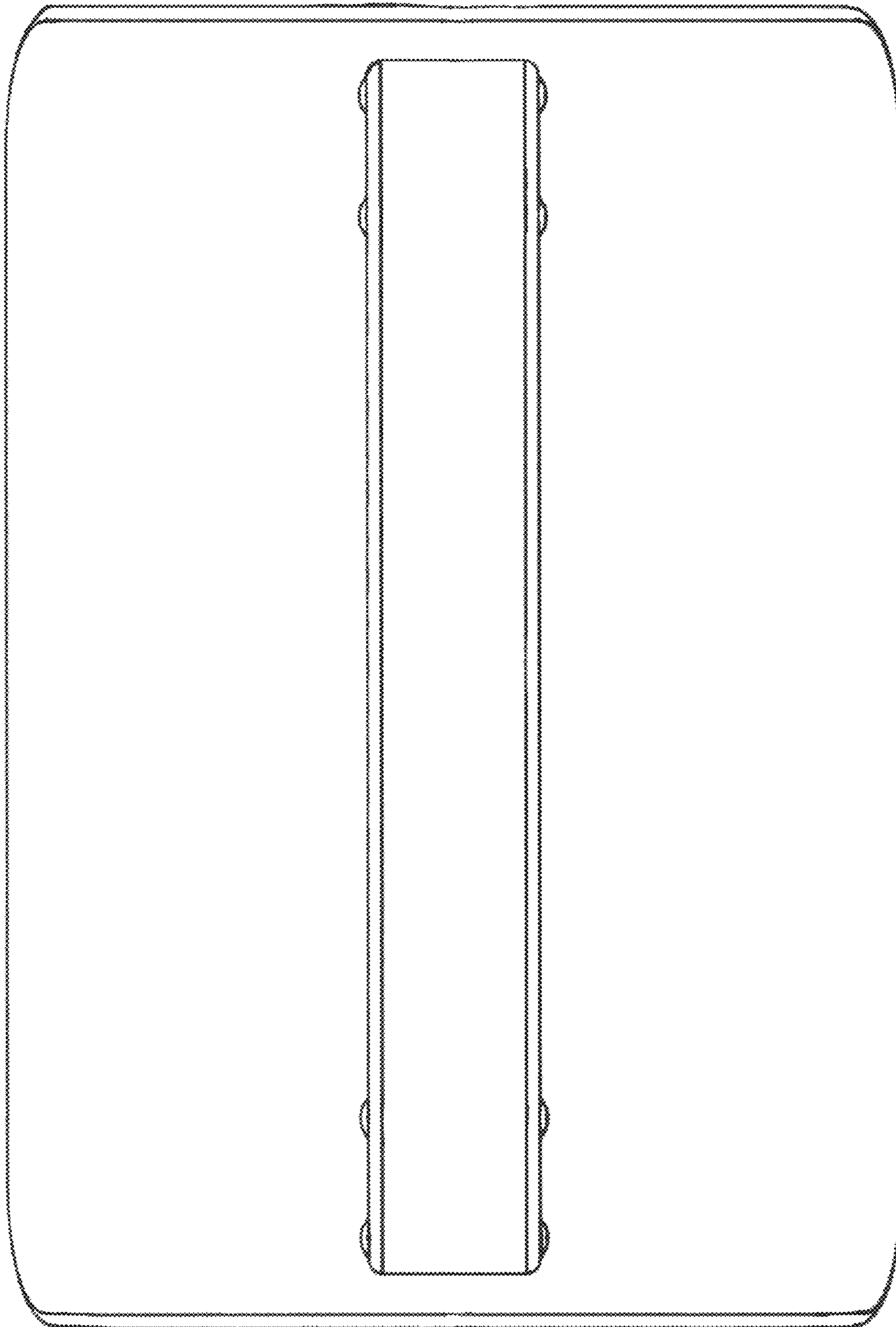


FIG. 6



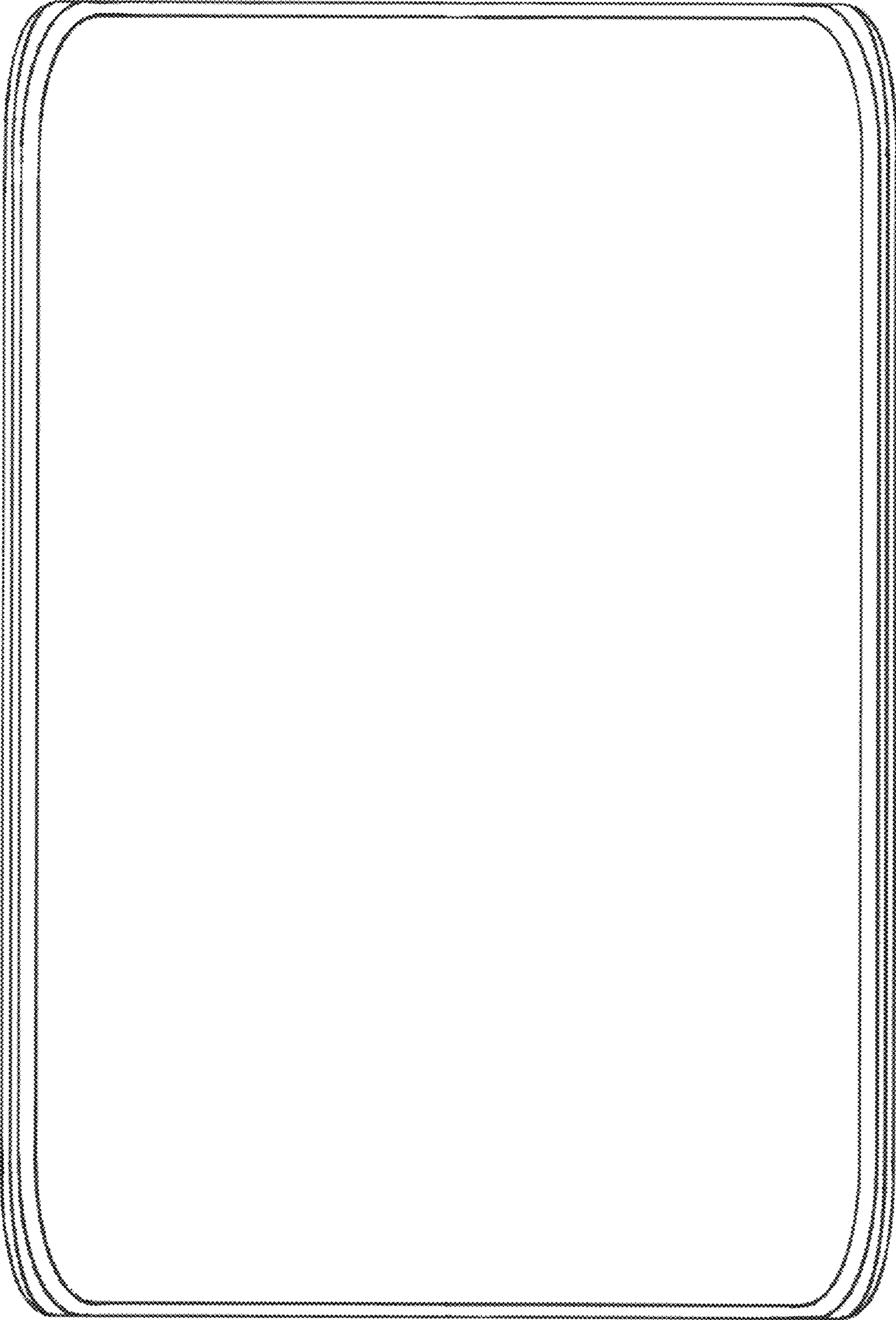


FIG. 7

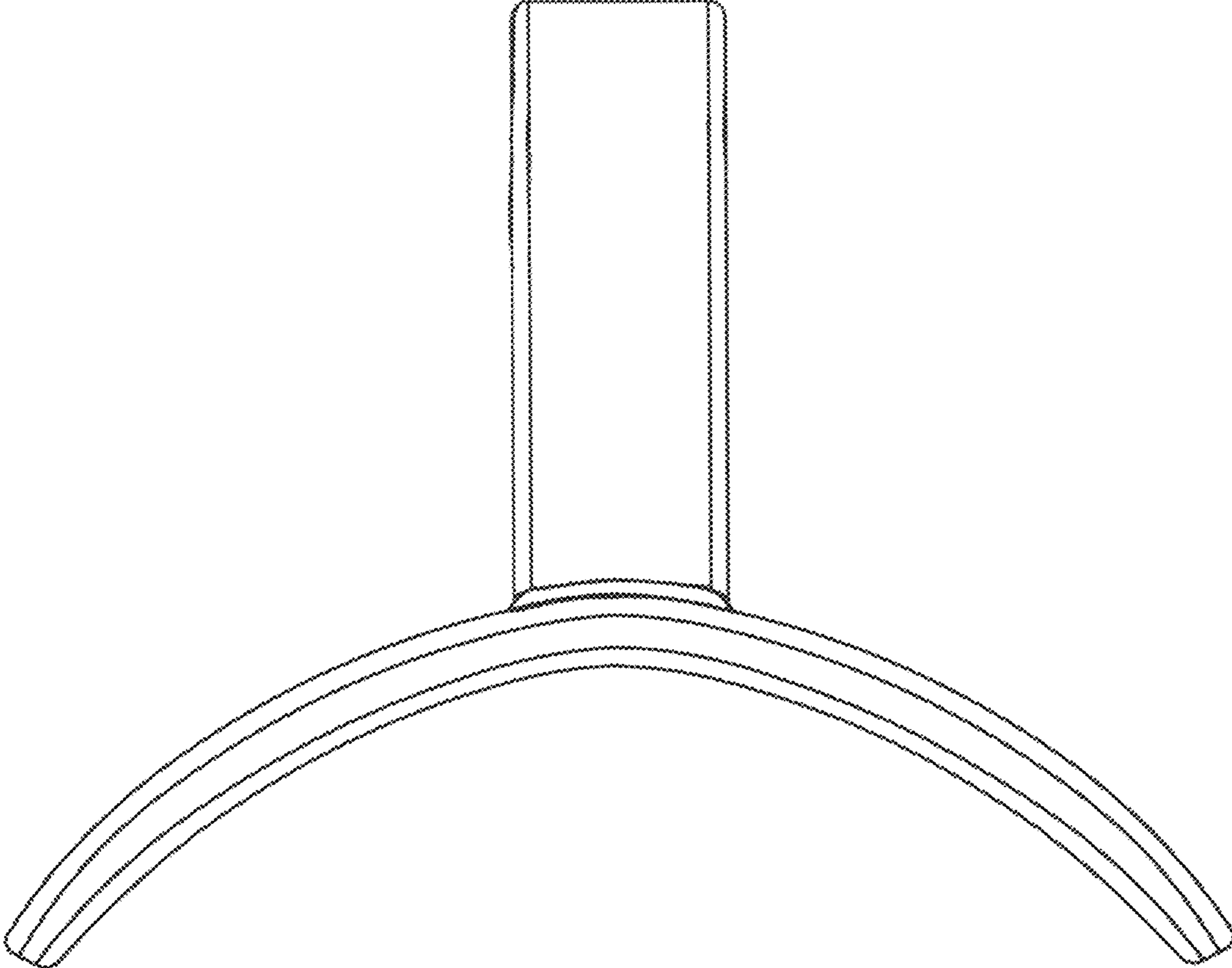


FIG. 8