



US00D970133S

(12) **United States Design Patent**
Jönsson et al.

(10) **Patent No.:** **US D970,133 S**
(45) **Date of Patent:** **** Nov. 15, 2022**

- (54) **ACCESSORIES FOR HEAVY DUTY WASHING MACHINE**
- (71) Applicant: **RESCUE Intellitech AB**, Malmö (SE)
- (72) Inventors: **Mats Jönsson**, Klagstorp (SE); **Per Ovesen**, Brösarp (SE)
- (73) Assignee: **RESCUE INTELLITECH AB**, Malmö (SE)
- (**) Term: **15 Years**
- (21) Appl. No.: **29/707,342**
- (22) Filed: **Sep. 27, 2019**
- (30) **Foreign Application Priority Data**
Apr. 1, 2019 (EM) 006353009-0001
- (51) **LOC (13) Cl.** **15-05**
- (52) **U.S. Cl.**
USPC **D32/25**
CPC **B65D 71/00** (2013.01)
- (58) **Field of Classification Search**
USPC D32/1, 4, 25, 35, 55, 58, 59; D7/553.1, D7/553.2, 553.4, 553.5, 553.6, 553.8, D7/562, 701, 704, 707
CPC B65D 71/00; B65D 71/0003; B65D 71/0007; B65D 2581/3479; B65D 90/0073; A47G 23/0641; Y10S 220/02; A47L 15/1501
See application file for complete search history.

- (56) **References Cited**
U.S. PATENT DOCUMENTS
1,640,184 A * 8/1927 Eaton A47G 23/0208 220/572
1,904,969 A * 4/1933 Cavano A47L 19/04 211/181.1
2,741,392 A * 4/1956 Weiss A47L 15/0065 220/511

- 2,907,470 A * 10/1959 Abresch A47L 15/505 D32/55
- D193,108 S * 6/1962 Ettlinger, Jr. D32/3
- 3,214,031 A * 10/1965 McCauley A47B 81/04 D7/704
- D212,305 S * 9/1968 Hilleman D32/3
- 4,368,747 A * 1/1983 Taylor A47L 15/32 134/93
- 4,527,707 A * 7/1985 Heymann A47L 15/501 211/74
- 4,621,739 A * 11/1986 Heymann A47L 15/501 211/74
- 4,932,532 A * 6/1990 Apps B65D 71/70 220/519
- D313,493 S * 1/1991 Apps D3/313
- 5,012,934 A * 5/1991 Newhall A47L 19/00 D32/55
- D317,670 S * 6/1991 Apps D3/314
- 5,031,774 A * 7/1991 Morris B65D 1/36 220/519
- 5,316,172 A * 5/1994 Apps B65D 71/70 220/519
- D412,399 S * 8/1999 Apps D3/312

(Continued)

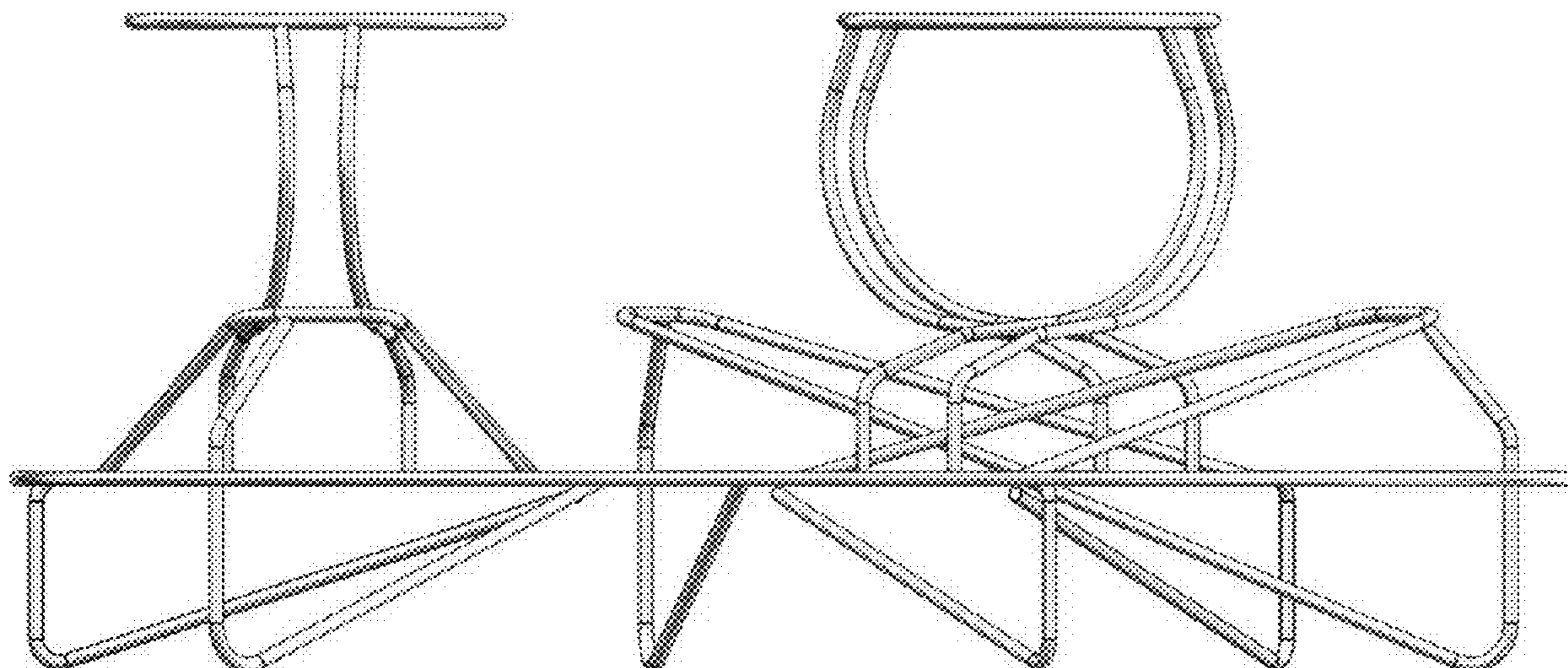
Primary Examiner — Richard E Chilcot
(74) *Attorney, Agent, or Firm* — Thomas|Horstemeyer, LLP

(57) **CLAIM**
The ornamental design for accessories for heavy duty washing machine, as shown and described.

DESCRIPTION

FIG. 1 is a perspective view of the accessories for heavy duty washing machine, showing our new design;
FIG. 2 is a front view thereof;
FIG. 3 is a back view thereof;
FIG. 4 is a right side view thereof;
FIG. 5 is a left side view thereof;
FIG. 6 is a top view thereof; and,
FIG. 7 is a bottom view thereof.

1 Claim, 7 Drawing Sheets



(56)

References Cited

U.S. PATENT DOCUMENTS

5,938,060	A *	8/1999	Rutland, Jr.	A47G 23/0641 220/23.6
6,186,328	B1 *	2/2001	Apps	B65D 21/0233 206/821
D439,716	S *	3/2001	Wright	D32/55
D518,936	S *	4/2006	Yang	D32/55
D647,678	S *	10/2011	Yang	D32/55
D668,401	S *	10/2012	Eng	A47L 15/50 D32/3
D677,400	S *	3/2013	Blaettler	D24/230
D683,504	S *	5/2013	Clores	D32/3
D687,610	S *	8/2013	Jonsson	D32/55
D695,982	S *	12/2013	Jonsson	D32/55
D703,396	S *	4/2014	Scherrer	D32/3
D706,009	S *	5/2014	Cooper	D32/58
D706,510	S *	6/2014	Lerner	D32/55
D713,608	S *	9/2014	Jonsson	D32/3
D740,511	S *	10/2015	Chiu	D32/58
D749,323	S *	2/2016	Stahl	D3/308
D752,299	S *	3/2016	Clores	D32/3
D762,035	S *	7/2016	Cooper	D32/55
D776,385	S *	1/2017	Evans	D32/55
D819,289	S *	5/2018	Umholtz	D32/55
D826,425	S *	8/2018	Muller	D24/230
D915,707	S *	4/2021	Li	D32/55
D930,940	S *	9/2021	Cohen	D34/38
D938,679	S *	12/2021	Greenblatt	D32/25

* cited by examiner

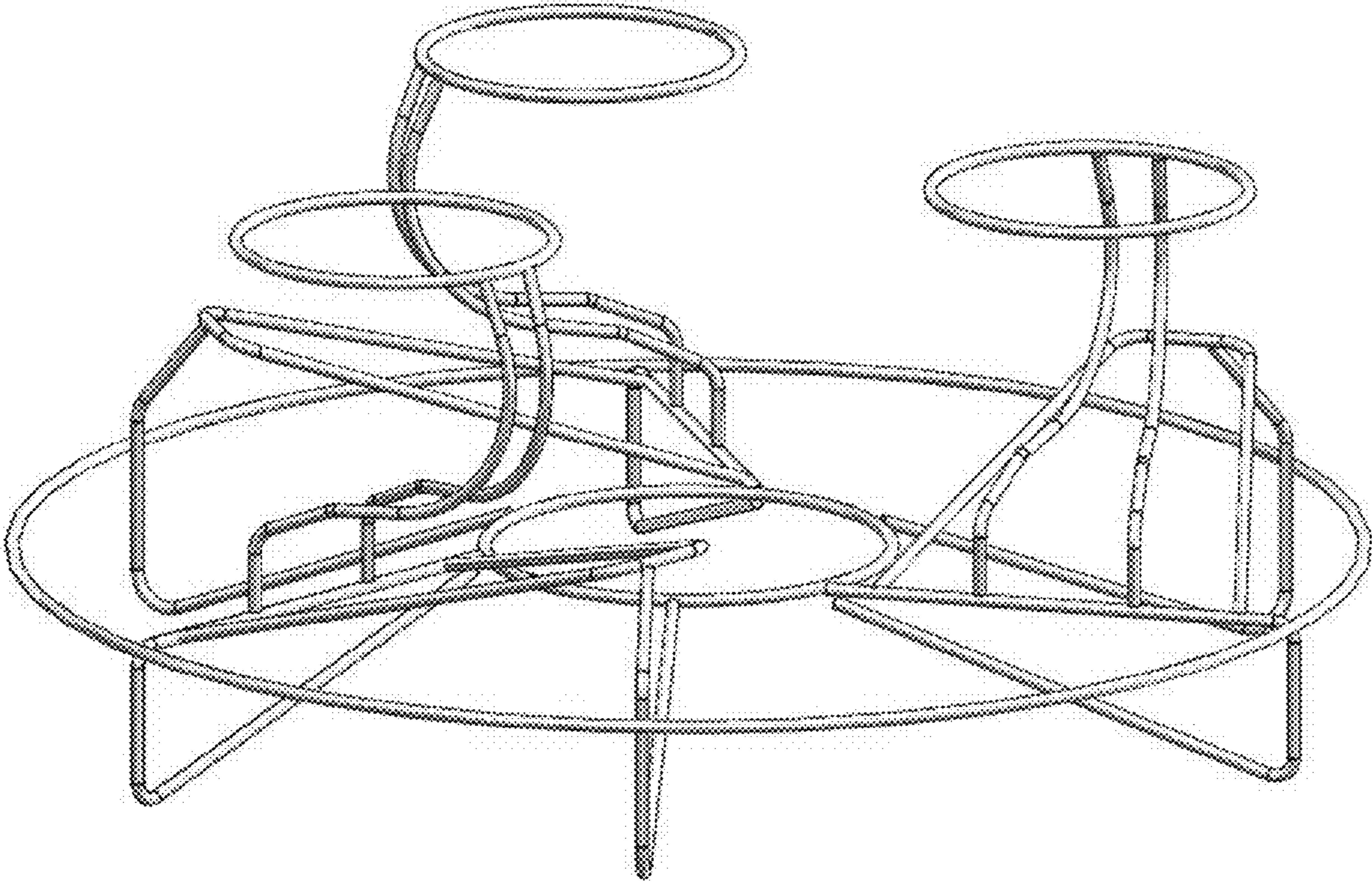


FIG. 1

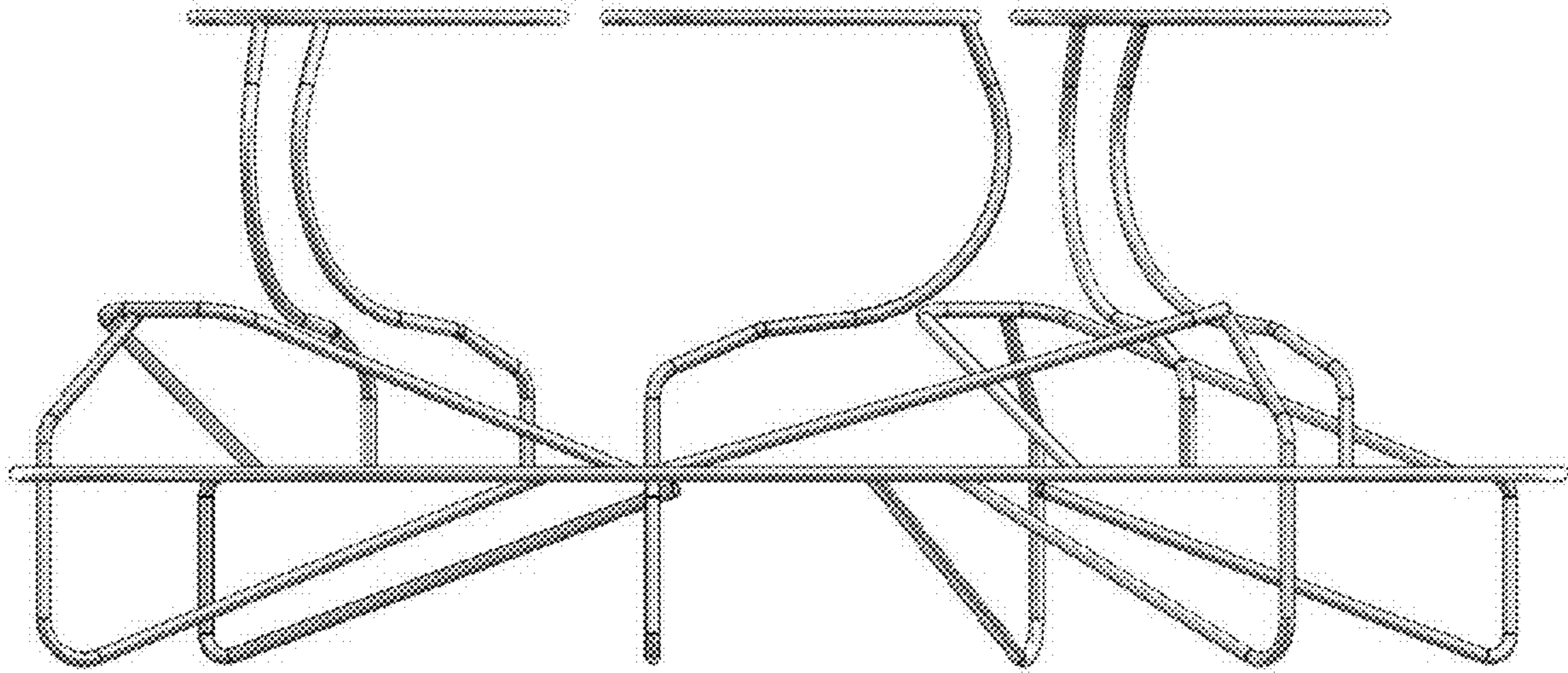


FIG. 2

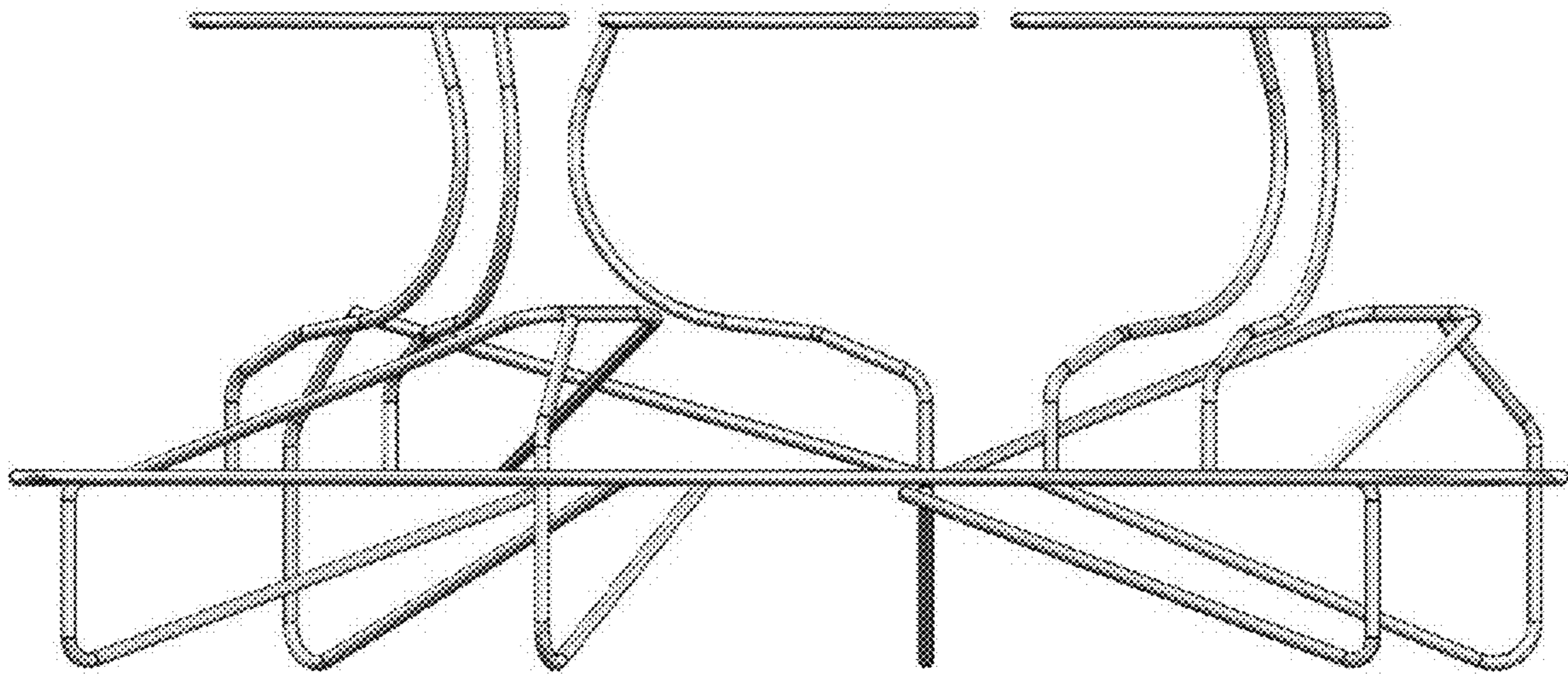


FIG. 3

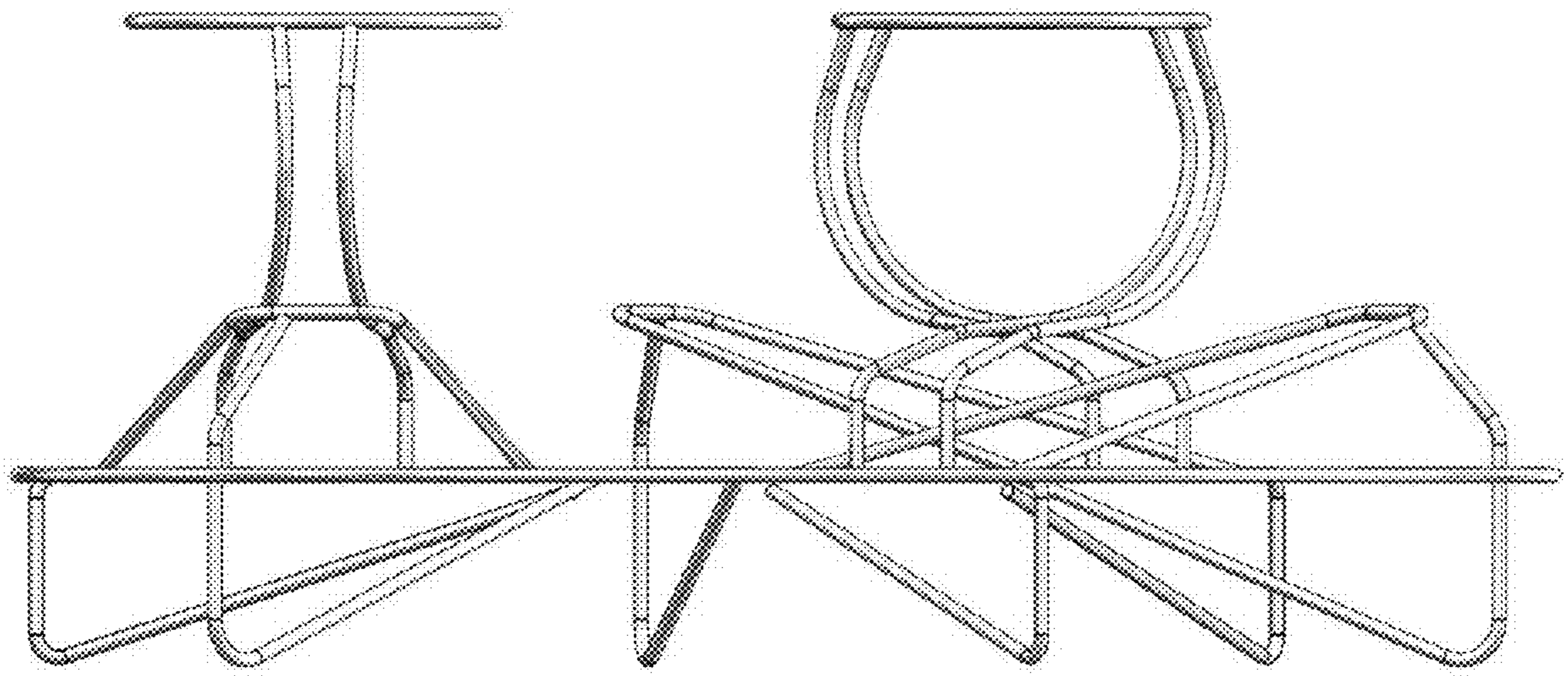


FIG. 4

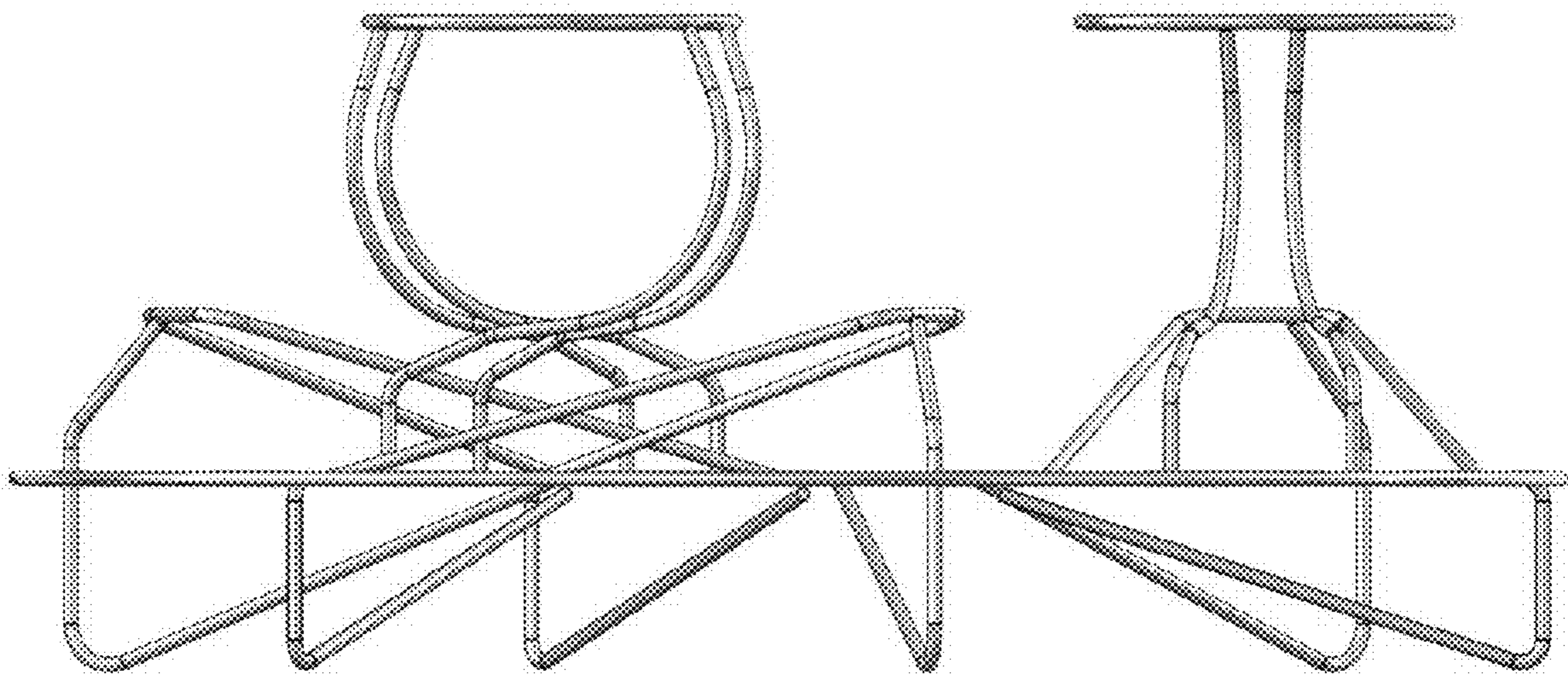


FIG. 5

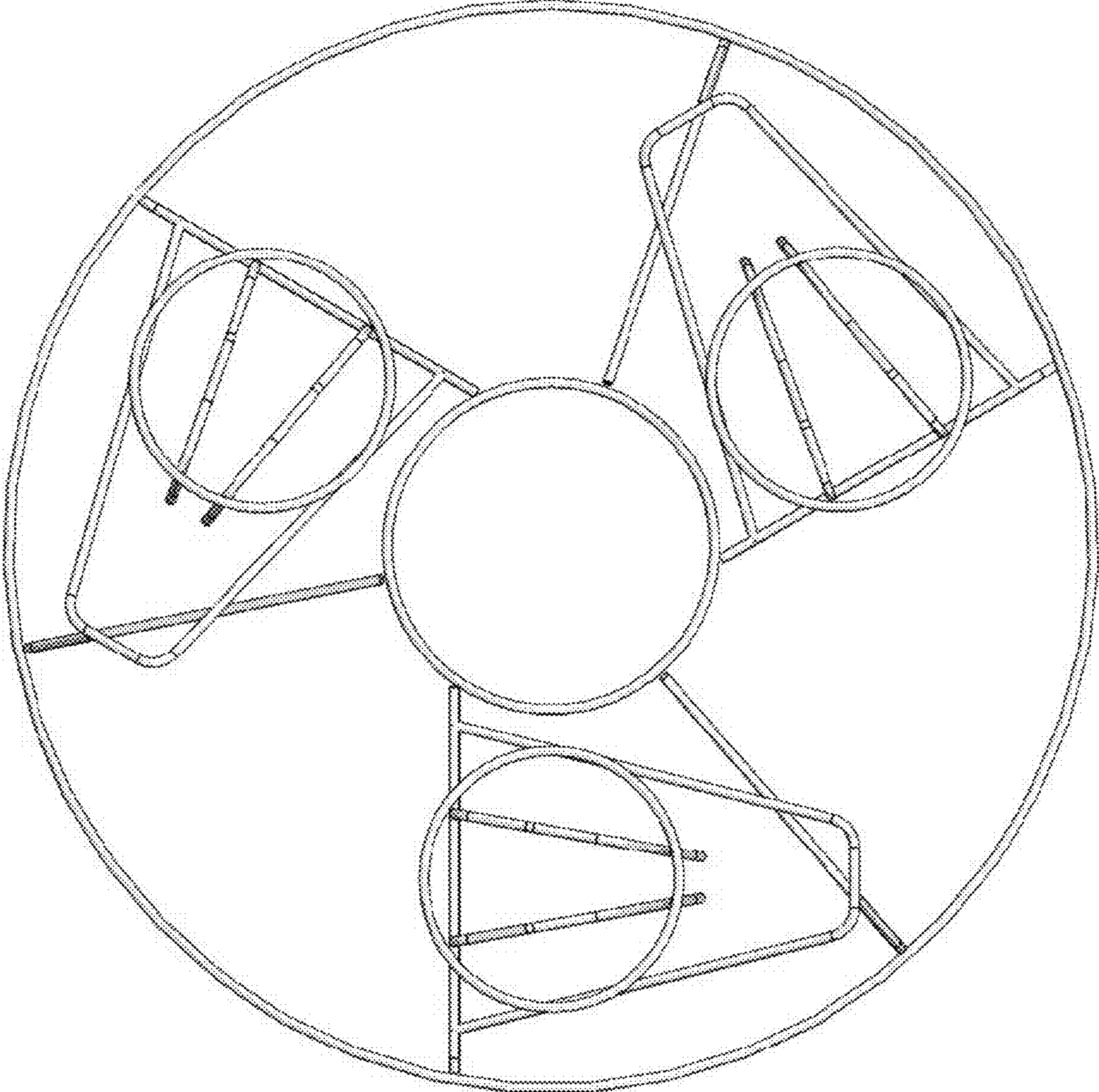


FIG. 6

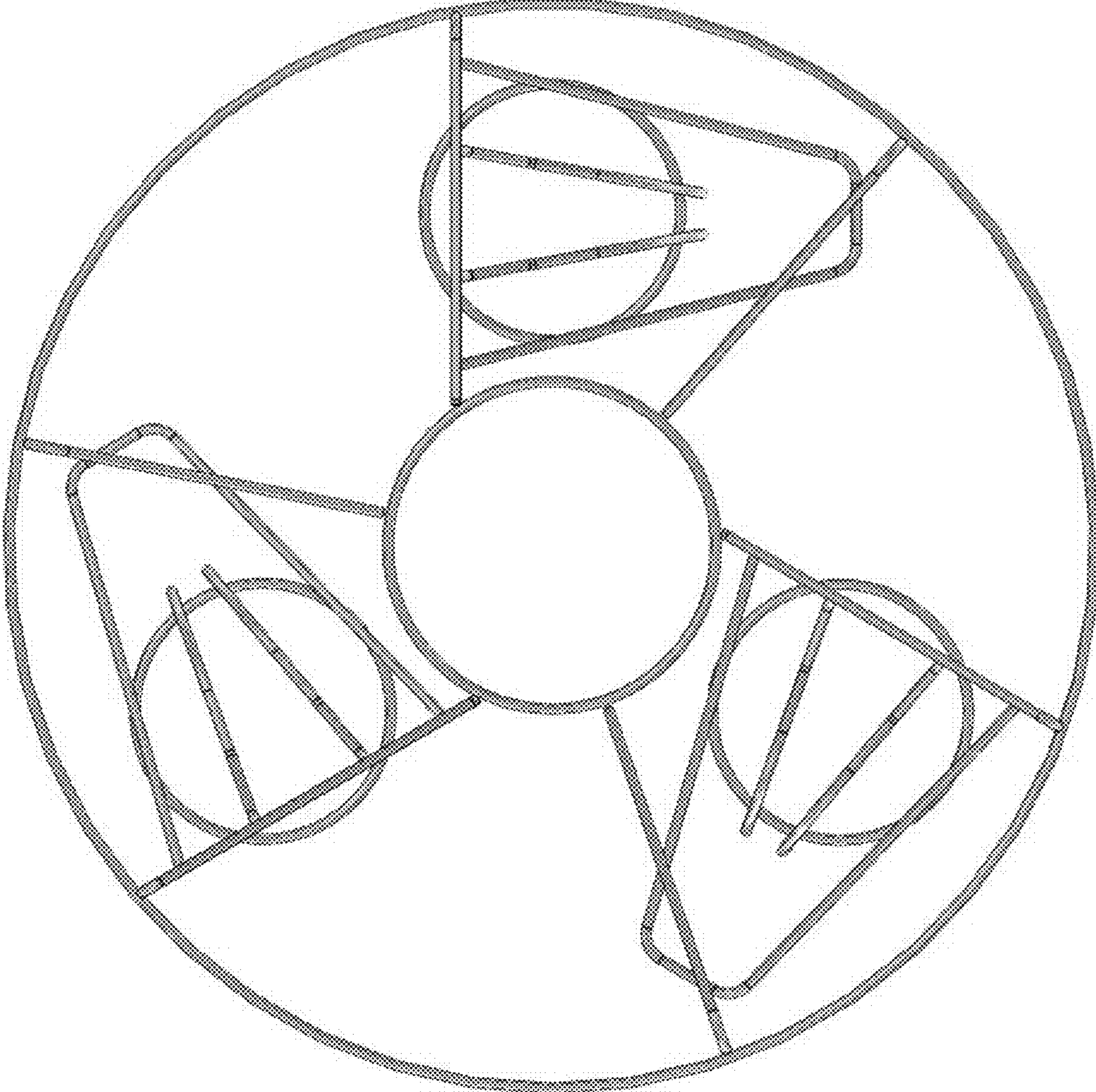


FIG. 7