



US00D970128S

(12) **United States Design Patent** (10) **Patent No.:** **US D970,128 S**
Hu (45) **Date of Patent:** **** Nov. 15, 2022**

- (54) **ANIMAL EAR TAG** 4,878,456 A * 11/1989 Howe A01K 11/001
119/653
- (71) Applicant: **Shenzhen Leadercolor Smart Card Co., Ltd, Shenzhen (CN)** 4,920,671 A * 5/1990 Zatkos A01K 11/001
227/181.1
- (72) Inventor: **Wenchang Hu, Shenzhen (CN)** D343,135 S * 1/1994 Witzky D10/106.91
- (73) Assignee: **Shenzhen Leadercolor Smart Card Co., Ltd, Shenzhen (CN)** D343,261 S * 1/1994 Eberhardt D30/155
5,357,700 A * 10/1994 Schulte A01K 11/006
606/117
- 5,461,807 A * 10/1995 Johnson A01K 11/006
40/300

(Continued)

(**) Term: **15 Years**

(21) Appl. No.: **29/690,550**

(22) Filed: **May 9, 2019**

(30) **Foreign Application Priority Data**

Nov. 13, 2018 (CN) 201830641783.0

(51) **LOC (13) Cl.** **10-05**

(52) **U.S. Cl.**
USPC **D30/155; D10/106.9**

(58) **Field of Classification Search**
USPC D10/106.9-106.94; D30/155
CPC .. A01K 11/001; A01K 11/004; A01K 11/006;
A01K 13/003; G09F 3/02; G09F 3/12;
E05B 73/00; E05B 73/0017; H01Q
1/2225

See application file for complete search history.

(56) **References Cited**

U.S. PATENT DOCUMENTS

- 4,209,924 A * 7/1980 Fearing A01K 11/001
40/301
- 4,579,085 A * 4/1986 McGuire A01K 11/001
119/655
- 4,694,781 A * 9/1987 Howe A01K 13/003
606/117
- 4,718,697 A * 1/1988 Berardus van Amelsfort
A01K 11/004
40/299.01
- D299,038 S * 12/1988 van Amelsfort D20/27

OTHER PUBLICATIONS

Leader Color, UHF RFID Strip Ear Tags Item No. LDR-2796A, (site visited Apr. 5, 2022), Leader Color website, URL:<https://www.leadercolor.com/products/UHF-RFID-Strip-Ear-Tags-222.html> (Year: 2022).*

(Continued)

Primary Examiner — Calvin E Vansant
Assistant Examiner — Mark T. Philipps
(74) *Attorney, Agent, or Firm* — Nitin Kaushik

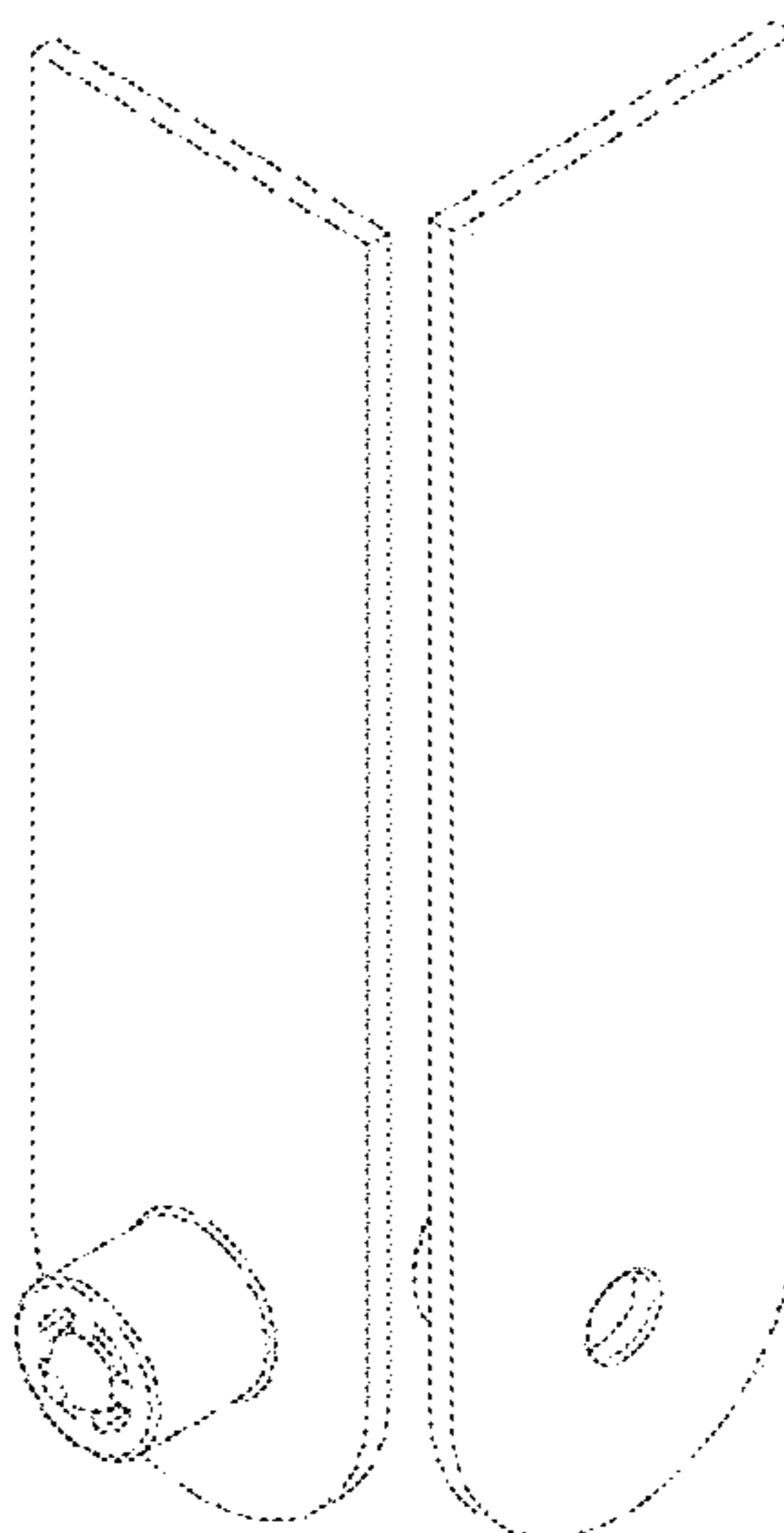
(57) **CLAIM**

The ornamental design for a animal ear tag, as shown and described.

DESCRIPTION

FIG. 1 is a front view of a animal ear tag in accordance with the first embodiment of my new design;
FIG. 2 is a rear view thereof;
FIG. 3 is a left-side view thereof;
FIG. 4 is a right-side view thereof;
FIG. 5 is a top view thereof;
FIG. 6 is a bottom view thereof;
FIG. 7 is a front perspective view thereof; and,
FIG. 8 is a rear perspective view thereof.
The broken lines in the drawings illustrate portions of the animal ear tag that form no part of the claimed design.

1 Claim, 8 Drawing Sheets



(56)

References Cited

U.S. PATENT DOCUMENTS

D463,630 S * 9/2002 Halderman A01K 11/001
D30/155
6,546,652 B1 * 4/2003 Gardner A01K 11/001
40/302
D569,051 S * 5/2008 Harvey D30/155
D649,076 S * 11/2011 Alexander D10/106.9
8,985,059 B2 * 3/2015 Kellerby A01K 11/001
119/655
D801,597 S * 10/2017 Ulery D30/155
D853,054 S * 7/2019 Auer D30/155
D860,548 S * 9/2019 Hicks D30/155
D881,897 S * 4/2020 Taylor D20/43
D907,312 S * 1/2021 Wang D30/155

OTHER PUBLICATIONS

Doowa, HDX (Half Duplex) Visual Ear Tags, Cattle Tags, (site visited Apr. 5, 2022), Doowa website, URL:<<https://www.doowa-rfid.com/electronic-ear-tags/hdx-ear-tag-with-visual-pad>> (Year: 2022).*

Leader Color, UHF RFID Strip Ear Tags Item No. LDR-9627A, (site visited Apr. 5, 2022), Leader Color website, URL:<<https://www.leadercolor.com/products/UHF-RFID-Strip-Ear-Tag-223.html>> (Year: 2022).*

Premier 1 Supplies, Q-flex EID/RFID Tags, (site visited Apr. 5, 2022), Premier 1 website, URL:<https://www.premier1supplies.com/p/q-flex-rfid-ear-tags?cat_id=268#product-information-reviews> (Year: 2022).*

HSA Security Solutions, Animal Tag HSA-SS-AT-TX-ET103, (site visited Apr. 5, 2022), HSA Security website, URL:<<https://hsasecurity.net/product/animal-tag-seals-durable-tamper-evident-animal-ear-tags-for-animal-control-tracking-with-optional-rfid-tags-long-range-readers-hsa-ss-at-tx-et103/>> (Year: 2022).*

* cited by examiner

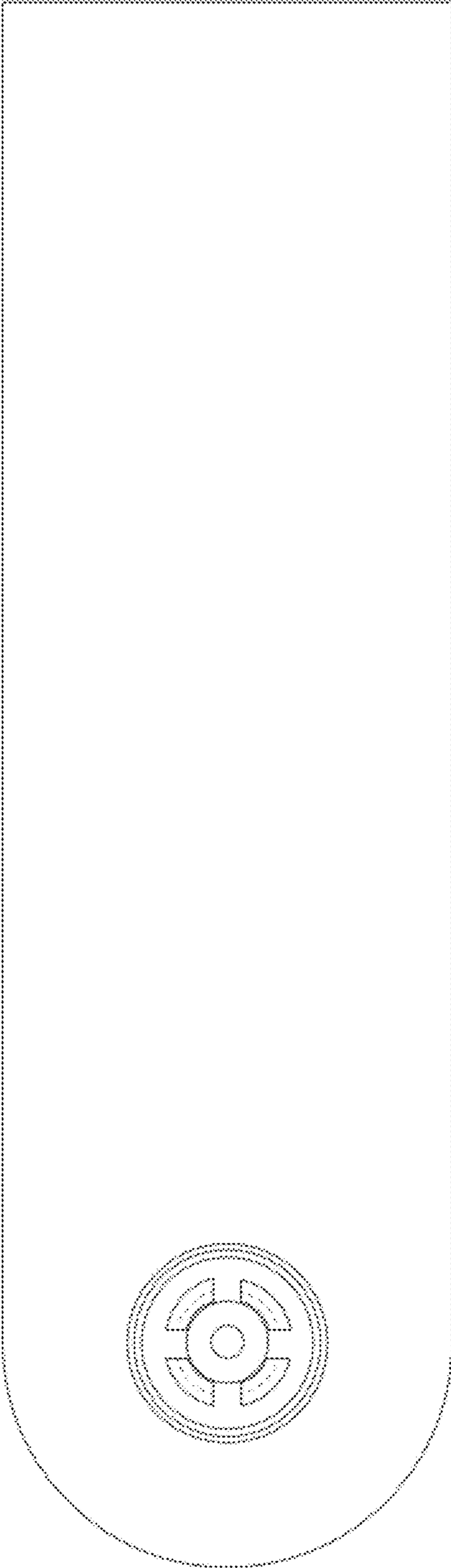


FIG. 1

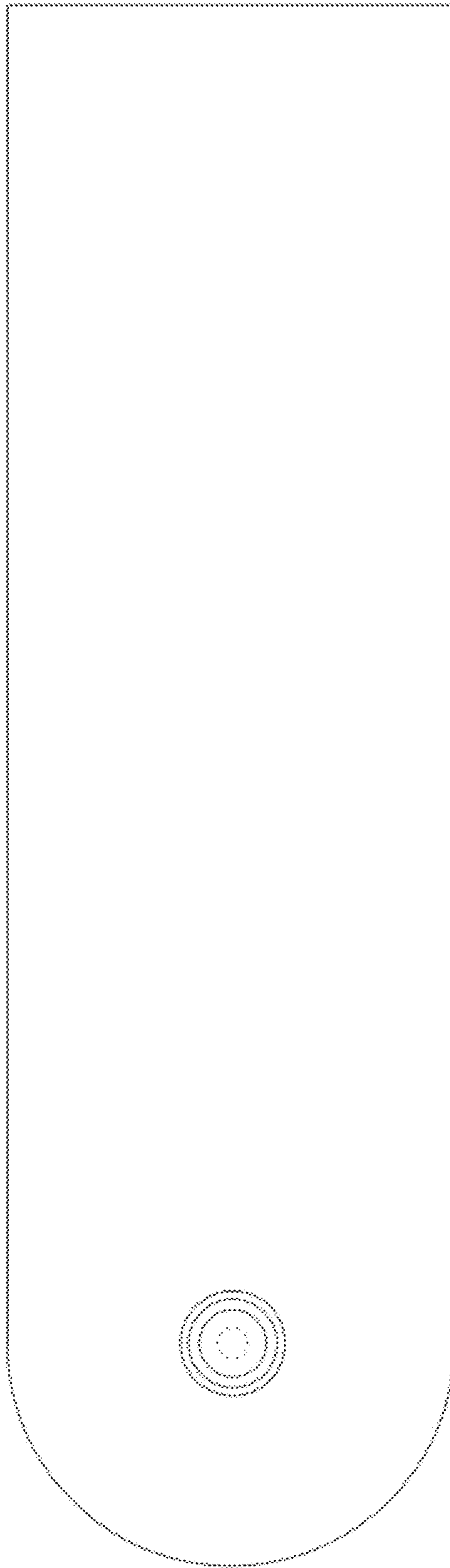


FIG. 2



FIG. 3

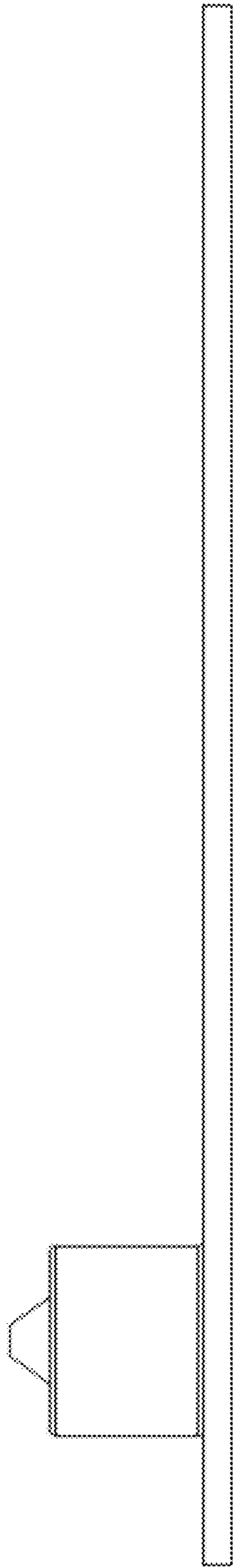


FIG. 4

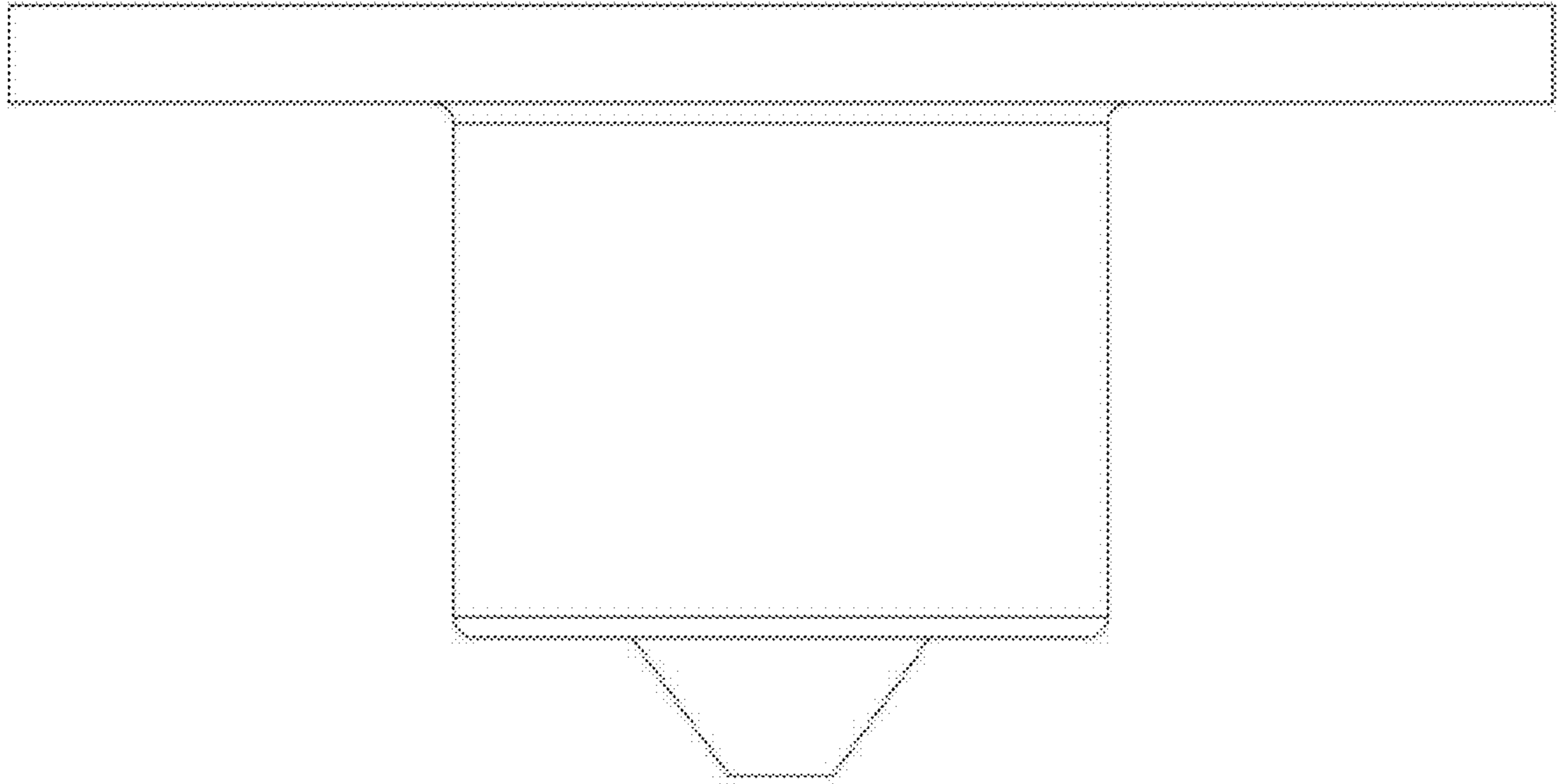


FIG. 5

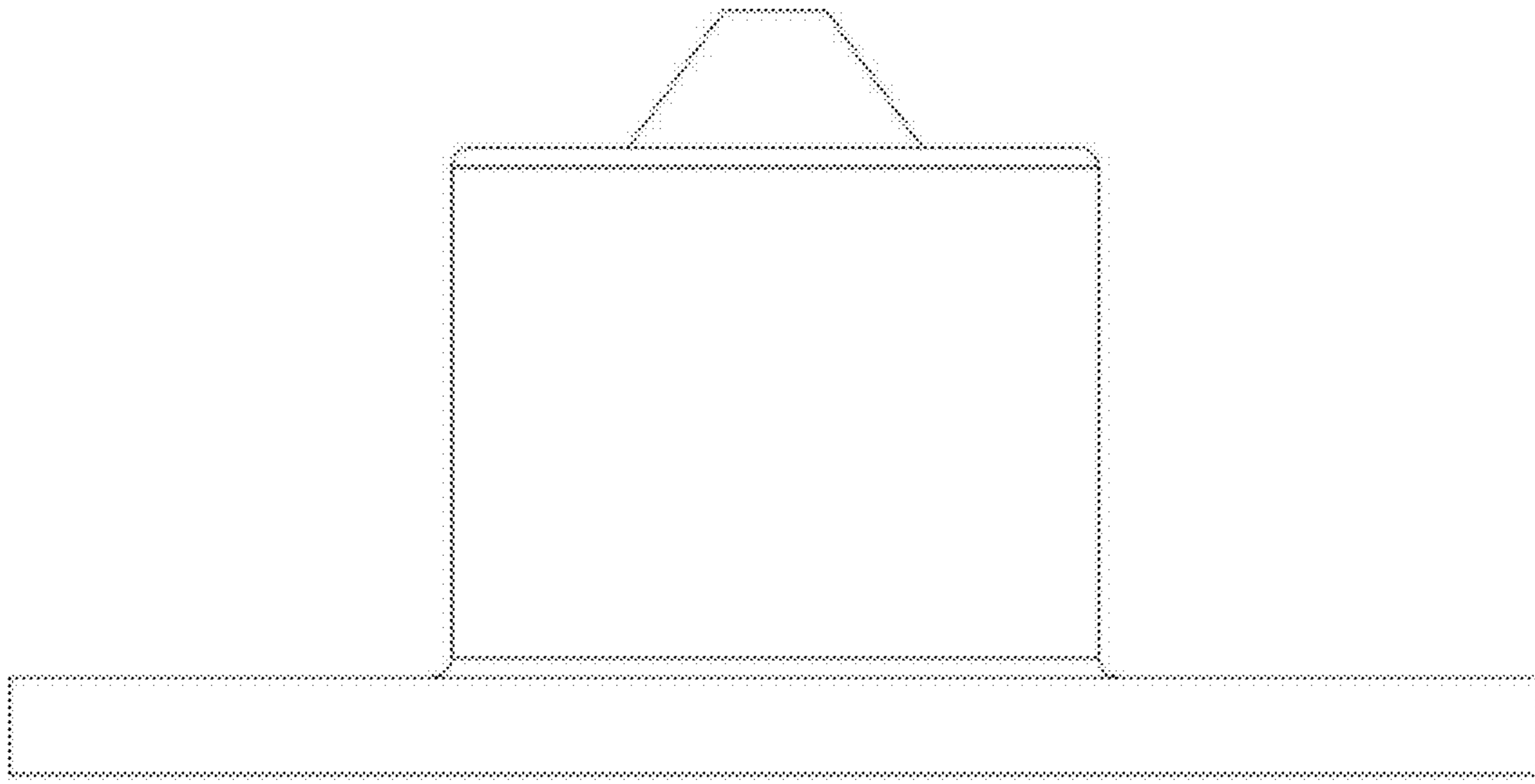


FIG. 6

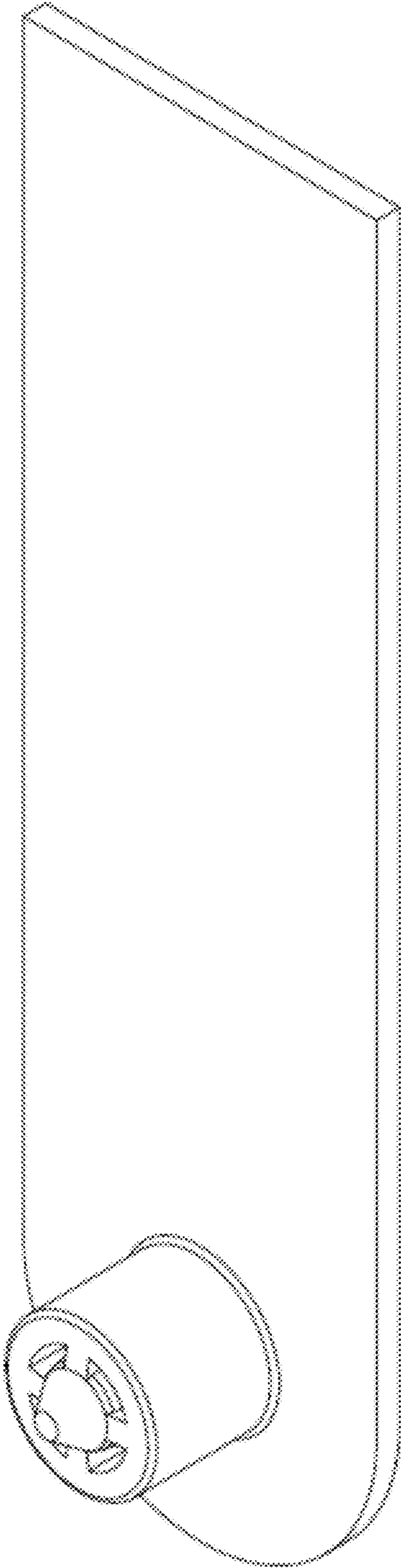


FIG. 7

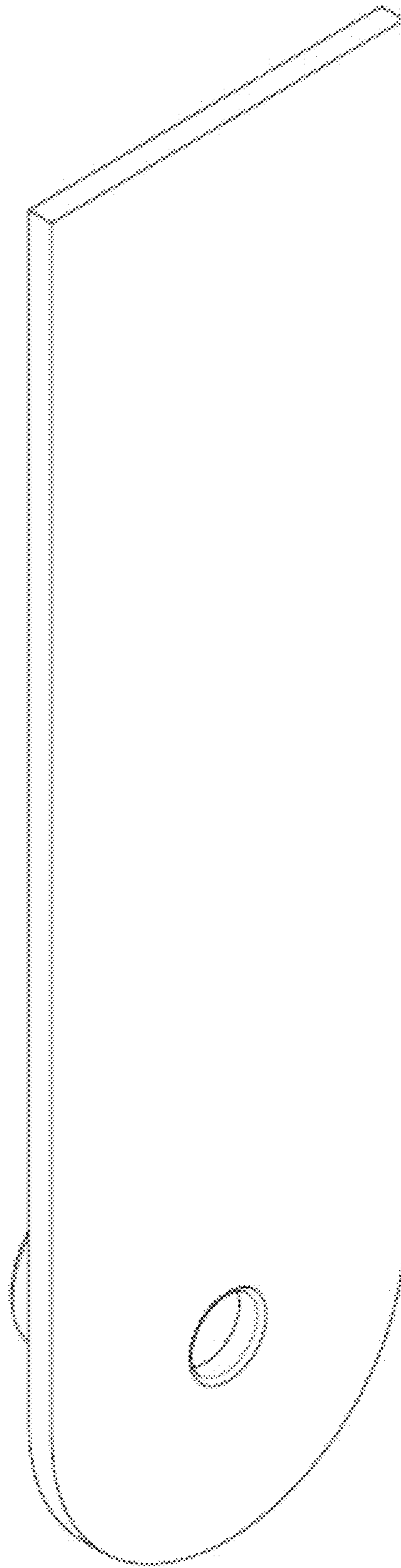


FIG. 8