

US00D970126S

(12) **United States Design Patent** (10) **Patent No.:** **US D970,126 S**
Iverson et al. (45) **Date of Patent:** **** Nov. 15, 2022**

(54) **FACE SHIELD**

(71) Applicant: **MacNeil IP LLC**, Bolingbrook, IL (US)

(72) Inventors: **David S. Iverson**, Oak Brook, IL (US); **Larry Melcher**, Allendale, MI (US)

(73) Assignee: **MACNEIL IP LLC**, Bolingbrook, IL (US)

(**) Term: **15 Years**

(21) Appl. No.: **29/749,442**

(22) Filed: **Sep. 4, 2020**

(51) **LOC (13) Cl.** **29-02**

(52) **U.S. Cl.**
USPC **D29/110**

(58) **Field of Classification Search**
USPC D29/102, 105-109, 110, 122; D24/101.1, D24/101.2; D16/301; D2/866
See application file for complete search history.

(56) **References Cited**

U.S. PATENT DOCUMENTS

5,692,522	A *	12/1997	Landis	A41D 13/1184
					128/857
D913,597	S *	3/2021	Wurapa	D29/110
D914,294	S *	3/2021	Evans	D29/110
D914,295	S *	3/2021	Evans	D29/110
11,266,188	B2 *	3/2022	Basta	A41D 13/1161
2021/0298381	A1 *	9/2021	Yeaman	A41D 13/1184
2022/0061422	A1 *	3/2022	Iverson	A41D 13/1161
2022/0061425	A1 *	3/2022	Bailliet	A41D 13/1161

OTHER PUBLICATIONS

Salon World Safety Face Shields Ultra Clear Protective Full Face Shields, Amazon.com https://www.amazon.com/Salon-World-Safety-Shields-Packs/dp/B08B2KJHRP/ref=sr_1_1_sspa?keywords=salon%2Bworld%2Bface%2Bshield&qid=1659011657&sprefix=salon%2Bworld%2Bface%2Caps%2C88&sr=8-1-spons&smid=

A23ADOZFIJNPFB&spLa=ZW5jcnlwdGVkUXVhbGlmaWVyPUFXOFIIVkFSTVVCSUQmZW5jcnlwdGVkSWQ9QTAWMDMwMzkxU0E3NjcyVE11N (Year: 2020).*

* cited by examiner

Primary Examiner — Robert A Delehanty

(74) *Attorney, Agent, or Firm* — Perkins IP Law Group LLC; Jefferson Perkins

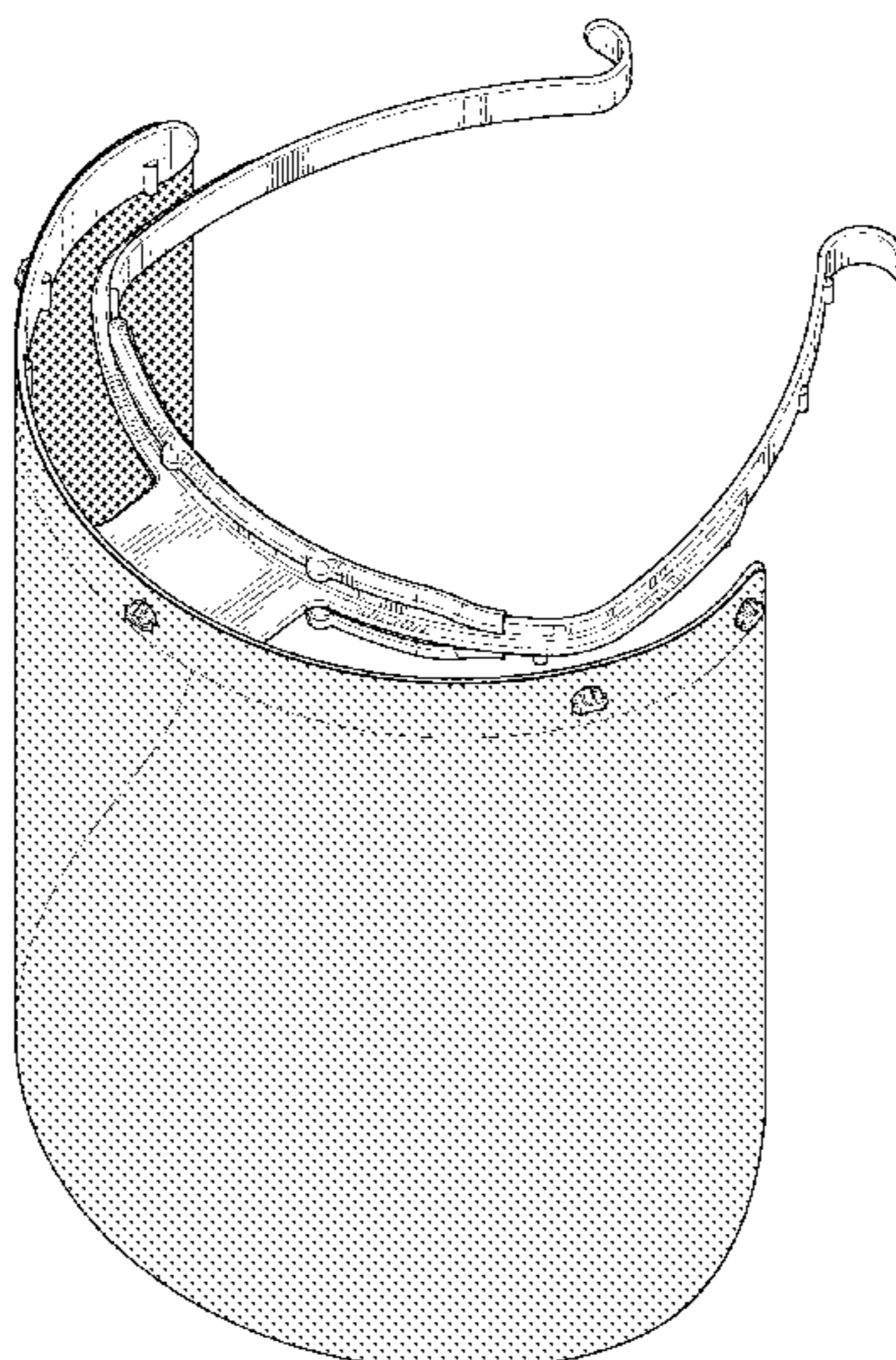
(57) **CLAIM**

We claim the ornamental design for a face shield, as shown and described.

DESCRIPTION

FIG. 1 is a front top left perspective view of our design; FIG. 2 is a rear top left perspective view thereof; FIG. 3 is a rear bottom left perspective view thereof; FIG. 4 is a front bottom right perspective view thereof, a part of a visor component of the design being broken away, the visor component being transparent; FIG. 5 is a front view thereof; FIG. 6 is a rear view thereof; FIG. 7 is a left view thereof, a right view thereof being a mirror image of the left view; FIG. 8 is a top view thereof, a headband component of the design being shown in a first, unflexed configuration; FIG. 9 is a bottom view thereof; the headband component being shown in the first configuration; FIG. 10 is a detail sectional view taken along Line 10-10 of FIG. 8; FIG. 11 is a detail of FIG. 5, showing a barb of our design; FIG. 12 is a perspective view of the barb shown in FIG. 11; and, FIG. 13 is a top view of our design, the headband component thereof being shown in a second, flexed configuration. The broken lines shown illustrate environment that forms no part of the claimed design. The design is bilaterally symmetrical about a vertical plane that includes Line 10-10 of FIG. 8.

1 Claim, 11 Drawing Sheets



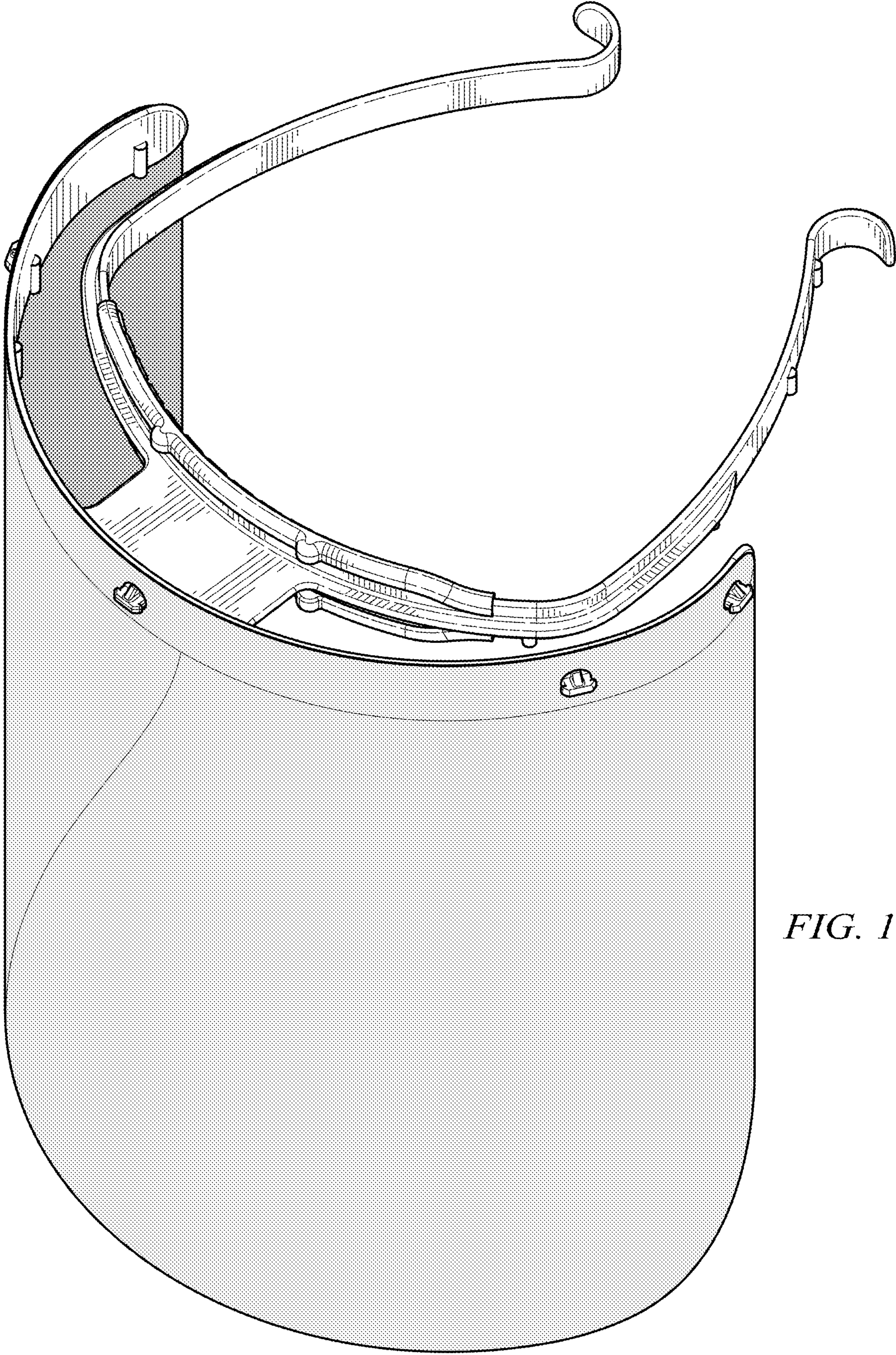


FIG. 1

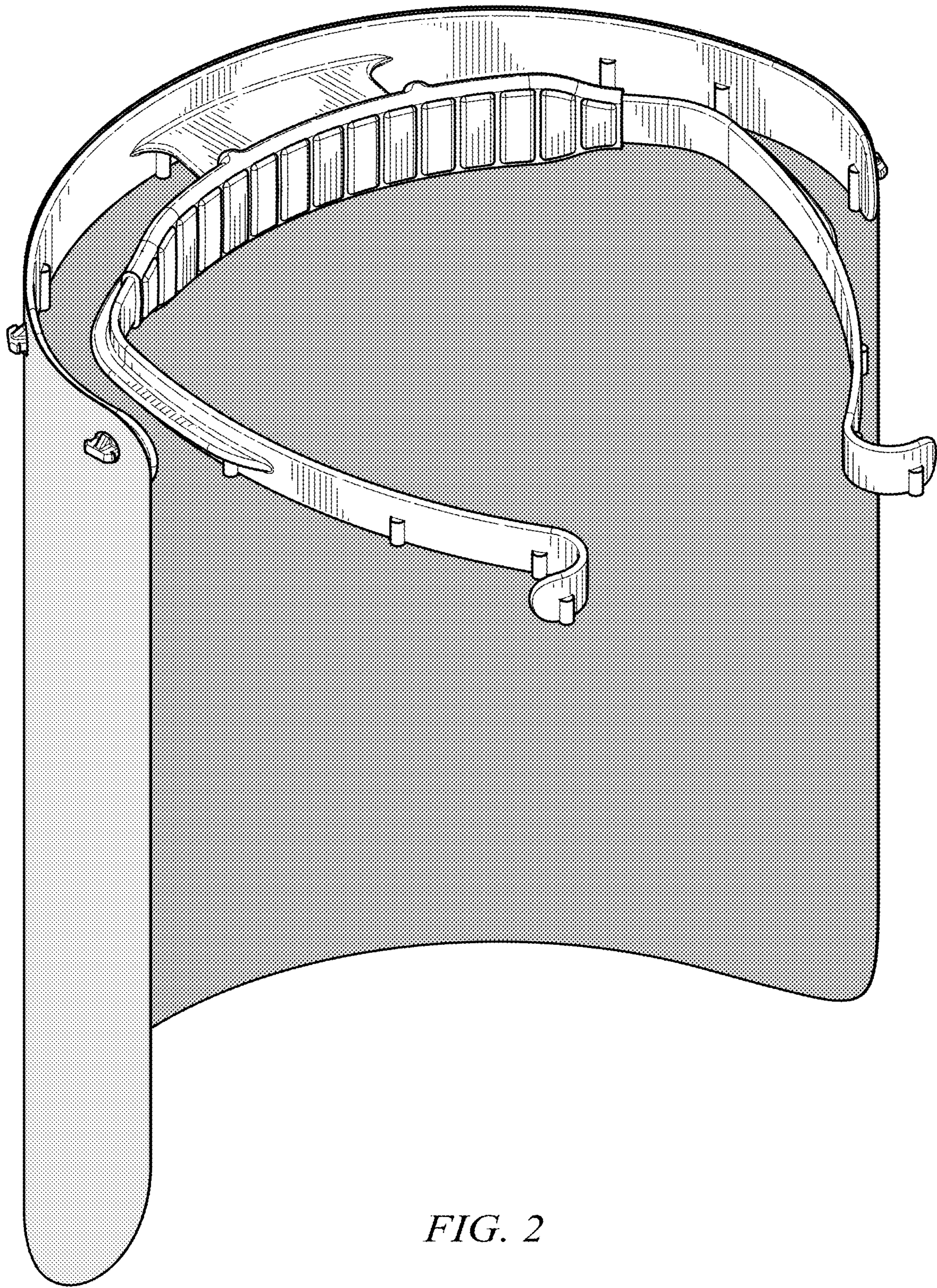
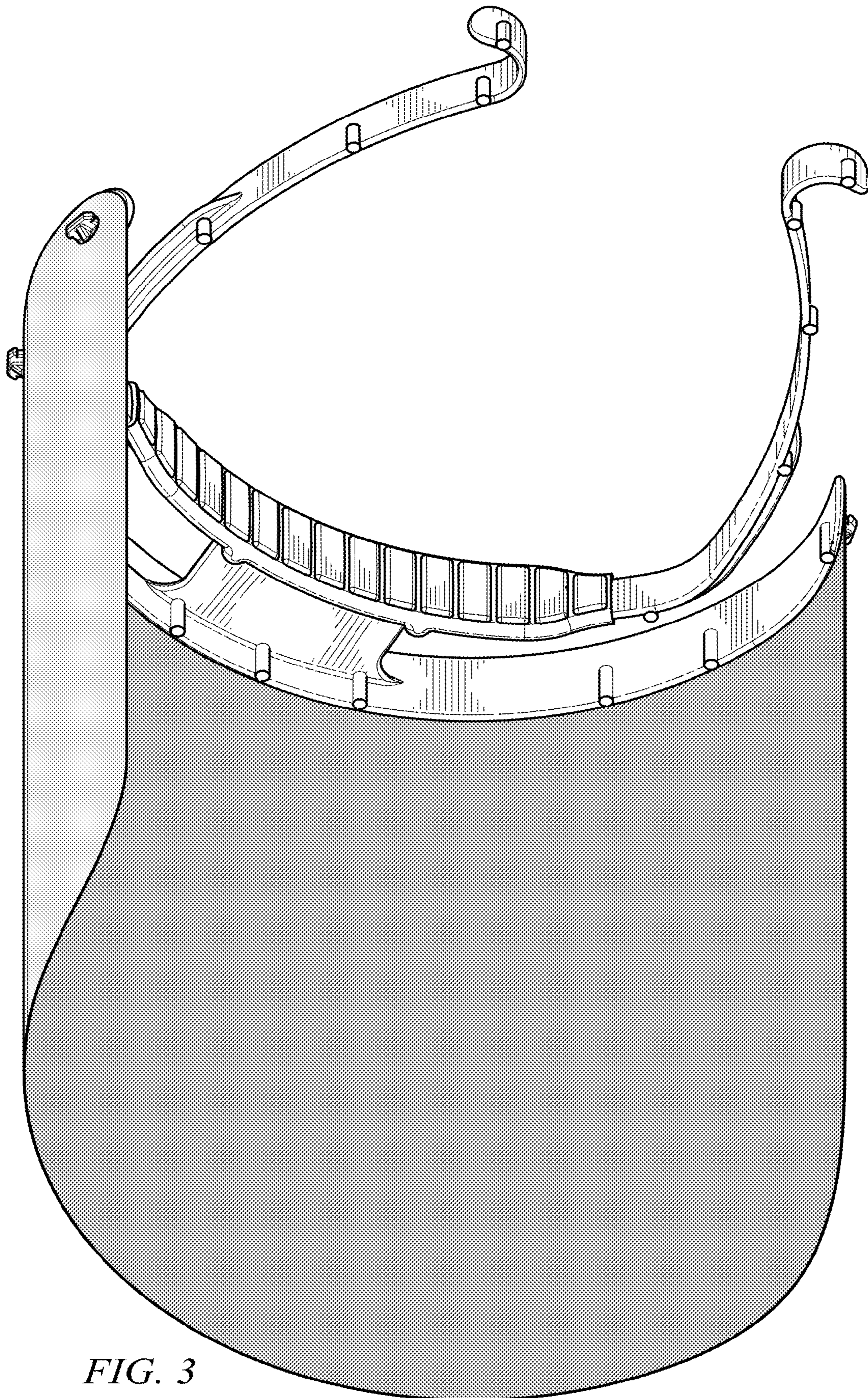


FIG. 2



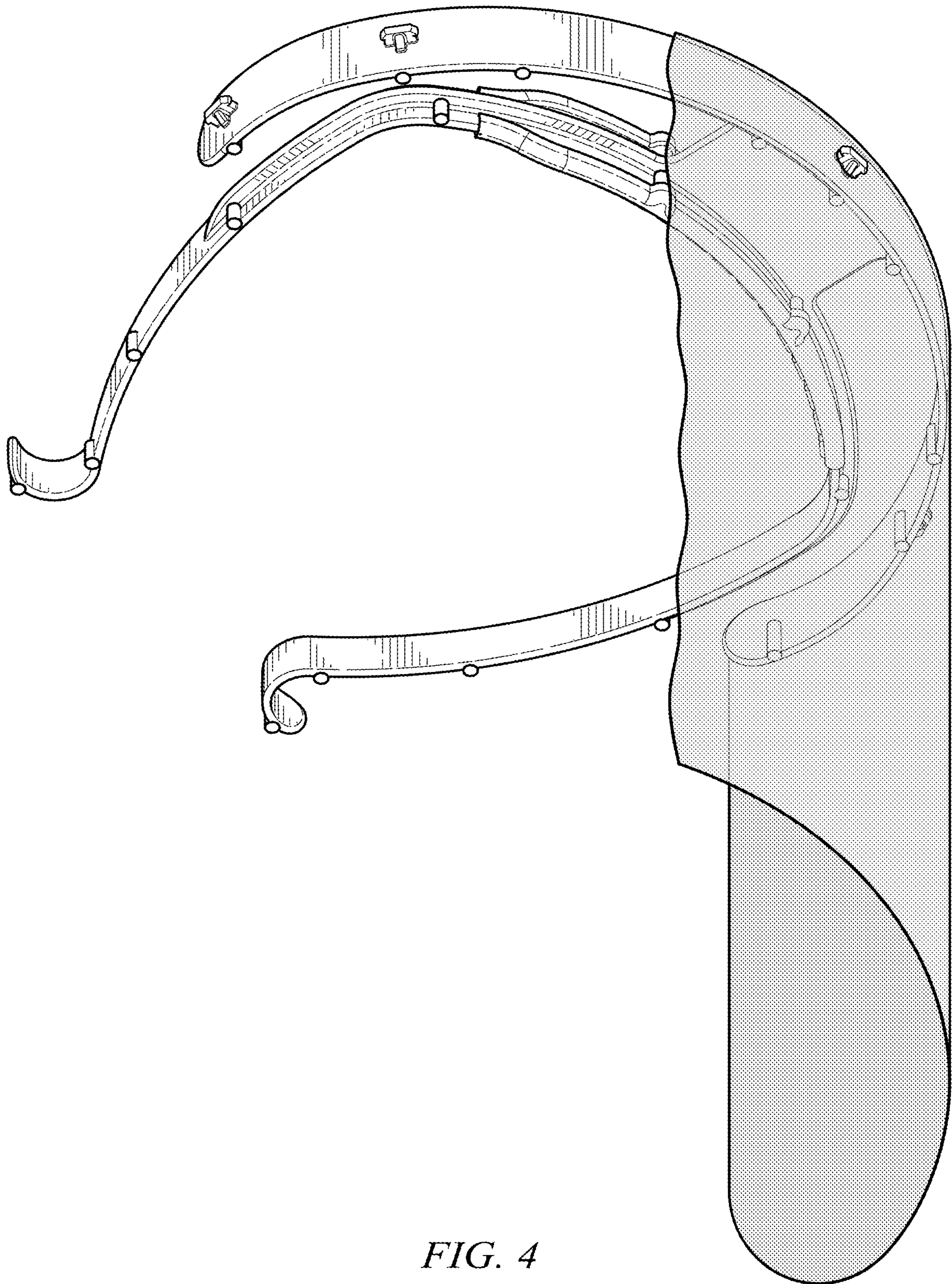


FIG. 4

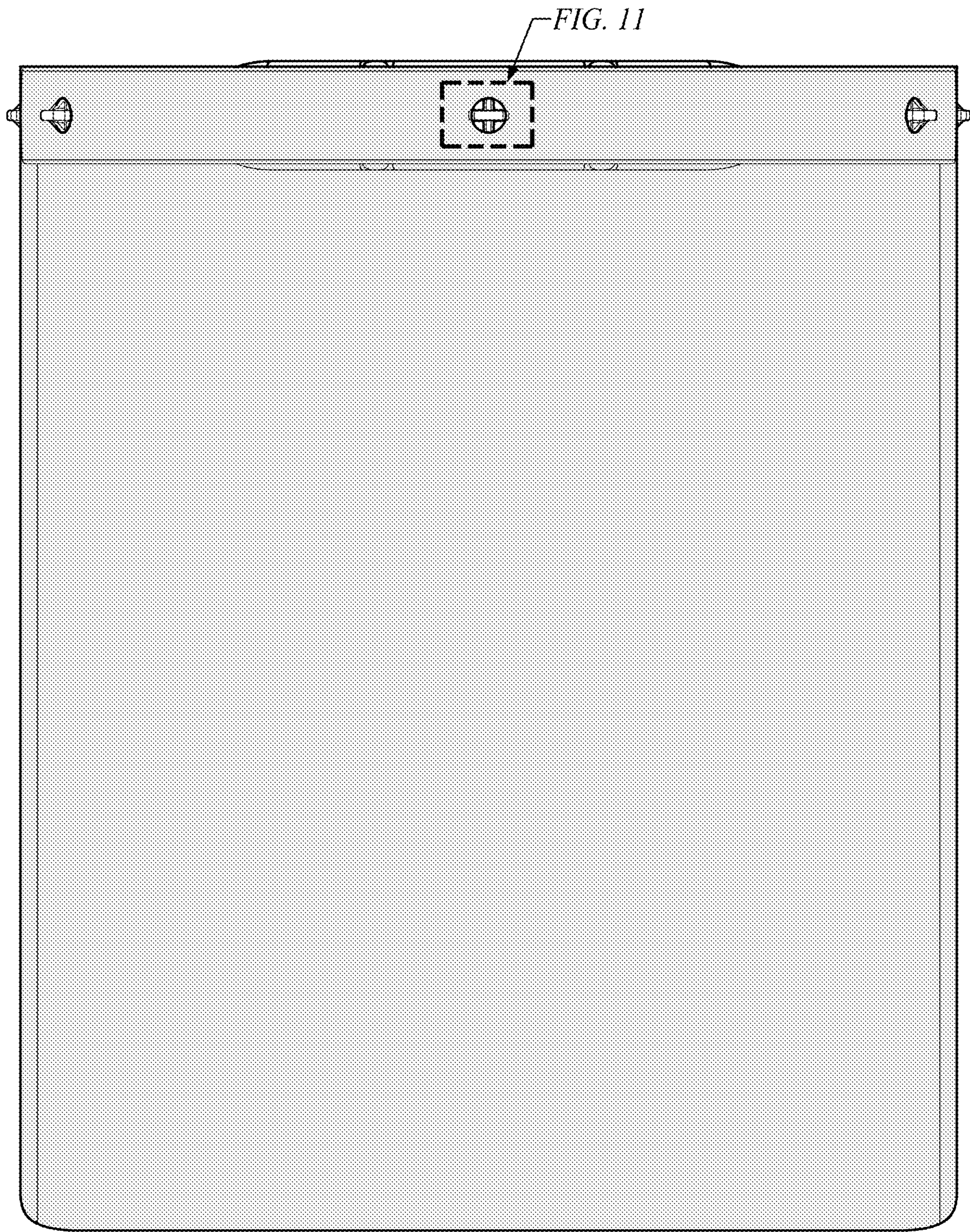


FIG. 5

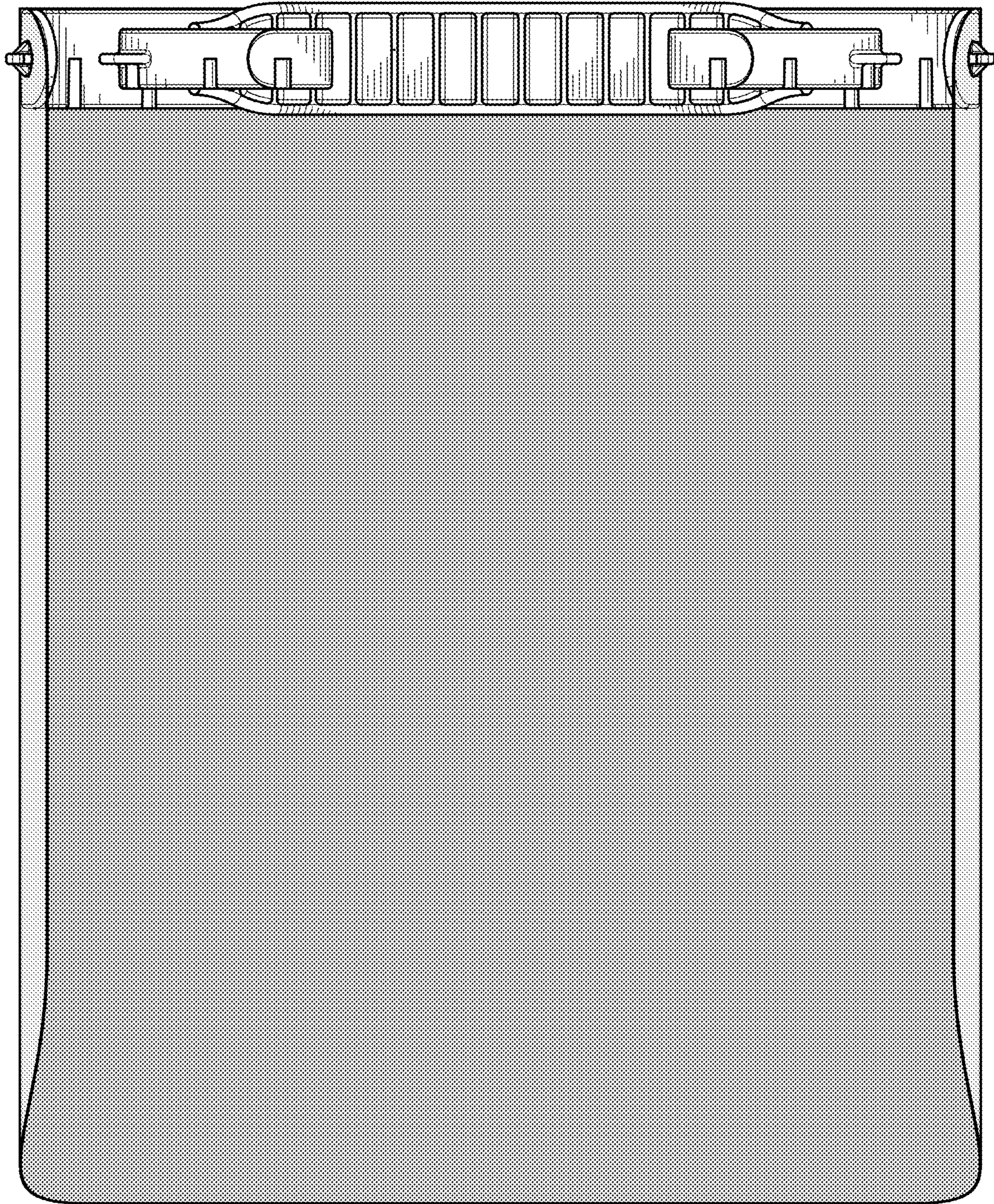


FIG. 6

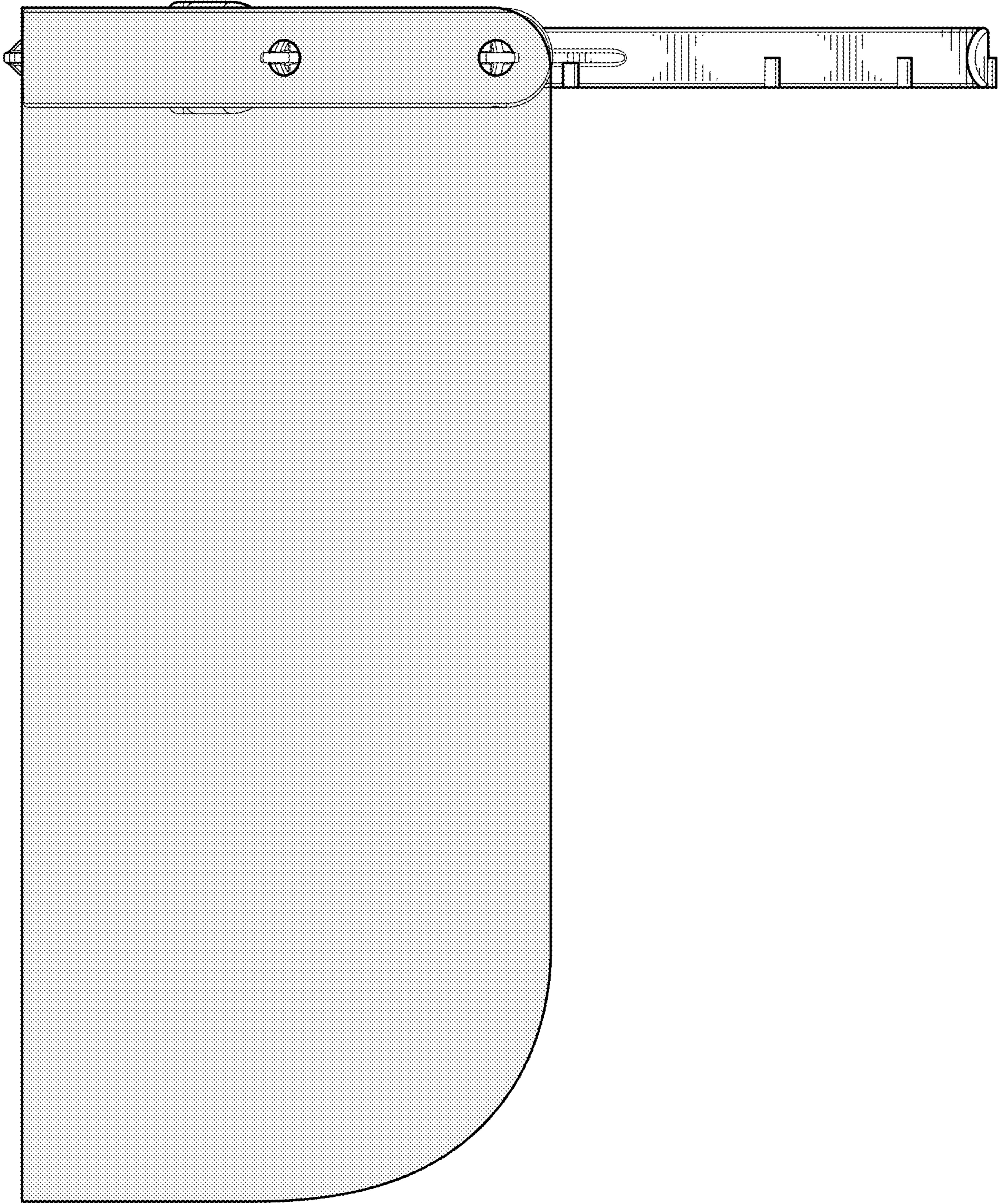


FIG. 7

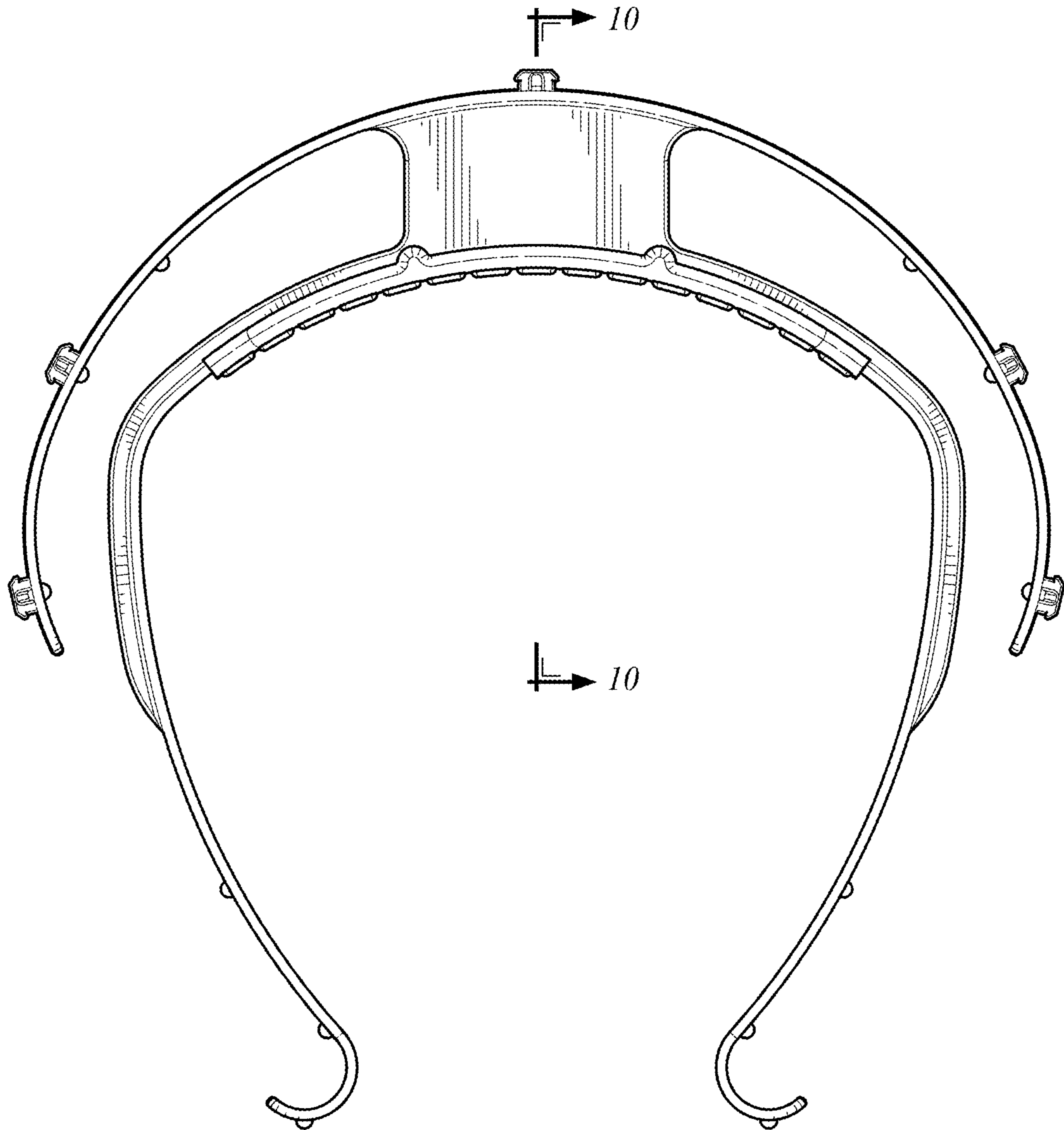


FIG. 8

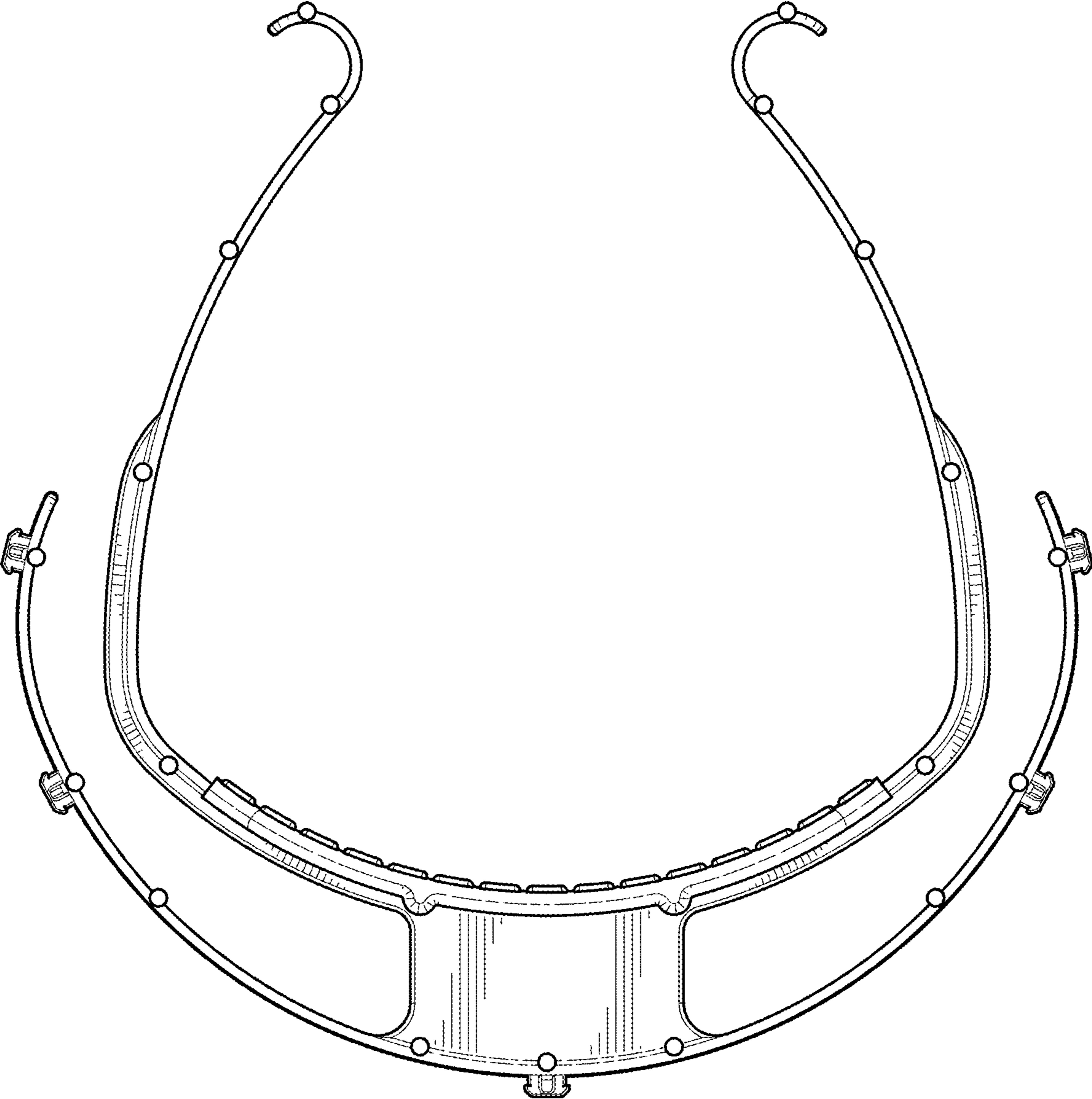


FIG. 9

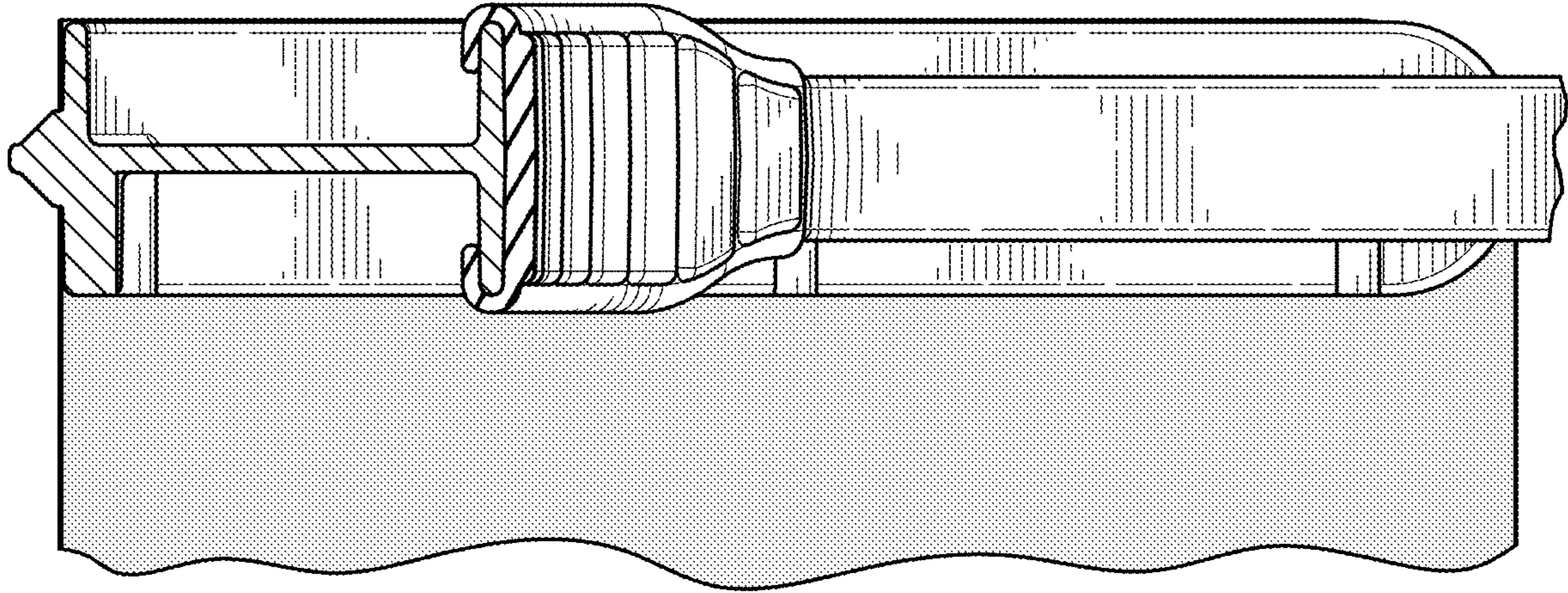


FIG. 10

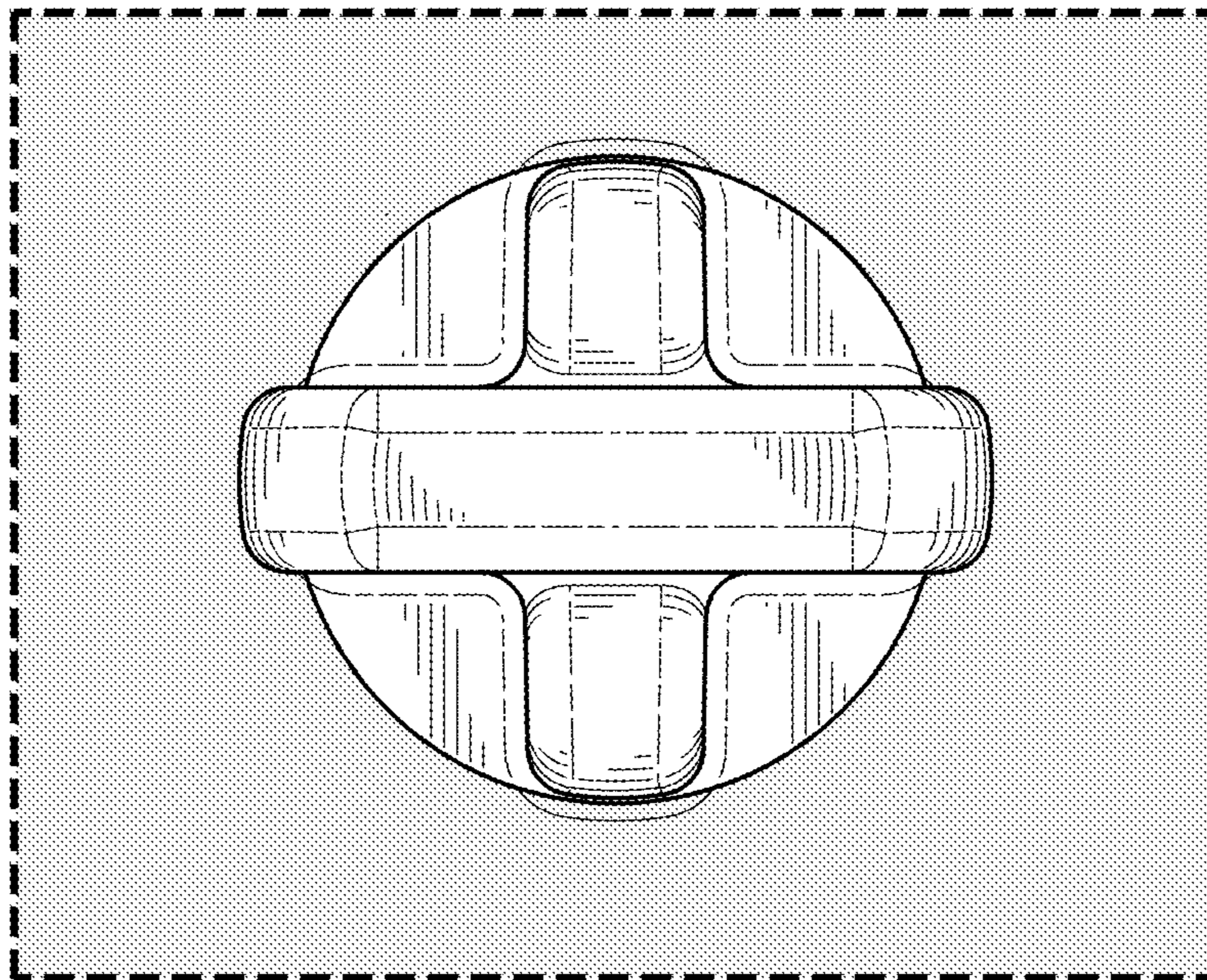


FIG. 11

FIG. 12

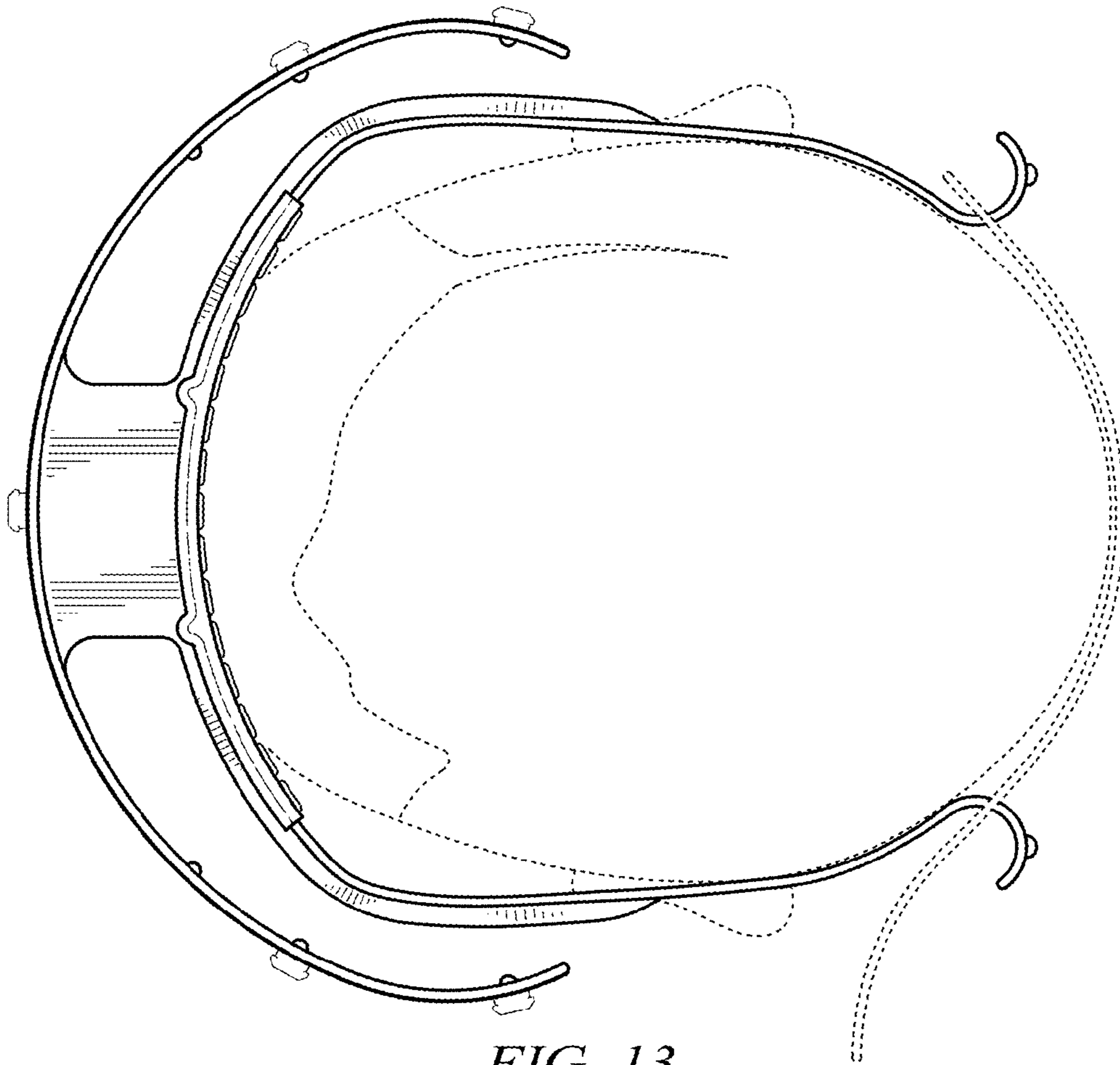
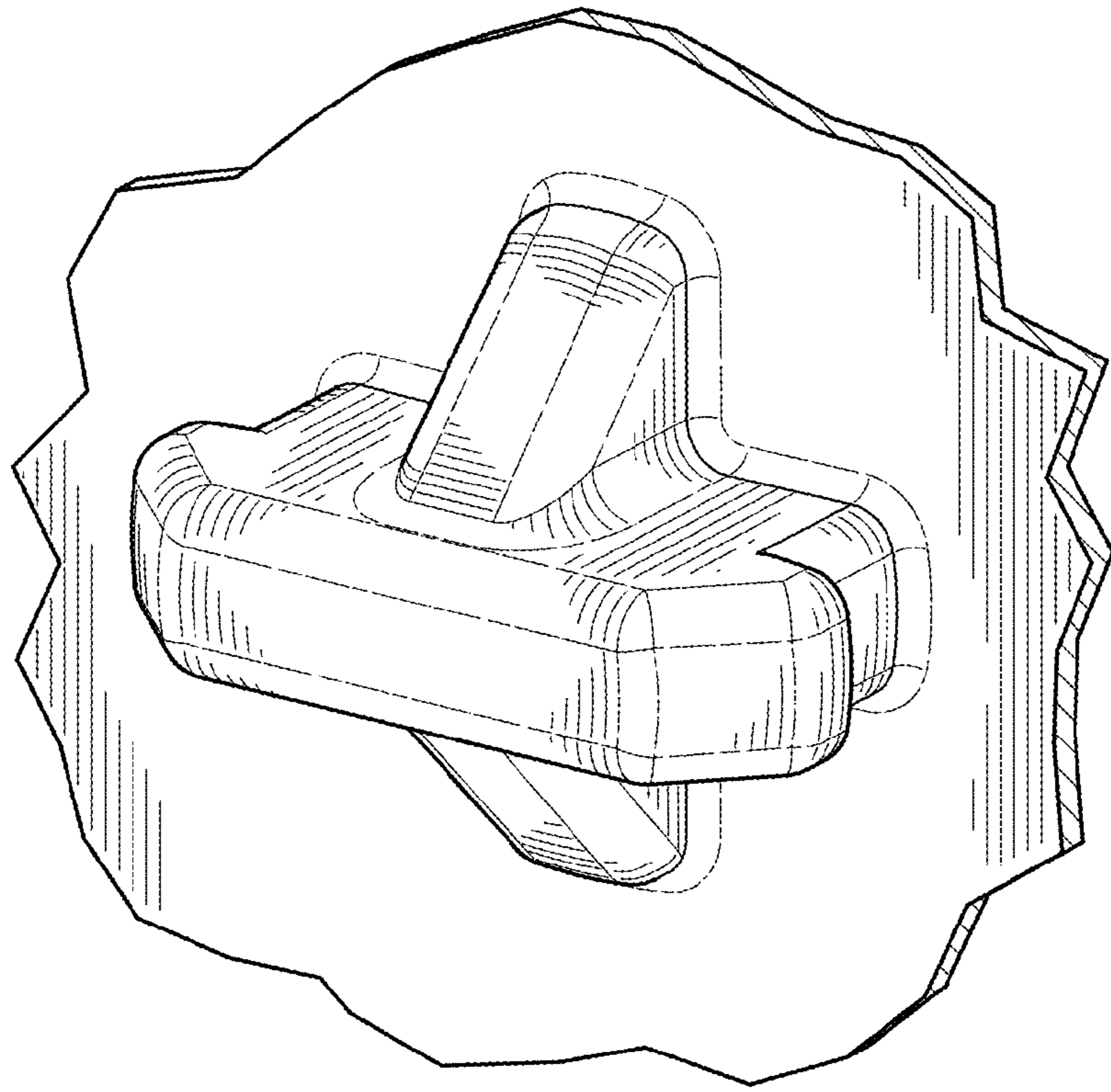


FIG. 13