



US00D970125S

(12) **United States Design Patent** (10) **Patent No.:** **US D970,125 S**
Kim et al. (45) **Date of Patent:** **** Nov. 15, 2022**

(54) **AIR PURIFIER MASK BODY**

FOREIGN PATENT DOCUMENTS

(71) Applicant: **LG ELECTRONICS INC.**, Seoul (KR)

CN 304372001 * 11/2017
CN 304555444 * 3/2018
JP D1584127 * 8/2017

(72) Inventors: **Byeongwook Kim**, Seoul (KR);
Dongsoo Kim, Seoul (KR)

OTHER PUBLICATIONS

(73) Assignee: **LG ELECTRONICS INC.**, Seoul (KR)

Ranksing_Strong-AX Reusable Dust Half Respirator, available in Amazon.com, date first available May 12, 2020 [online], [site visited Apr. 25, 2022], Available from the internet URL: https://www.amazon.com/dp/B088HH9GBL/ref=cm_sw_em_r_mt_dp_WGTDMSJKAKZ01HCM0BK2 (Year: 2020).*

(**) Term: **15 Years**

(21) Appl. No.: **29/752,005**

Primary Examiner — Jennifer L Rempfer

(22) Filed: **Sep. 24, 2020**

Assistant Examiner — Elizabeth Anne Glassberg

(30) **Foreign Application Priority Data**

(74) *Attorney, Agent, or Firm* — Birch, Stewart, Kolasch & Birch, LLP

Jun. 9, 2020 (KR) 30-2020-0025715

(51) **LOC (13) Cl.** **29-02**

(52) **U.S. Cl.**
USPC **D29/108**

(58) **Field of Classification Search**
USPC D2/866; D24/110.1, 110.2, 127;
D29/105, 107, 108, 110, 129
CPC A41D 13/11; A41D 13/1107; A41D
13/1161; A42B 3/225
See application file for complete search history.

(57) **CLAIM**

The ornamental design for a air purifier mask body, as shown and described.

(56) **References Cited**

DESCRIPTION

U.S. PATENT DOCUMENTS

D564,089 S * 3/2008 Chandran D24/110.4
D640,011 S * 6/2011 Teng D29/108
D669,576 S * 10/2012 Smart D24/110.1
9,510,626 B2 * 12/2016 Blomberg A62B 18/10
D811,582 S * 2/2018 Moulton D24/110.1
D820,432 S * 6/2018 Scheiner D24/110
D849,235 S * 5/2019 Siew D24/110.1
D908,205 S * 1/2021 Hwang D24/110.1
D925,725 S * 7/2021 Kim D24/110.1

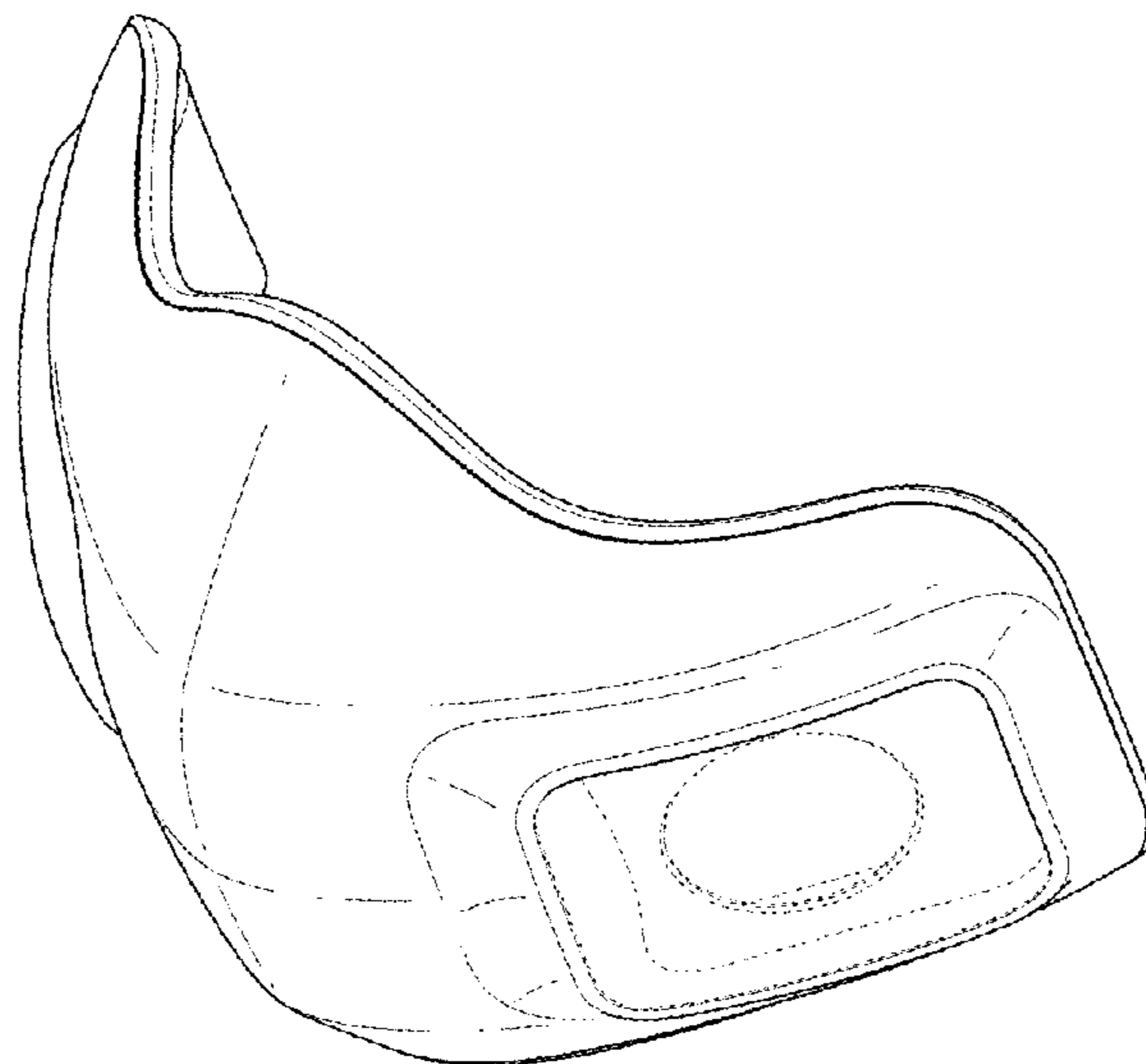
FIG. 1 is a front, right side, perspective view of a air purifier mask body showing our new design;
FIG. 2 is a front view thereof;
FIG. 3 is a rear view thereof;
FIG. 4 is a left side view thereof;
FIG. 5 is a right side view thereof;
FIG. 6 is a top view thereof;
FIG. 7 is a bottom view thereof; and,
FIG. 8 is a reference view showing an exploded perspective view in which filters and sealer parts are combined in the body.

The broken lines indicate portions of the article that form no part of the claimed design.

The broken lines showing of the portion of filters and sealer parts in FIG. 8 are for the purpose of illustrating environmental structure and form no part of the claimed design.

(Continued)

1 Claim, 8 Drawing Sheets



(56)

References Cited

U.S. PATENT DOCUMENTS

D925,726 S * 7/2021 Kim D24/110.1
D925,727 S * 7/2021 Kim D24/110.1
D958,966 S * 7/2022 Schwartz D29/108
D959,643 S * 8/2022 Kim D29/108
2002/0195109 A1* 12/2002 Mittelstadt F16K 15/16
128/205.24
2010/0313891 A1* 12/2010 Veliss A61M 16/0622
128/206.26
2016/0001101 A1* 1/2016 Sabolis A62B 18/02
128/863
2018/0008848 A1* 1/2018 Moulton A41D 13/1138
2018/0236276 A1* 8/2018 Moon A61M 16/0683
2020/0221796 A1* 7/2020 Moon A62B 9/04
2020/0282166 A1* 9/2020 Moulton A62B 18/08
2021/0370108 A1* 12/2021 Duval A62B 23/025
2022/0016298 A1* 1/2022 Harder A62B 18/025
2022/0072345 A1* 3/2022 Viles A62B 18/025

* cited by examiner

Fig. 1

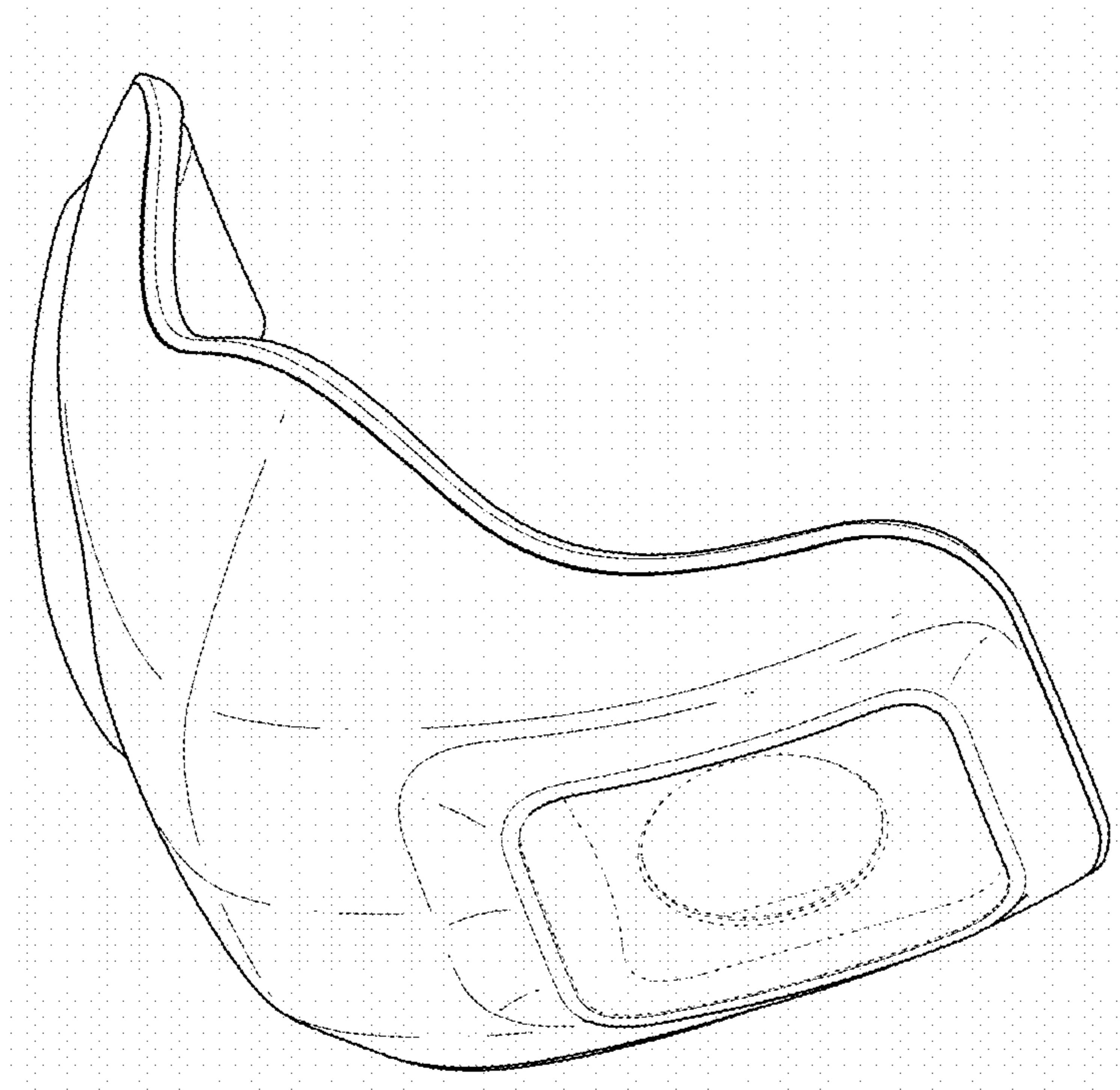


Fig. 2

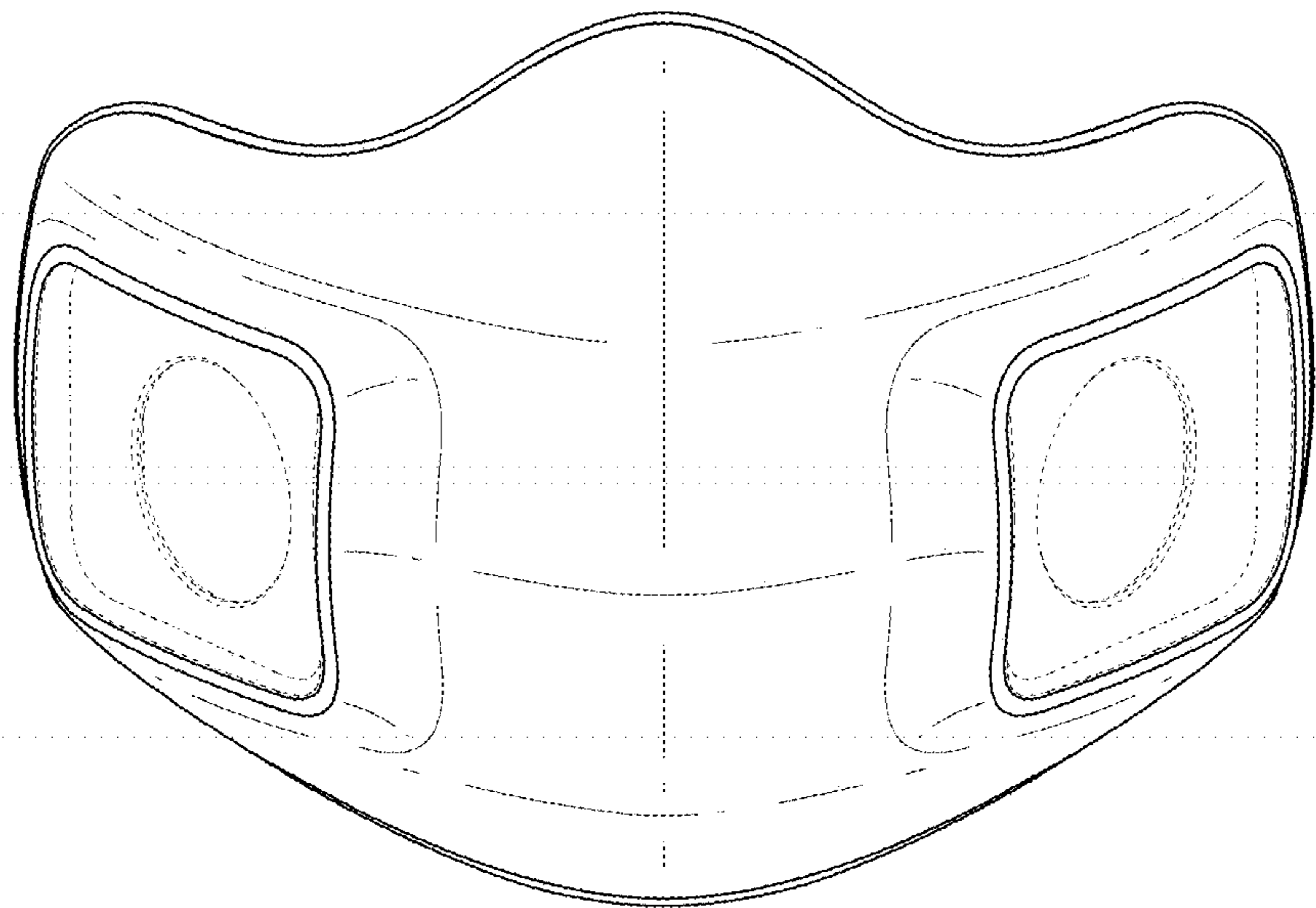


Fig. 3

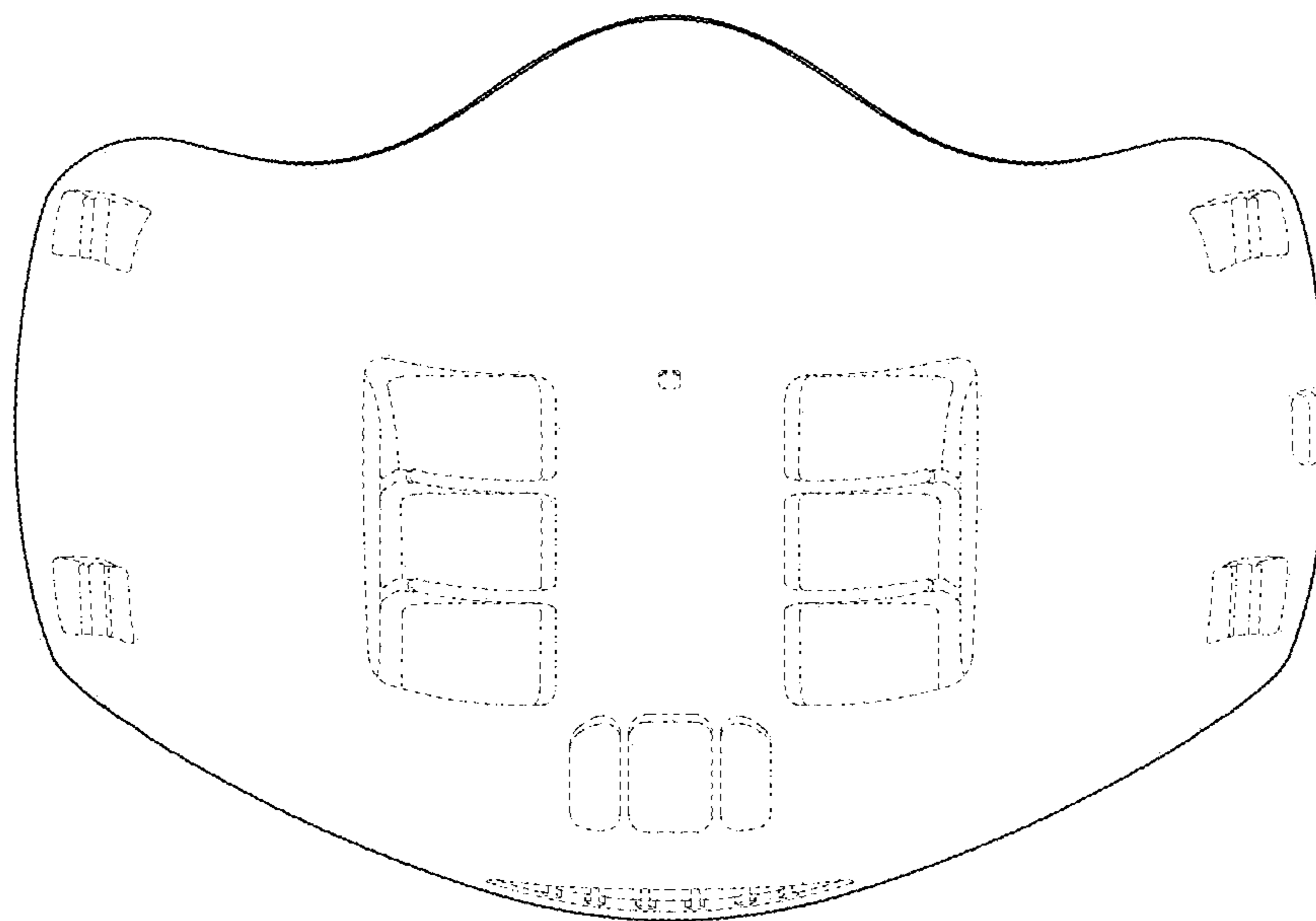


Fig. 4

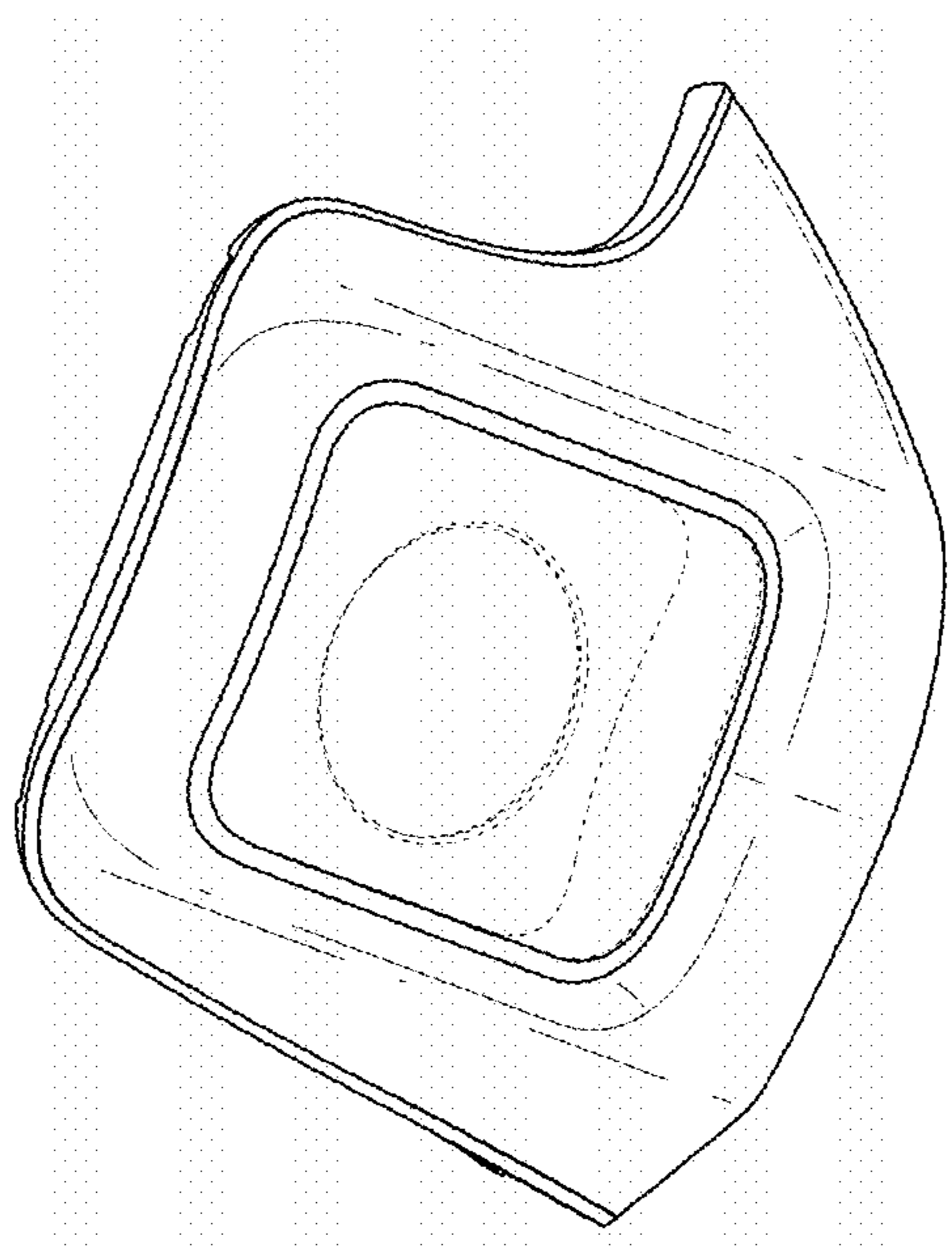


Fig. 5

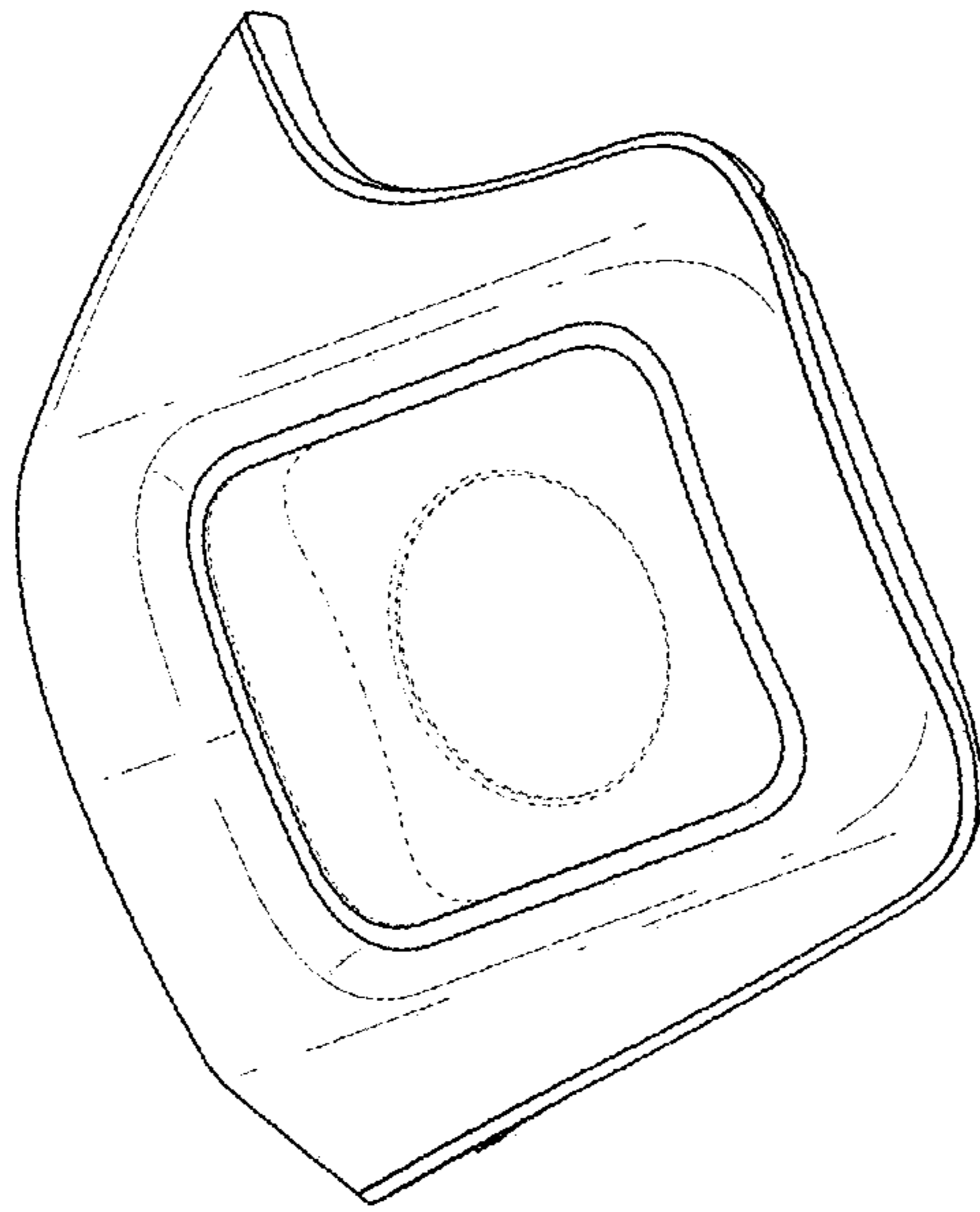


Fig. 6

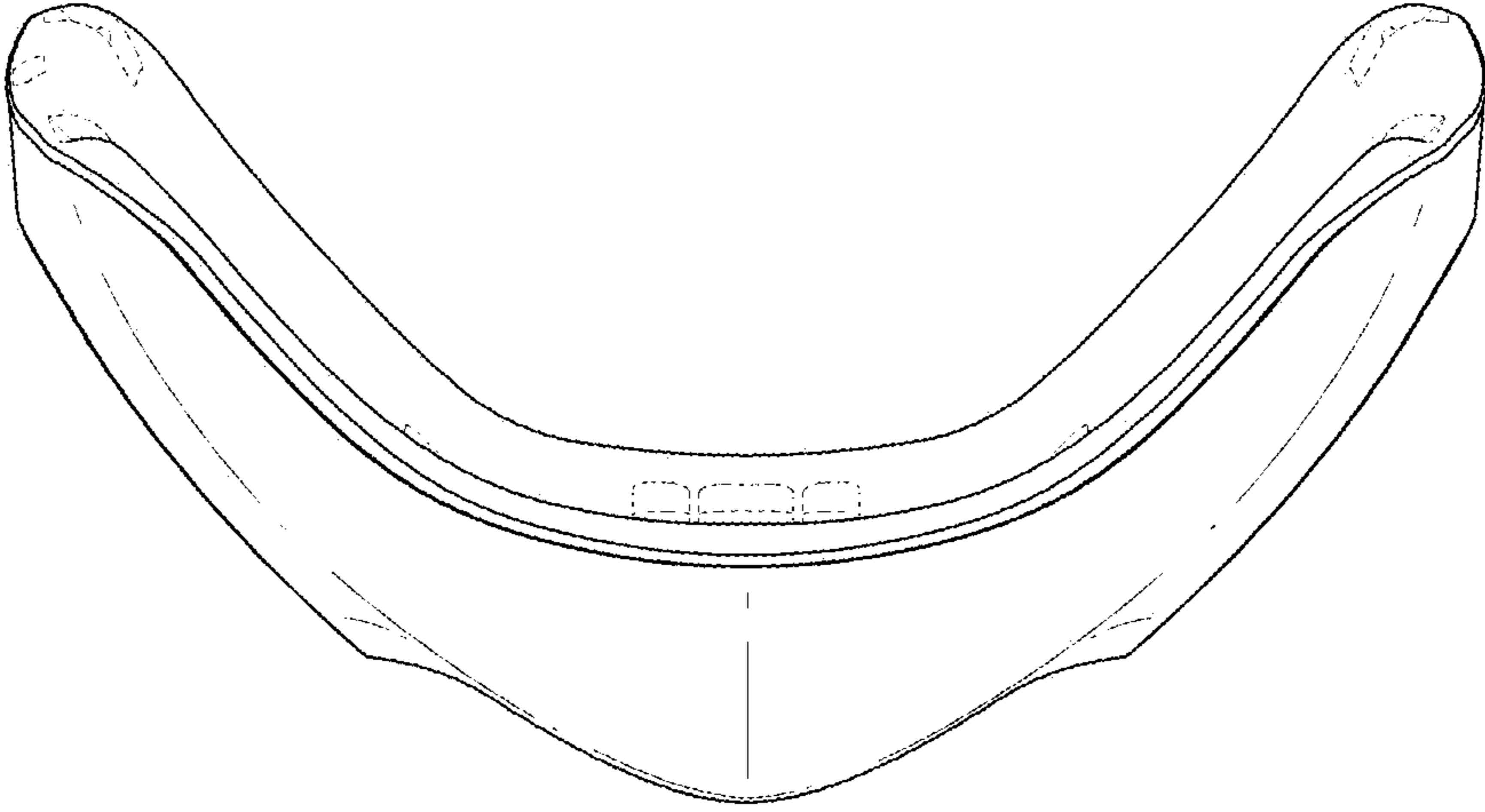


Fig. 7

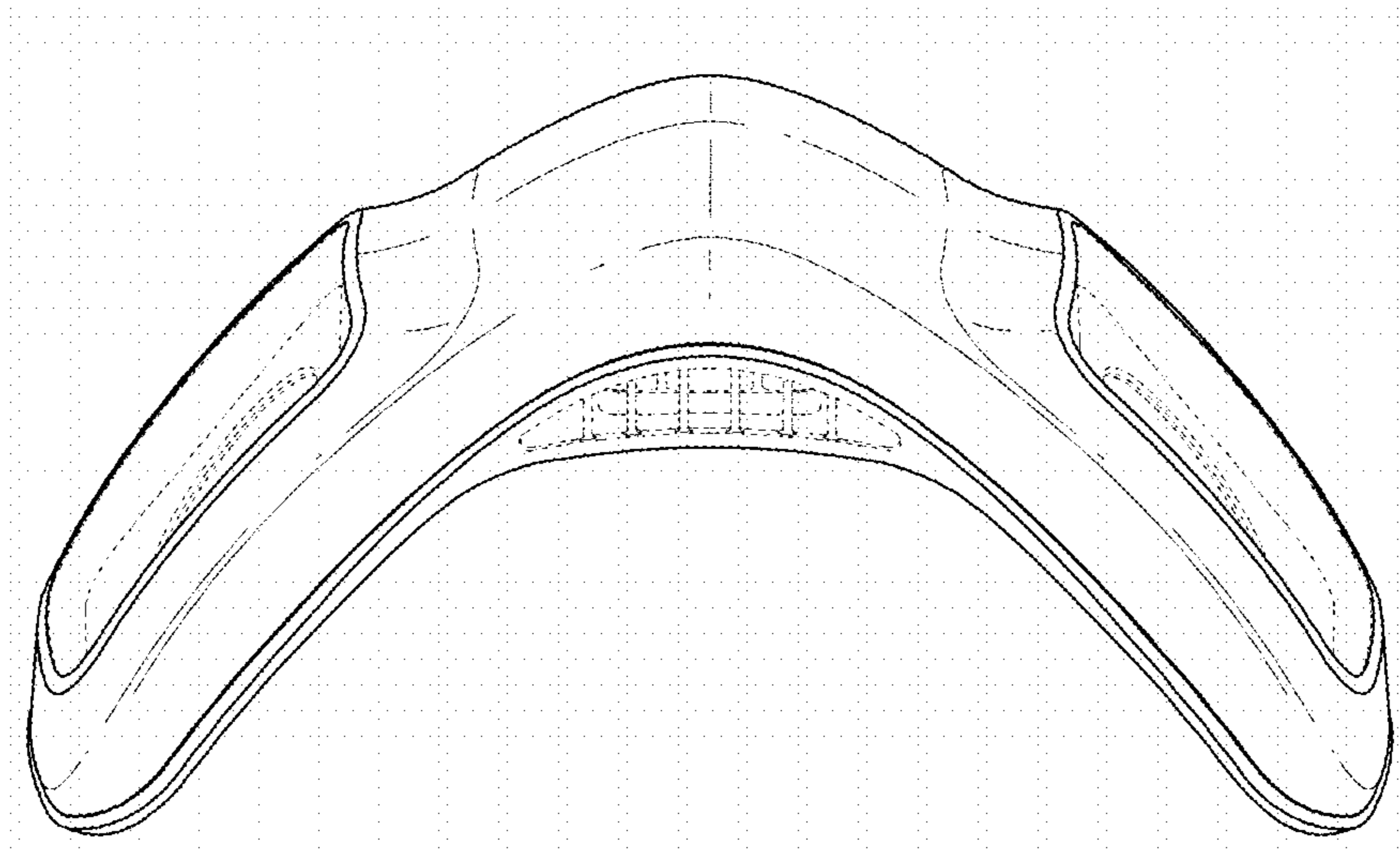


Fig. 8

