



US00D970117S

(12) **United States Design Patent** (10) **Patent No.:** **US D970,117 S**  
**Lambrecht et al.** (45) **Date of Patent:** **\*\* Nov. 15, 2022**

(54) **HAIR CLIPPER ATTACHMENT COMB**  
(71) Applicant: **WAHL GmbH**, Unterkirnach (DE)  
(72) Inventors: **Sven Lambrecht**,  
Villingen-Schwenningen (DE); **Roberto Krause**, Villingen (DE)  
(73) Assignee: **WAHL GMBH**, Unterkirnach (DE)  
(\*\*) Term: **15 Years**  
(21) Appl. No.: **29/755,101**

D813,459 S \* 3/2018 Sinnott ..... D28/54  
10,293,500 B1 \* 5/2019 Baker ..... B26B 19/22  
10,377,049 B2 \* 8/2019 Whittaker ..... B26B 19/3813  
2008/0005908 A1 \* 1/2008 Melton ..... A45D 24/36  
30/233.5  
2009/0019706 A1 \* 1/2009 Werner ..... B26B 19/3813  
30/233.5  
2009/0113722 A1 \* 5/2009 Werner ..... B26B 19/20  
30/200  
2011/0061243 A1 \* 3/2011 Smit ..... B26B 19/20  
30/233.5  
2014/0352158 A1 \* 12/2014 McCambridge ..... B26B 19/20  
30/200  
2017/0266823 A1 \* 9/2017 Whittaker ..... B26B 19/20

(22) Filed: **Oct. 16, 2020**  
(30) **Foreign Application Priority Data**  
Apr. 20, 2020 (EM) ..... 007824685  
(51) **LOC (13) Cl.** ..... **28-03**  
(52) **U.S. Cl.**  
USPC ..... **D28/54**  
(58) **Field of Classification Search**  
USPC ..... D28/10, 21, 44-47, 51-54; D30/158,  
D30/159; D4/116, 136  
CPC ..... B26B 19/00; B26B 19/02; B26B 19/04;  
B26B 19/06; B26B 19/10; B26B 19/20;  
B26B 19/22; B26B 19/38; B26B 19/3806;  
B26B 21/00; B26B 21/22; B26B 21/40;  
B26B 21/4012; B26B 21/4018  
See application file for complete search history.

**FOREIGN PATENT DOCUMENTS**

CA 2582654 A1 \* 6/1999 ..... B26B 19/20  
\* cited by examiner

*Primary Examiner* — Jennifer Rivard  
*Assistant Examiner* — Alison M Ofstun  
(74) *Attorney, Agent, or Firm* — Millen, White, Zelano & Branigan, P.C.; William Nixon

(57) **CLAIM**

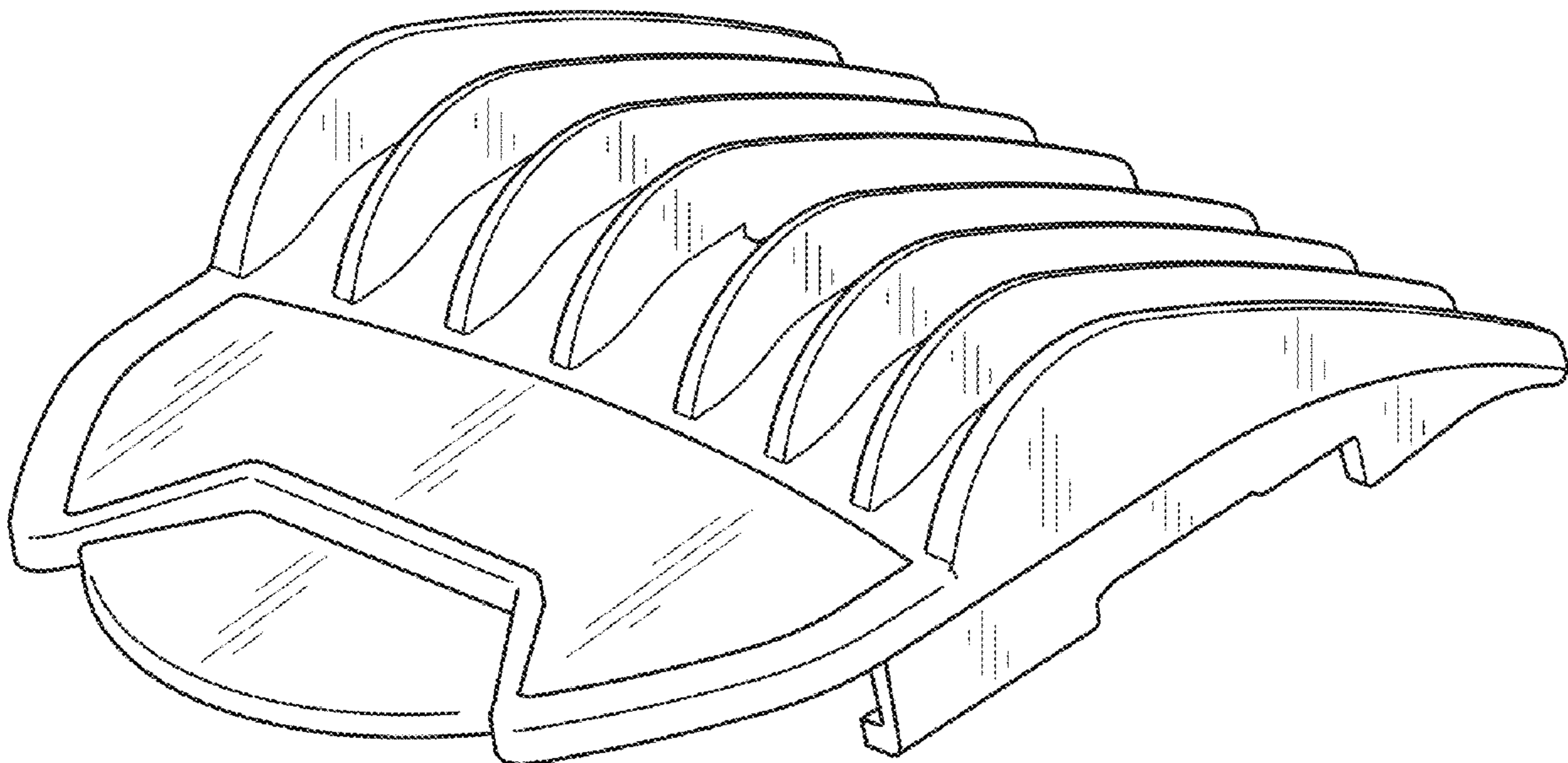
The ornamental design for a hair clipper attachment comb, as shown and described.

**DESCRIPTION**

FIG. 1 illustrates a front perspective view of a hair clipper attachment comb showing our new design; FIG. 2 illustrates a top plan view thereof; FIG. 3 illustrates a bottom plan view thereof; FIG. 4 illustrates a left side elevational view thereof; FIG. 5 illustrates a right side elevational view thereof; FIG. 6 illustrates a rear elevational view thereof; and, FIG. 7 illustrates a front elevational view thereof.

**1 Claim, 7 Drawing Sheets**

(56) **References Cited**  
U.S. PATENT DOCUMENTS  
5,937,526 A \* 8/1999 Wahl ..... B26B 19/20  
30/200  
D565,793 S \* 4/2008 Wallace ..... D28/54  
D748,862 S \* 2/2016 Aulwes ..... D28/54



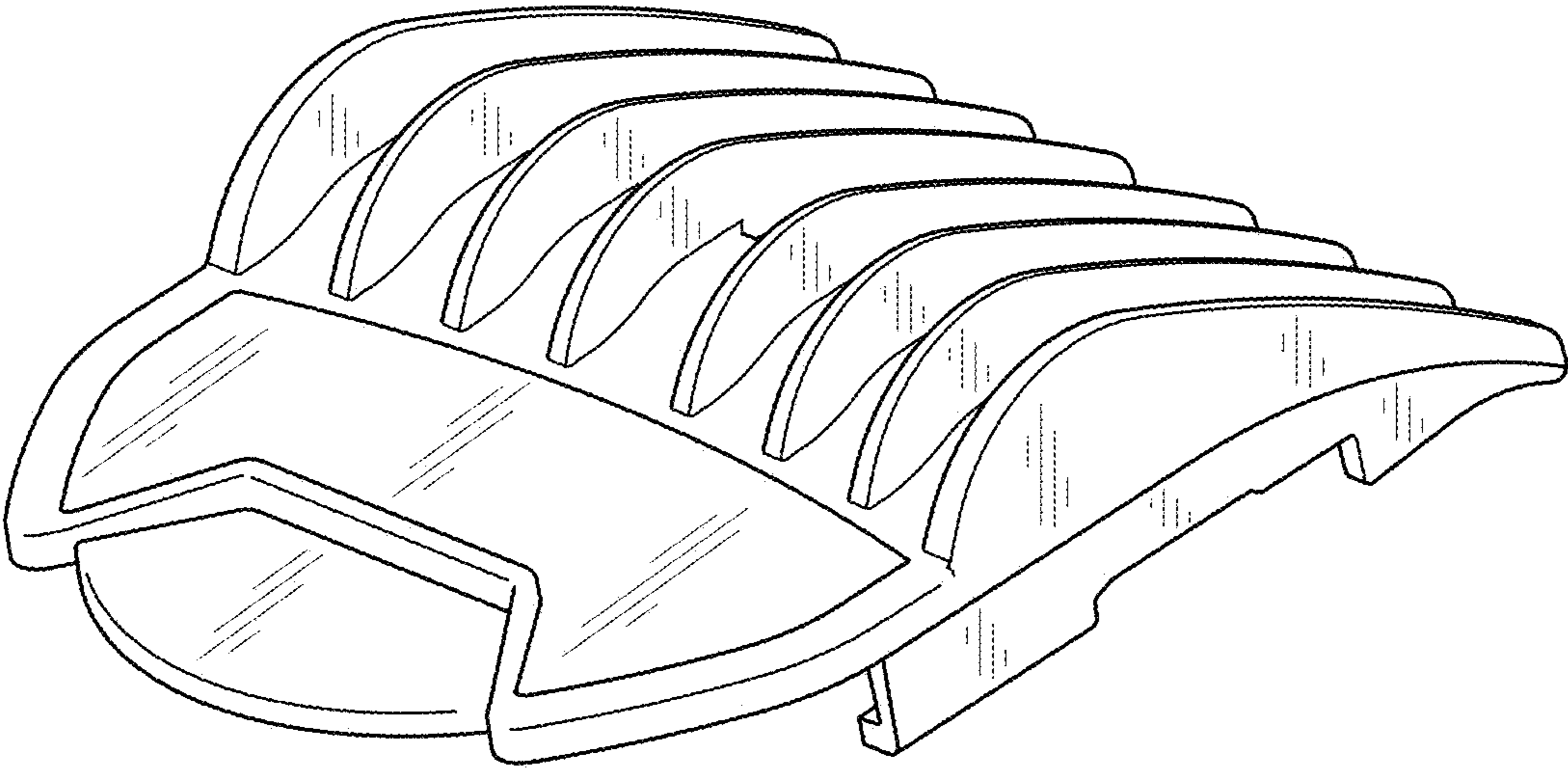


FIG. 1

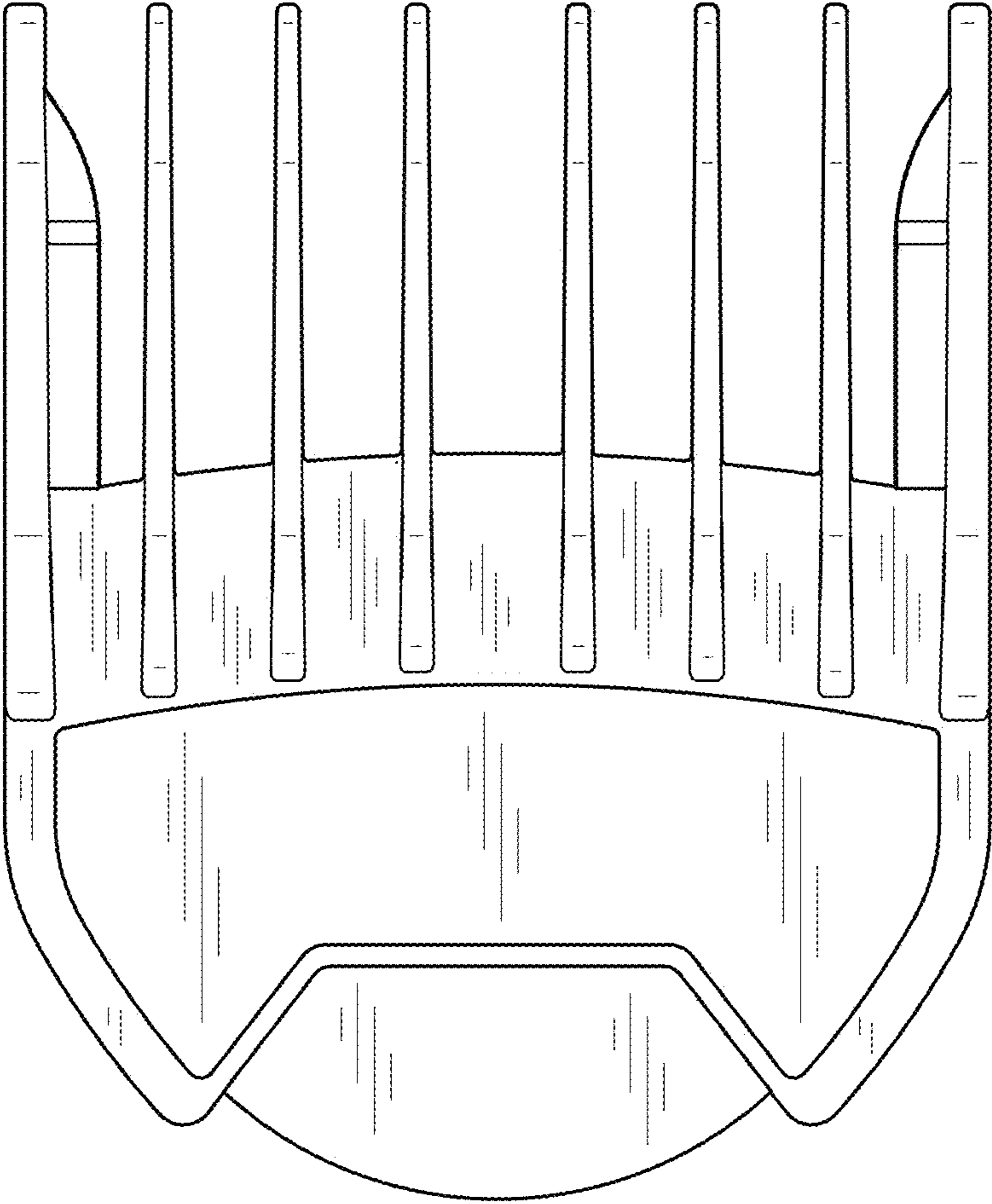


FIG. 2

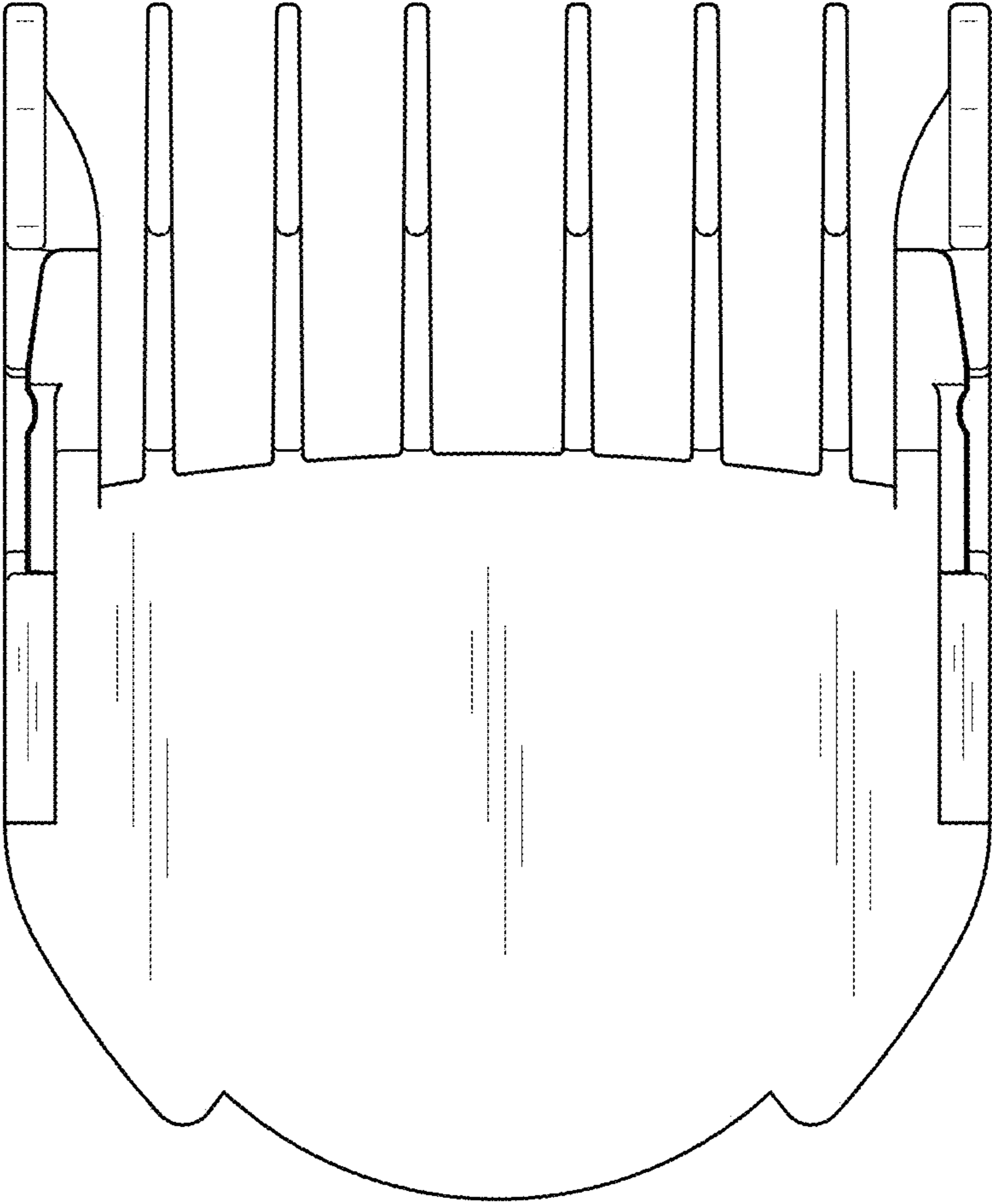


FIG. 3

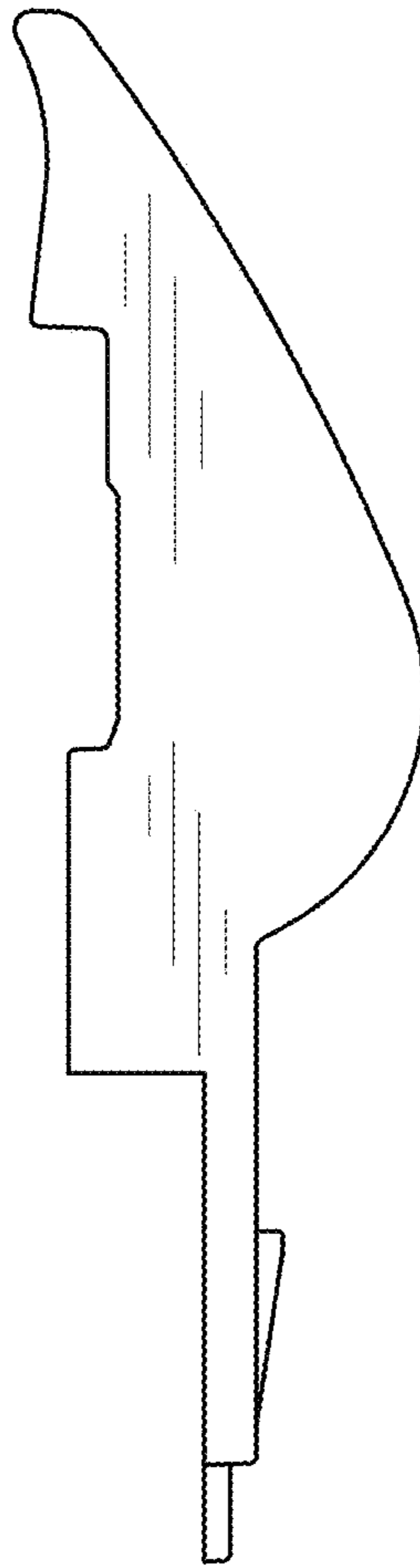


FIG. 4

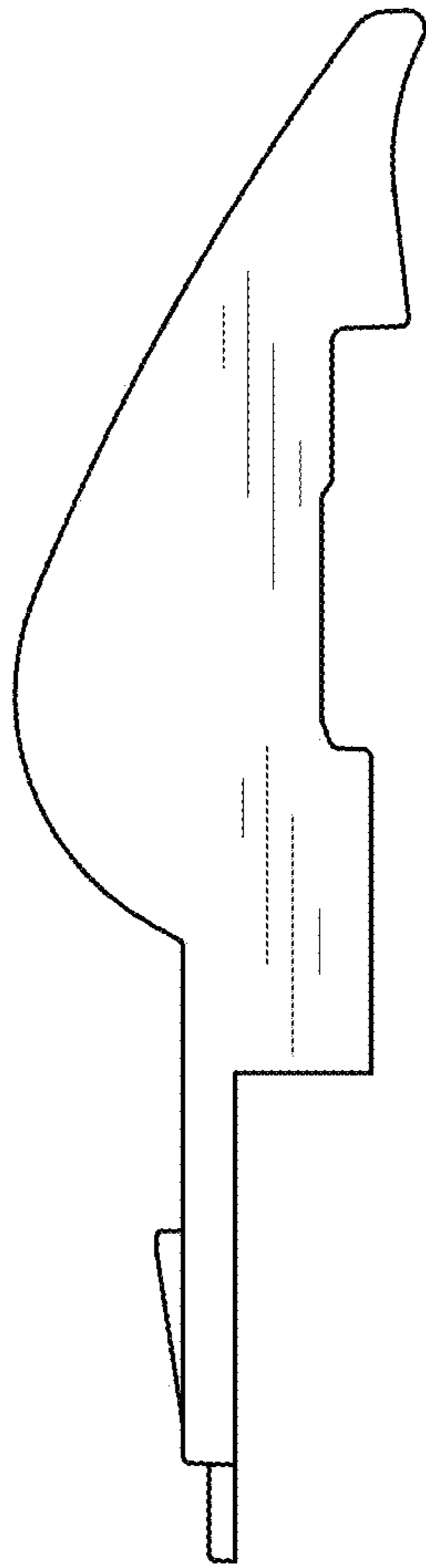


FIG. 5

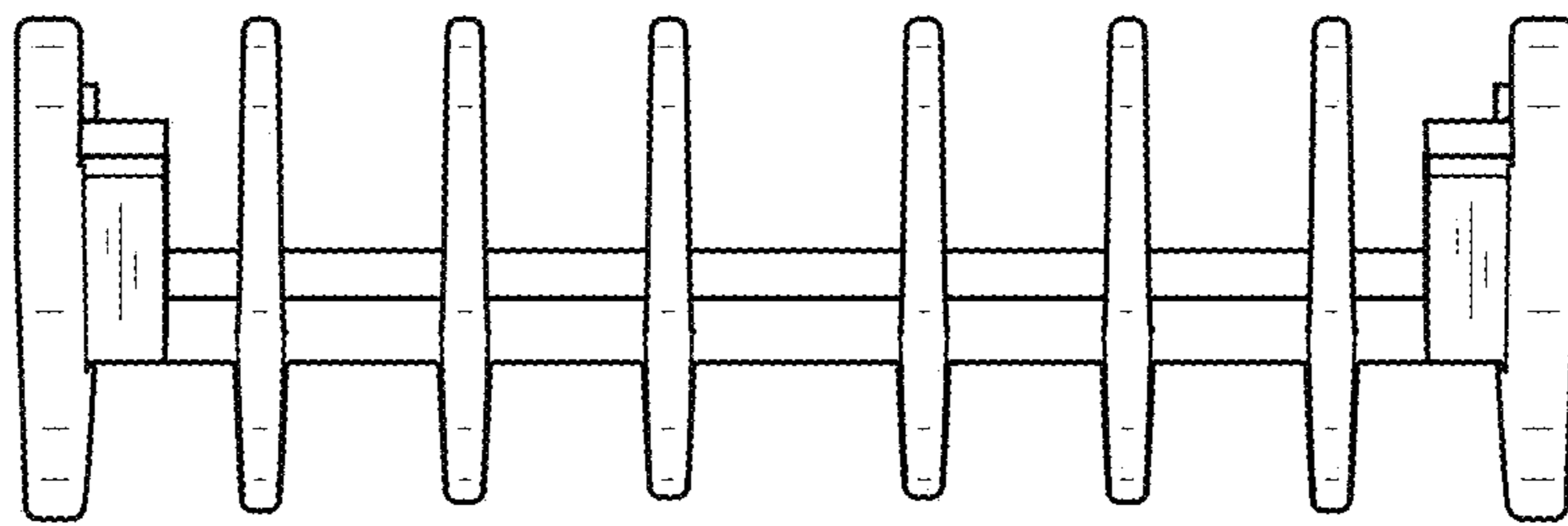


FIG. 6

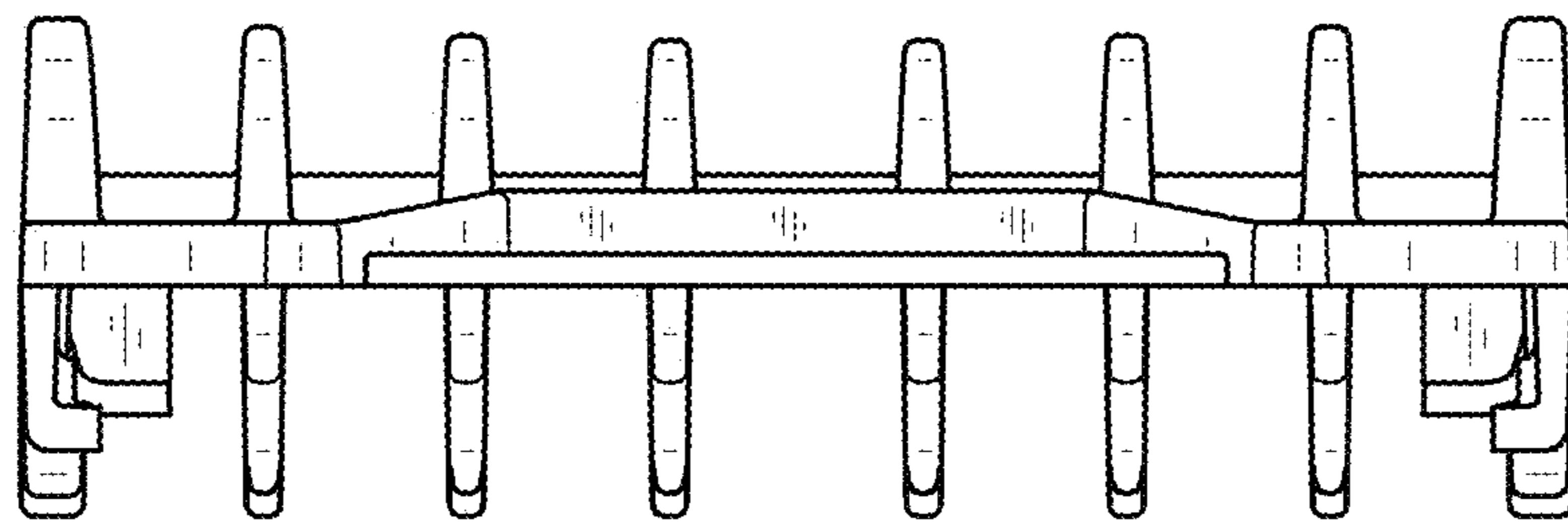


FIG. 7