



US00D970114S

(12) **United States Design Patent** (10) **Patent No.:** **US D970,114 S**
Prat-Pfister (45) **Date of Patent:** **** Nov. 15, 2022**

(54) **HANDLE FOR SHAVER**

(56) **References Cited**

(71) Applicant: **KONINKLIJKE PHILIPS N.V.**,
Eindhoven (NL)

U.S. PATENT DOCUMENTS

(72) Inventor: **Gael Louis Jacques Prat-Pfister**,
Amersfoort (NL)

D889,042	S	*	6/2020	Andersson	D28/50
D932,697	S	*	10/2021	Van Roosmalen	D28/50
D932,698	S	*	10/2021	Van Roosmalen	D28/50
D932,699	S	*	10/2021	Van Roosmalen	D28/50
D932,700	S	*	10/2021	Van Roosmalen	D28/50
D933,894	S	*	10/2021	Van Roosmalen	D28/50
D934,502	S	*	10/2021	Van Roosmalen	D28/50
D942,079	S	*	1/2022	Prat-Pfister	D28/50
D942,080	S	*	1/2022	Prat-Pfister	D28/50
D949,479	S	*	4/2022	Van Roosmalen	D28/50
D953,641	S	*	5/2022	Van Roosmalen	D28/50
D953,642	S	*	5/2022	Van Roosmalen	D28/50
D955,048	S	*	6/2022	Van Roosmalen	D28/50
D955,642	S	*	6/2022	Van Roosmalen	D28/50
D955,643	S	*	6/2022	Van Roosmalen	D28/50

(73) Assignee: **KONINKLIJKE PHILIPS N.V.**,
Eindhoven (NL)

(**) Term: **15 Years**

(21) Appl. No.: **29/823,104**

(22) Filed: **Jan. 14, 2022**

* cited by examiner

Related U.S. Application Data

(62) Division of application No. 29/700,486, filed on Aug. 2, 2019, now Pat. No. Des. 942,080.

Primary Examiner — Jennifer Rivard

(30) **Foreign Application Priority Data**

Feb. 4, 2019 (EM) 006156618

(51) **LOC (13) Cl.** **28-03**

(57) **CLAIM**

The ornamental design for a handle for shaver, as shown and described.

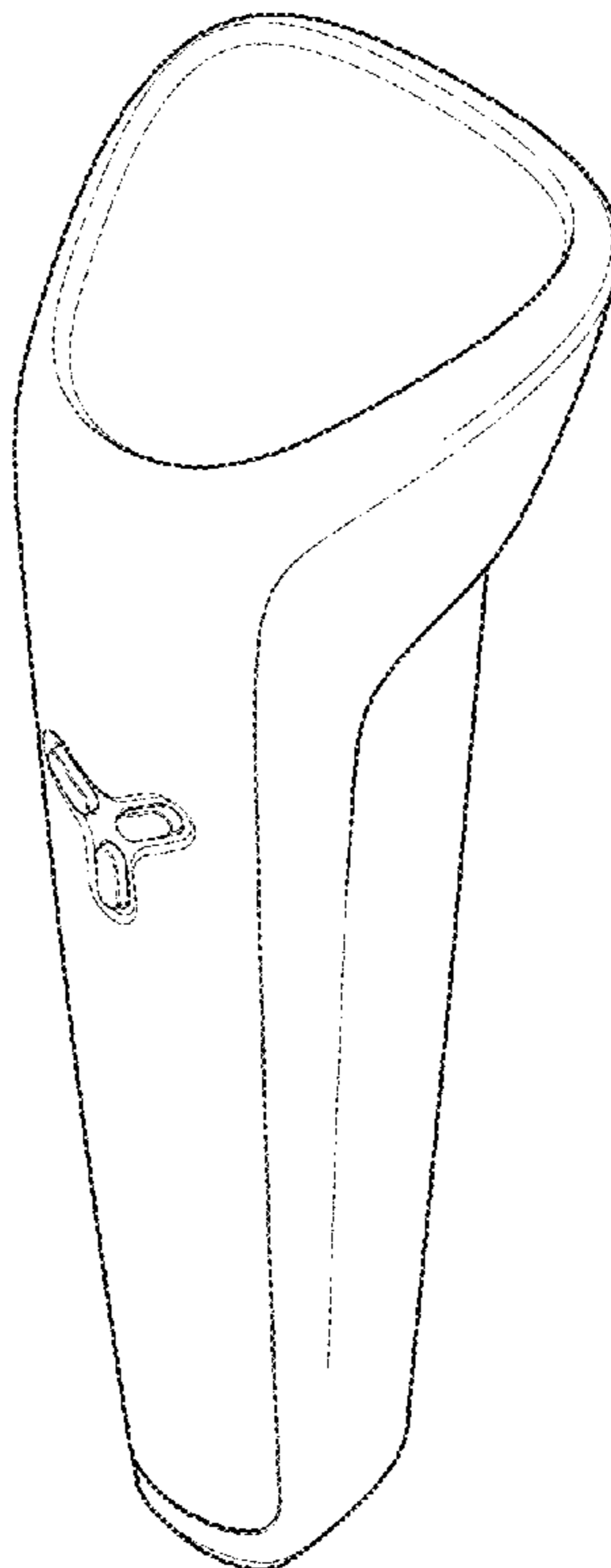
(52) **U.S. Cl.**
USPC **D28/50; D28/54**

DESCRIPTION

(58) **Field of Classification Search**
USPC D28/49–54
CPC B26B 19/14–18; B26B 19/38; B26B 19/3853–3893; B26B 19/3806–384
See application file for complete search history.

FIG. 1 is a perspective view showing my design;
FIG. 2 is a front elevational view thereof;
FIG. 3 is a rear elevational view thereof;
FIG. 4 is a right side elevational view thereof;
FIG. 5 is a left side elevational view thereof;
FIG. 6 is a top plan view thereof; and,
FIG. 7 is a bottom plan view thereof.

1 Claim, 4 Drawing Sheets



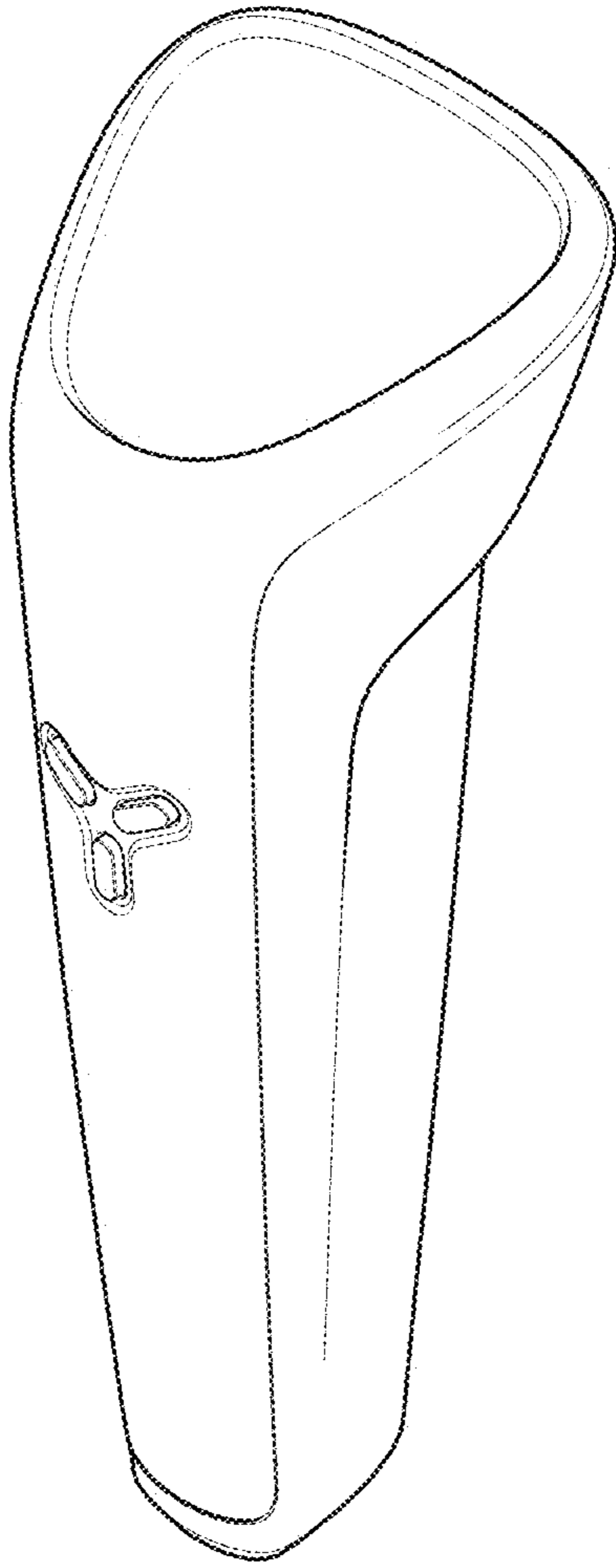


FIG. 1

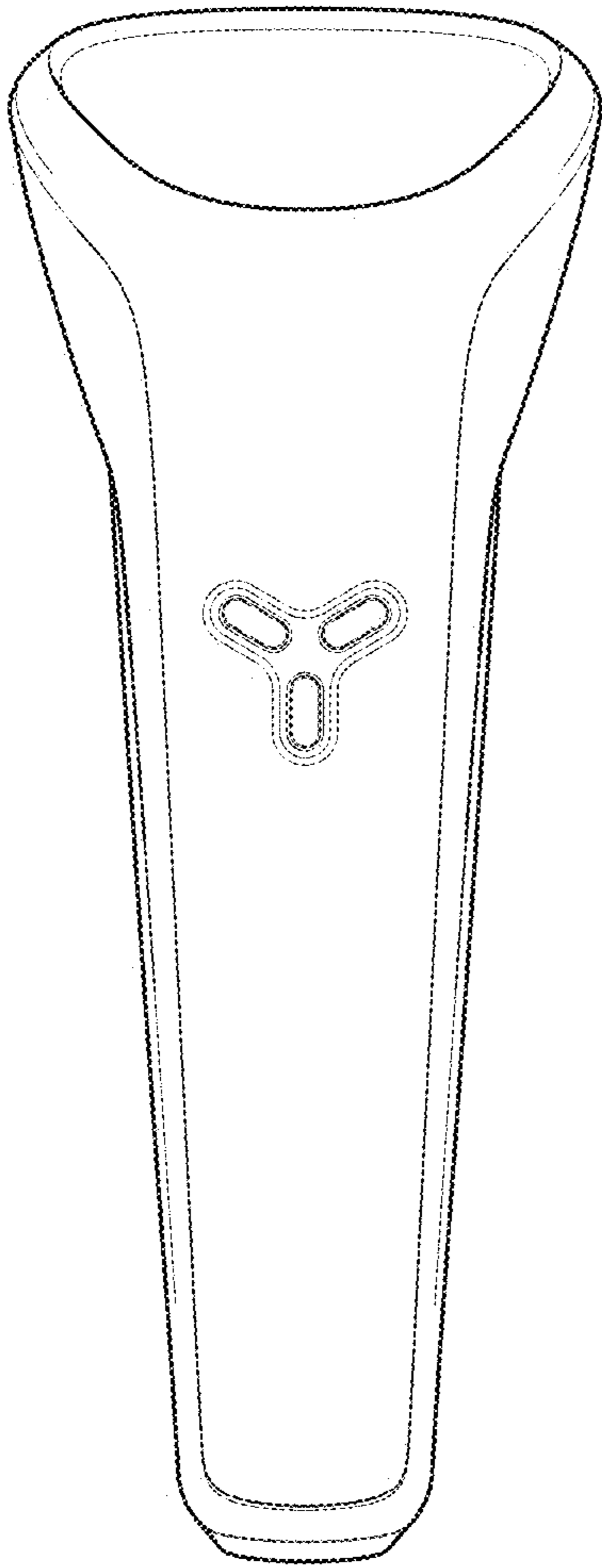


FIG. 2

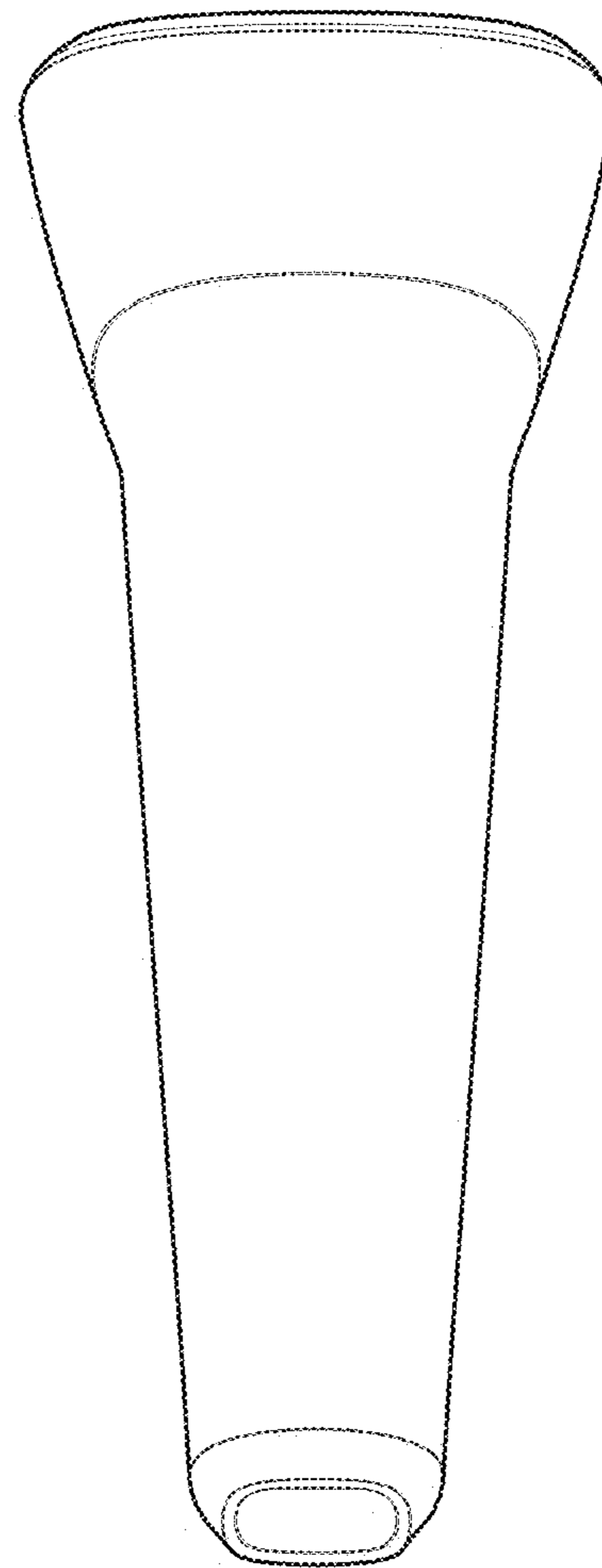


FIG. 3

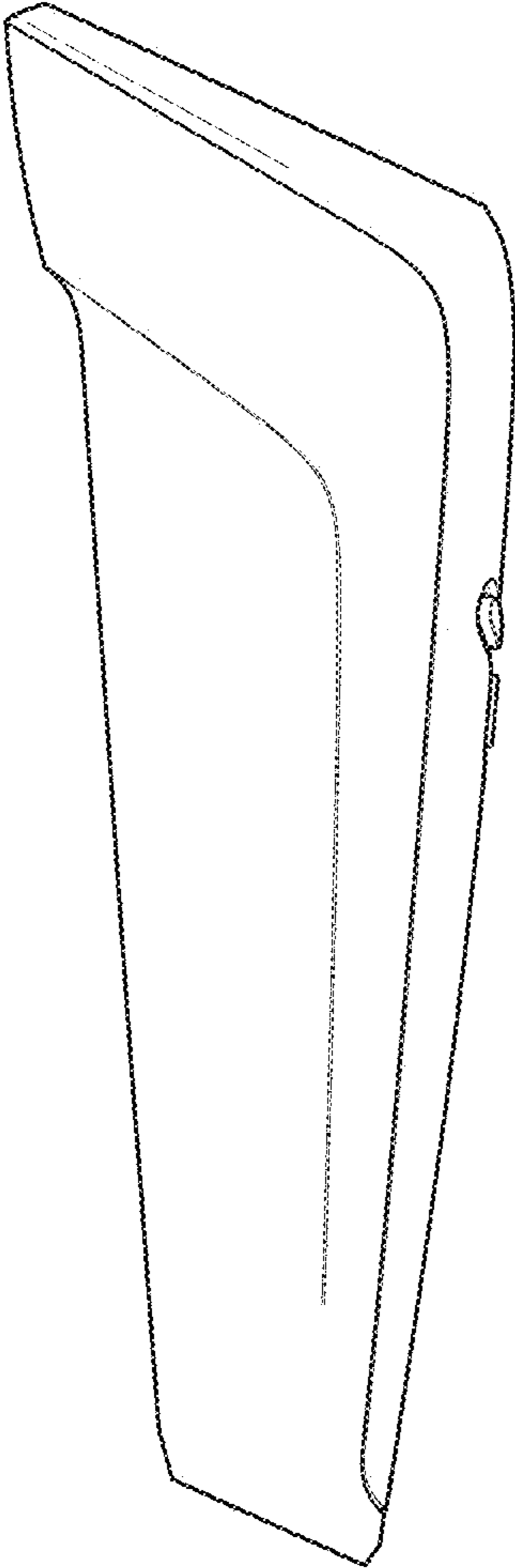


FIG. 4

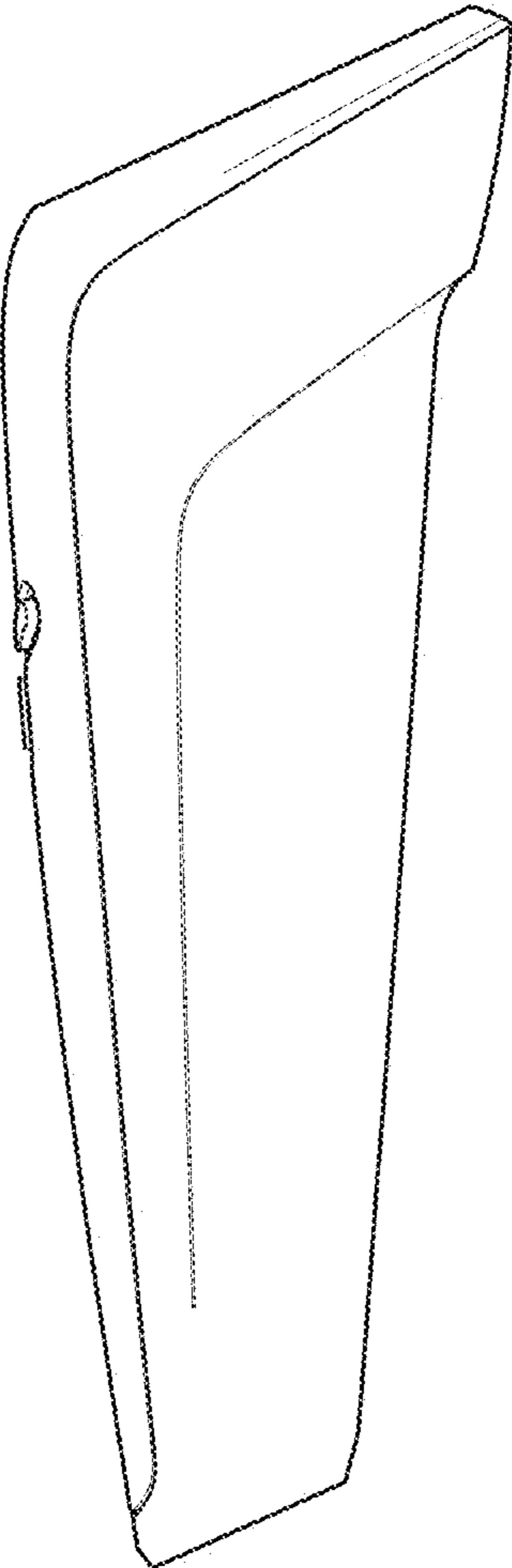


FIG. 5

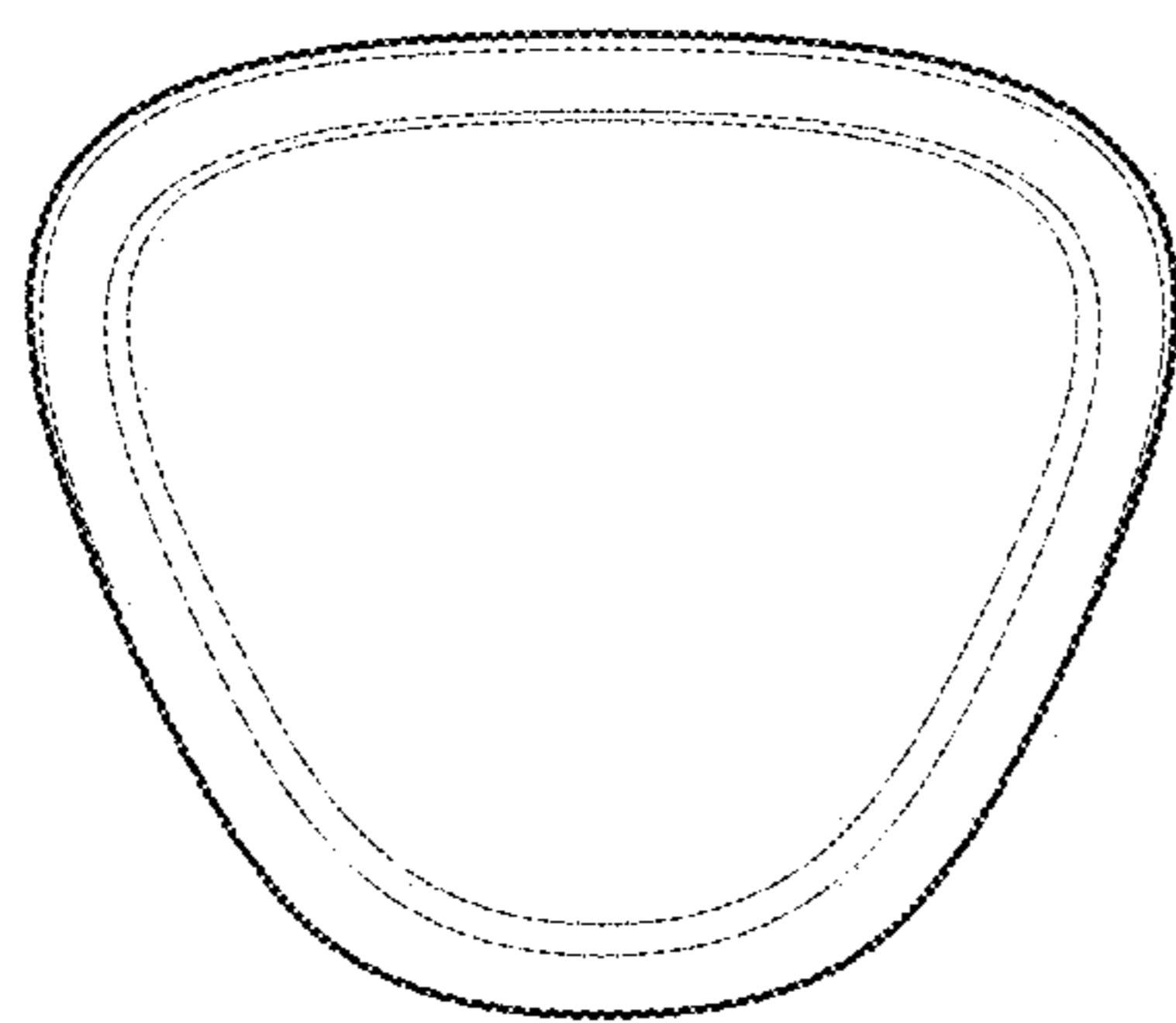


FIG. 6

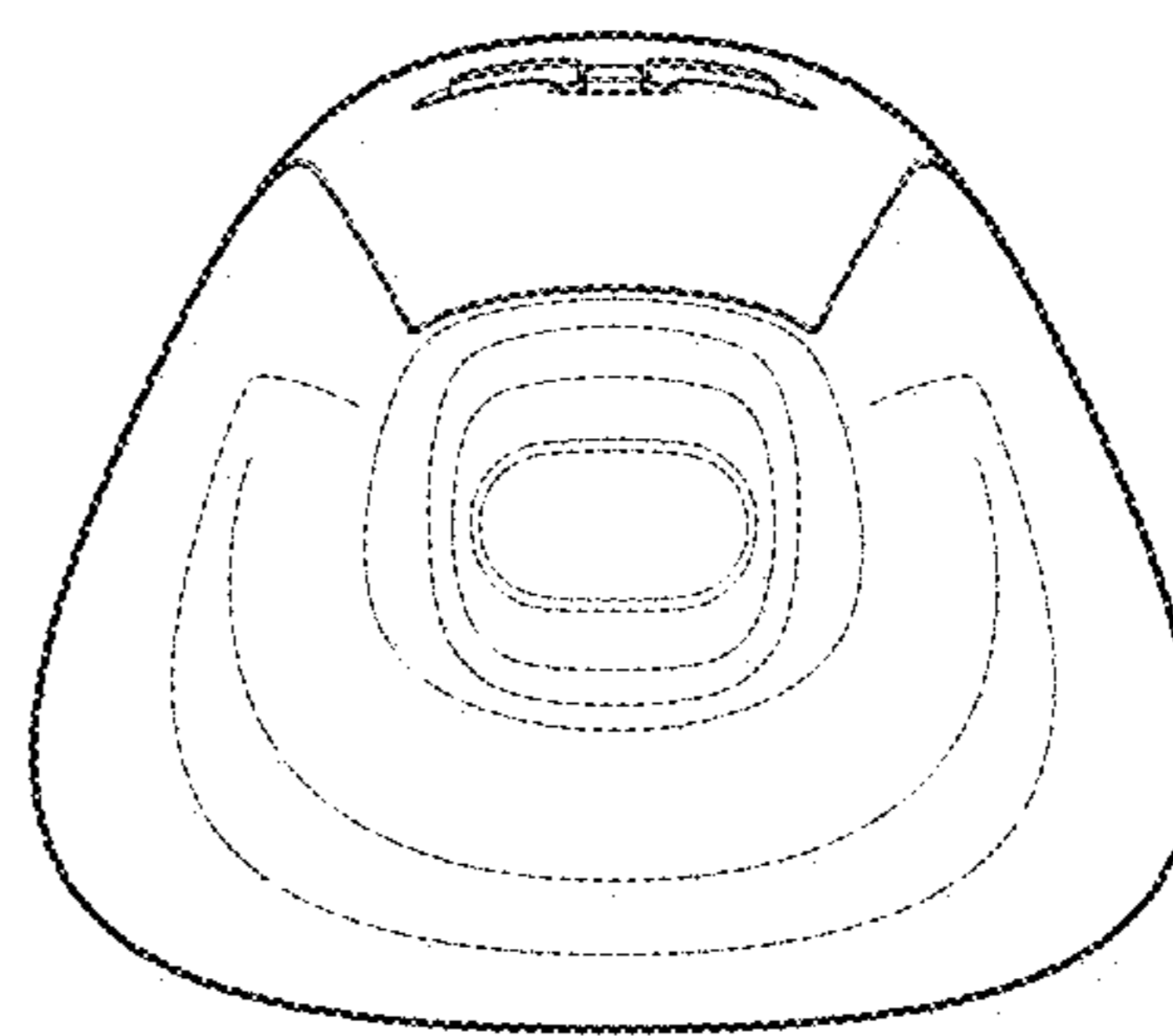


FIG. 7