



US00D970112S

(12) **United States Design Patent** (10) **Patent No.:** **US D970,112 S**
Van Roosmalen et al. (45) **Date of Patent:** **** Nov. 15, 2022**

(54) **HANDLE FOR SHAVER**

(56) **References Cited**

(71) Applicant: **KONINKLIJKE PHILIPS N.V.**,
Eindhoven (NL)
(72) Inventors: **Jos Van Roosmalen**, Amsterdam (NL);
Frank Verbrugge, Rosmalen (NL);
Jens Andersson, Amsterdam (NL);
Roel Krooshof, Bilthoven (NL); **Simon**
Van Anken, Amsterdam (NL); **Peter**
Gal, Amsterdam (NL); **Lieven**
Adriaenssen, Vilvoorde (BE); **Roshan**
Hakim, Amsterdam (NL); **Mingshuo**
Zhang, Amstelveen (NL)

U.S. PATENT DOCUMENTS

D758,014	S	*	5/2016	Smith	D28/50
D758,017	S	*	5/2016	Smith	D28/54
D777,375	S	*	1/2017	Frankel	D28/50
D777,376	S	*	1/2017	Frankel	D28/50
9,919,437	B2	*	3/2018	Veltman	B26B 19/388
D848,072	S	*	5/2019	Prat-Pfister	D28/50
10,357,890	B2	*	7/2019	Yan	B26B 19/3866
10,471,612	B2	*	11/2019	Shimizu	B26B 19/146
D880,064	S	*	3/2020	Andersson	D28/50
D884,972	S	*	5/2020	Andersson	D28/50
D889,042	S	*	6/2020	Andersson	D28/50
10,926,425	B2	*	2/2021	Zak	B26B 19/3846

(Continued)

Primary Examiner — Jennifer Rivard

(73) Assignee: **KONINKLIJKE PHILIPS N.V.**,
Eindhoven (NL)

(57) **CLAIM**

(**) Term: **15 Years**

The ornamental design for a handle for shaver, as shown and described.

(21) Appl. No.: **29/807,318**

DESCRIPTION

(22) Filed: **Sep. 10, 2021**

Related U.S. Application Data

(62) Division of application No. 29/723,190, filed on Feb. 5, 2020, now Pat. No. Des. 934,502.

FIG. 1 is a perspective view showing the first embodiment of a handle for shaver;
FIG. 2 is a front elevational view thereof;
FIG. 3 is a rear elevational view thereof;
FIG. 4 is a right side elevational view thereof;
FIG. 5 is a left side elevational view thereof;
FIG. 6 is a top plan view thereof;
FIG. 7 is a bottom plan view thereof;
FIG. 8 is a perspective view showing the second embodiment of a handle for shaver;
FIG. 9 is a front elevational view thereof;
FIG. 10 is a rear elevational view thereof;
FIG. 11 is a right side elevational view thereof;
FIG. 12 is a left side elevational view thereof;
FIG. 13 is a top plan view thereof; and,
FIG. 14 is a bottom plan view thereof.
The broken lines illustrate portions of the handle for shaver that form no part of the claimed design.

(30) **Foreign Application Priority Data**

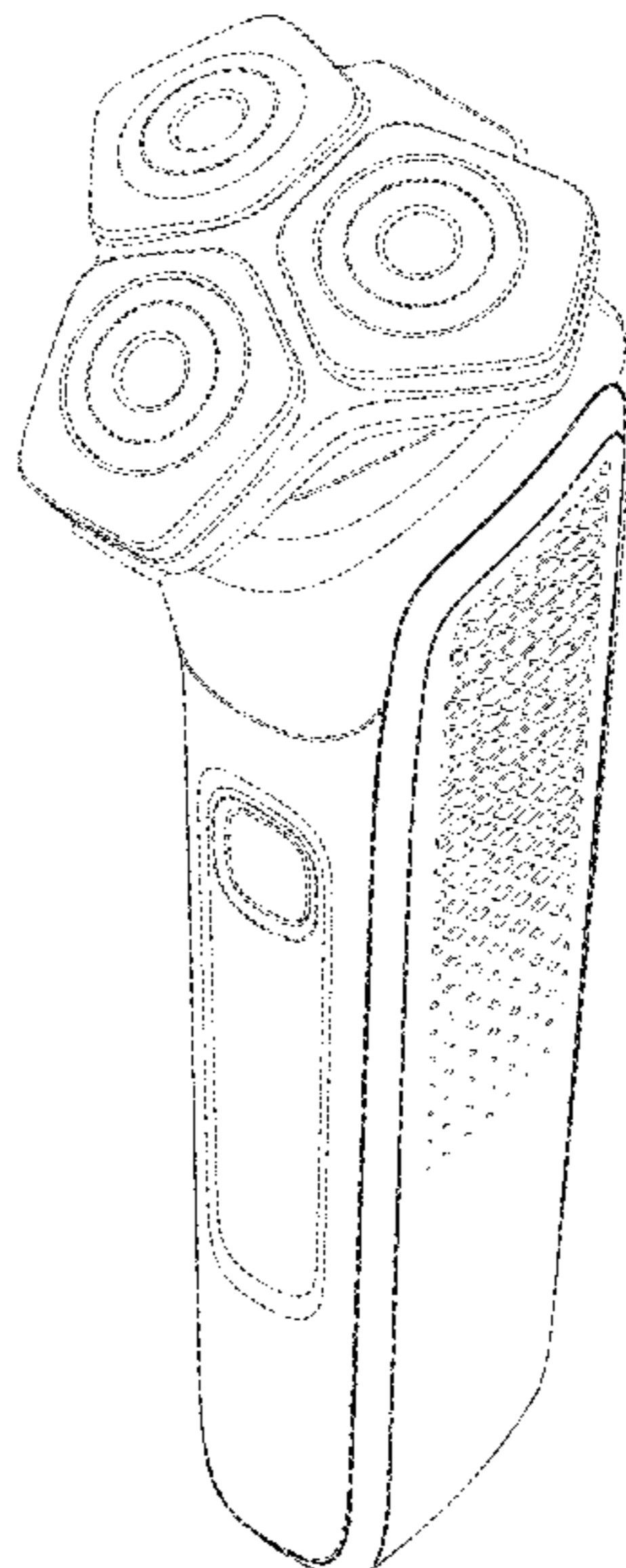
Aug. 26, 2019 (EM) 006768636

(51) **LOC (13) Cl.** **28-03**

(52) **U.S. Cl.**
USPC **D28/50; D28/54**

(58) **Field of Classification Search**
USPC **D28/49-54**
CPC **B26B 19/14-18; B26B 19/38; B26B 19/3853-3893; B26B 19/3806-384**
See application file for complete search history.

1 Claim, 12 Drawing Sheets



(56)

References Cited

U.S. PATENT DOCUMENTS

D912,902 S * 3/2021 Andersson D28/50
D914,290 S * 3/2021 Kulshreshtha D28/50
10,946,536 B2 * 3/2021 Winters B26B 19/146
D932,697 S * 10/2021 Van Roosmalen D28/50
D932,698 S * 10/2021 Van Roosmalen D28/50
D932,699 S * 10/2021 Van Roosmalen D28/50
D932,700 S * 10/2021 Van Roosmalen D28/50
D933,894 S * 10/2021 Van Roosmalen D28/50
D934,502 S * 10/2021 Van Roosmalen D28/50
D949,479 S * 4/2022 Van Roosmalen D28/50
D953,641 S * 5/2022 Van Roosmalen D28/50
D953,642 S * 5/2022 Van Roosmalen D28/50
D955,048 S * 6/2022 Van Roosmalen D28/50
D955,642 S * 6/2022 Van Roosmalen D28/50
D955,643 S * 6/2022 Van Roosmalen D28/50
2021/0069920 A1 * 3/2021 Kulshreshtha B26B 19/386

* cited by examiner

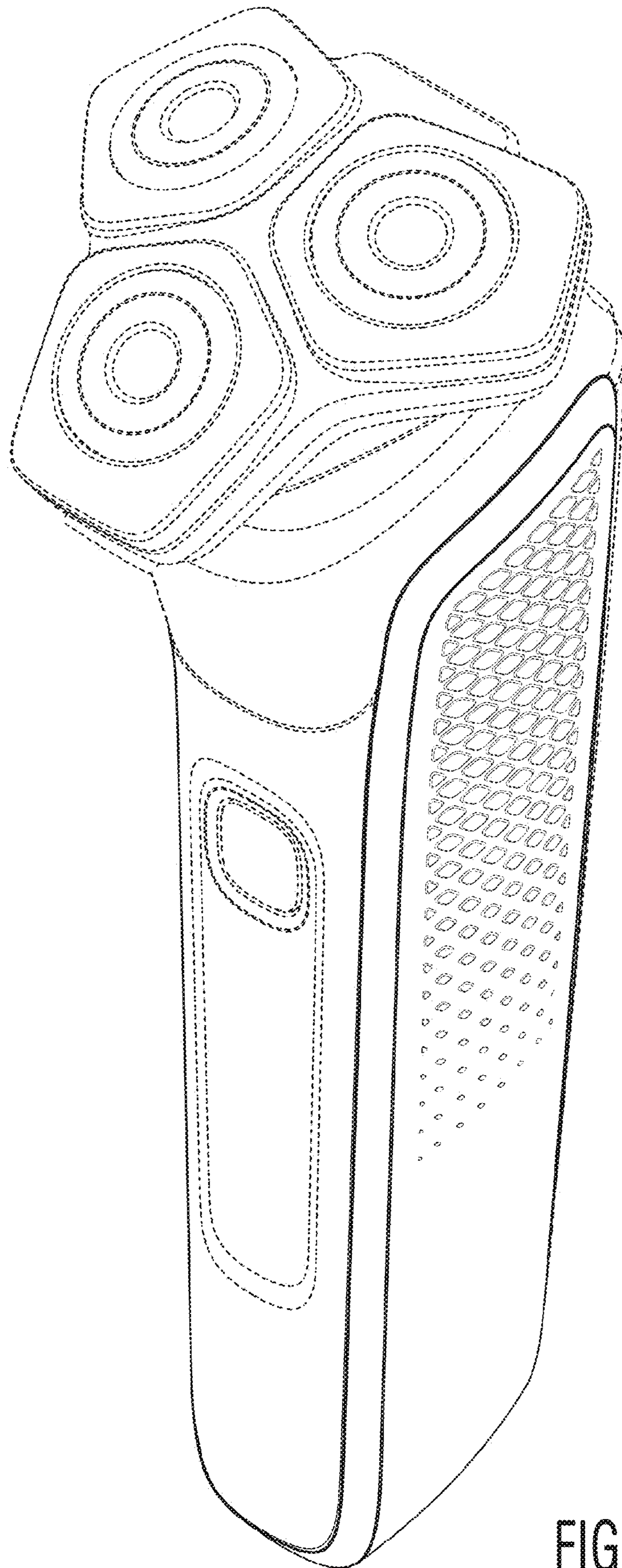


FIG. 1

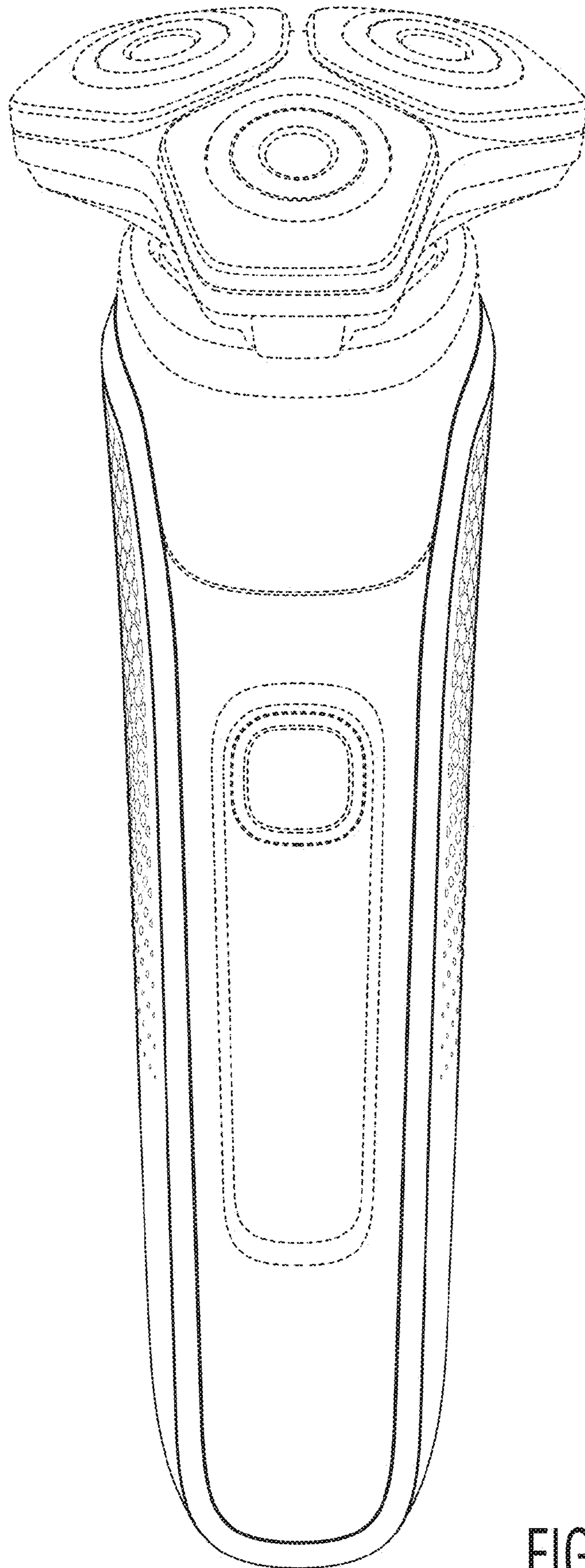


FIG. 2

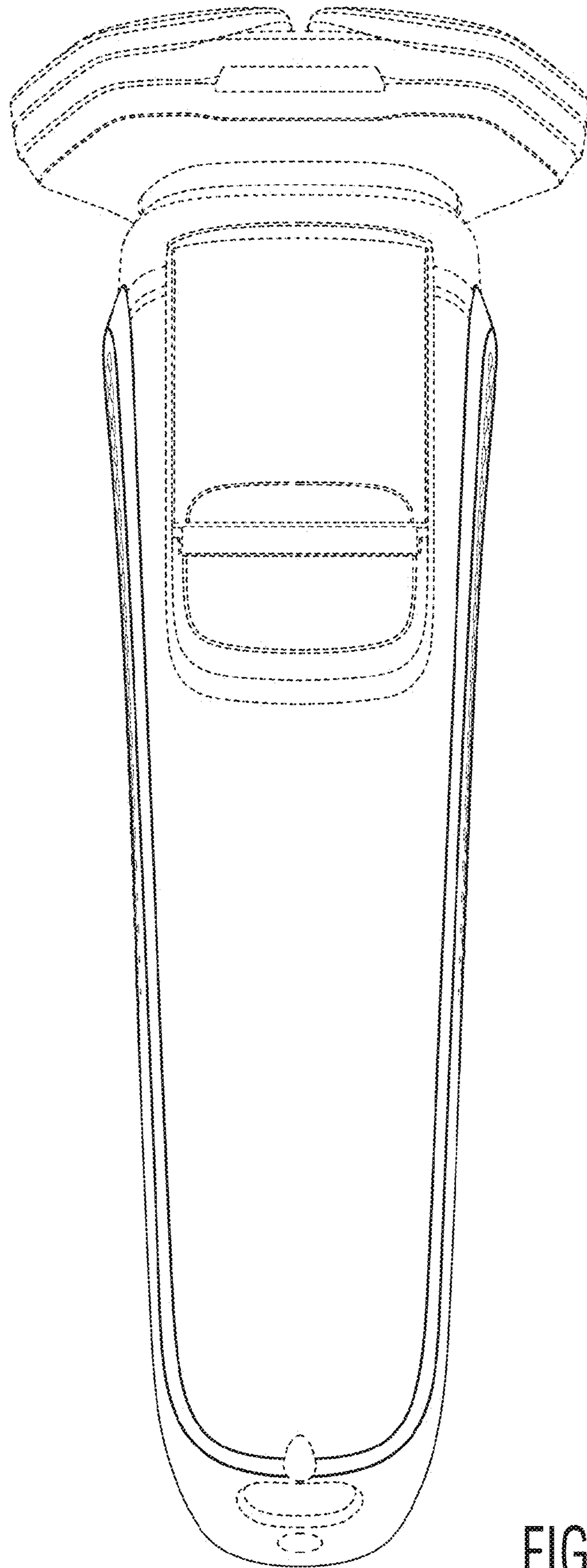


FIG. 3

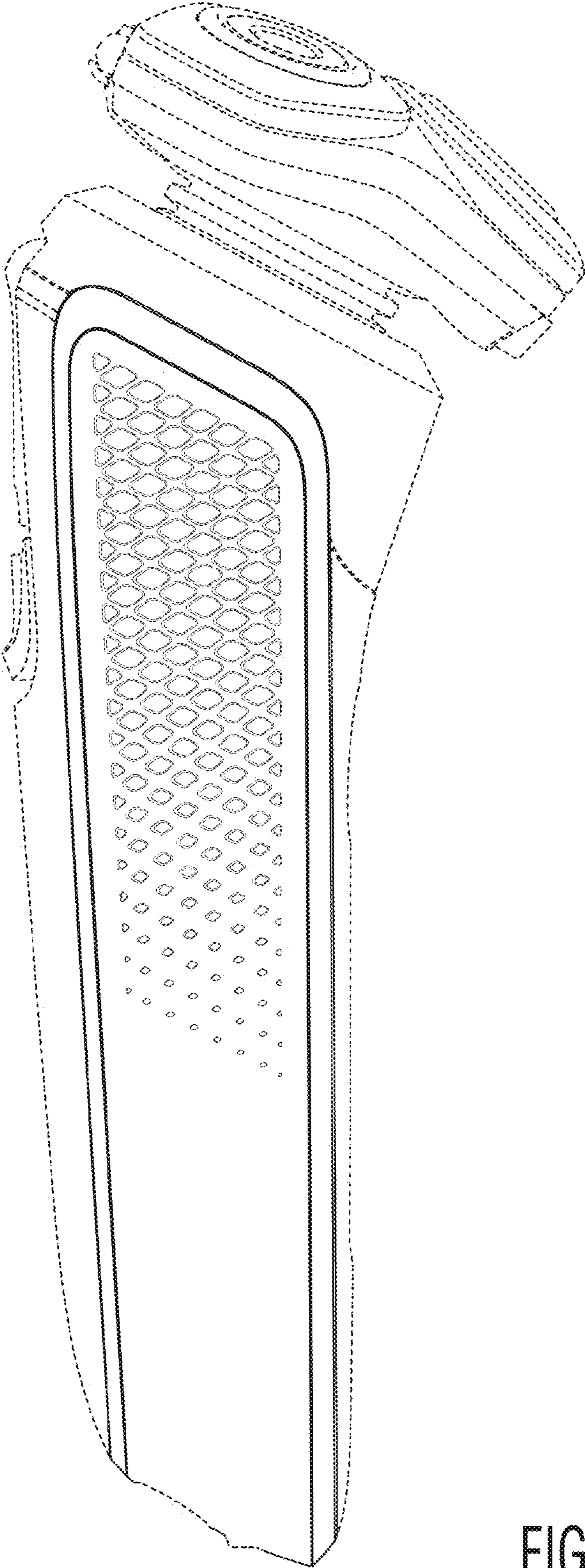


FIG. 4

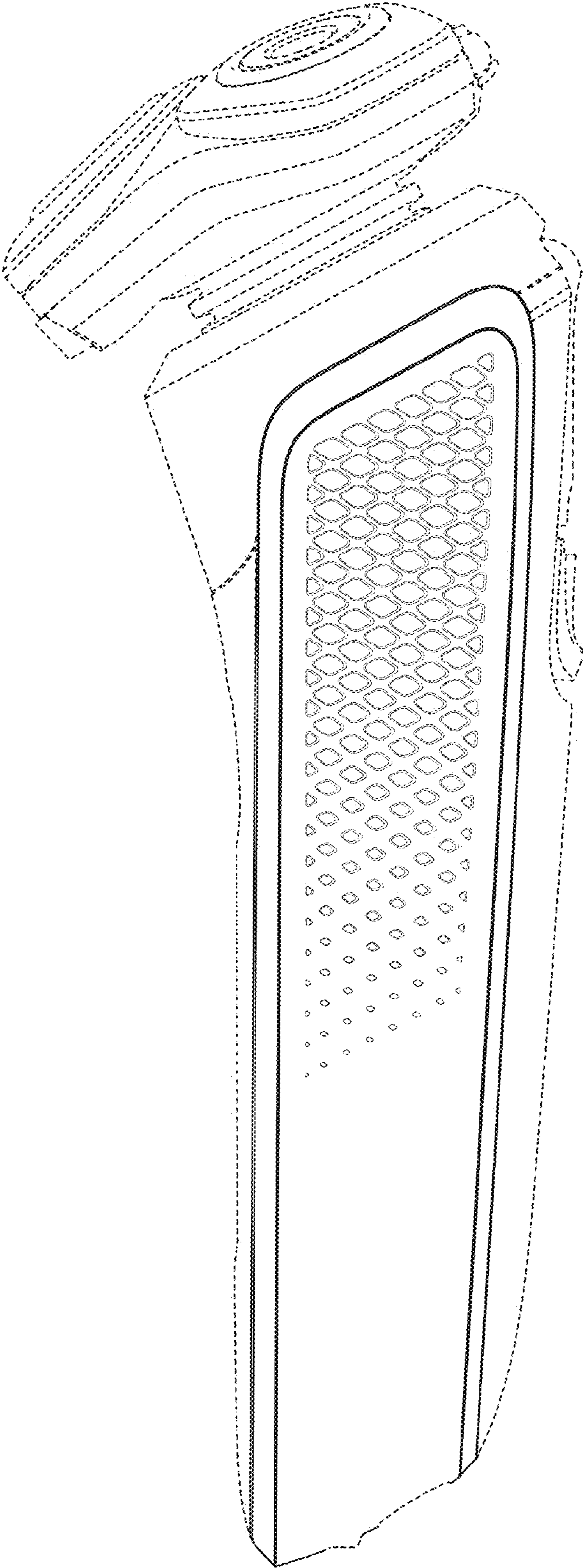


FIG. 5

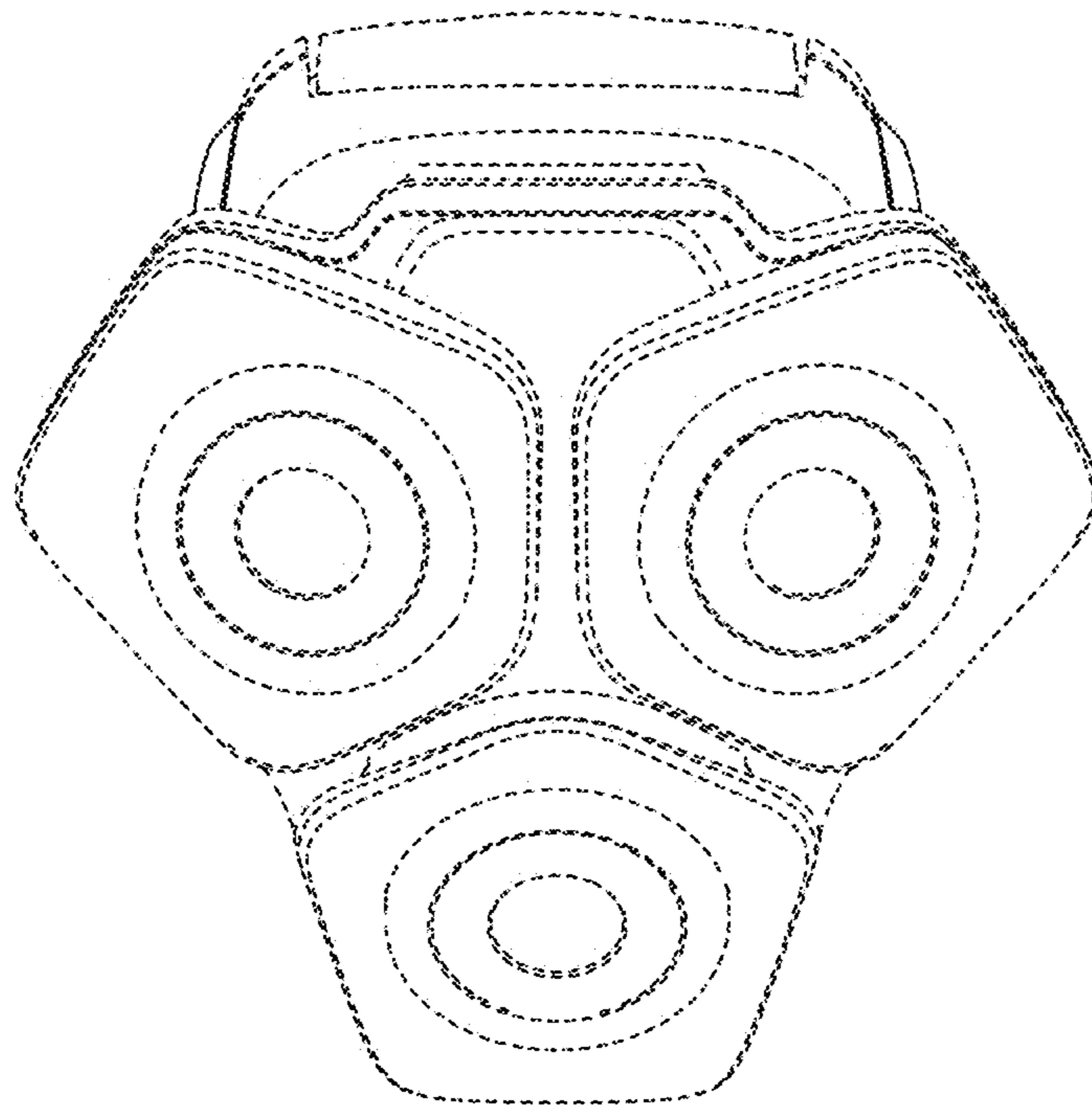


FIG. 6

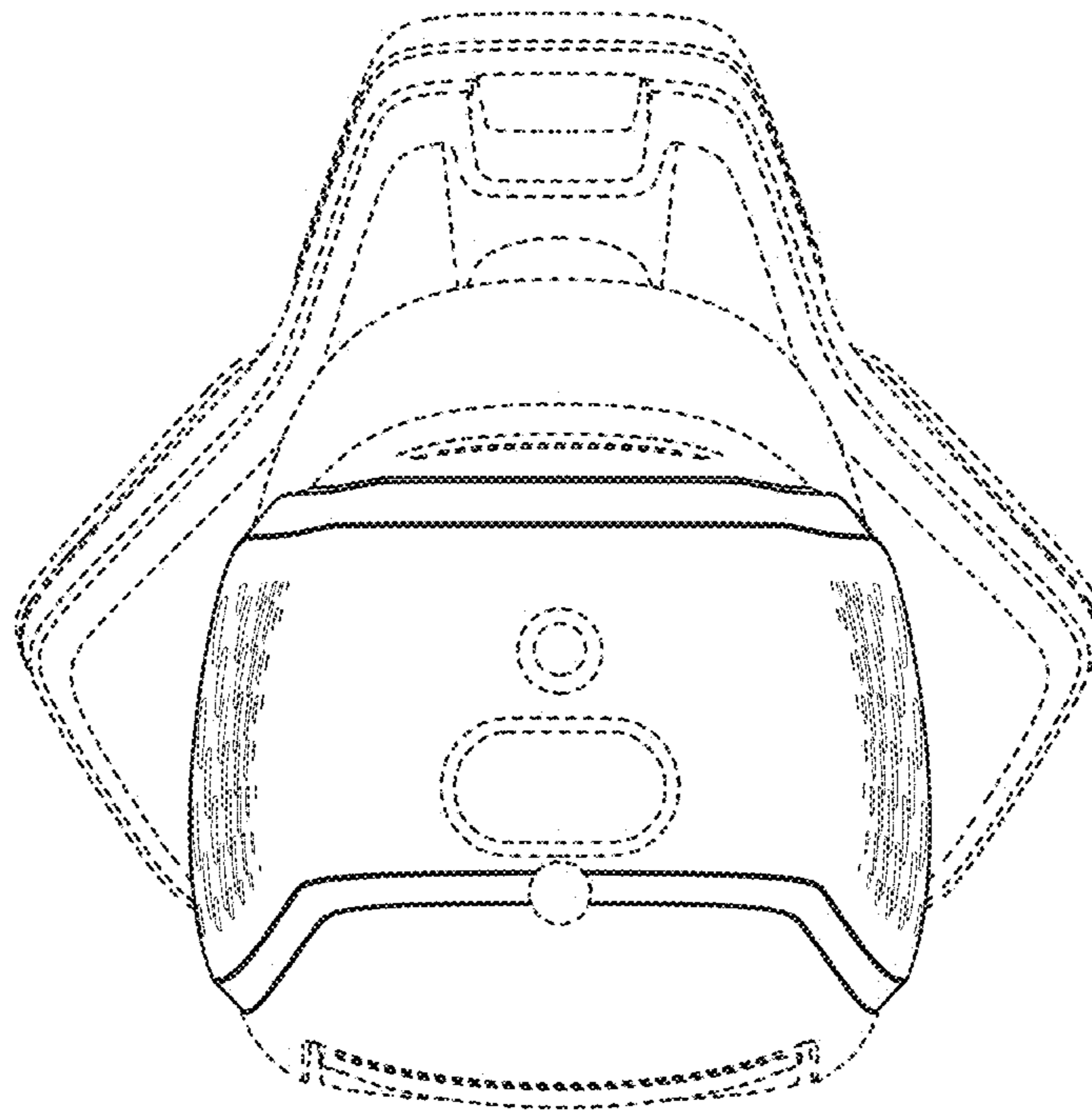


FIG. 7

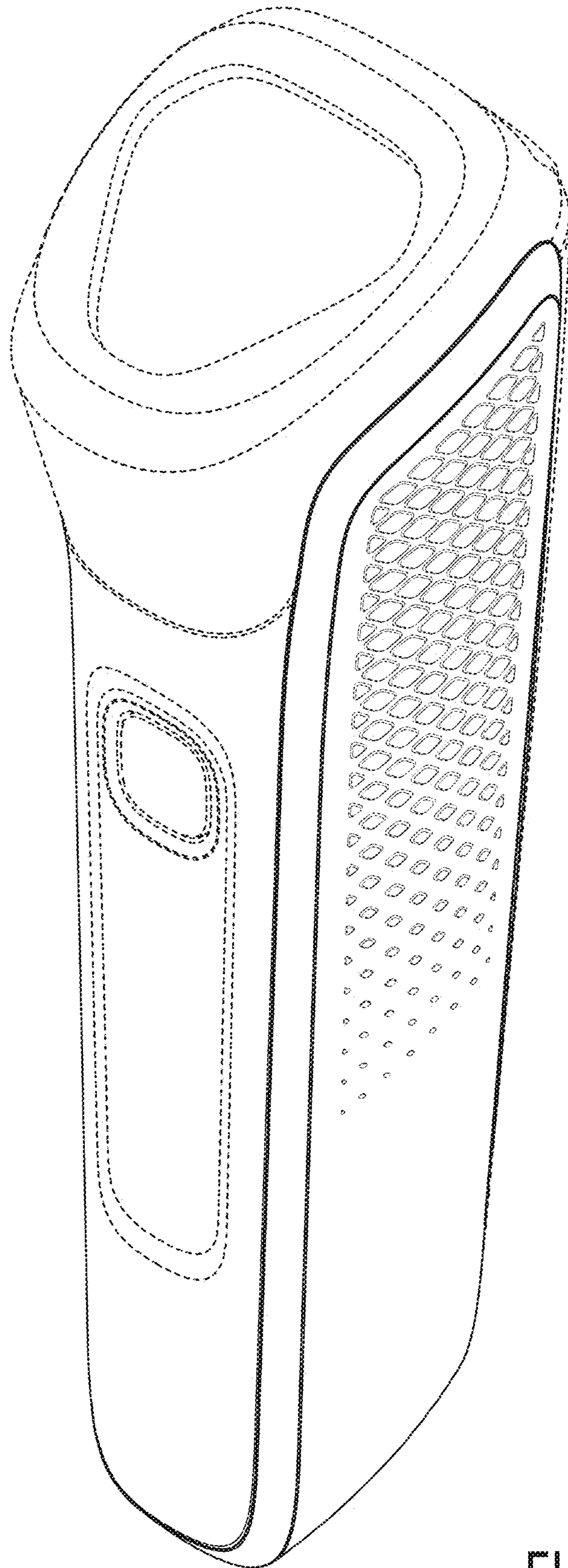


FIG. 8

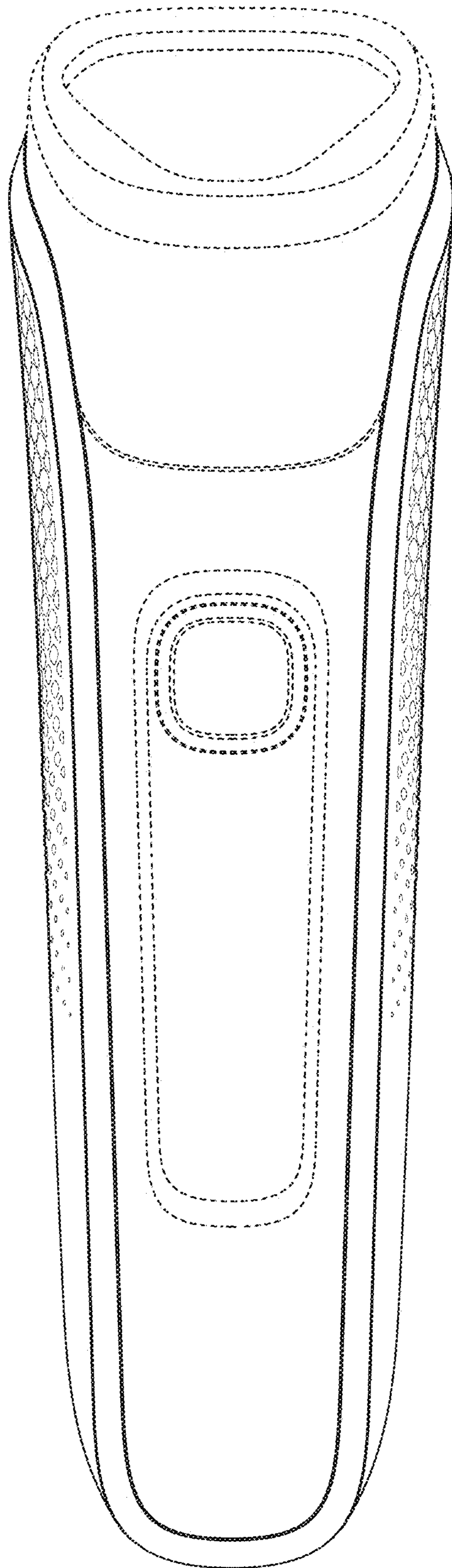


FIG. 9

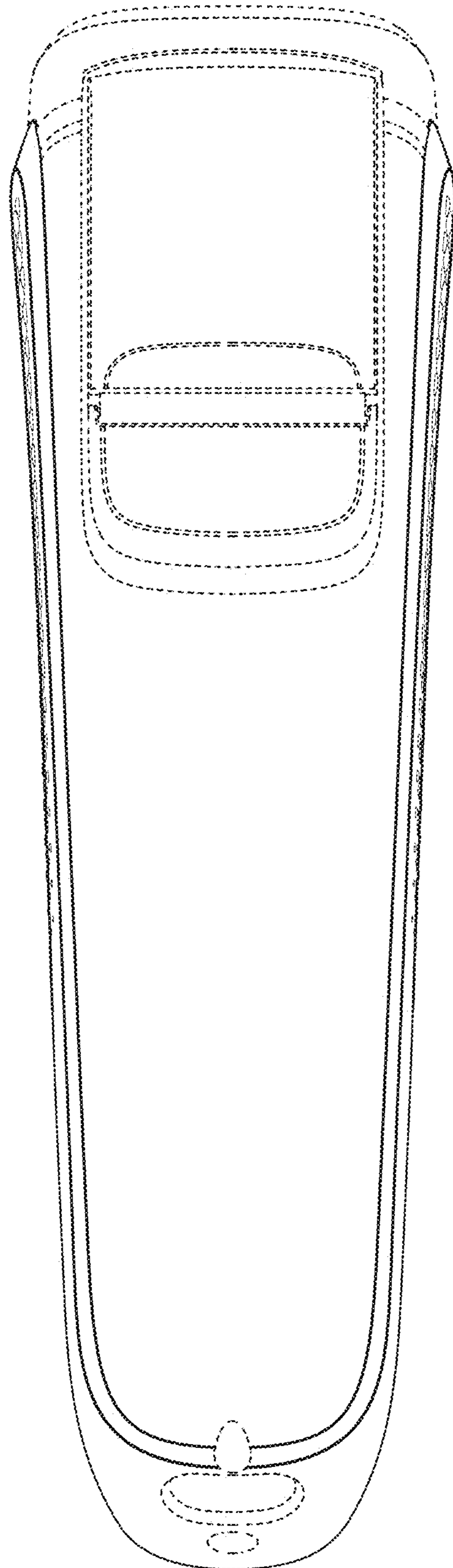


FIG. 10

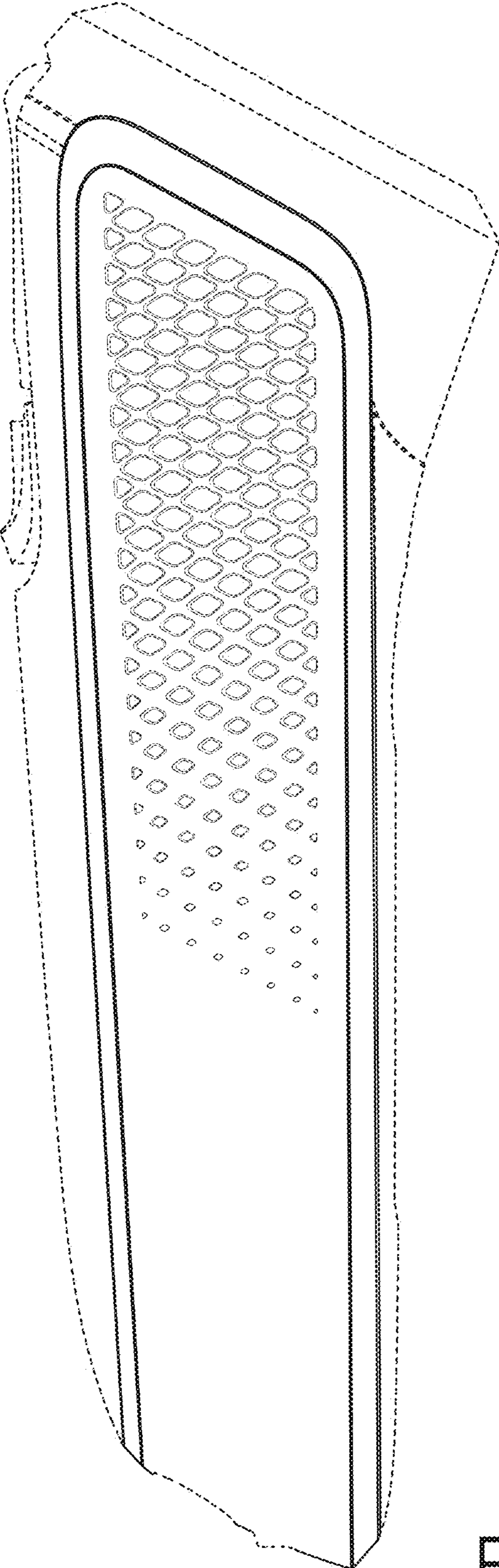


FIG. 11

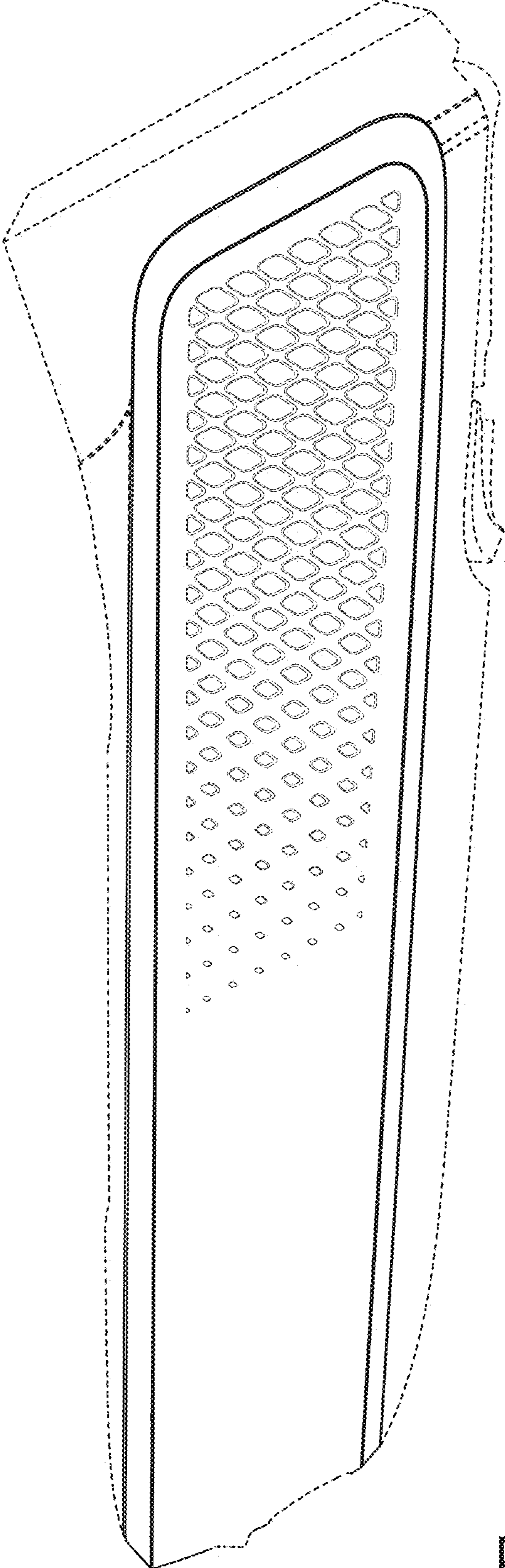


FIG. 12

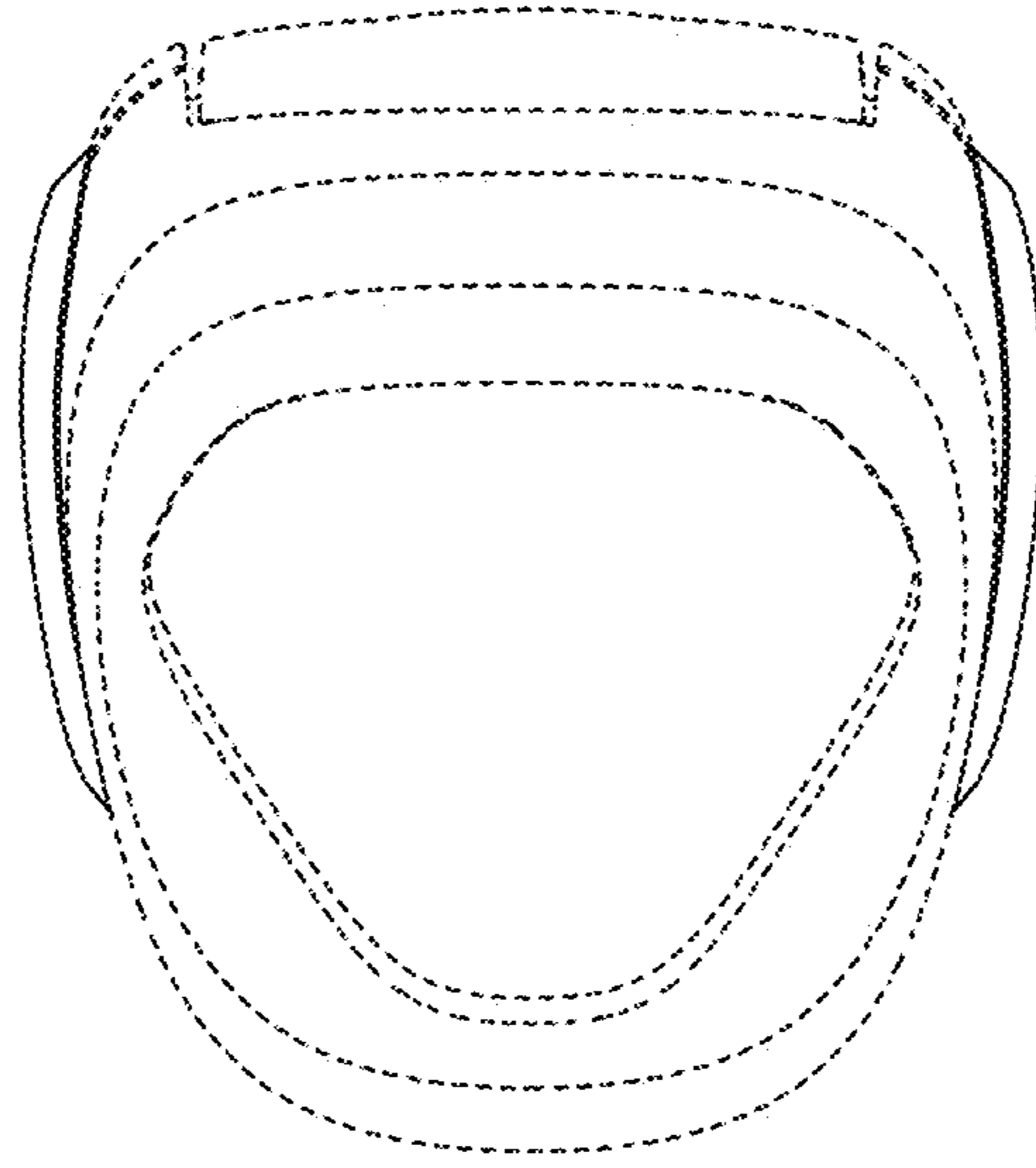


FIG. 13

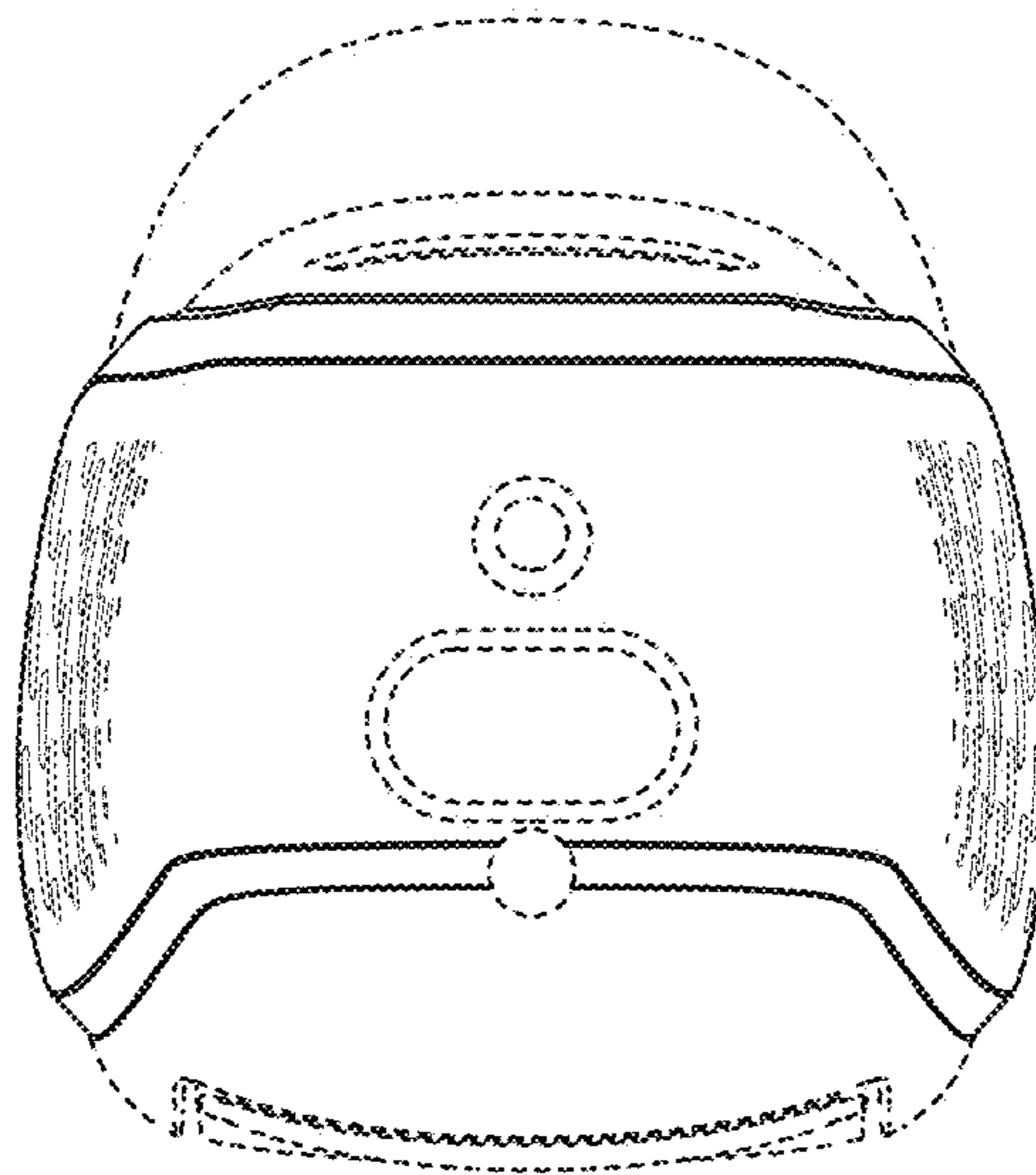


FIG. 14