



US00D970111S

(12) **United States Design Patent** (10) **Patent No.:** **US D970,111 S**
Tessler et al. (45) **Date of Patent:** **** Nov. 15, 2022**

(54) **SAFETY RAZOR**
(71) Applicant: **Hanni Inc.**, Atlanta, GA (US)
(72) Inventors: **Leslie Tessler**, Atlanta, GA (US);
Jochen Rainer Schaeppers, New York, NY (US)
(73) Assignee: **Hanni Inc.**, Atlanta, GA (US)
(**) Term: **15 Years**
(21) Appl. No.: **29/726,343**
(22) Filed: **Mar. 2, 2020**
(51) **LOC (13) Cl.** **28-03**
(52) **U.S. Cl.**
USPC **D28/46**
(58) **Field of Classification Search**
USPC D28/46-48
CPC B26B 21/52-528; B26B 21/22-38; B26B 21/08; B26B 21/14
See application file for complete search history.

D898,284 S * 10/2020 Stowers D28/45
D905,344 S * 12/2020 Wang D28/51
2017/0113363 A1* 4/2017 Lopez B26B 21/227
2017/0136636 A1* 5/2017 Zak B26B 21/34

OTHER PUBLICATIONS

Hanni razor FAQ , www.youtube.com, 1 page, May 11, 2021 (Year: 2021).*

* cited by examiner

Primary Examiner — Jennifer Rivard

(74) *Attorney, Agent, or Firm* — Buchalter, A Professional Corporation

(57) **CLAIM**

The ornamental design for a safety razor, as shown and described.

DESCRIPTION

FIG. 1 is a top front side perspective view of a safety razor; FIG. 2 is a front view of the safety razor; FIG. 3 is a rear view of the safety razor; FIG. 4 is a right side view of the safety razor; FIG. 5 is a left side view of the safety razor; FIG. 6 is a top view of the safety razor; and, FIG. 7 is a bottom view of the safety razor.

The broken lines illustrate portions of the safety razor that form no part of the claimed design.

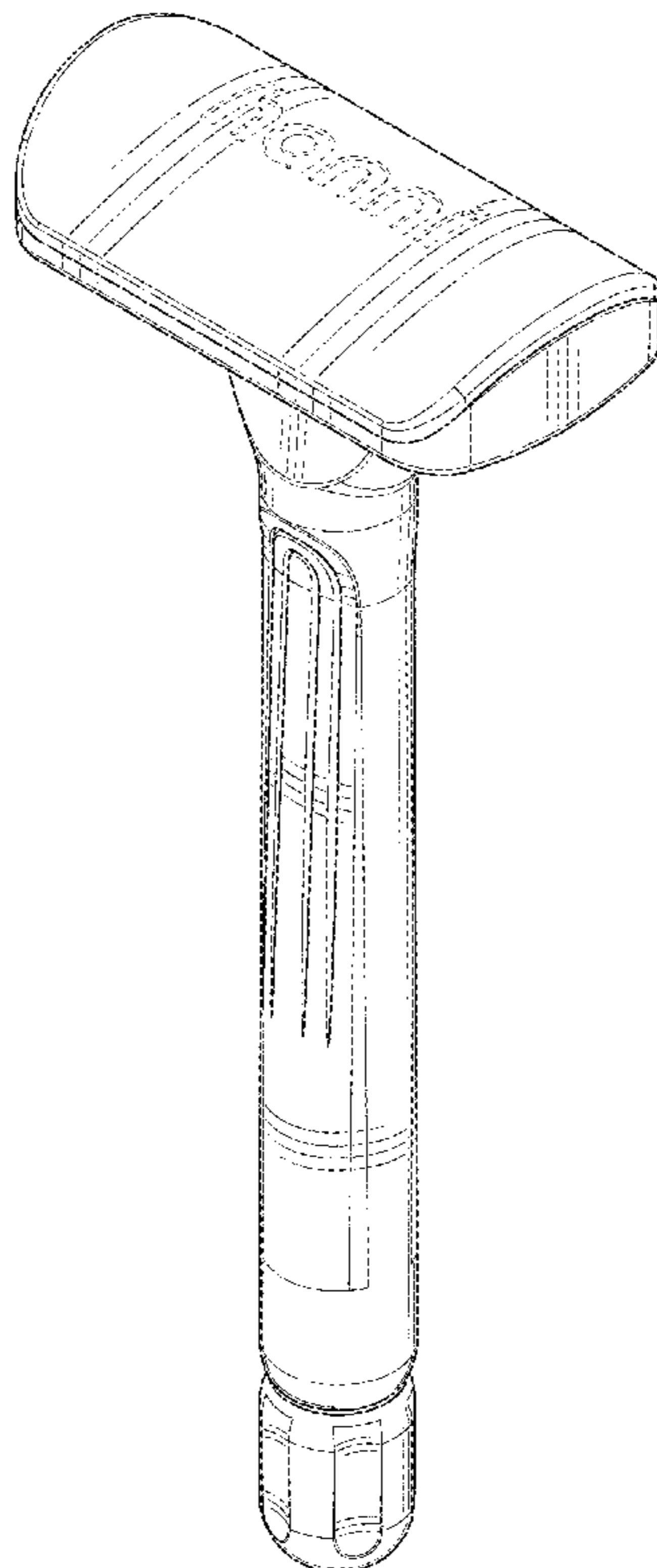
The “HANNI” lettering forming a part of the disclosure is a registered trademark of Leslie Tessler, an individual, Bal Harbour Florida.

1 Claim, 7 Drawing Sheets

(56) **References Cited**

U.S. PATENT DOCUMENTS

D165,867 S * 2/1952 Rauff 30/84
D231,050 S * 3/1974 Gray D28/46
D303,023 S * 8/1989 Sinclair D28/46
D841,241 S * 2/2019 Everard D28/46
D848,070 S * 5/2019 Bok B26B 21/24
D28/46
D870,379 S * 12/2019 Lambert D28/46
D874,726 S * 2/2020 Everard D28/46



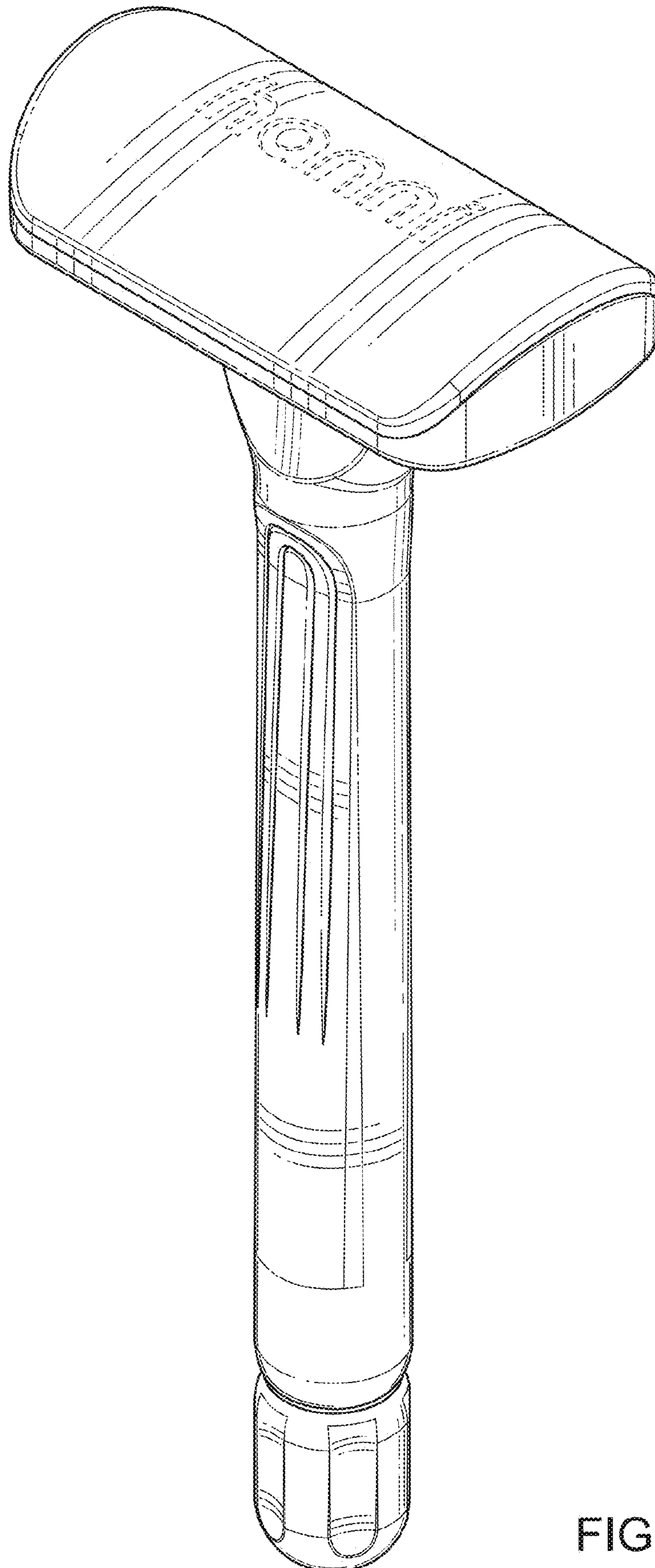


FIG. 1

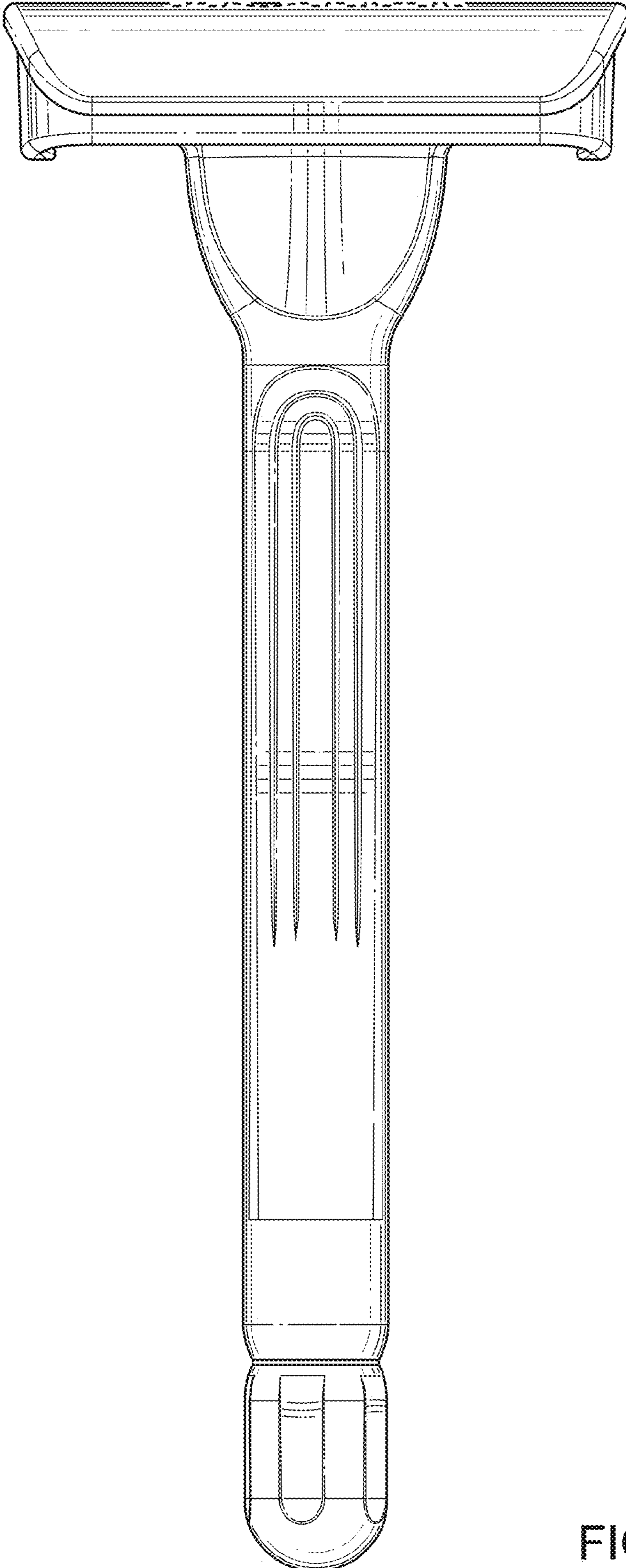


FIG. 2

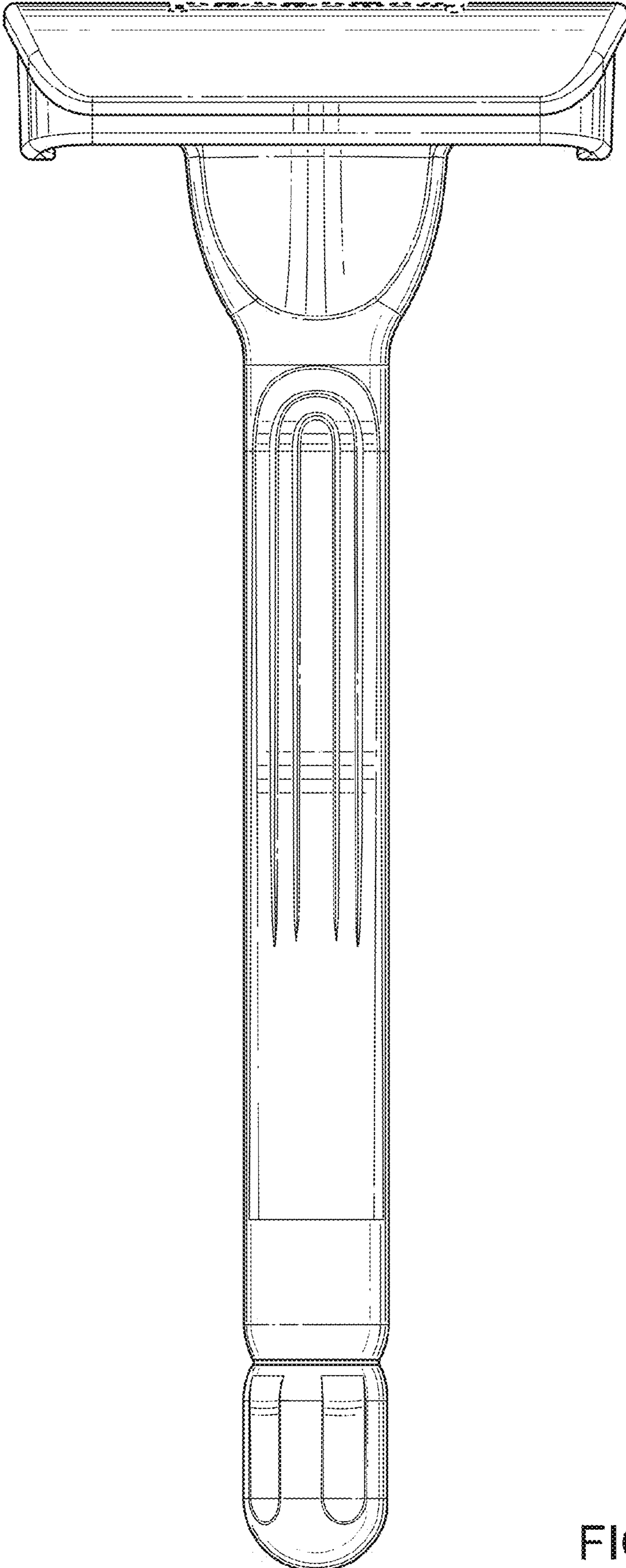


FIG. 3

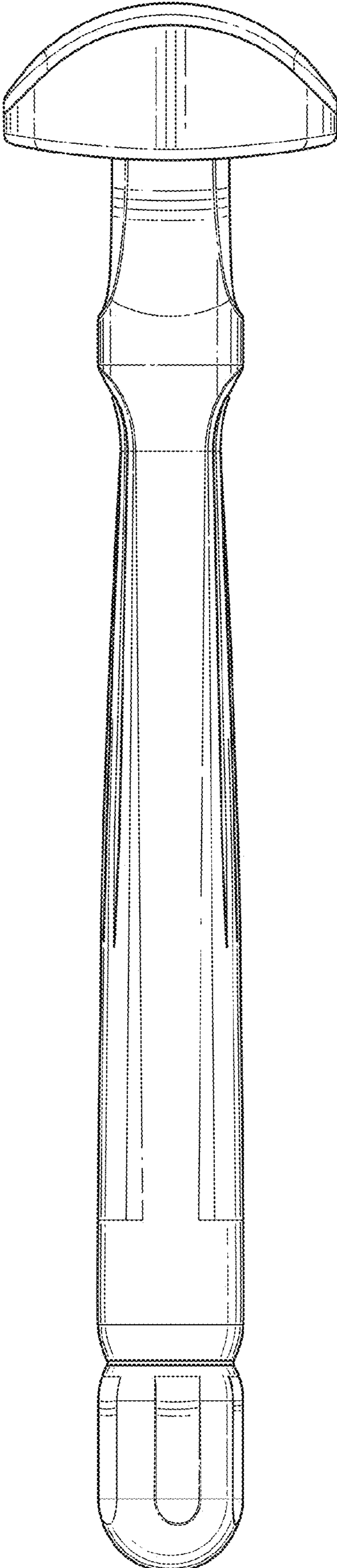


FIG. 4

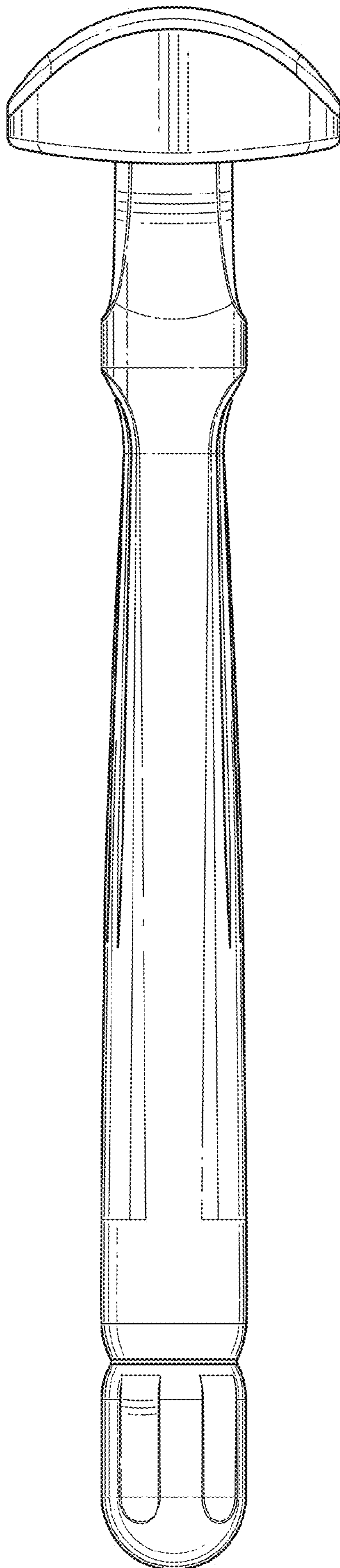


FIG. 5

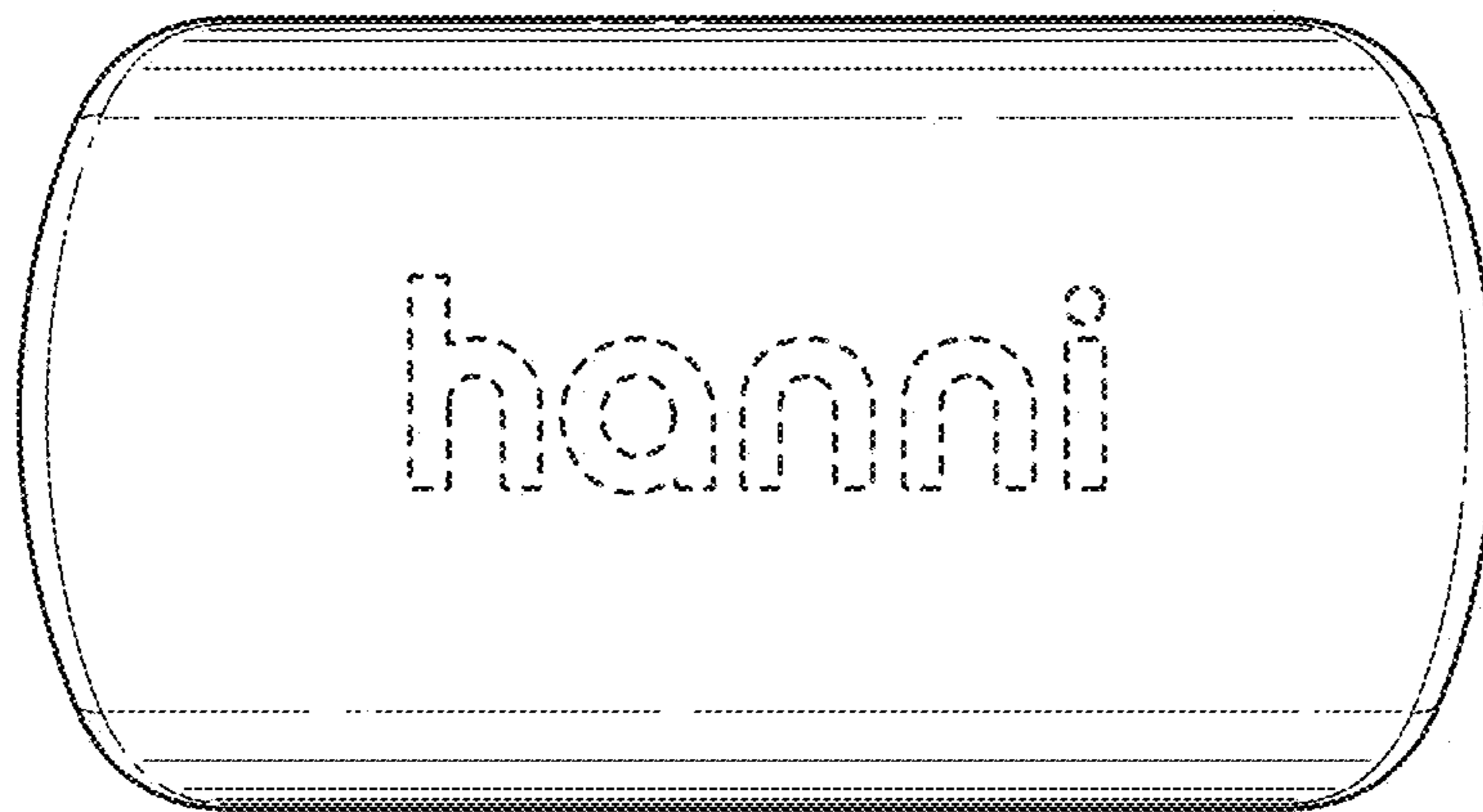


FIG. 6

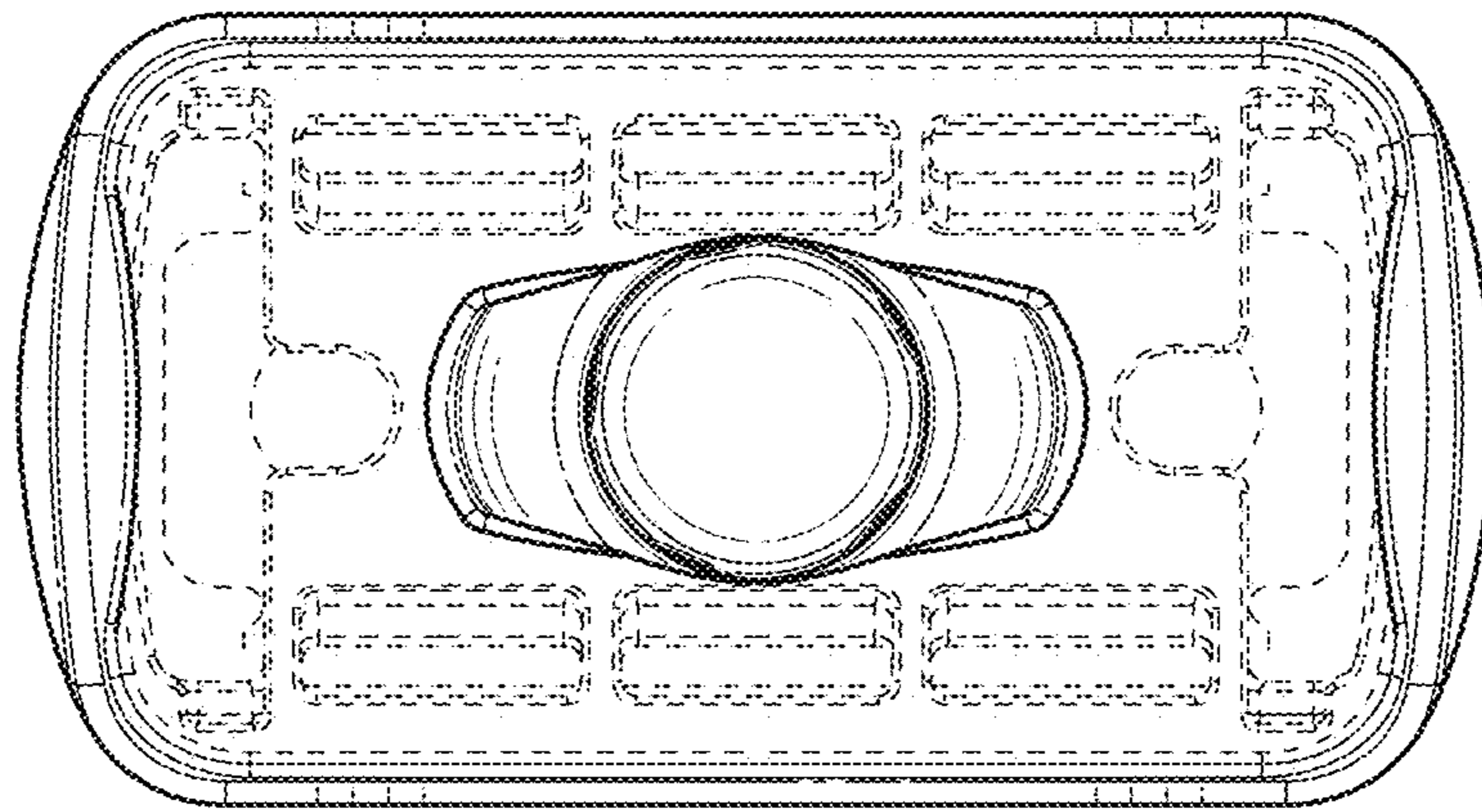


FIG. 7