



US00D970110S

(12) **United States Design Patent** (10) **Patent No.:** **US D970,110 S**  
**Fiebel et al.** (45) **Date of Patent:** **\*\* Nov. 15, 2022**

- (54) **HANDLE FOR A CURLING IRON**
- (71) Applicant: **Helen of Troy Limited**, St. Michael (BB)
- (72) Inventors: **William C. Fiebel**, Succasunna, NJ (US); **Gary Koenemann**, El Paso, TX (US); **Mathieu Zastawny**, Jersey City, NJ (US); **Yoon Jung Heo**, Fort Lee, NJ (US); **Aakriti Jojo Chandra**, Jersey City, NJ (US)
- (73) Assignee: **Helen of Troy Limited**, St. Michael (BB)
- (\*\*) Term: **15 Years**
- (21) Appl. No.: **29/745,452**
- (22) Filed: **Aug. 6, 2020**
- (51) **LOC (13) Cl.** ..... **28-03**
- (52) **U.S. Cl.**  
USPC ..... **D28/35**
- (58) **Field of Classification Search**  
USPC ..... D28/9-11, 35, 99; D8/107, 300  
CPC ... A45D 1/00; A45D 1/04; A45D 1/06; A45D 1/10; A45D 1/14; A45D 2/00; A45D 2/02; A45D 2/12; A45D 6/00  
See application file for complete search history.

D916,368 S *	4/2021	Koenemann	.....	D4/133
D921,290 S *	6/2021	Yang	.....	D28/35
D934,499 S *	10/2021	Xie	.....	D28/35
D942,681 S *	2/2022	Chandra	.....	D28/35
D943,203 S *	2/2022	Chandra	.....	D28/35
D943,204 S *	2/2022	Chandra	.....	D28/35
D943,281 S *	2/2022	Zou	.....	D28/35
D948,118 S *	4/2022	Zhou	.....	D28/35
D951,047 S *	5/2022	Hsieh	.....	D8/107
D952,942 S *	5/2022	de Belizal	.....	D28/35
2011/0180096 A1 *	7/2011	Palermo	.....	A45D 1/04 132/263

\* cited by examiner

*Primary Examiner* — Jennifer Rivard  
*Assistant Examiner* — Alison M Ofstun  
(74) *Attorney, Agent, or Firm* — Rankin, Hill & Clark LLP

(57) **CLAIM**

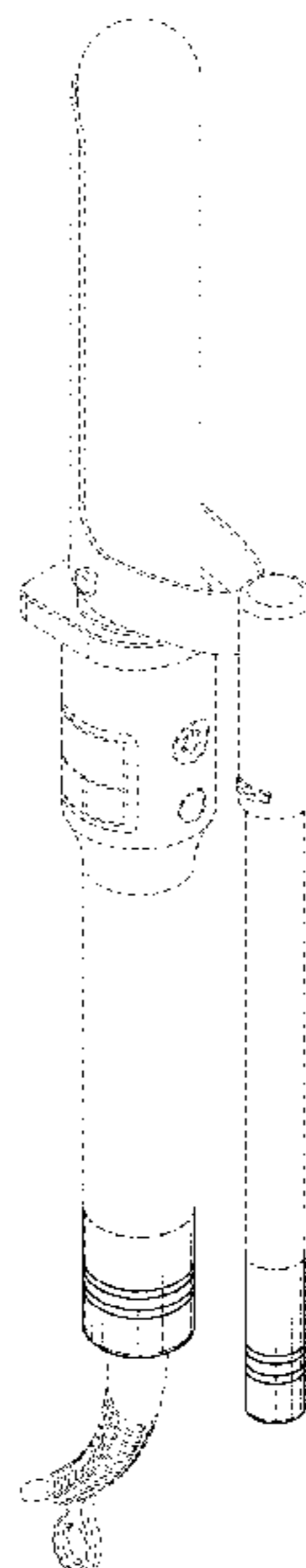
The ornamental design for a handle for a curling iron, as shown and described.

**DESCRIPTION**

FIG. 1 is a right side perspective view of a handle for a curling iron showing our new design; FIG. 2 is a top plan view of FIG. 1; FIG. 3 is a bottom plan view of FIG. 1; FIG. 4 is a left side elevation view of FIG. 1; FIG. 5 is a right side elevation view of FIG. 1; FIG. 6 is a front elevation of FIG. 1; and, FIG. 7 is a rear elevation view of FIG. 1. The evenly spaced broken lines illustrate portions of the handle for a curling iron that form no part of the claimed design. The dot-dash broken lines illustrate a boundary to the claim and form no part thereof. The remaining evenly spaced broken lines illustrate a styling portion of a curling iron and a power cord as environmental subject matter and form no part of the claimed design.

**1 Claim, 4 Drawing Sheets**

- (56) **References Cited**  
U.S. PATENT DOCUMENTS
- D264,258 S \* 5/1982 Zago ..... D28/35
- 4,604,514 A \* 8/1986 Thaler ..... A45D 1/04  
219/230
- D288,250 S \* 2/1987 Adams ..... D28/35
- D411,334 S \* 6/1999 Rizzuto ..... D28/35
- D832,511 S \* 10/2018 Chandra ..... D28/35
- D833,070 S \* 11/2018 Chandra ..... D28/35
- D912,320 S \* 3/2021 Liang ..... D28/35
- D912,987 S \* 3/2021 Chandra ..... D4/134



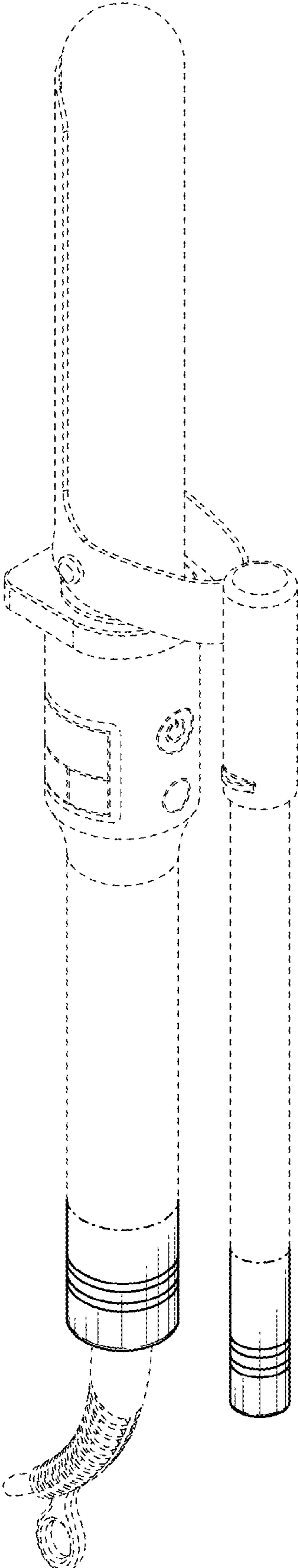


FIG. 1

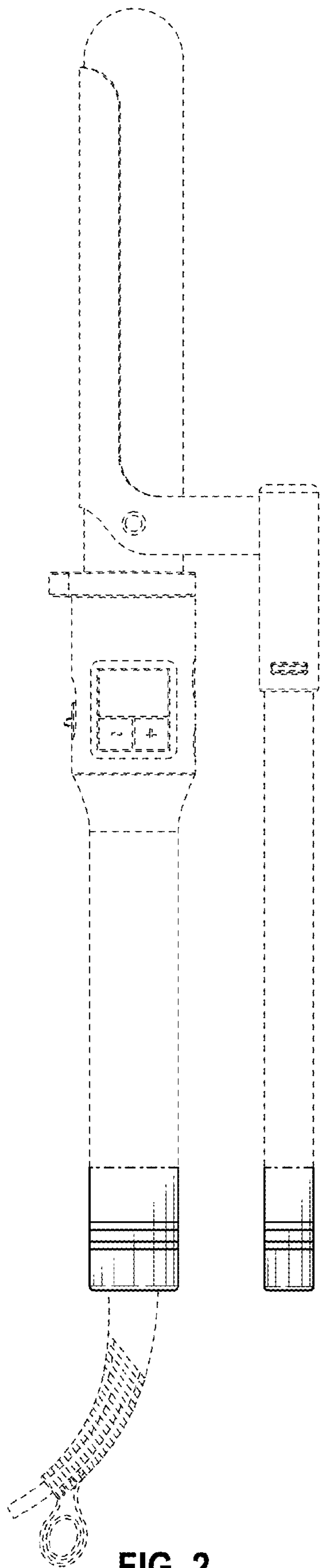


FIG. 2

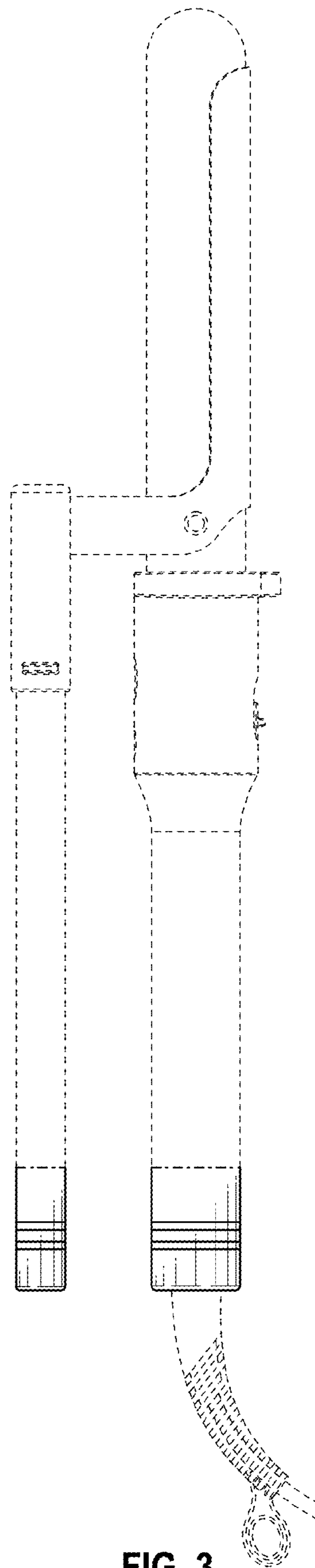


FIG. 3

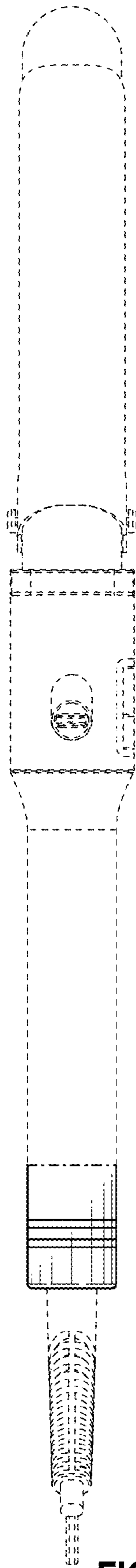


FIG. 4

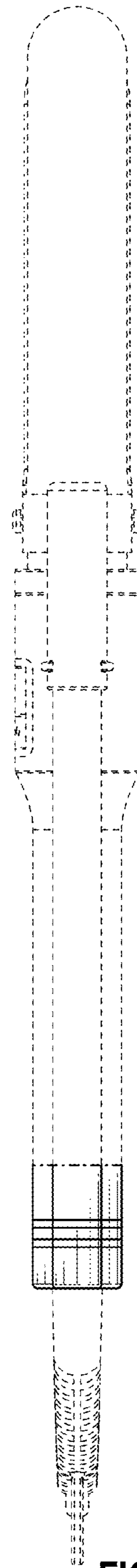


FIG. 5

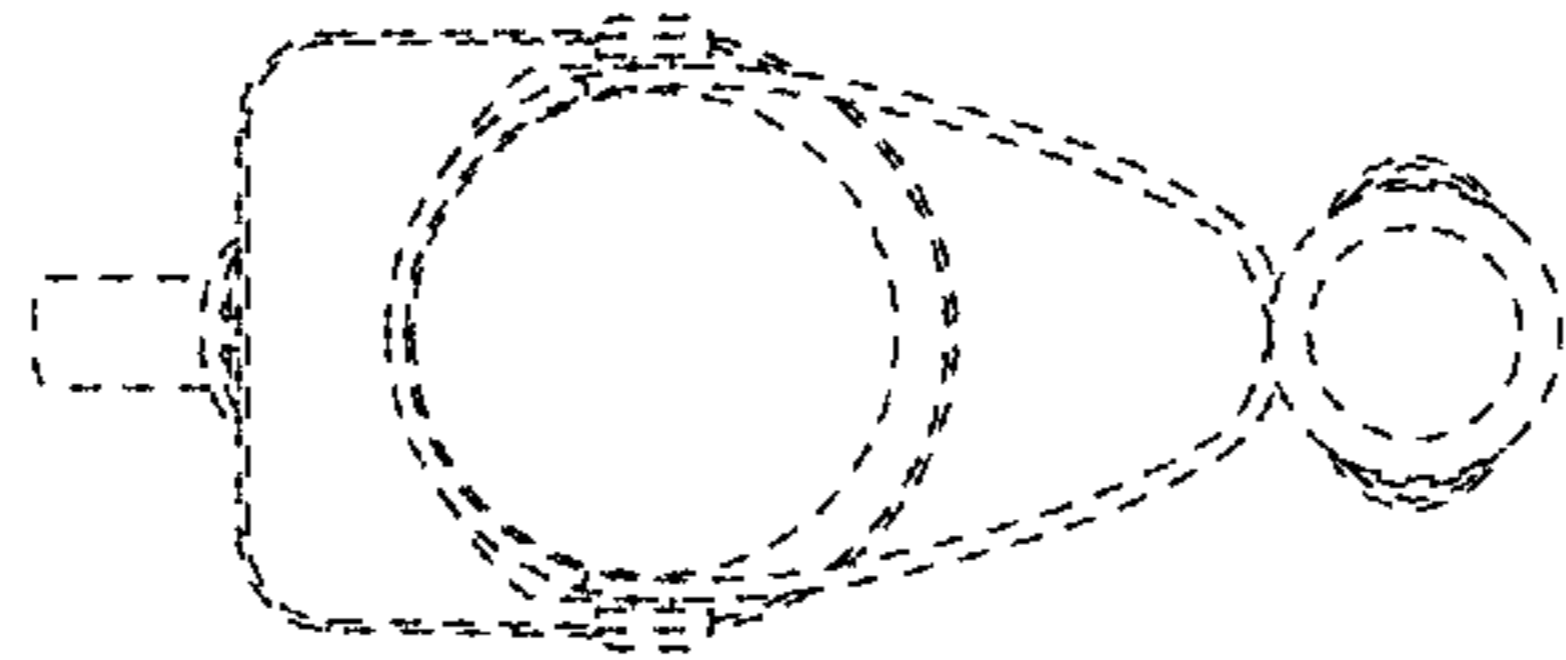


FIG. 6

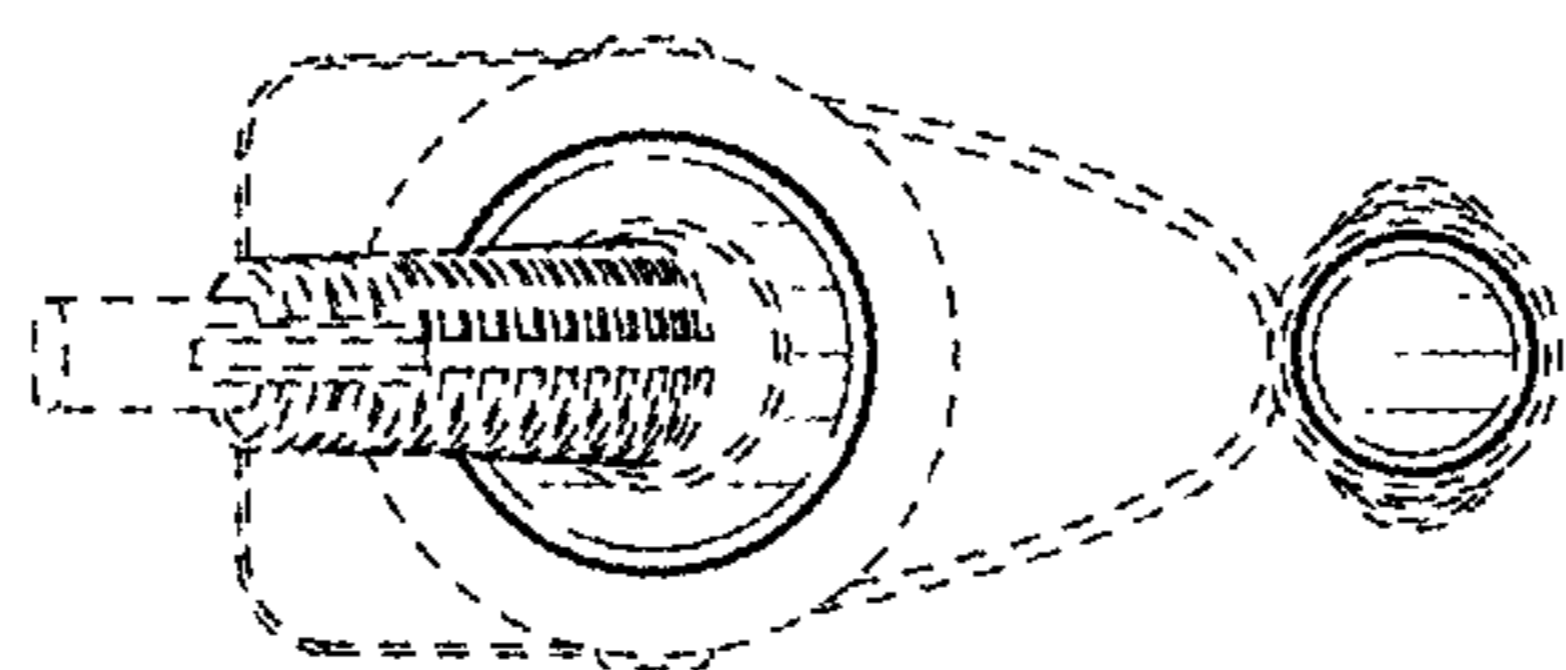


FIG. 7