



US00D970107S

(12) **United States Design Patent** (10) **Patent No.:** **US D970,107 S**
Bianco (45) **Date of Patent:** **** Nov. 15, 2022**

(54) **COSMETIC APPLICATOR**
(71) Applicant: **Dorien Bianco**, Zetjun (MT)
(72) Inventor: **Dorien Bianco**, Zetjun (MT)
(**) Term: **15 Years**

D641,930 S * 7/2011 Poletto D28/7
D641,932 S * 7/2011 Poletto D28/7
D732,734 S * 6/2015 Poletto D28/7
D735,406 S * 7/2015 Poletto D28/7
D826,473 S * 8/2018 Pires D28/7
D917,780 S * 4/2021 Roh D28/7

* cited by examiner

Primary Examiner — Zenia I Bennett

(21) Appl. No.: **29/777,224**

(22) Filed: **Apr. 5, 2021**

(51) **LOC (13) Cl.** **28-03**

(52) **U.S. Cl.**
USPC **D28/7**

(58) **Field of Classification Search**
USPC D28/7, 20, 76, 85; D19/36
CPC . A45D 40/20; A45D 40/24; A45D 2200/1072
See application file for complete search history.

(56) **References Cited**

U.S. PATENT DOCUMENTS

D537,564 S * 2/2007 Montoli D28/7
D538,975 S * 3/2007 Montoli D28/7
D614,347 S * 4/2010 Uehara D28/7
D633,650 S * 3/2011 Uehara D28/7

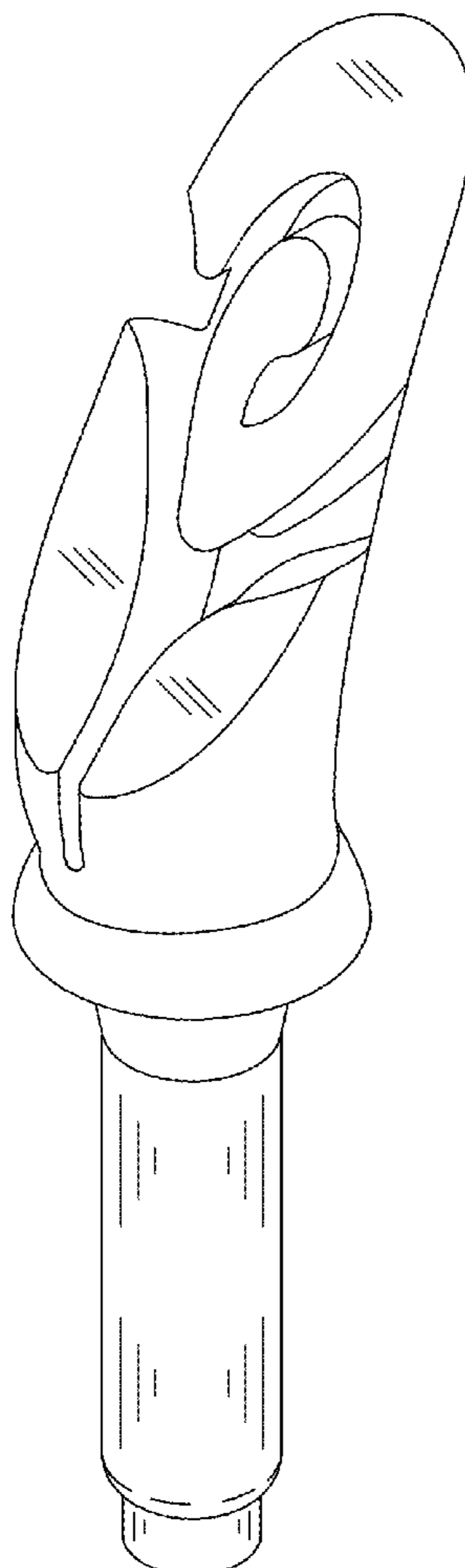
(57) **CLAIM**

I, claim the ornamental design for a cosmetic applicator, as shown and described.

DESCRIPTION

FIG. 1 is a front elevation view of a cosmetic applicator showing my new design.
FIG. 2 is a left hand side elevation view of FIG. 1.
FIG. 3 is a rear elevation view FIG. 1.
FIG. 4 is a right side elevation view of FIG. 1.
FIG. 5 is a top elevation view of FIG. 1.
FIG. 6 is a bottom elevation view of FIG. 1.
FIG. 7 is a bottom projected view of FIG. 1; and,
FIG. 8 is a top projected view of FIG. 1.

1 Claim, 3 Drawing Sheets



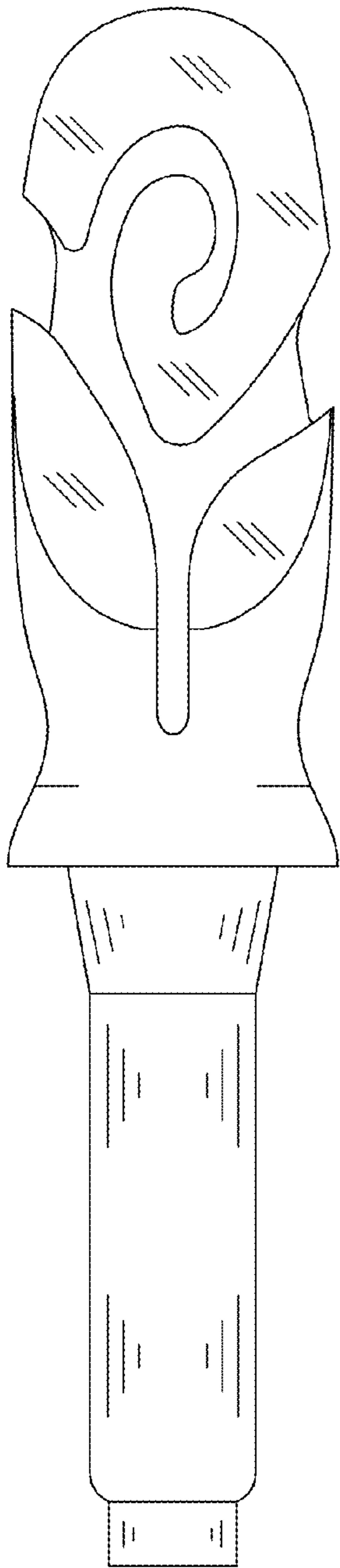


FIG.1

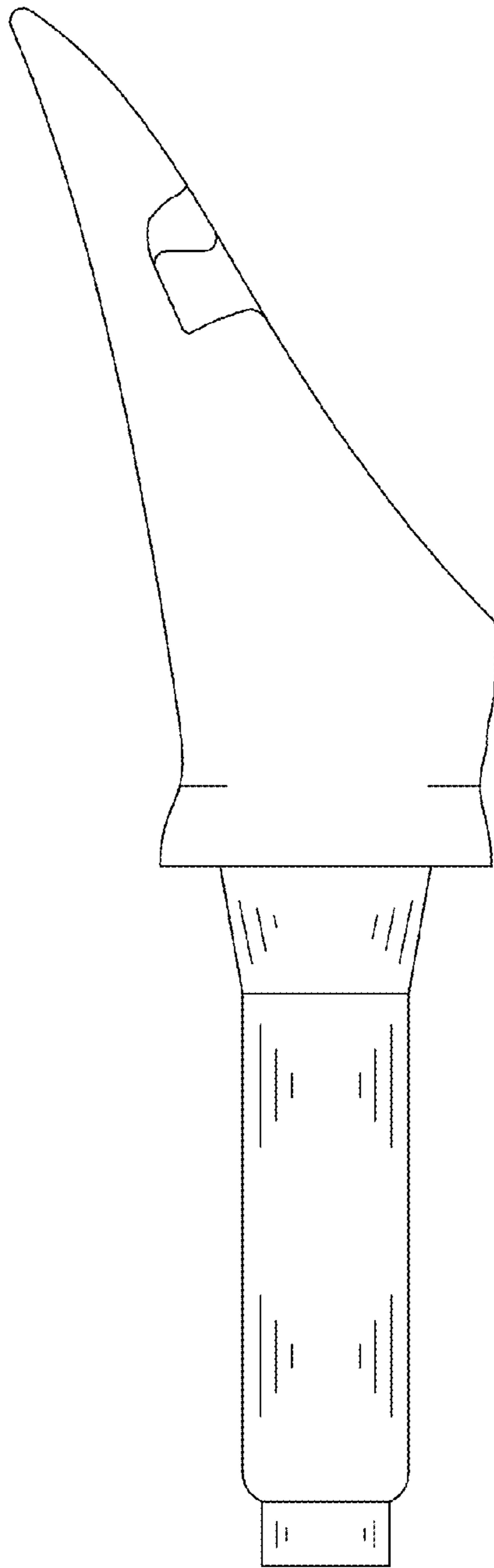


FIG.2

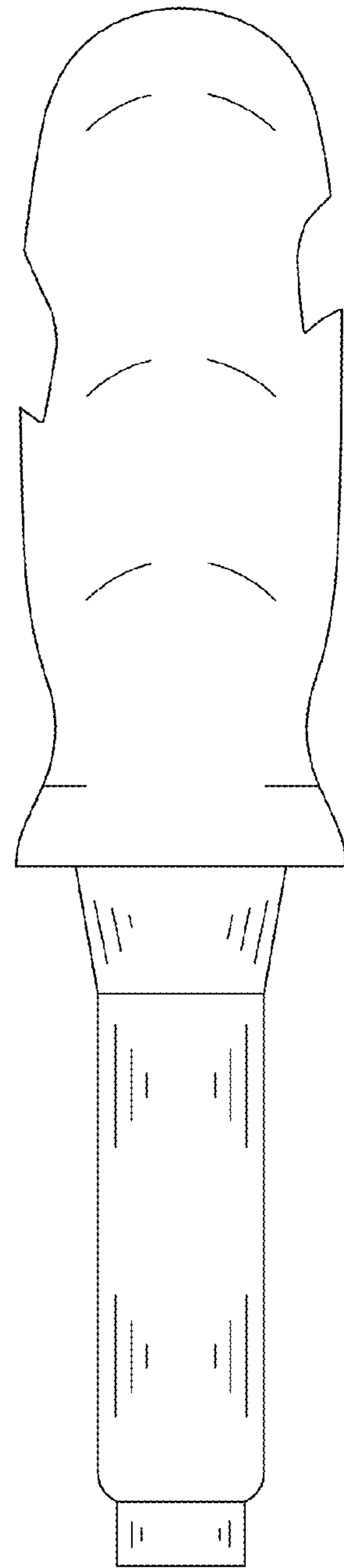


FIG.3

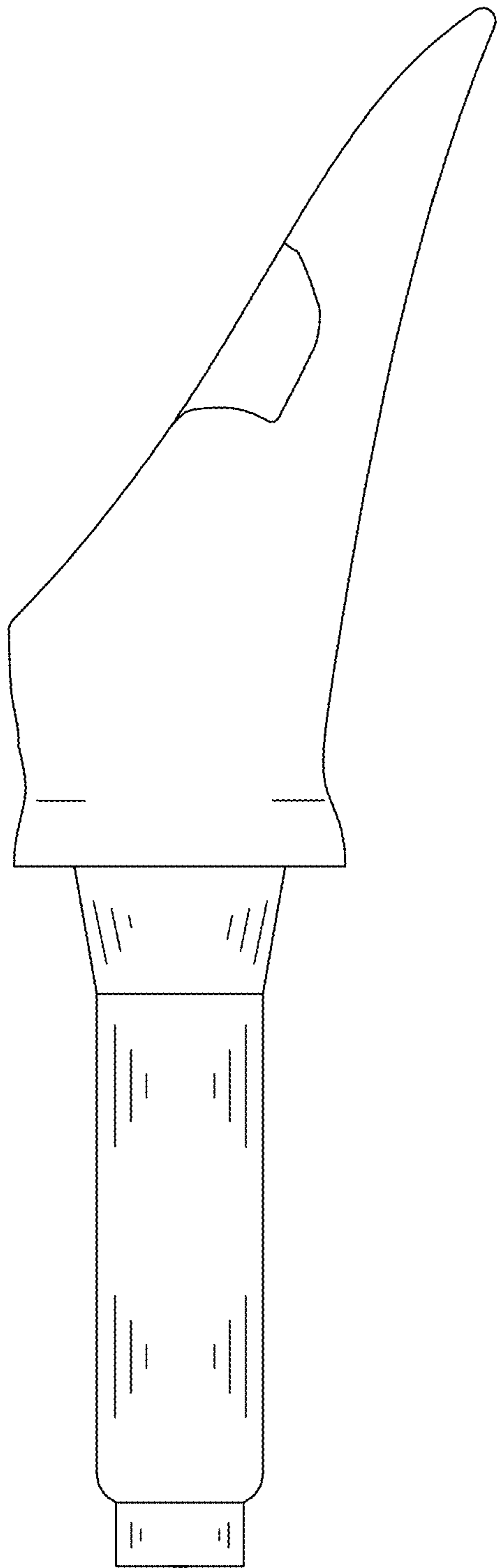


FIG. 4

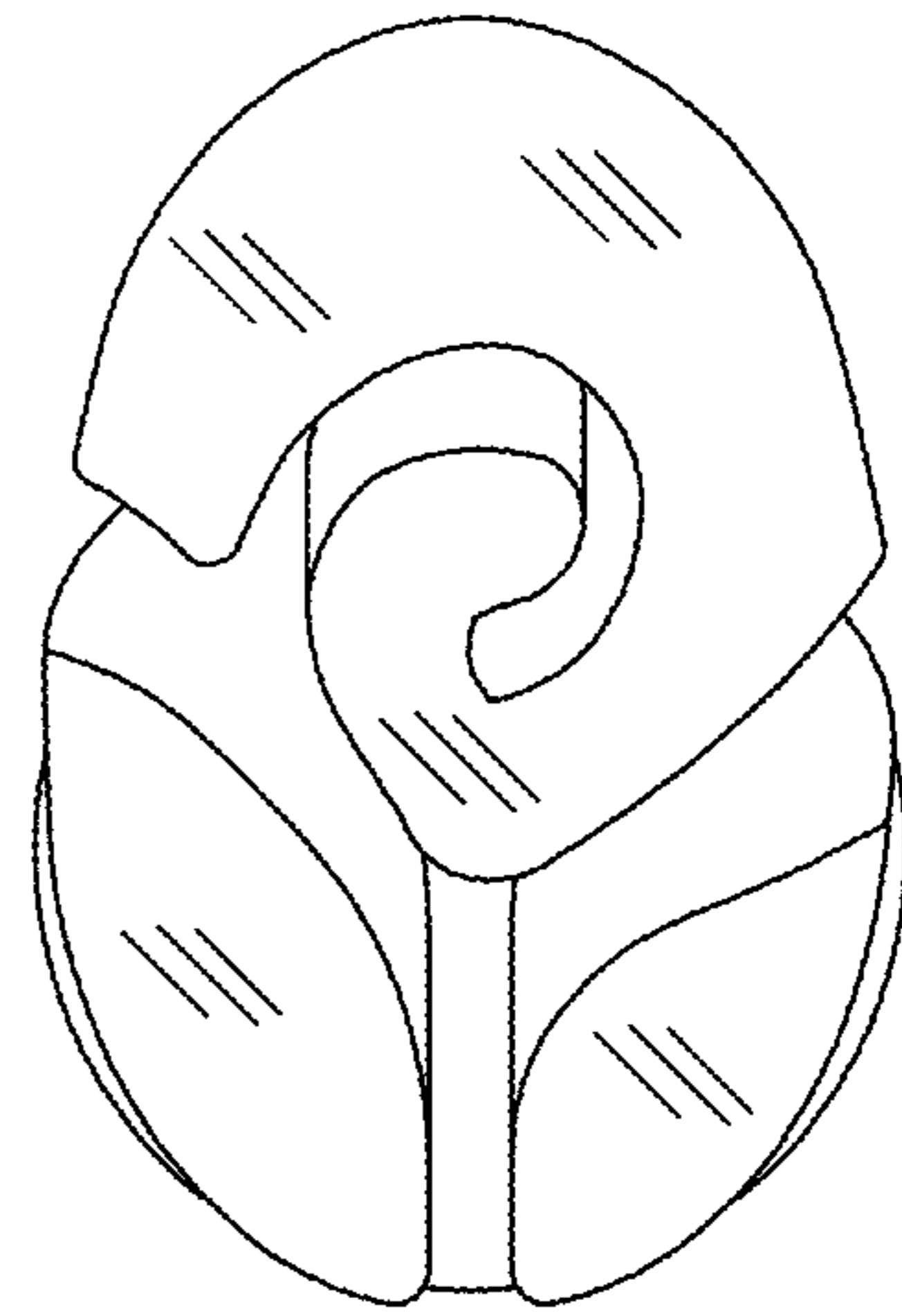


FIG. 5

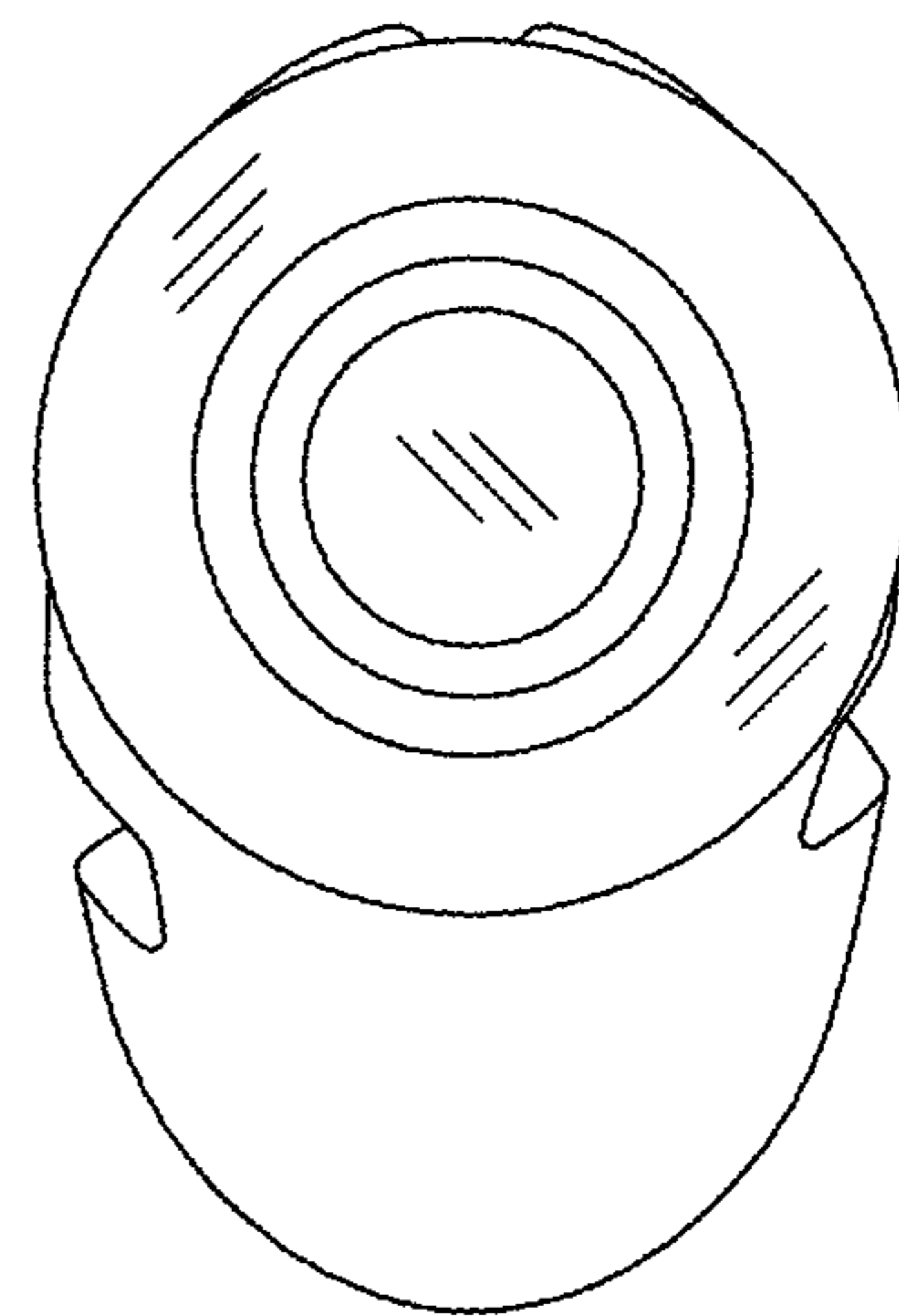


FIG. 6

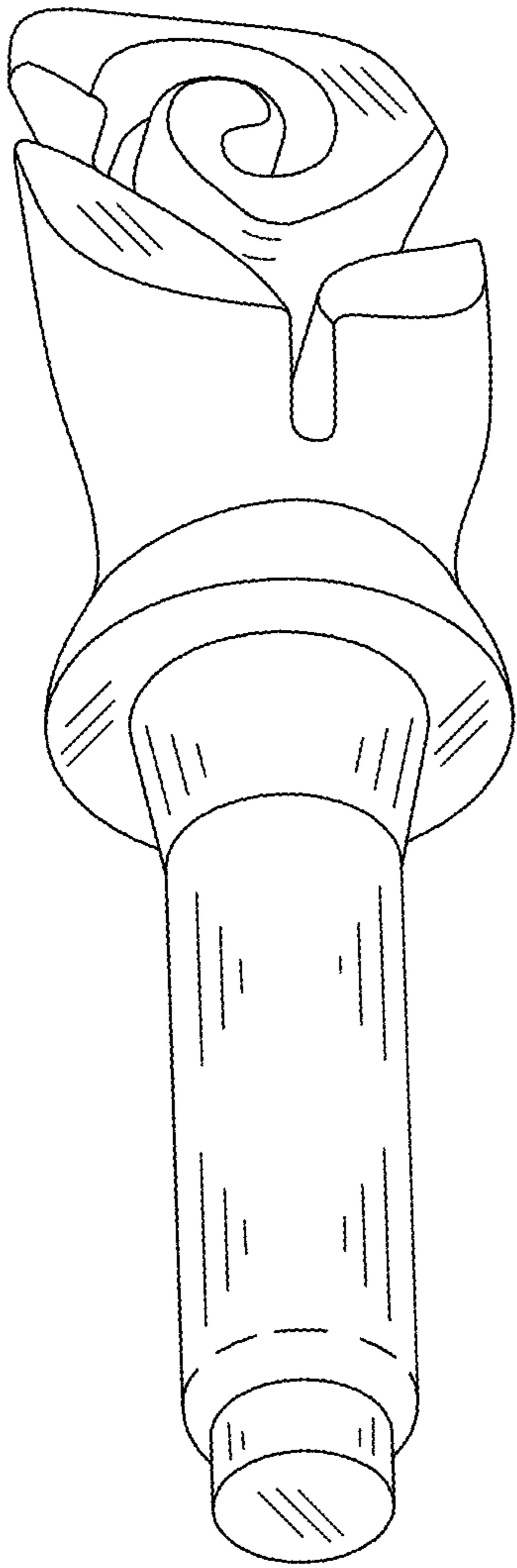


FIG.7

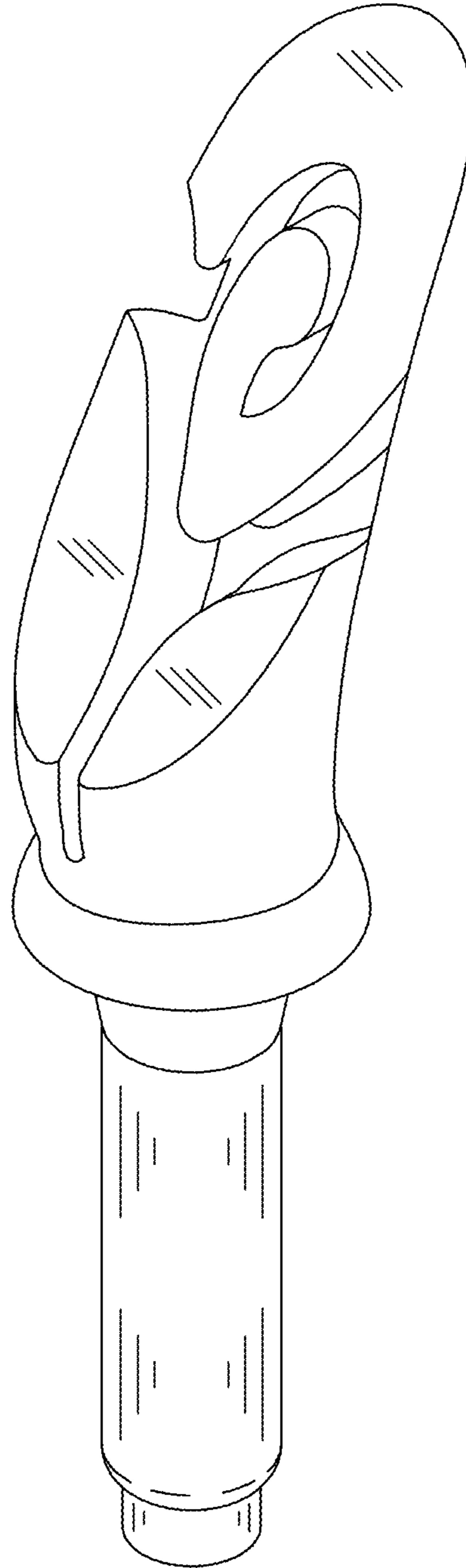


FIG.8