



US00D970104S

(12) **United States Design Patent** (10) **Patent No.:** **US D970,104 S**  
**Bianco** (45) **Date of Patent:** **\*\* Nov. 15, 2022**

(54) **COSMETIC APPLICATOR**  
 (71) Applicant: **Dorien Bianco**, Zetjun (MT)  
 (72) Inventor: **Dorien Bianco**, Zetjun (MT)  
 (\*\*) Term: **15 Years**

D643,151 S \* 8/2011 Limongi ..... D28/7  
 D729,977 S \* 5/2015 Pires ..... D28/7  
 D890,986 S \* 7/2020 Choi ..... D28/7  
 D898,995 S \* 10/2020 Jung ..... D28/7  
 D917,780 S \* 4/2021 Roh ..... D28/7

\* cited by examiner

Primary Examiner — Zenia I Bennett

(21) Appl. No.: **29/773,901**  
 (22) Filed: **Mar. 12, 2021**  
 (51) **LOC (13) Cl.** ..... **28-03**  
 (52) **U.S. Cl.**  
 USPC ..... **D28/7**  
 (58) **Field of Classification Search**  
 USPC ..... D28/7, 20, 76, 85; D19/36  
 CPC . A45D 40/20; A45D 40/24; A45D 2200/1072  
 See application file for complete search history.

(57) **CLAIM**

I, claim the ornamental design for a cosmetic applicator, as shown and described.

**DESCRIPTION**

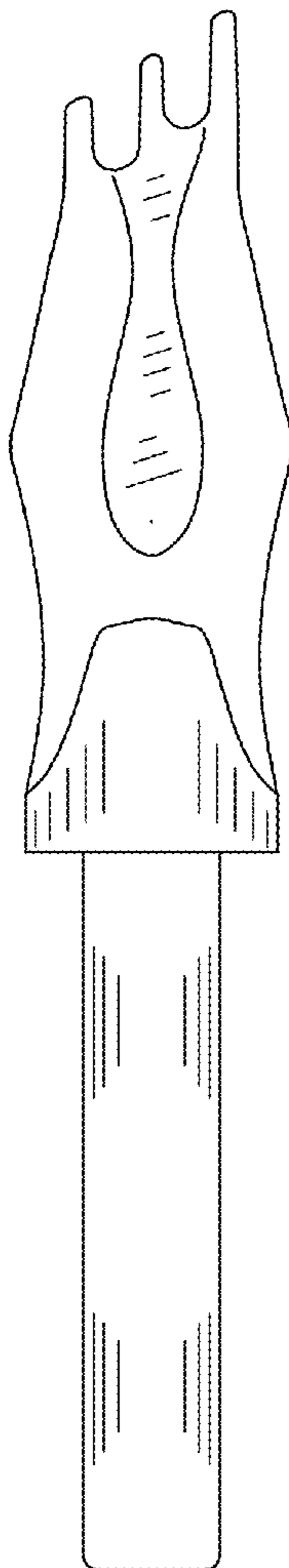
FIG. 1 is a front elevation view of a cosmetic applicator showing my new design.  
 FIG. 2 is a left hand side elevation view of FIG. 1.  
 FIG. 3 is a right hand side elevation view FIG. 1.  
 FIG. 4 is a rear elevation view of FIG. 1.  
 FIG. 5 is a top elevation view of FIG. 1.  
 FIG. 6 is a bottom elevation view of FIG. 1.  
 FIG. 7 is an isometric view of FIG. 1; and,  
 FIG. 8 is a bottom isometric view of FIG. 7.

(56) **References Cited**

U.S. PATENT DOCUMENTS

D541,979 S \* 5/2007 Montoli ..... D28/7  
 D638,990 S \* 5/2011 Limongi ..... D28/7  
 D641,929 S \* 7/2011 Poletto ..... D28/7

**1 Claim, 3 Drawing Sheets**



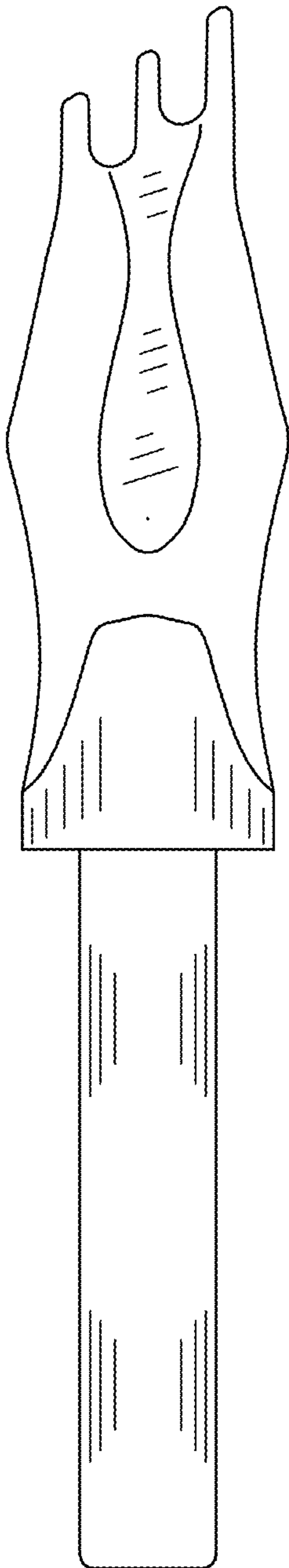


FIG.1

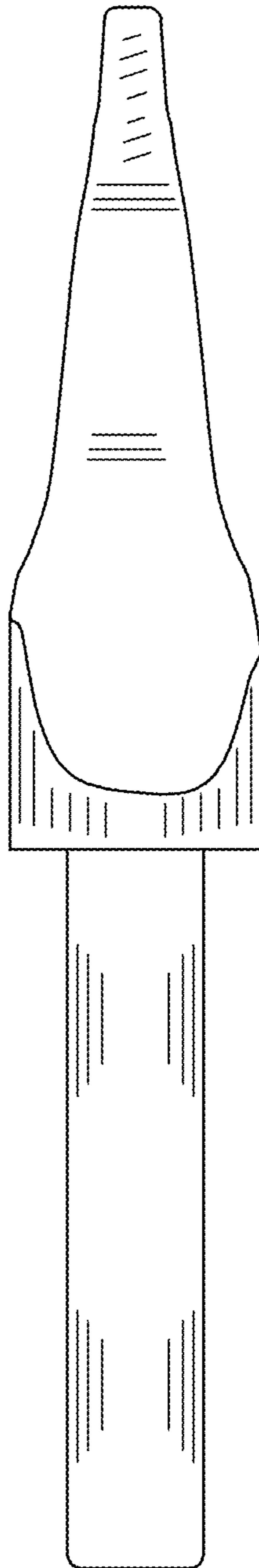


FIG.2

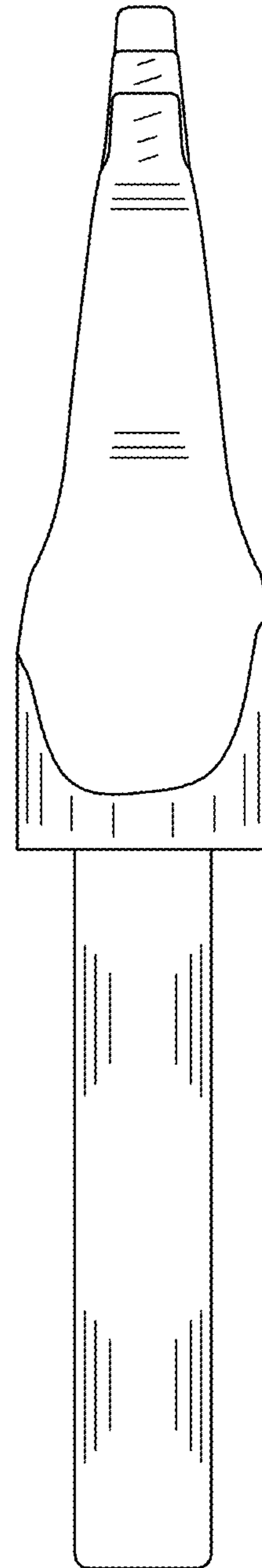


FIG.3

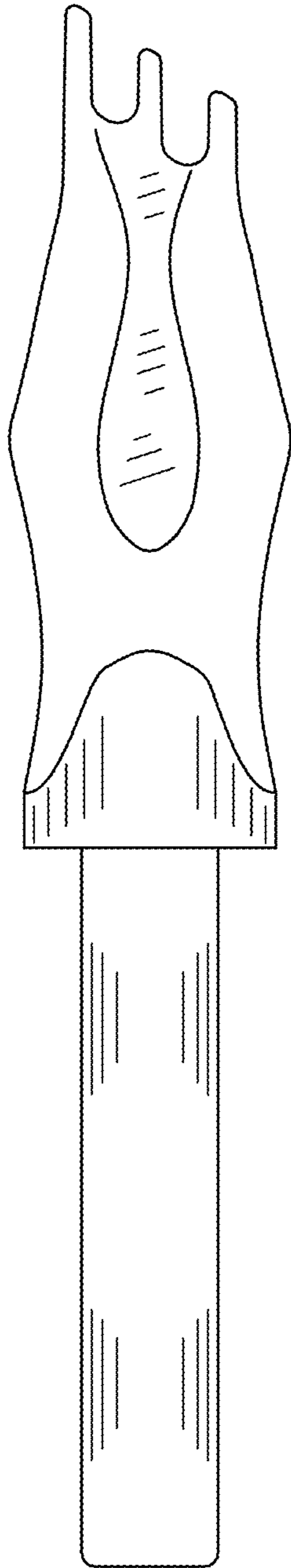


FIG. 4

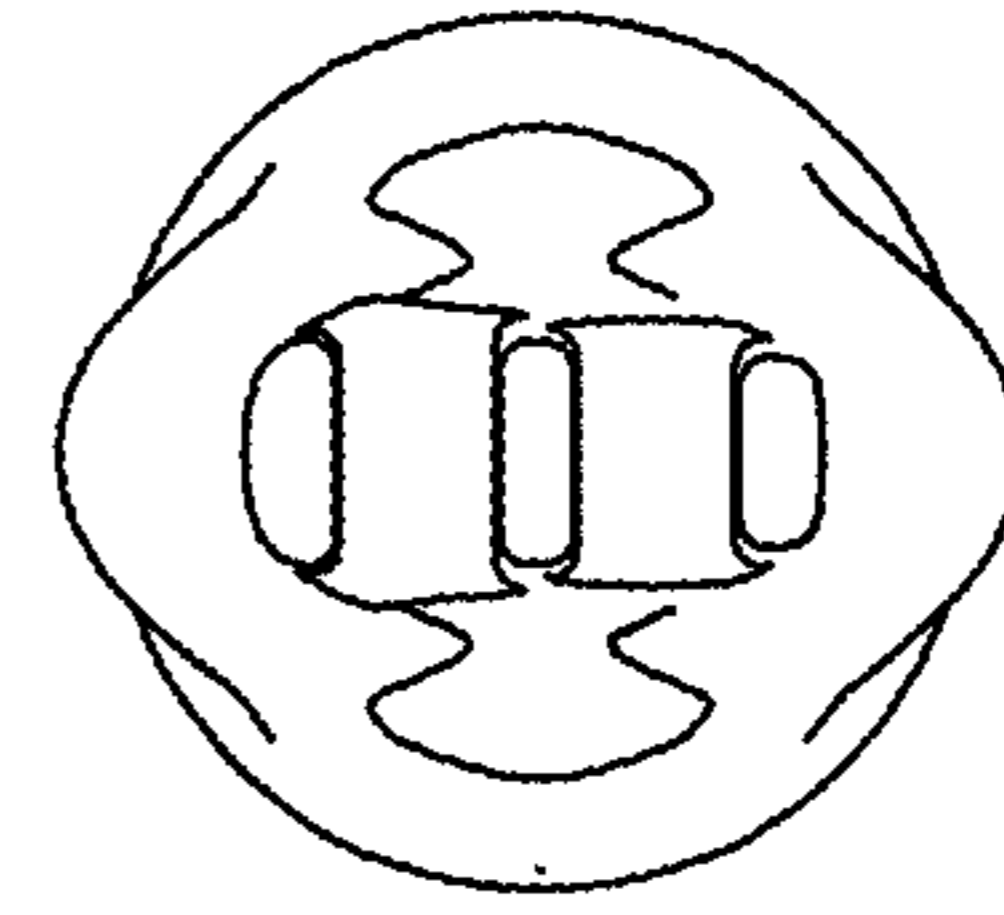


FIG. 5

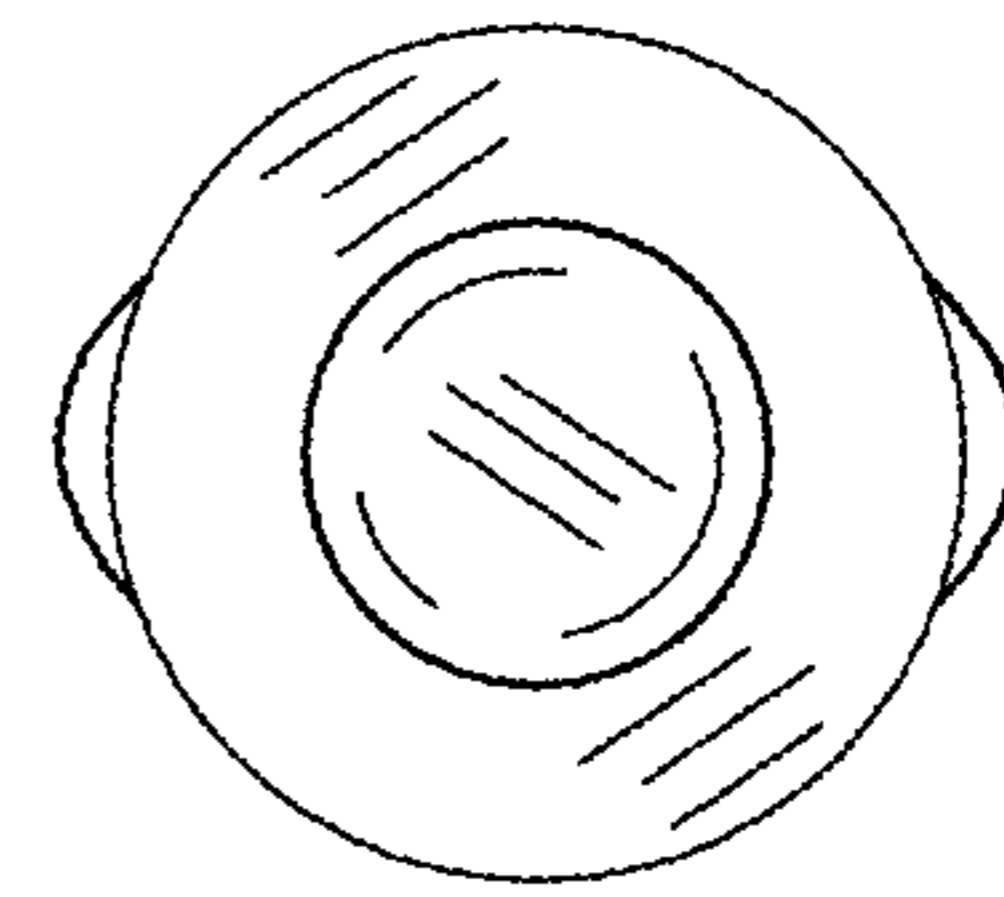


FIG. 6

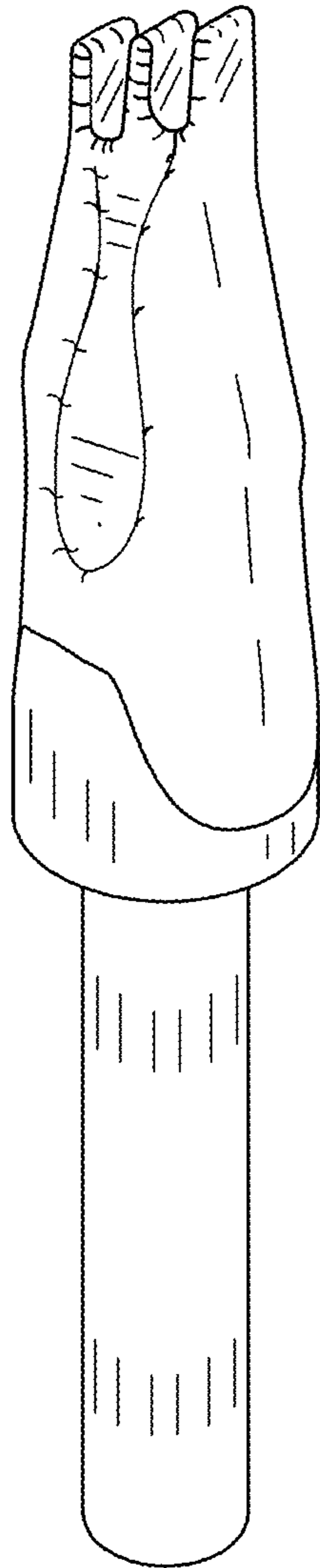


FIG.7

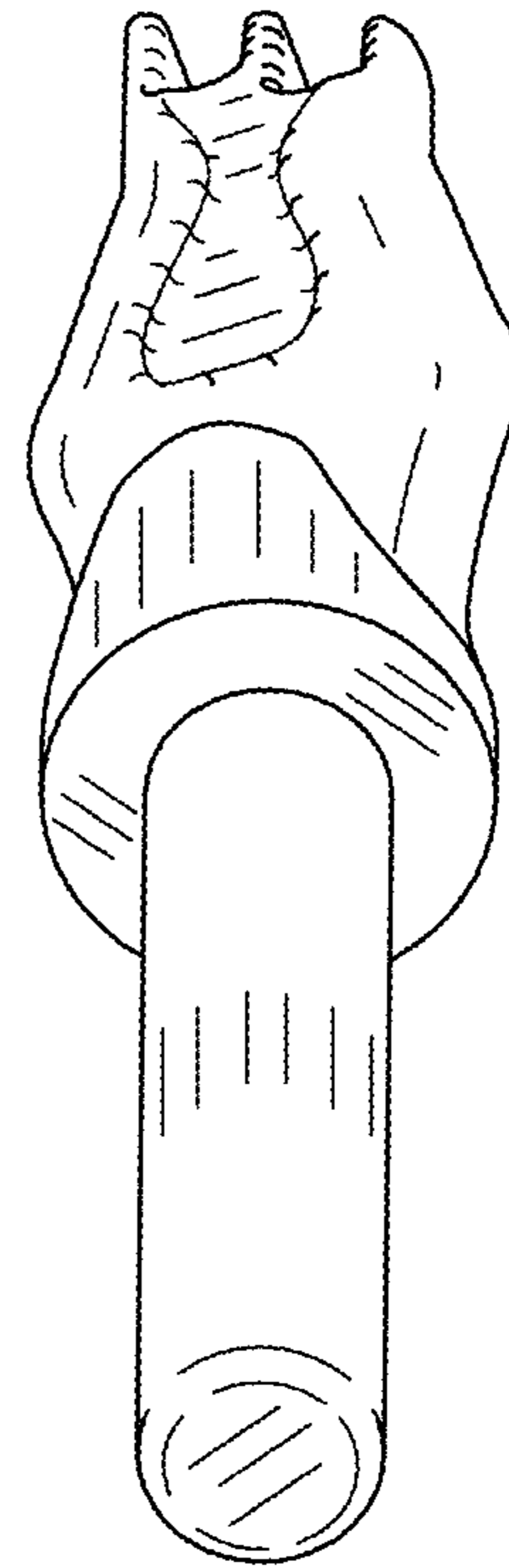


FIG.8