



US00D970099S

(12) **United States Design Patent** (10) **Patent No.:** **US D970,099 S**  
**Zu** (45) **Date of Patent:** **\*\* Nov. 15, 2022**

(54) **ELECTRONIC ATOMIZING DEVICE ASSEMBLY**  
(71) Applicant: **Shenzhen Smoore Technology Limited**, Shenzhen (CN)  
(72) Inventor: **Yue Zu**, Shenzhen (CN)  
(73) Assignee: **SHENZHEN SMOORE TECHNOLOGY LIMITED**, Shenzhen (CN)

(\*\*) Term: **15 Years**

(21) Appl. No.: **29/764,931**

(22) Filed: **Jan. 4, 2021**

(30) **Foreign Application Priority Data**

Aug. 19, 2020 (CN) ..... 202030476962.0

(51) **LOC (13) Cl.** ..... **27-02**

(52) **U.S. Cl.**  
USPC ..... **D27/162**

(58) **Field of Classification Search**  
USPC ..... D27/162, 100, 101, 163–165, 172, D27/174–176, 183, 185–194; D24/110, D24/110.5  
CPC .... A24F 47/002; A24F 47/006; A24F 47/008; A61M 15/00; A61M 15/06  
See application file for complete search history.

(56) **References Cited**

**U.S. PATENT DOCUMENTS**

D846,796 S \* 4/2019 Pan ..... D27/101  
D874,718 S \* 2/2020 Qiu ..... D27/162  
D880,053 S \* 3/2020 Han ..... D27/162  
D892,397 S \* 8/2020 Li ..... D27/162  
D898,992 S \* 10/2020 Chen ..... D27/162  
D901,761 S \* 11/2020 Zhu ..... D27/162  
D905,329 S \* 12/2020 Wang ..... D27/162  
D918,466 S \* 5/2021 Yan ..... D27/162  
D919,172 S \* 5/2021 Zu ..... D27/162  
D919,879 S \* 5/2021 Han ..... D27/162  
D921,283 S \* 6/2021 Laidlaw ..... D27/162

D927,056 S \* 8/2021 Zeng ..... D27/162  
D927,772 S \* 8/2021 Han ..... D27/162  
D929,649 S \* 8/2021 Wang ..... D27/162  
D930,234 S \* 9/2021 Wang ..... D27/162  
D930,235 S \* 9/2021 Liu ..... D27/162  
D936,896 S \* 11/2021 Farrow ..... D27/162  
D937,476 S \* 11/2021 Zu ..... D27/162  
D943,149 S \* 2/2022 Dabish ..... D27/162  
D948,108 S \* 4/2022 He ..... D27/162  
D948,782 S \* 4/2022 Zhang ..... D27/162  
D949,462 S \* 4/2022 Wang ..... D27/162  
D950,145 S \* 4/2022 Li ..... D27/162  
D950,146 S \* 4/2022 Li ..... D27/162  
D950,150 S \* 4/2022 Ding ..... D27/167

\* cited by examiner

*Primary Examiner* — Rebecca Tsehaye

(57) **CLAIM**

The ornamental design for an electronic atomizing device assembly, as shown and described.

**DESCRIPTION**

FIG. 1 is a perspective view of an electronic atomizing device assembly according to the first embodiment where the first and the second component are shown in an assembled state of use;  
FIG. 2 is another perspective view thereof;  
FIG. 3 is a front elevational view thereof;  
FIG. 4 is a rear elevational view thereof;  
FIG. 5 is a left side elevational view thereof;  
FIG. 6 is a right side elevational view thereof;  
FIG. 7 is an enlarged top plan view thereof;  
FIG. 8 is an enlarged bottom plan view thereof;  
FIG. 9 is a perspective view of the electronic atomizing device assembly showing the first component removed from the assembly in FIGS. 1-8 for clarity of disclosure;  
FIG. 10 is another perspective view thereof;  
FIG. 11 is a front elevational view thereof;  
FIG. 12 is a rear elevational view thereof;  
FIG. 13 is a left side elevational view thereof;  
FIG. 14 is a right side elevational view thereof;  
FIG. 15 is a top plan view thereof;  
FIG. 16 is a bottom plan view thereof;

(Continued)

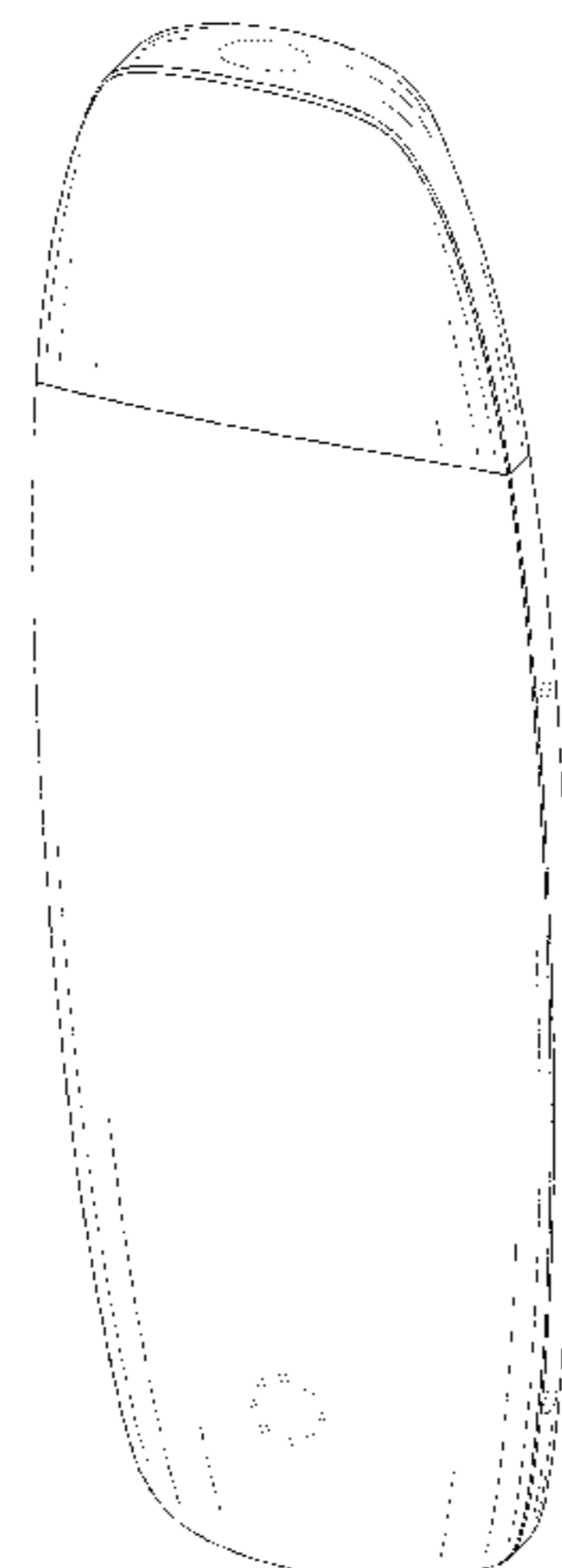


FIG. 17 is a perspective view of the electronic atomizing device assembly showing the second component removed from the assembly in FIGS. 1-8 for clarity of disclosure; FIG. 18 is another perspective view thereof; FIG. 19 is a front elevational view thereof; FIG. 20 is a rear elevational view thereof; FIG. 21 is a left side elevational view thereof; FIG. 22 is a right side elevational view thereof; FIG. 23 is an enlarged top plan view thereof; FIG. 24 is an enlarged bottom plan view thereof; FIG. 25 is a perspective view of an electronic atomizing device assembly according to the second embodiment where the first component is shown in an assembled state of use; FIG. 26 is another perspective view thereof; FIG. 27 is a front elevational view thereof; FIG. 28 is a rear elevational view thereof; FIG. 29 is a left side elevational view thereof; FIG. 30 is a right side elevational view thereof;

FIG. 31 is an enlarged top plan view thereof; FIG. 32 is an enlarged bottom plan view thereof; FIG. 33 is a perspective view of the electronic atomizing device assembly showing the first component removed from the assembly in FIGS. 25-32 for clarity of disclosure; FIG. 34 is another perspective view thereof; FIG. 35 is a front elevational view thereof; FIG. 36 is a rear elevational view thereof; FIG. 37 is a left side elevational view thereof; FIG. 38 is a right side elevational view thereof; FIG. 39 is a top plan view thereof; and, FIG. 40 is a bottom plan view thereof. The broken lines in the drawings depict portions of the electronic atomizing device assembly that form no part of the claimed design. Oblique lines on the surfaces indicate that those surfaces are transparent.

**1 Claim, 40 Drawing Sheets**

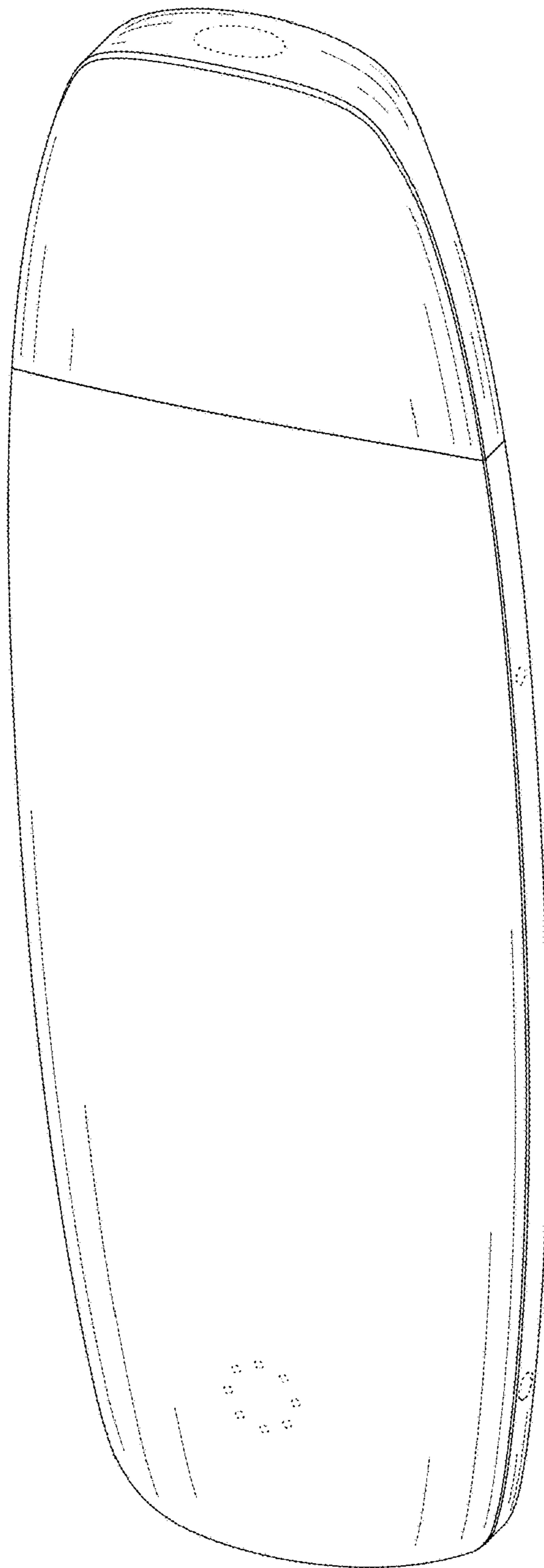


FIG. 1

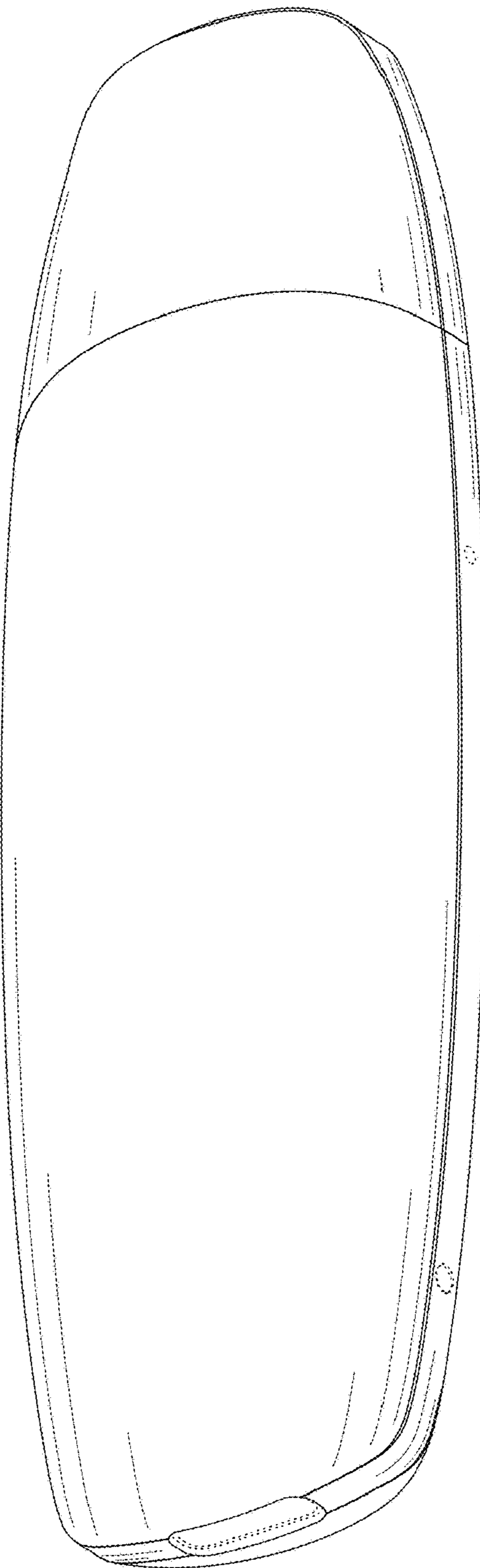


FIG. 2

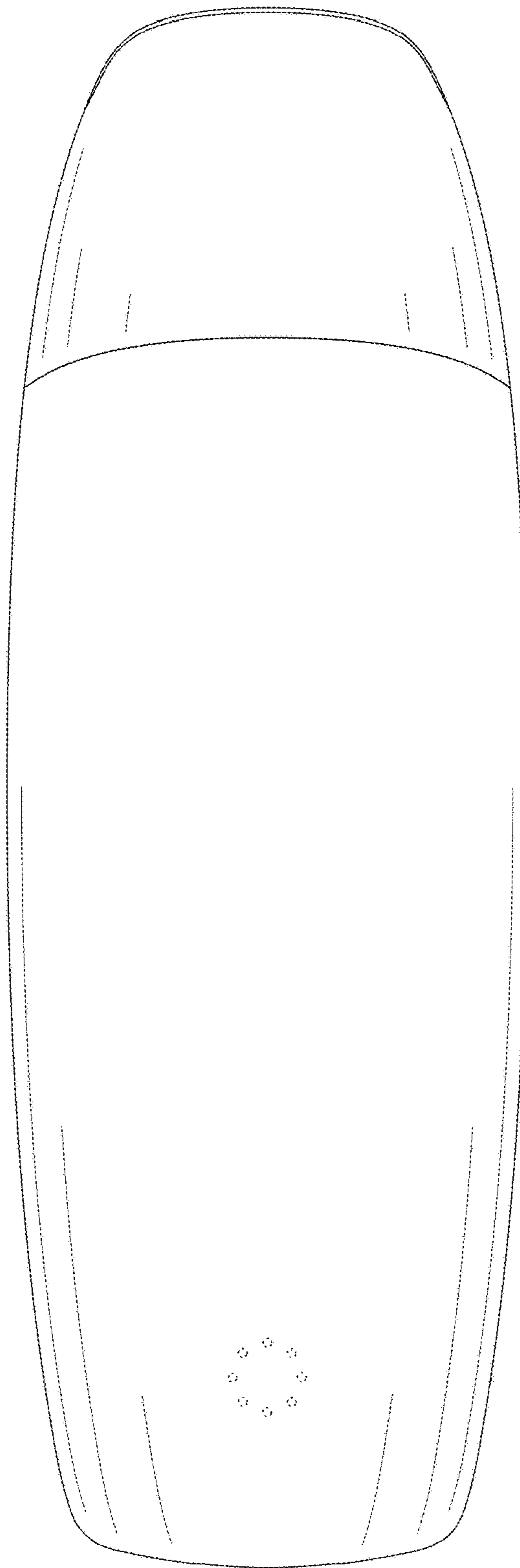


FIG. 3

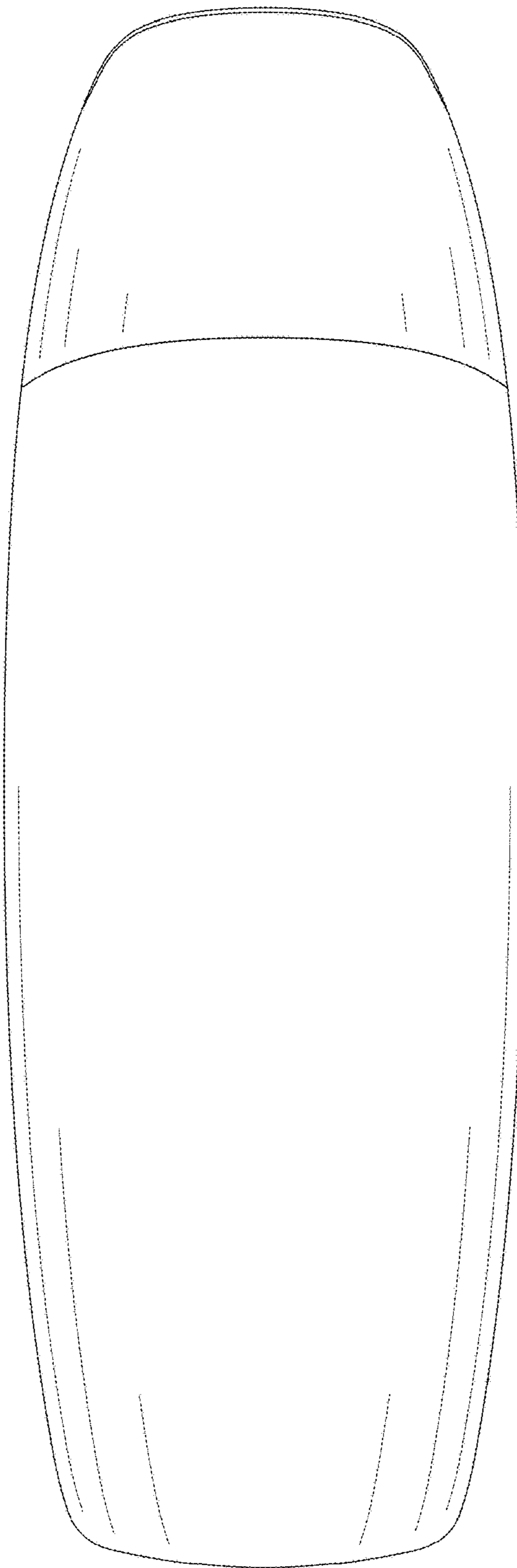


FIG. 4

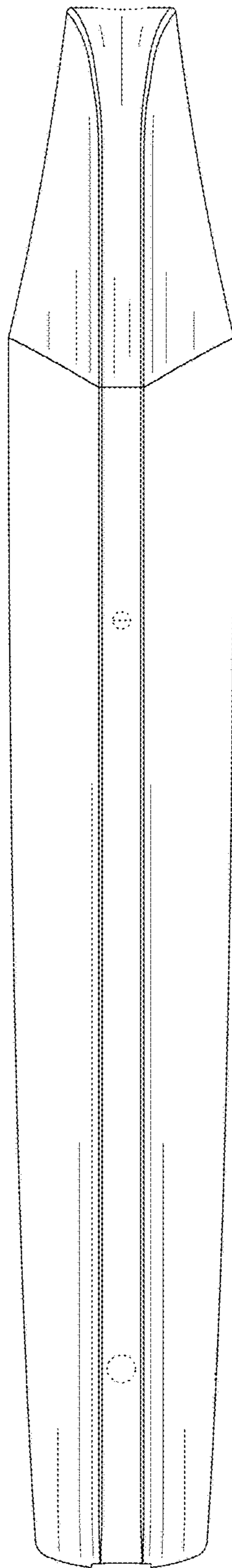


FIG. 5

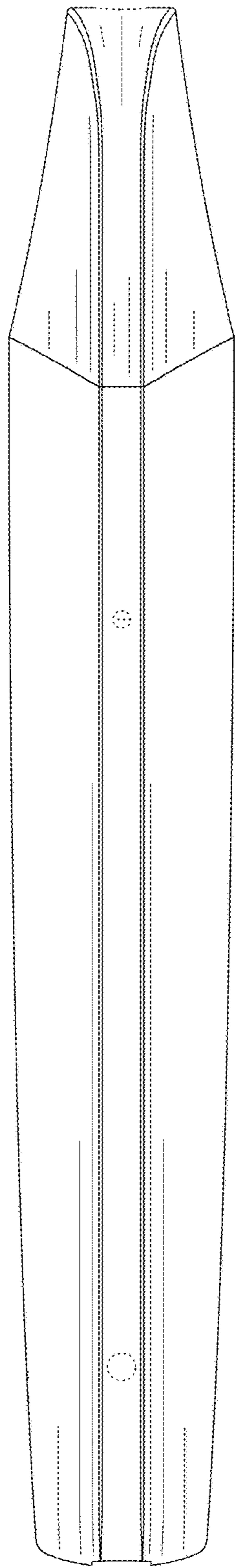


FIG. 6



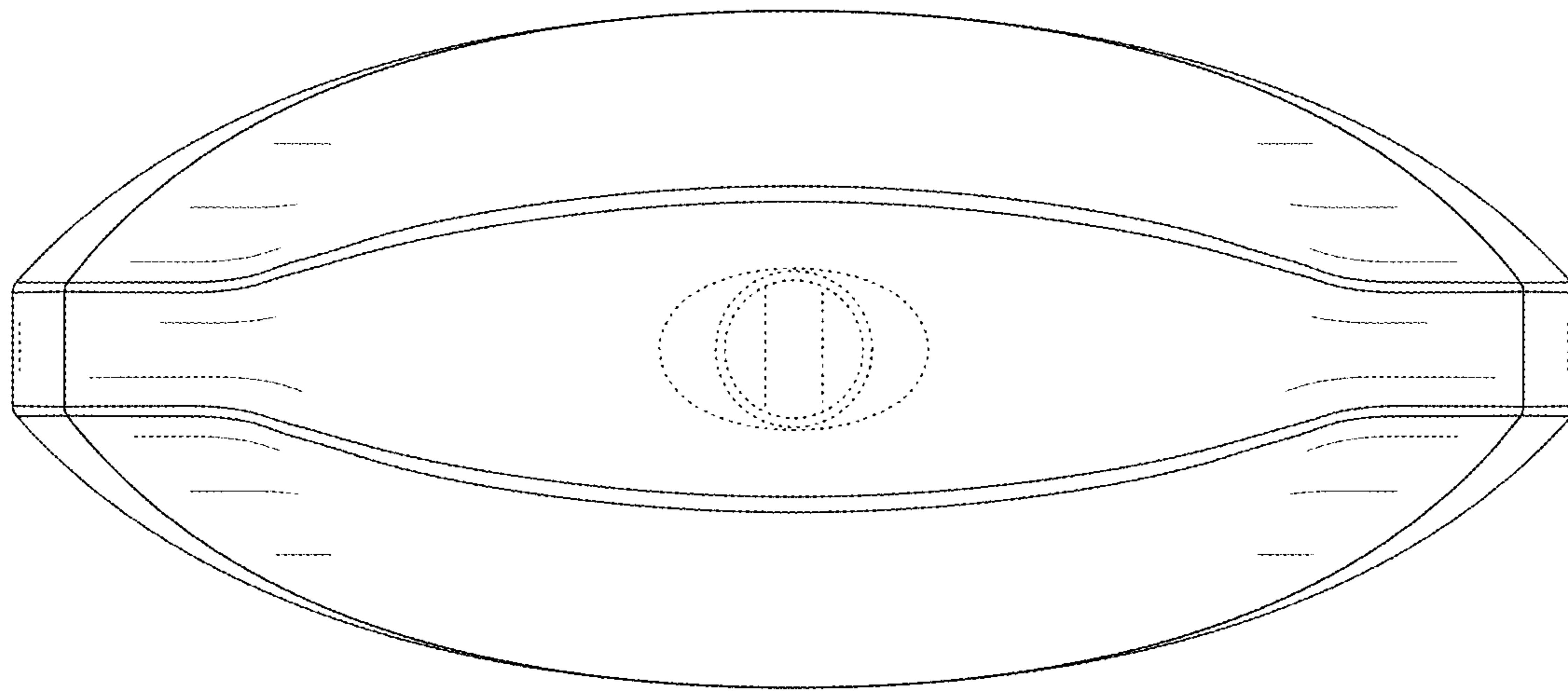


FIG. 7

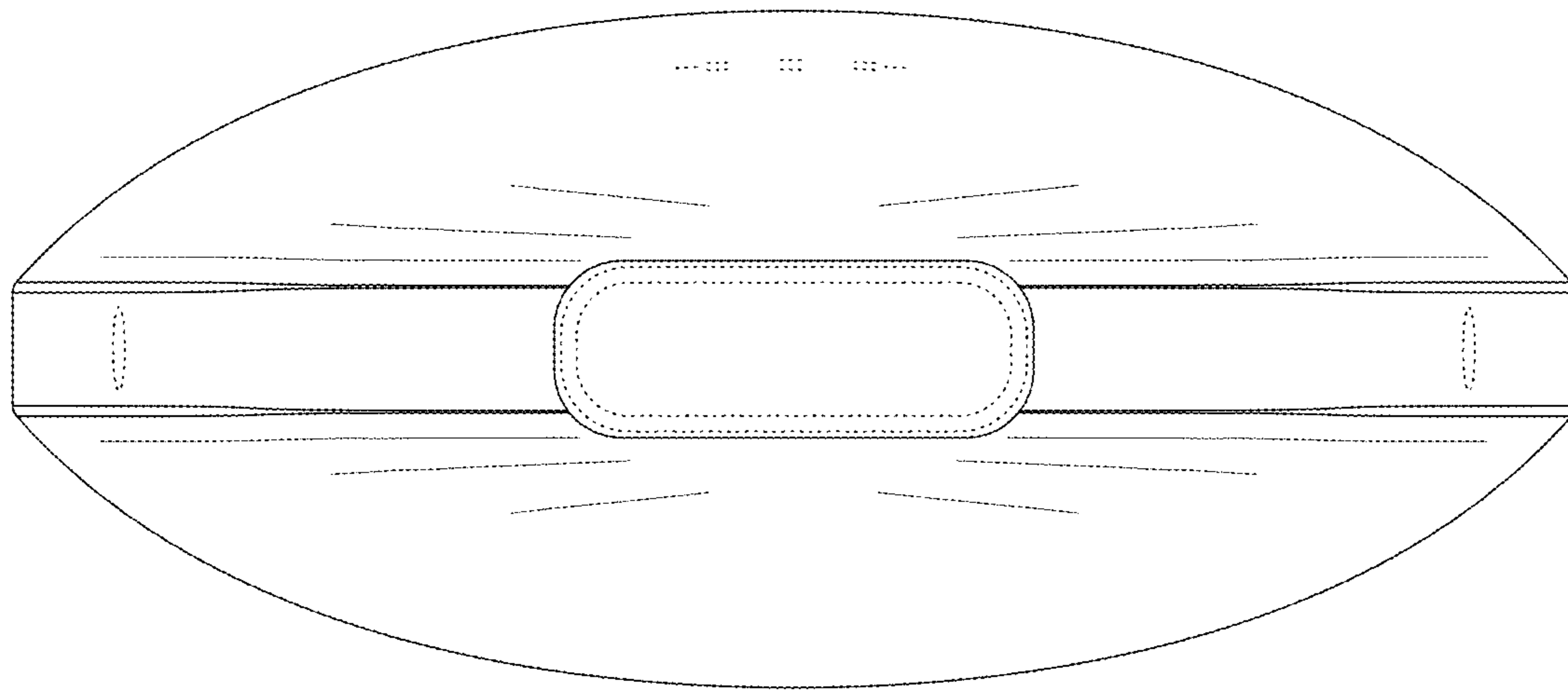


FIG. 8

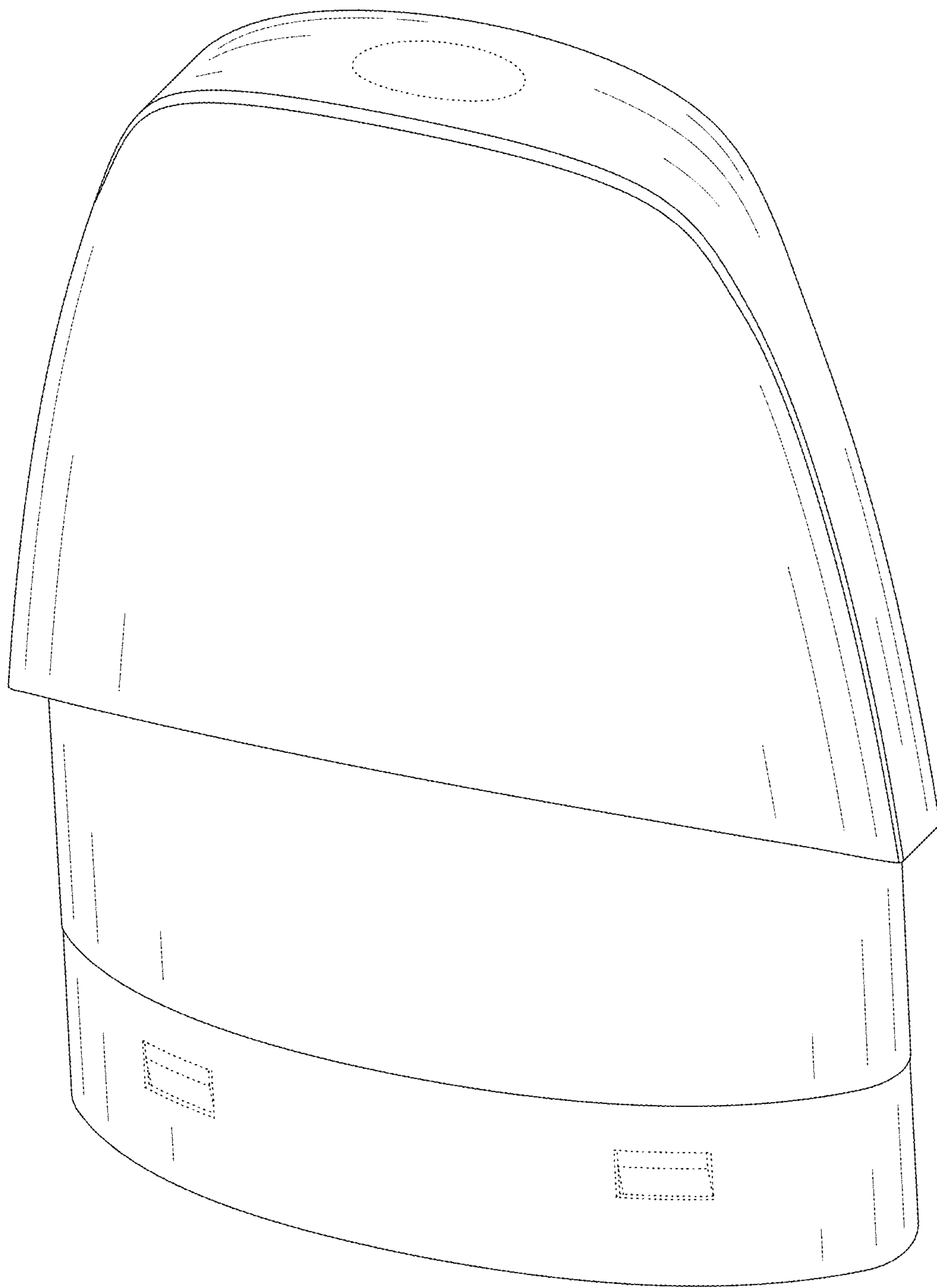


FIG. 9

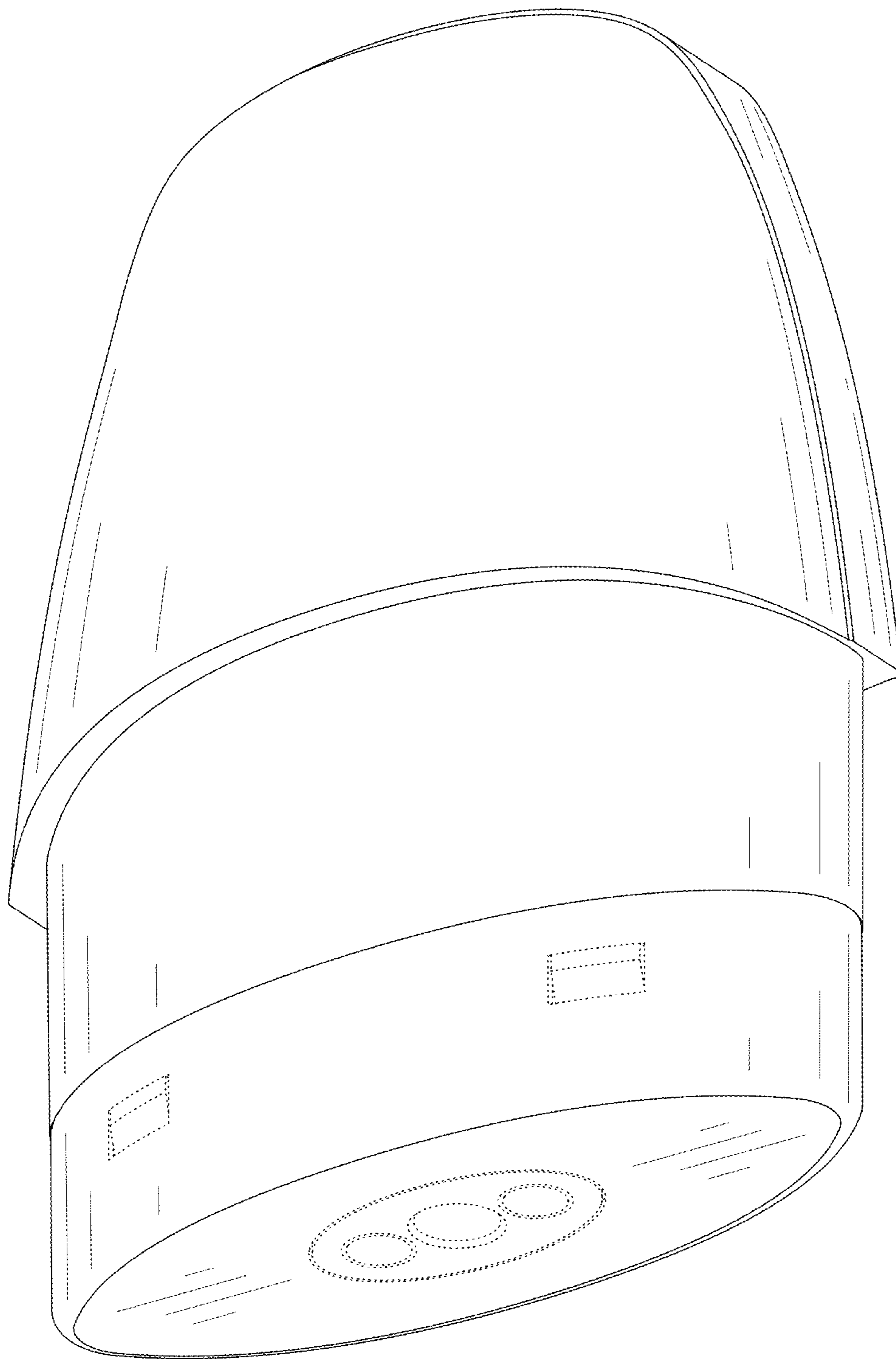


FIG. 10

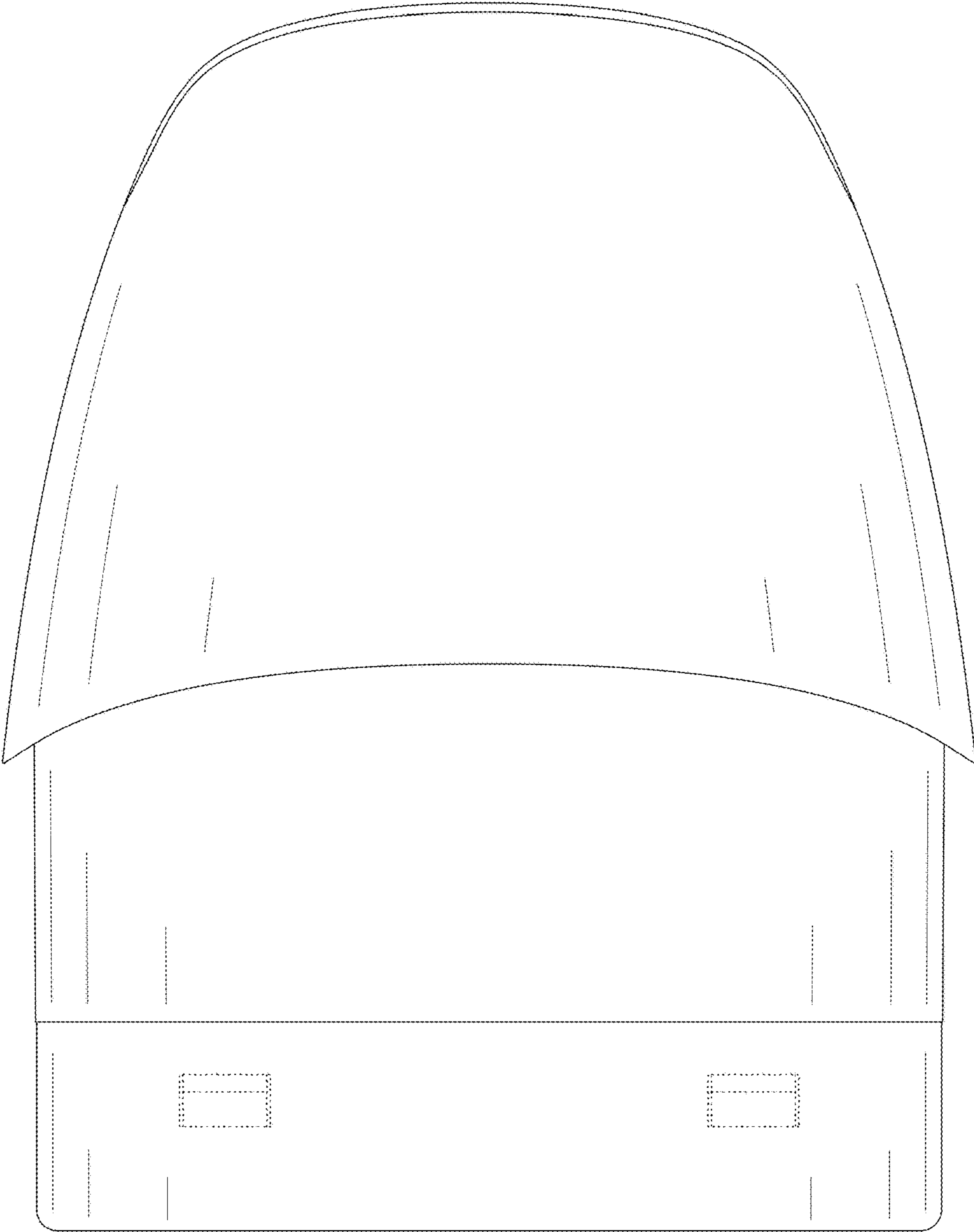


FIG. 11

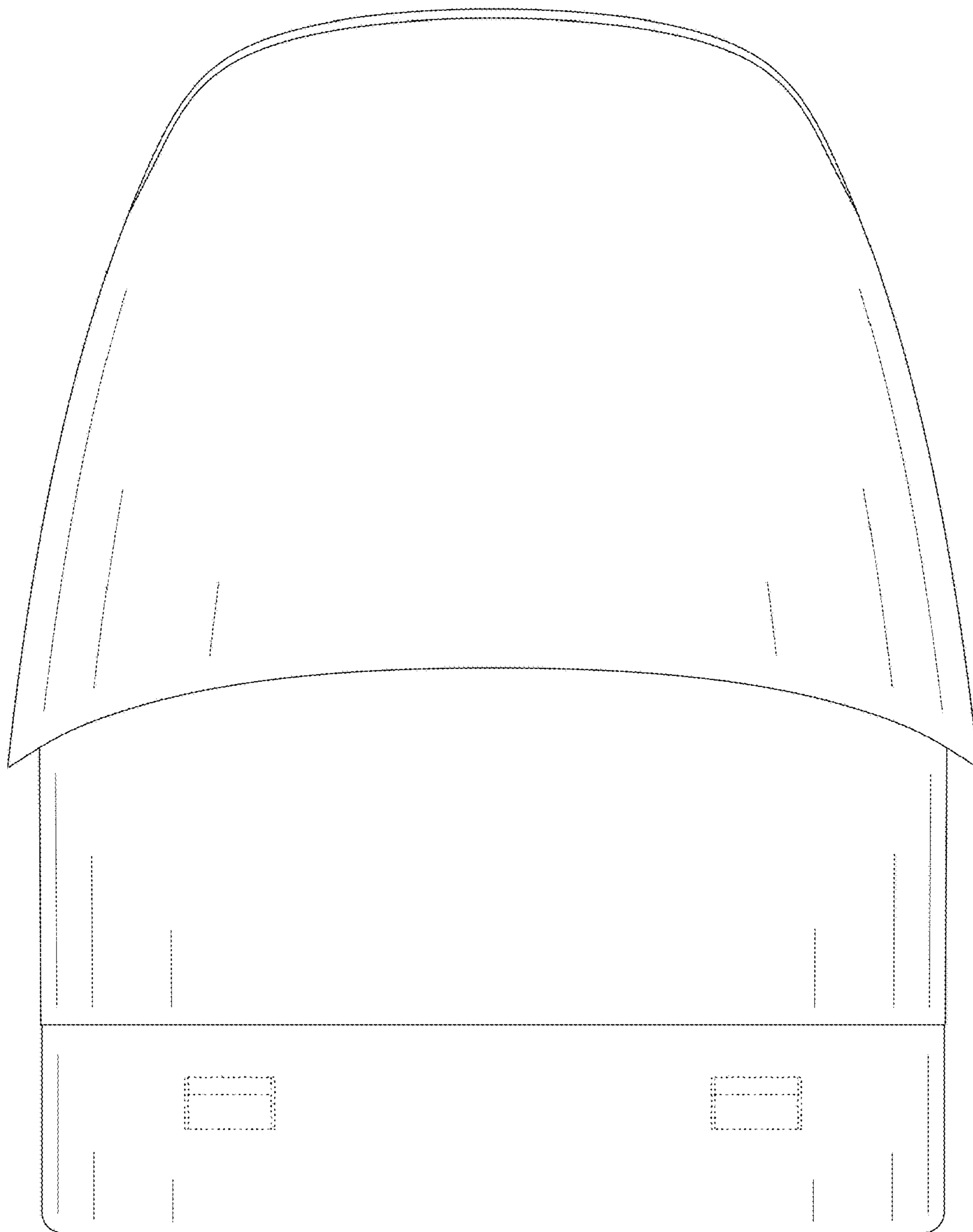


FIG. 12

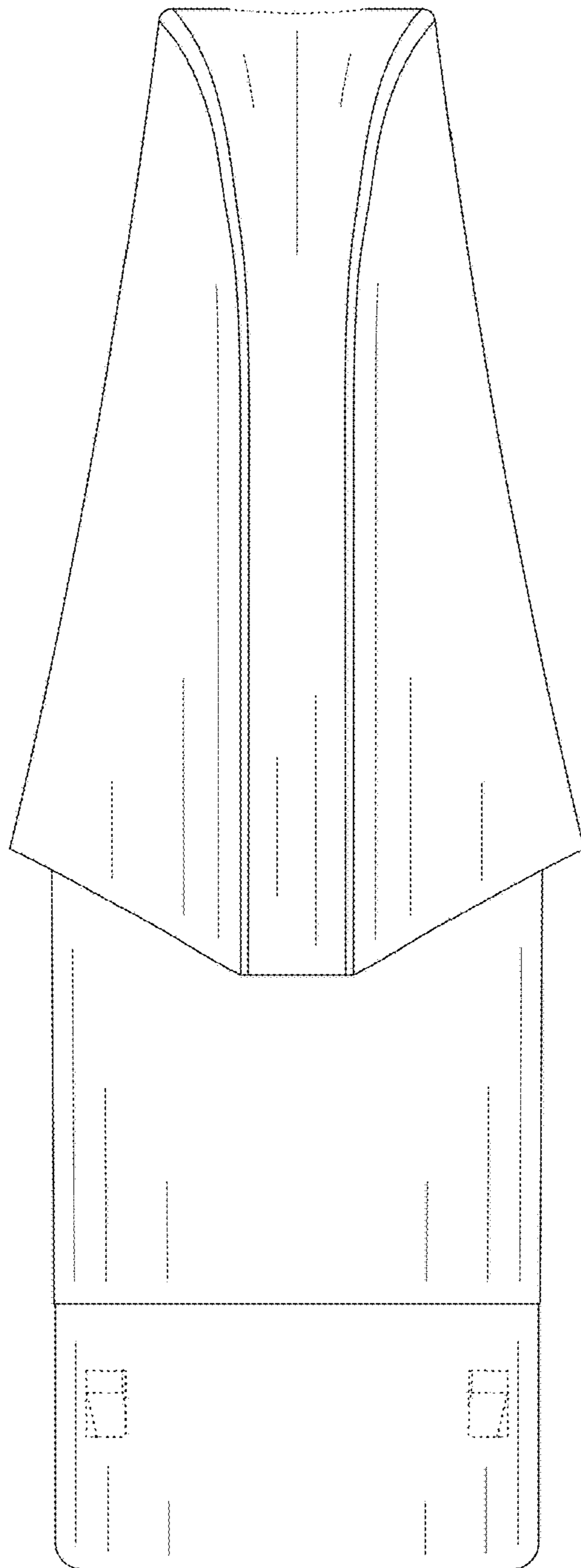


FIG. 13

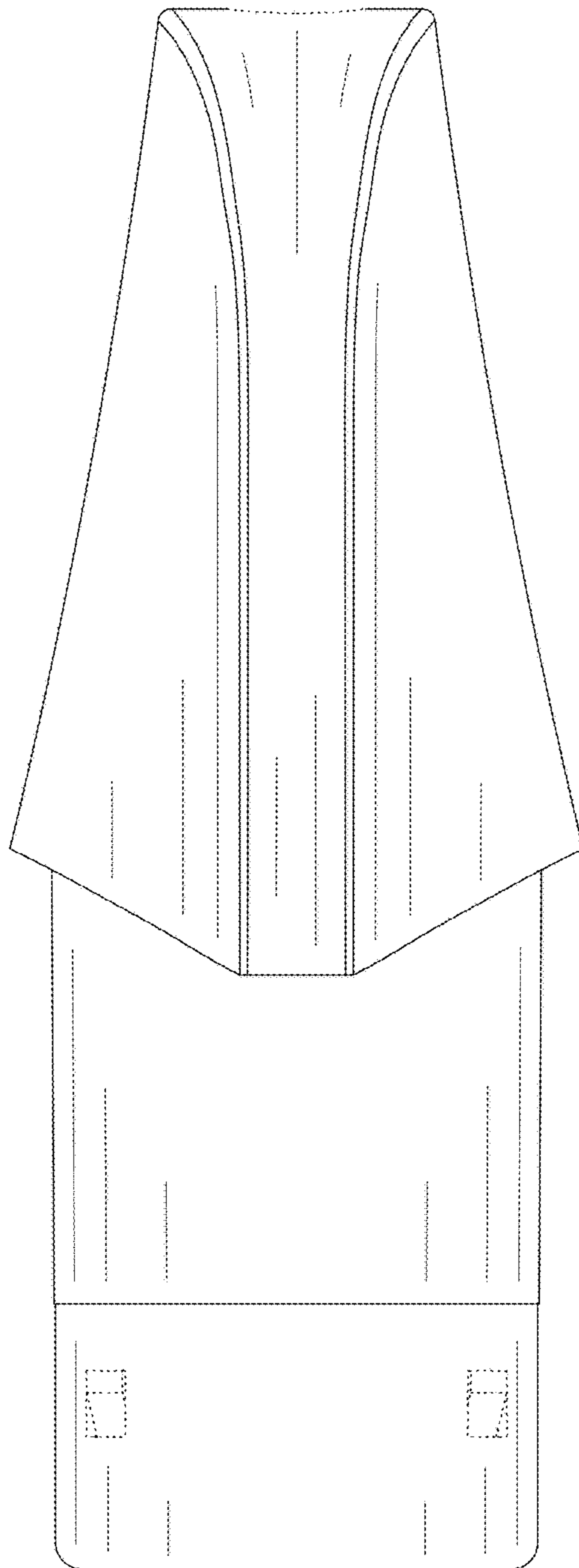


FIG. 14



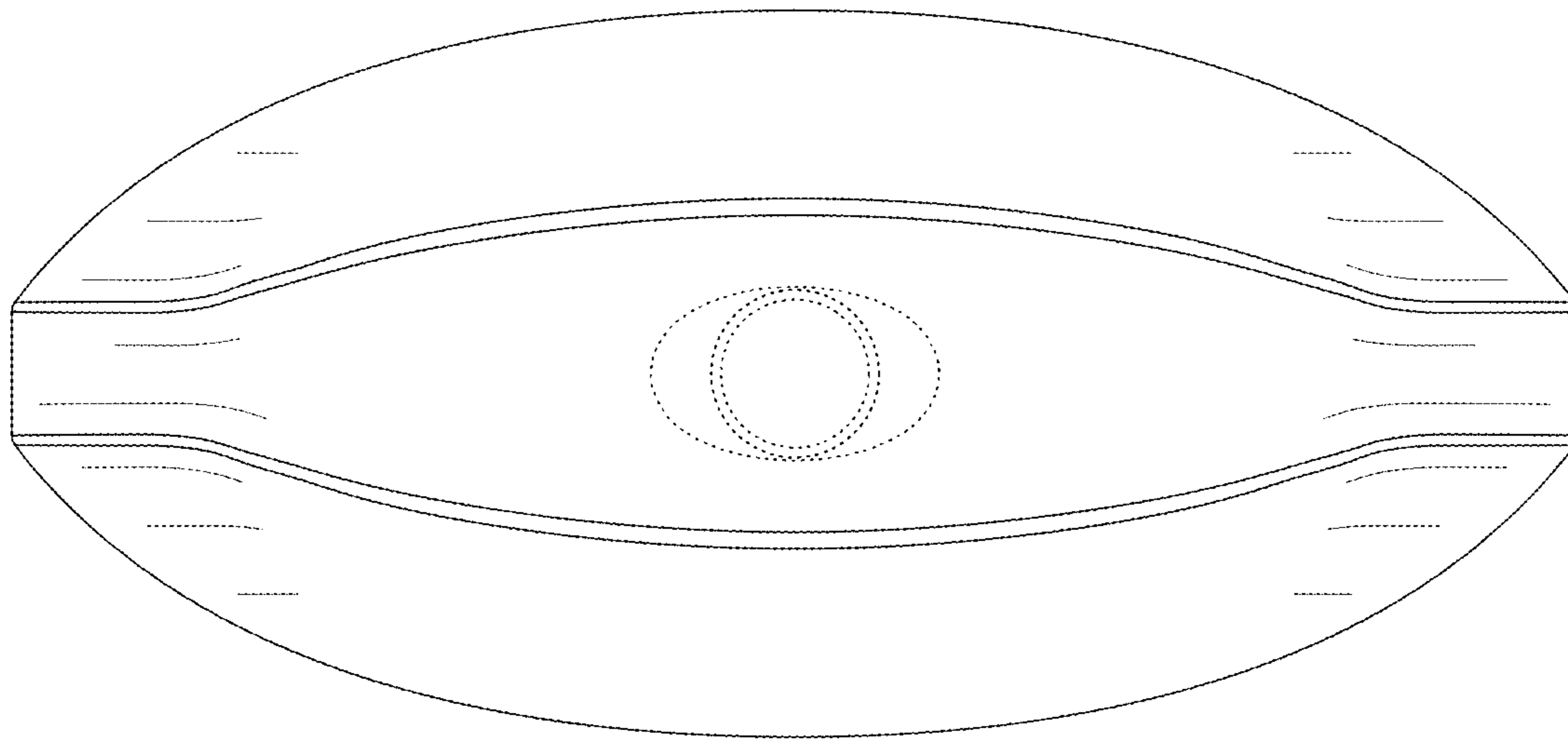


FIG. 15

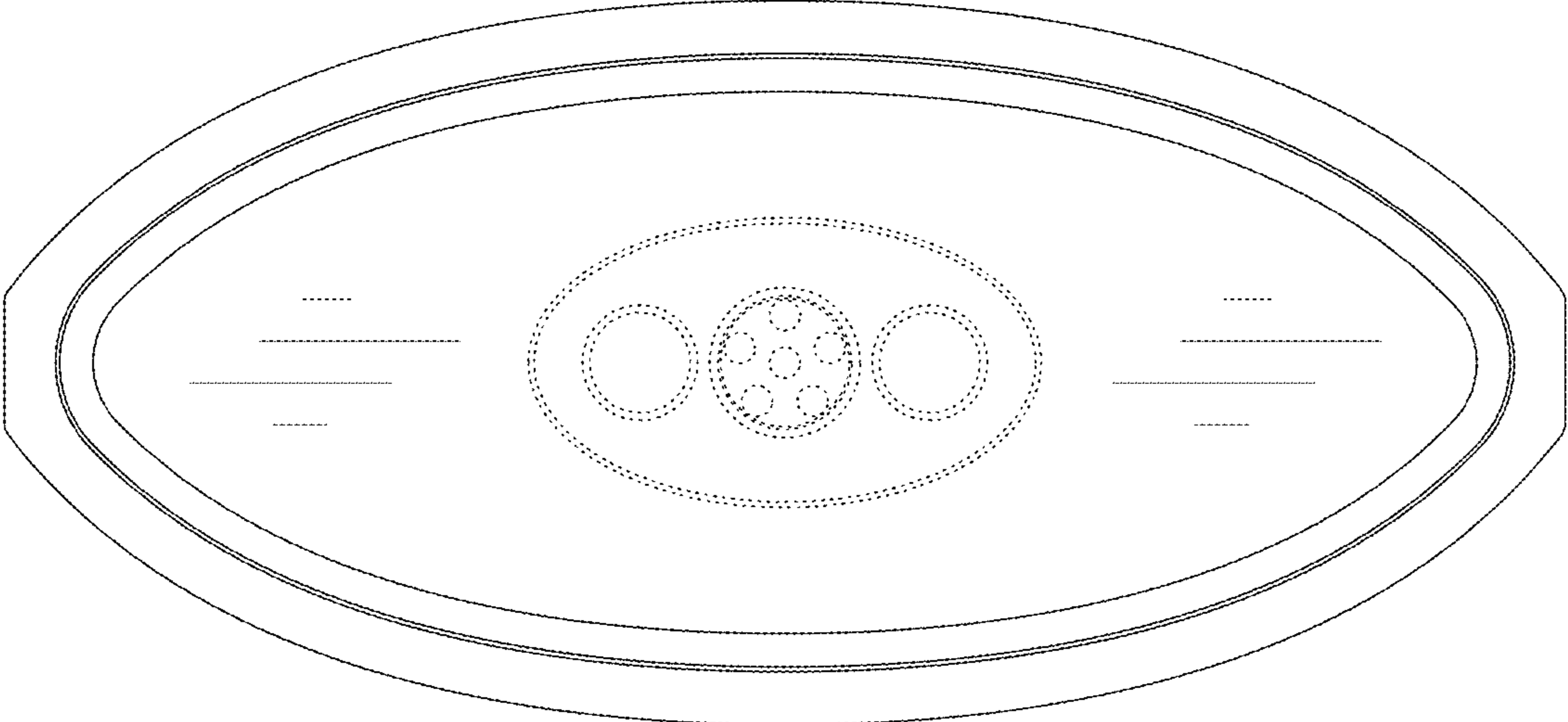


FIG. 16

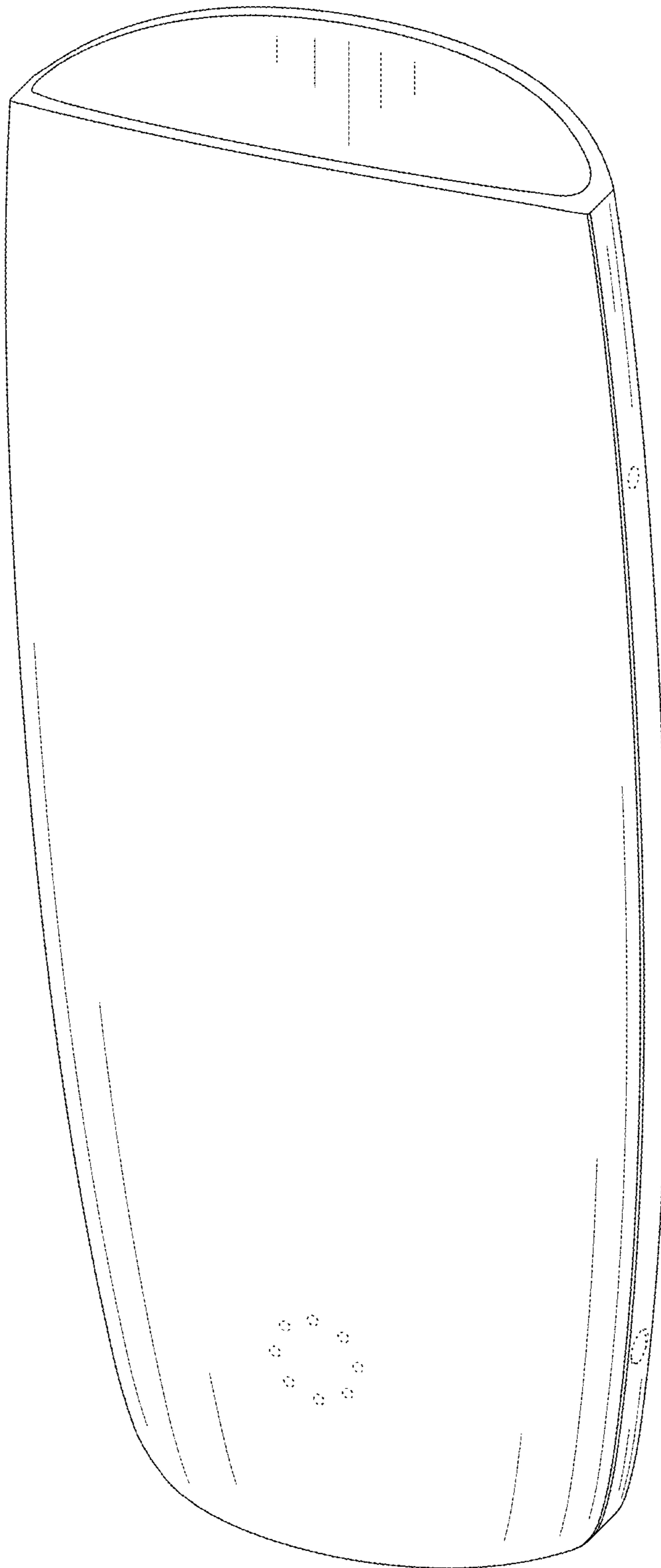


FIG. 17

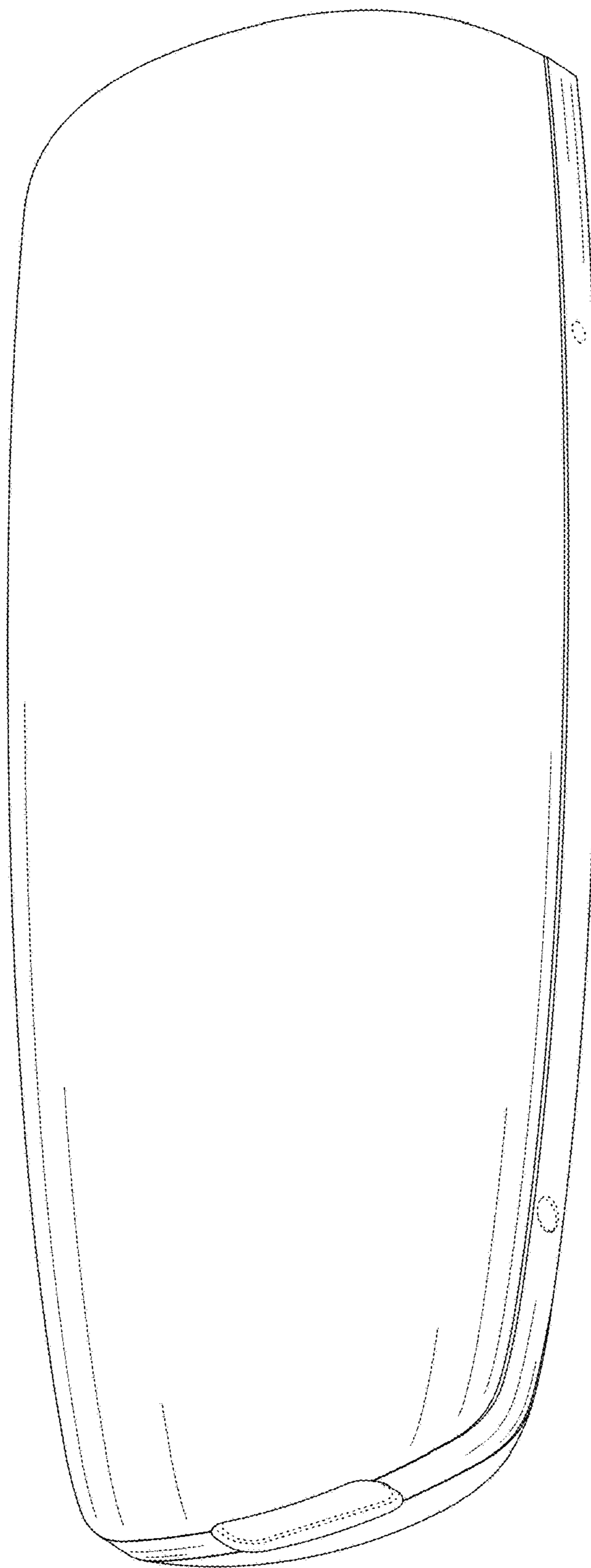


FIG. 18

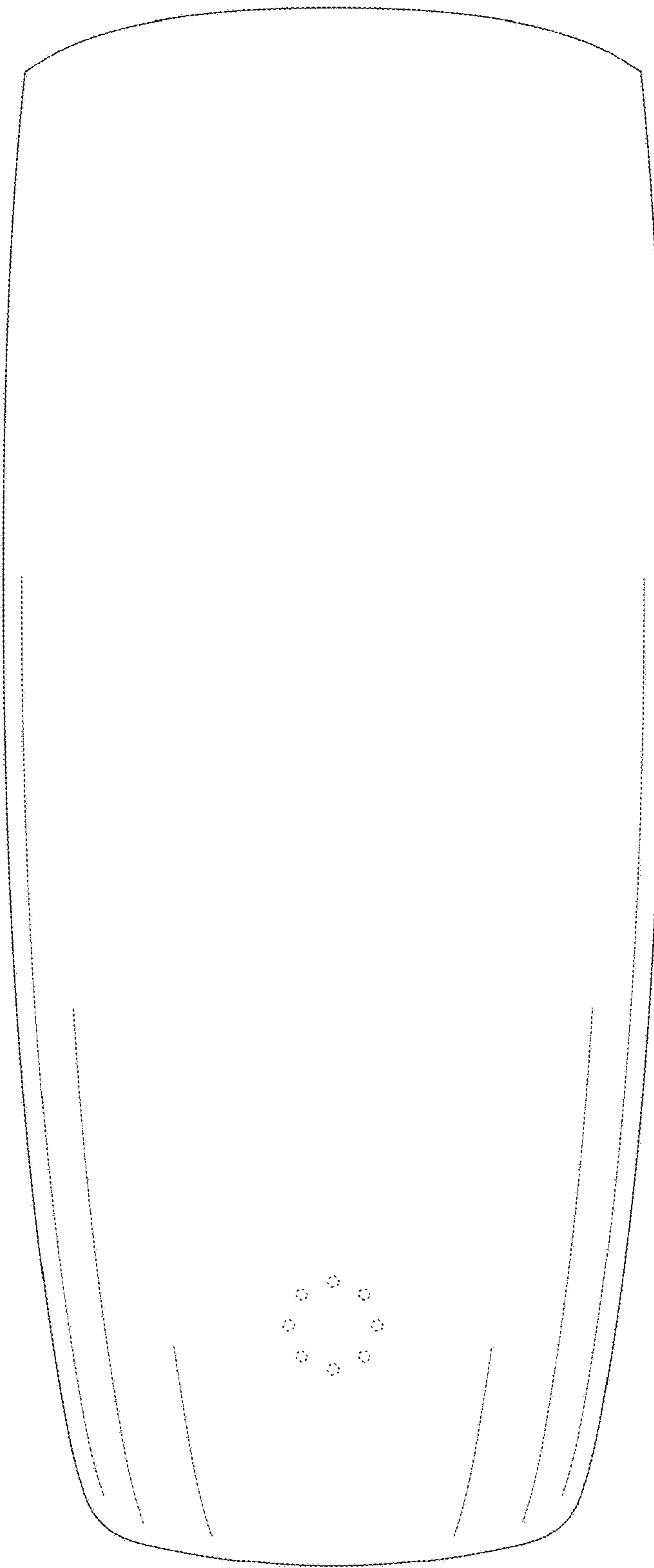


FIG. 19

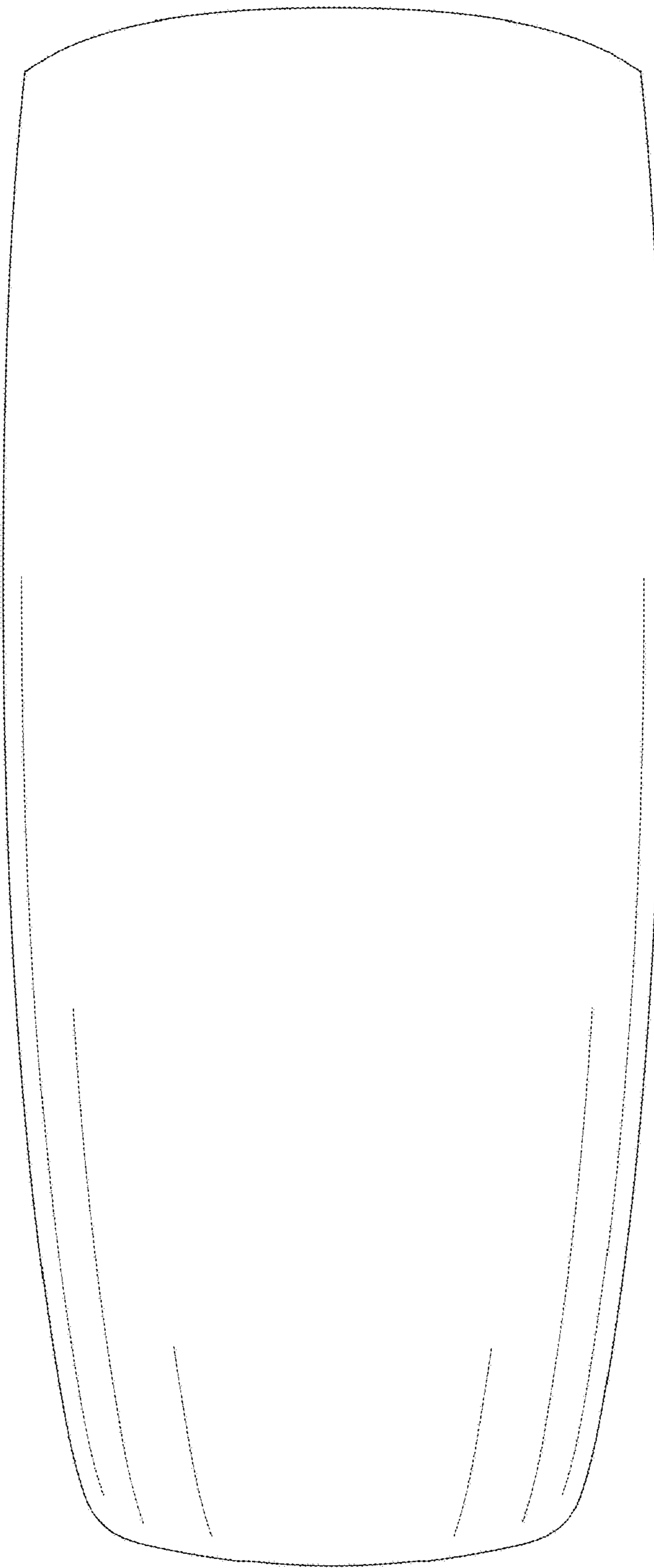


FIG. 20

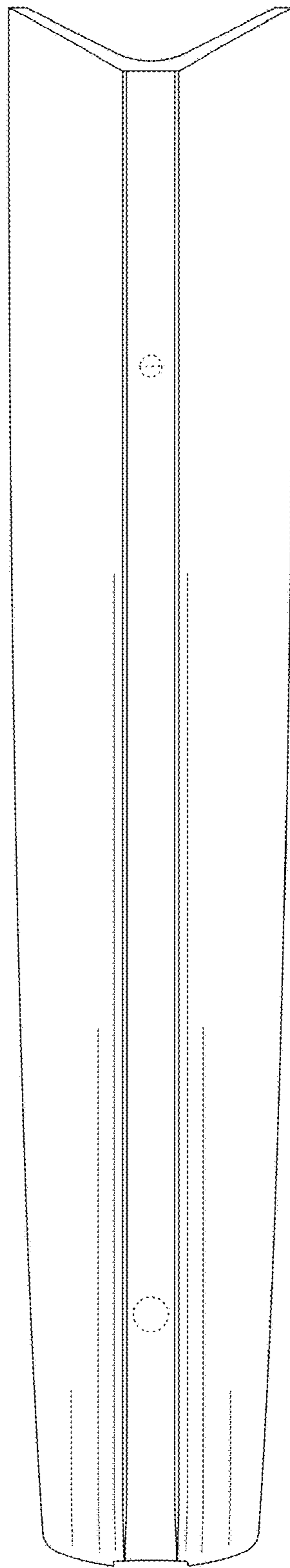


FIG. 21

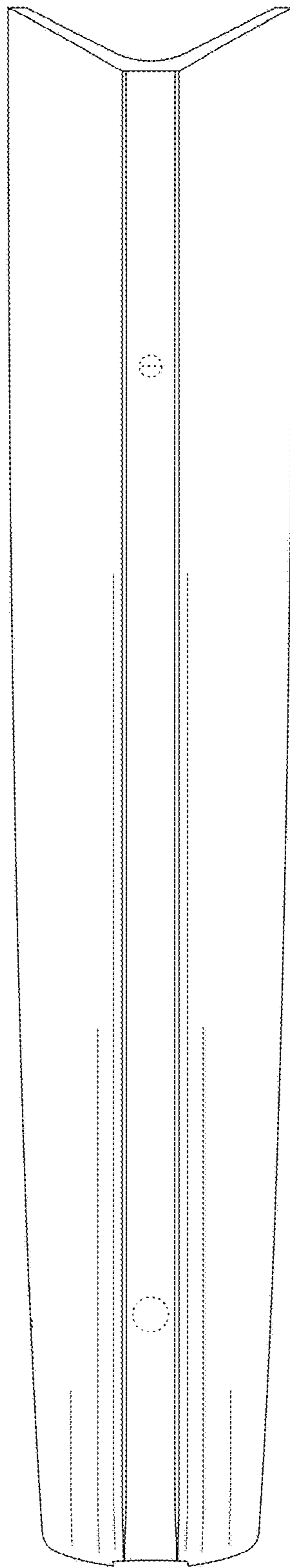


FIG. 22



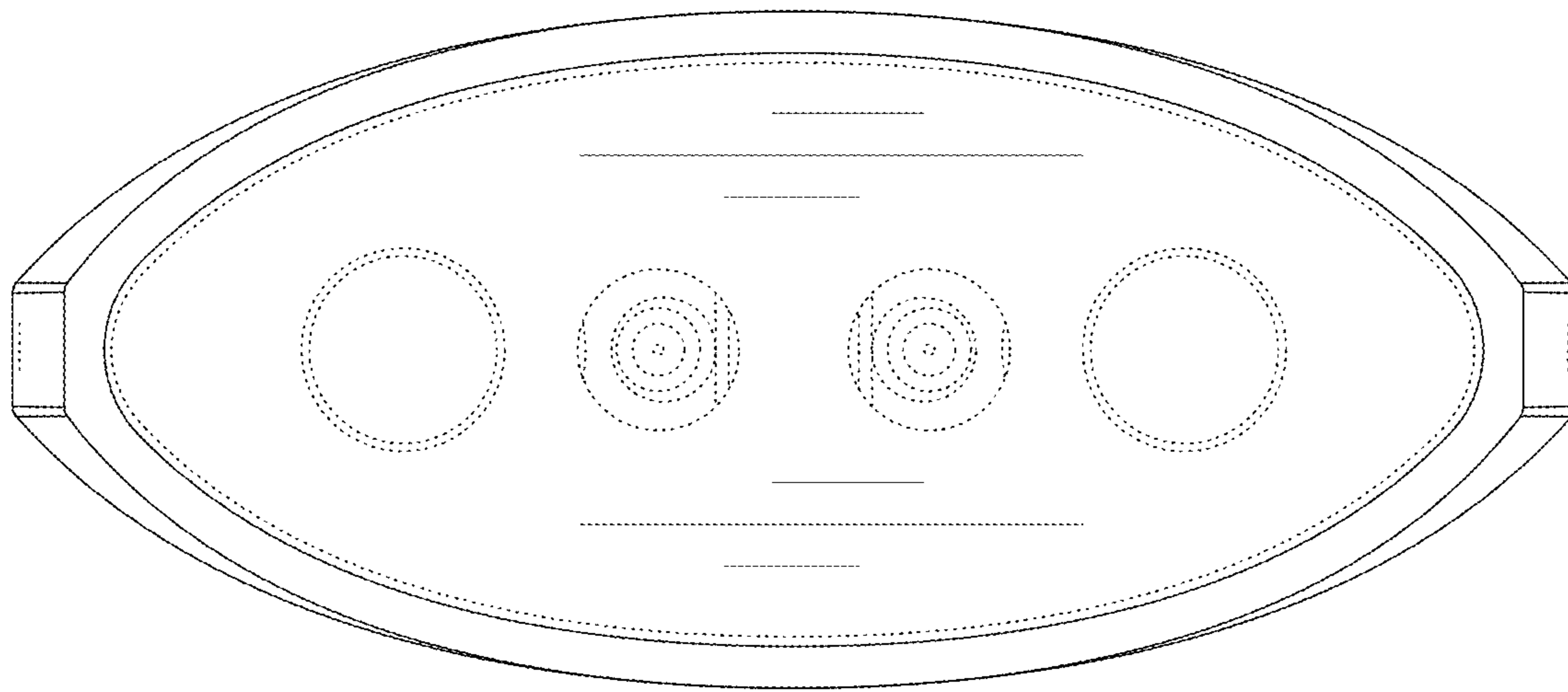


FIG. 23

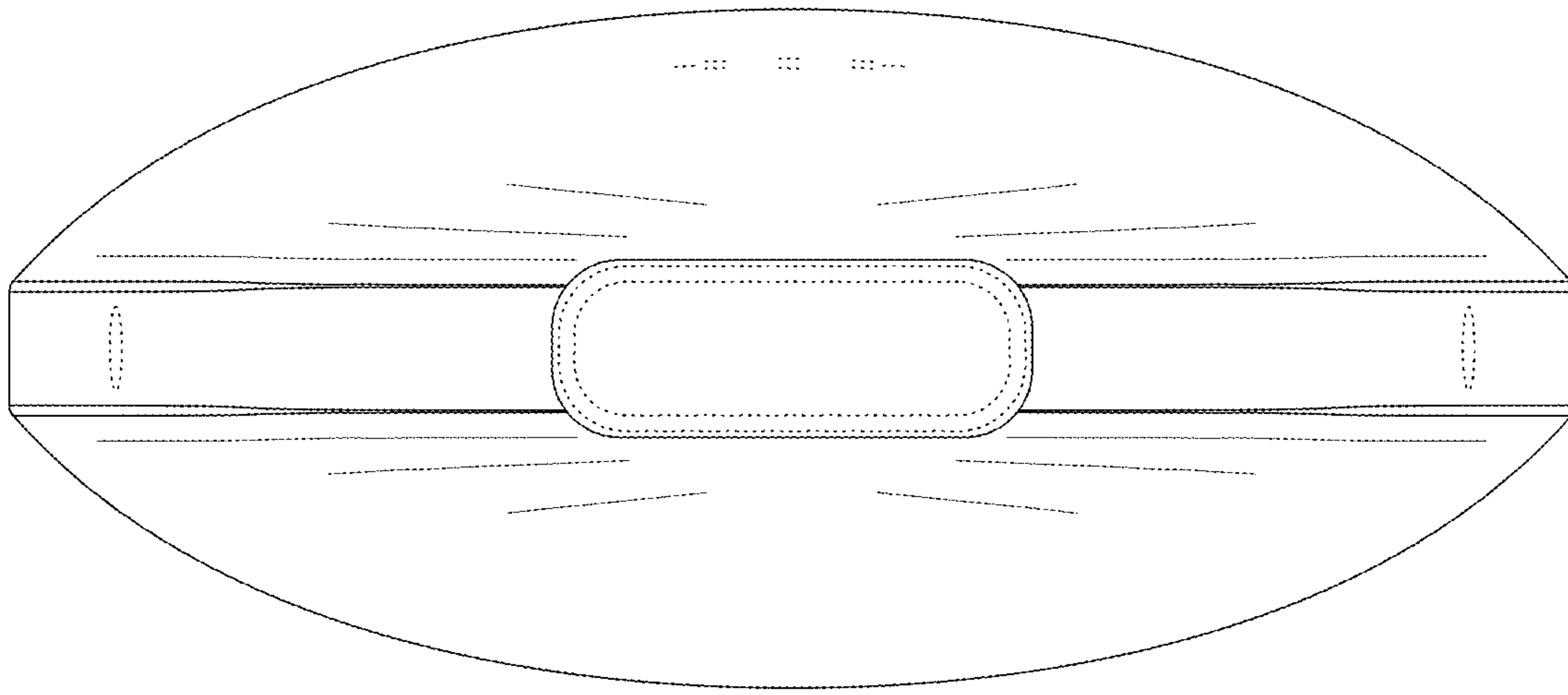


FIG. 24

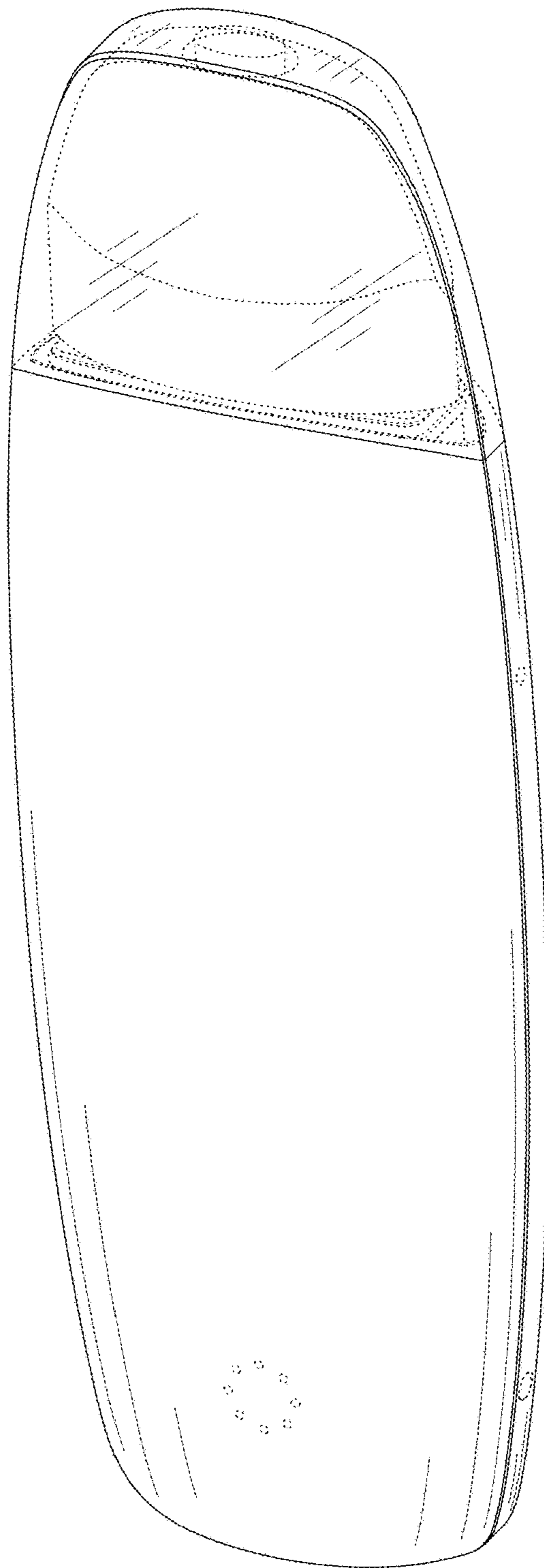


FIG. 25

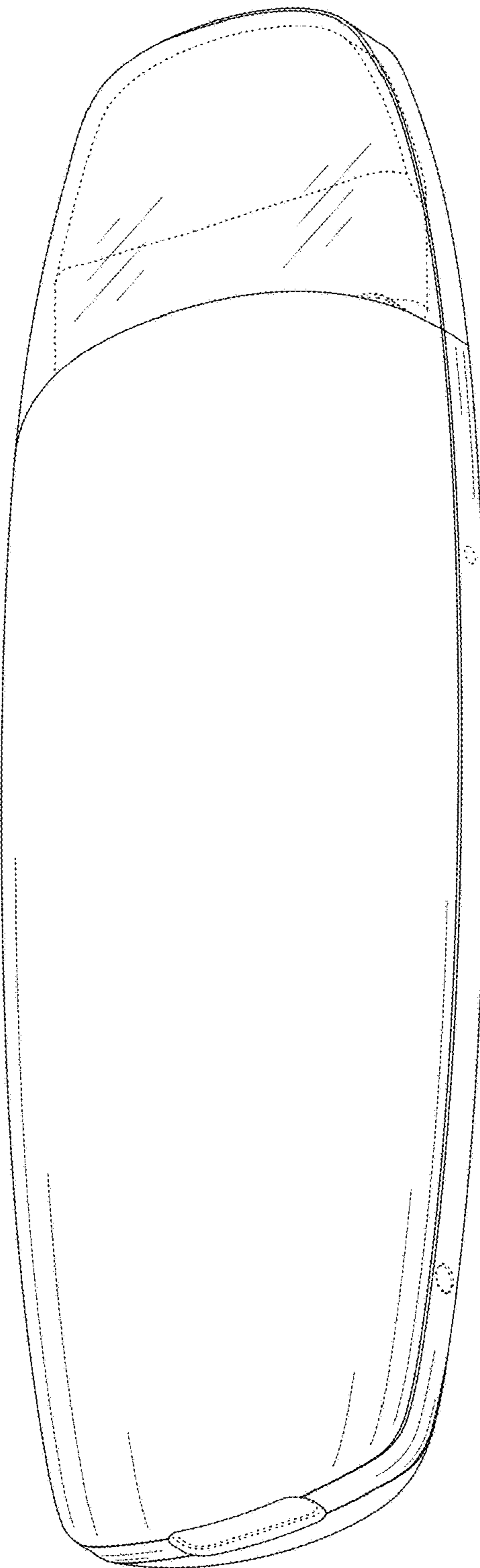


FIG. 26

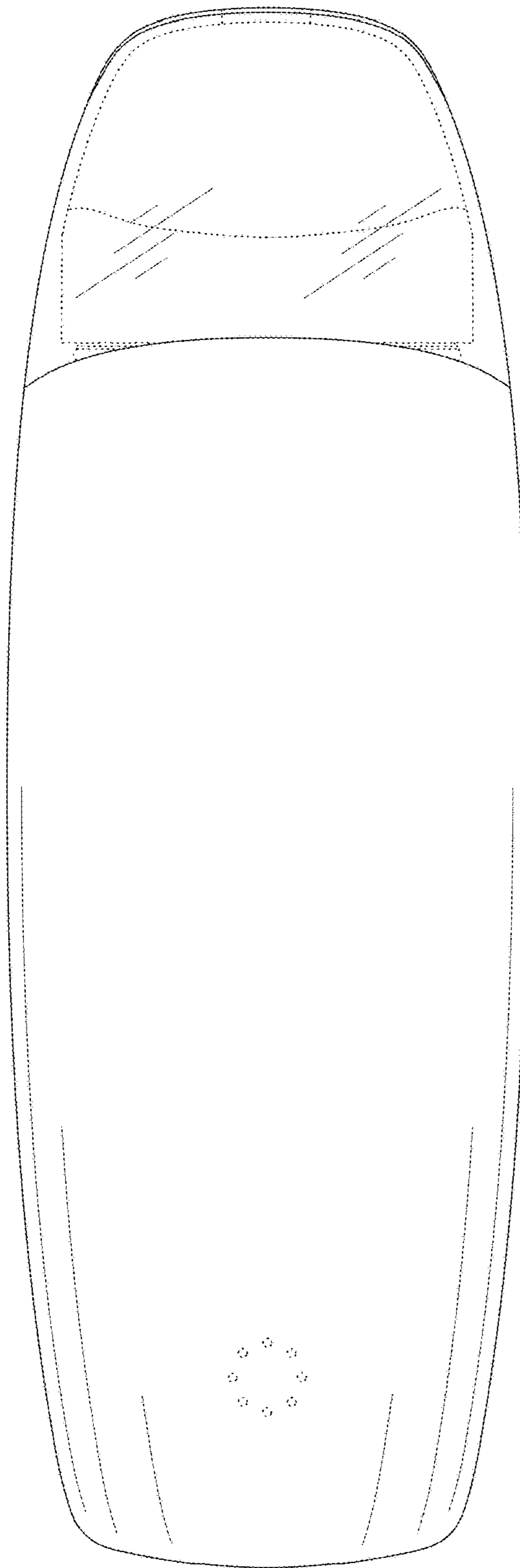


FIG. 27

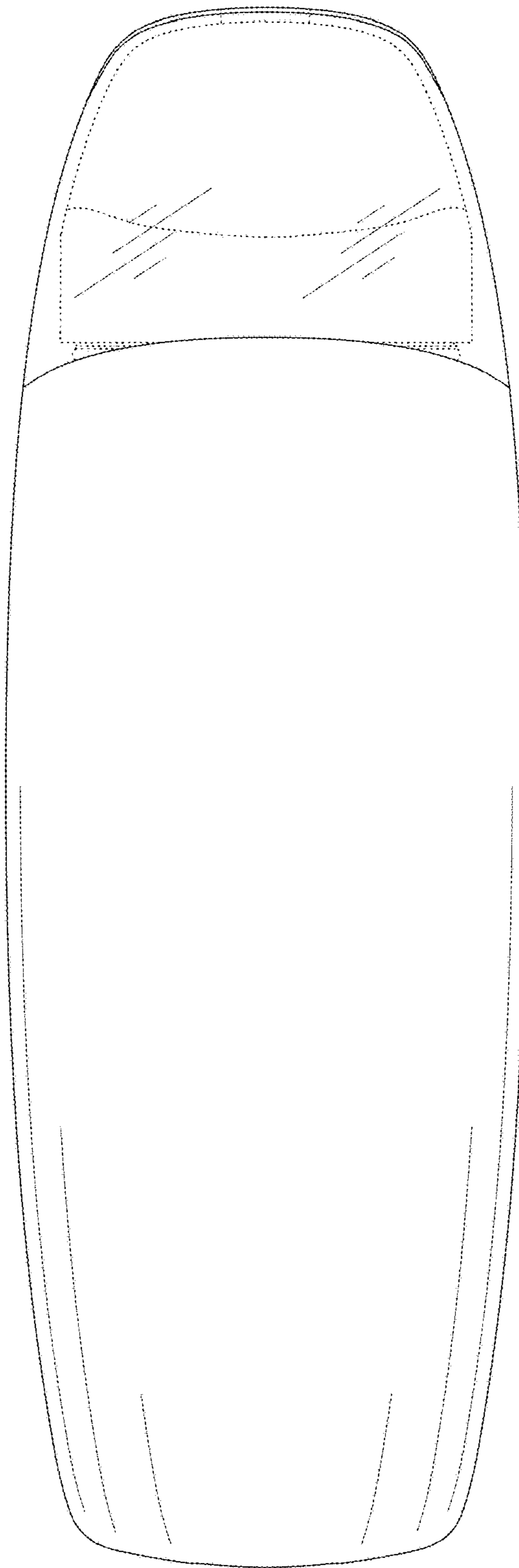


FIG. 28

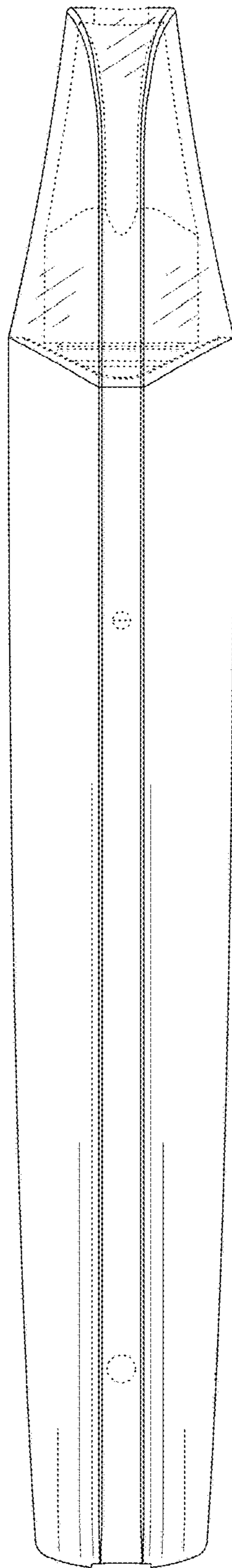


FIG. 29

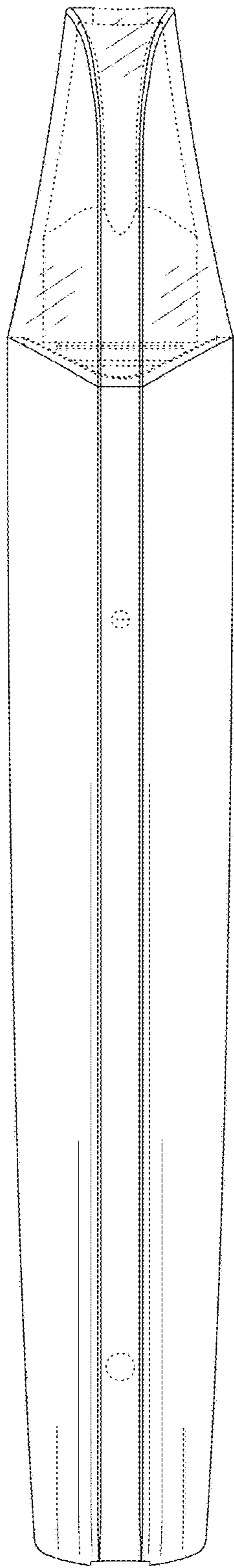


FIG. 30



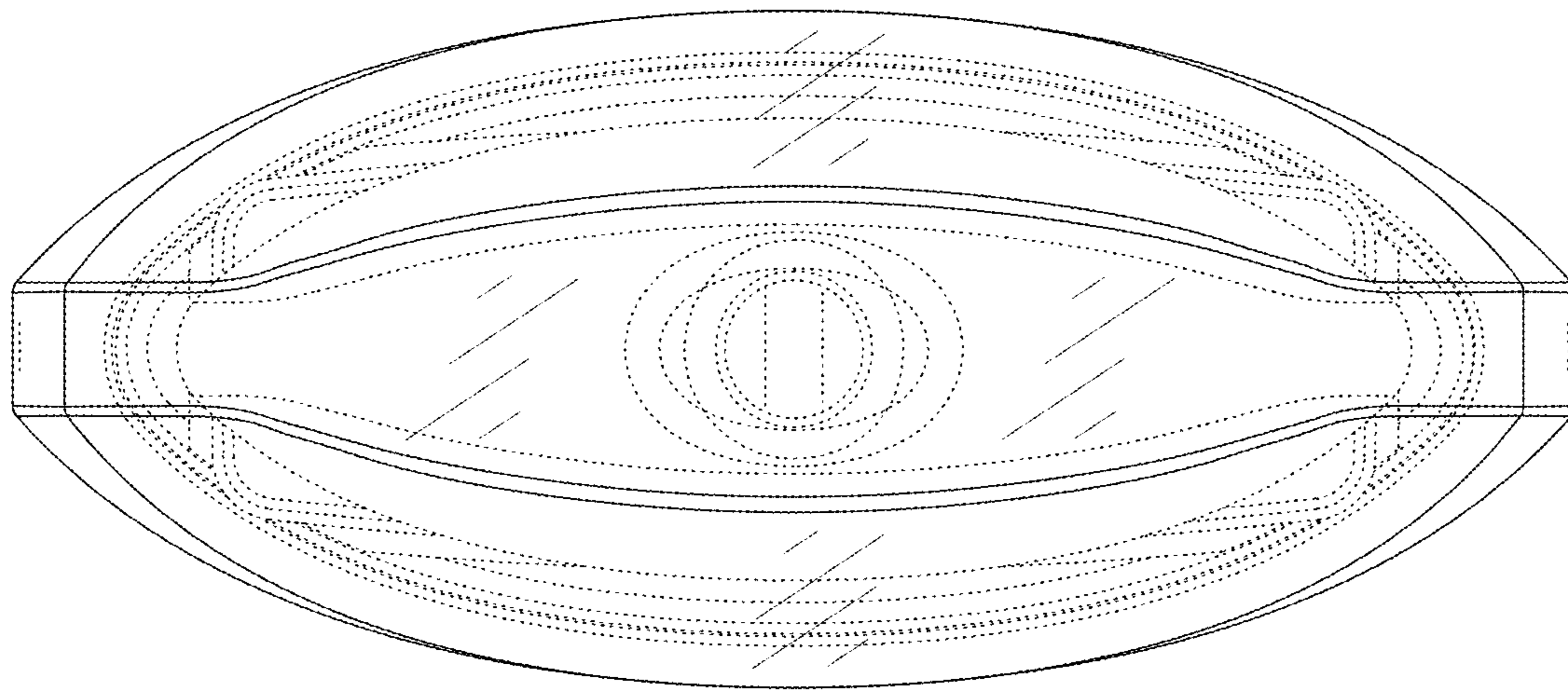


FIG. 31

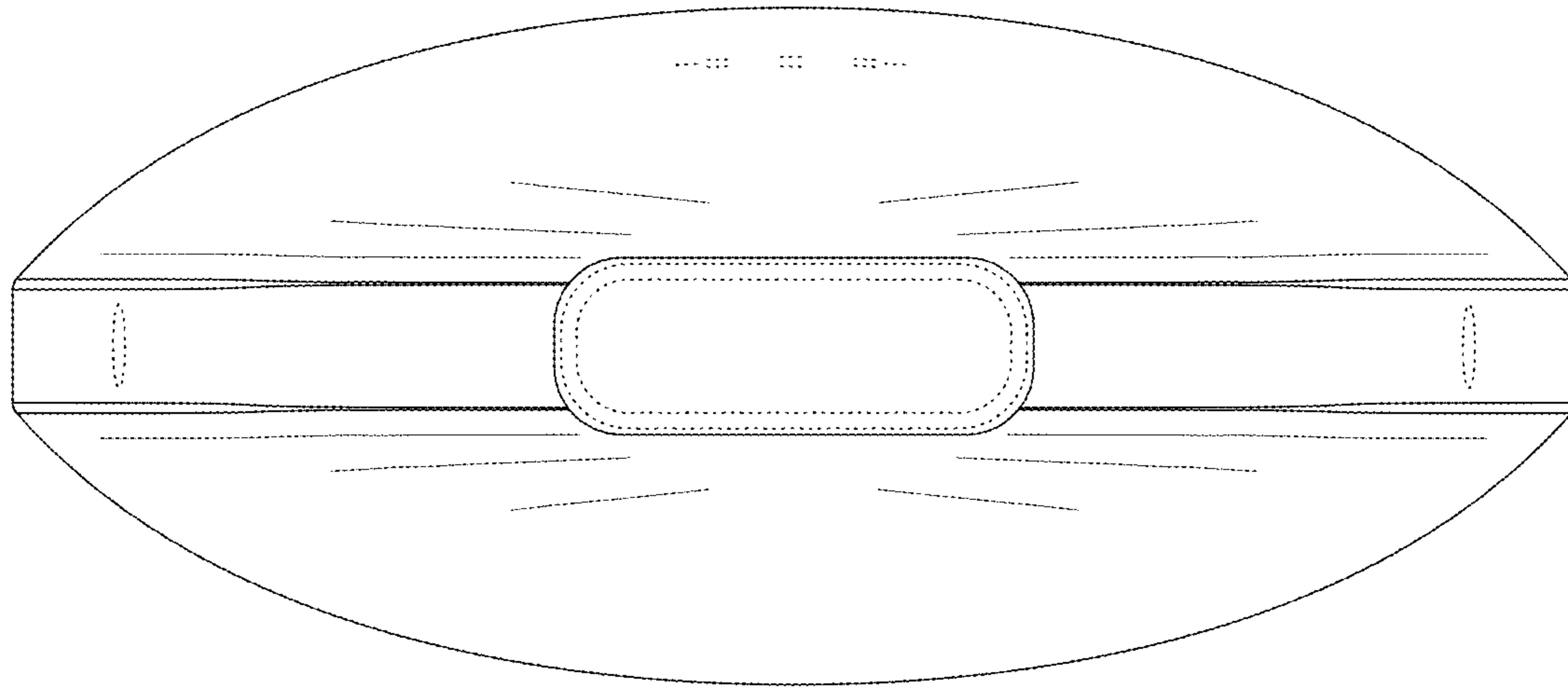


FIG. 32

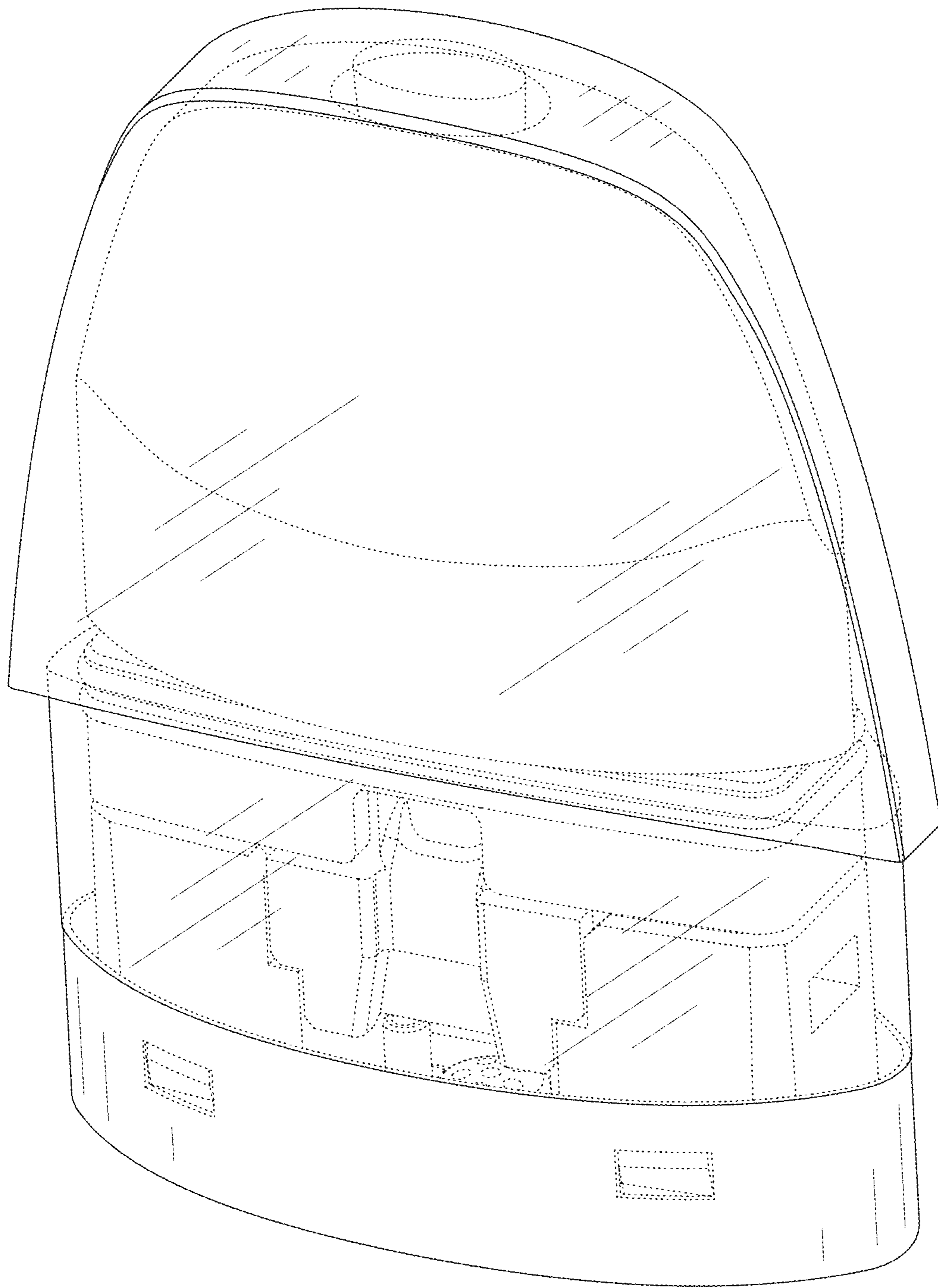


FIG. 33

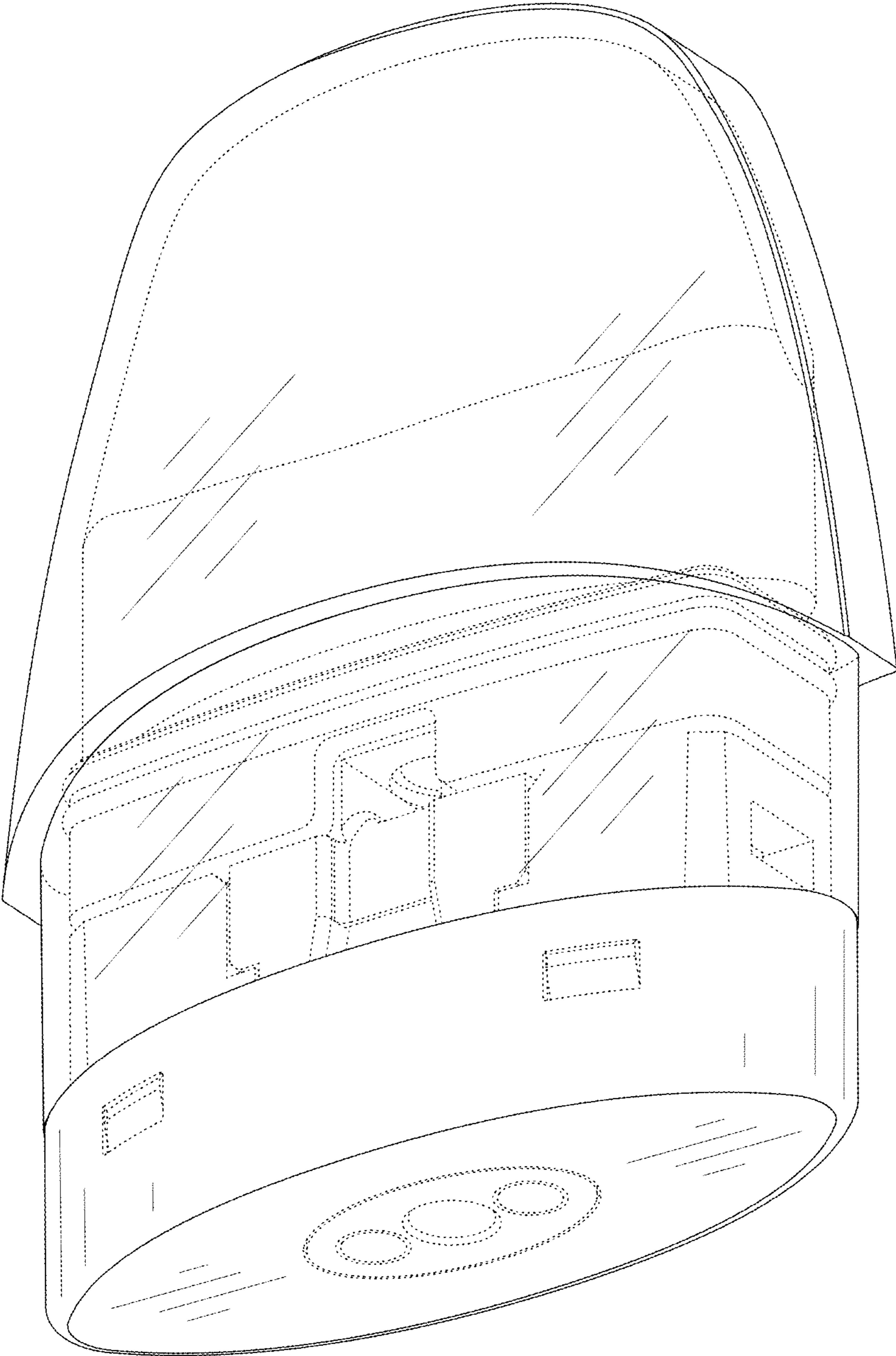


FIG. 34

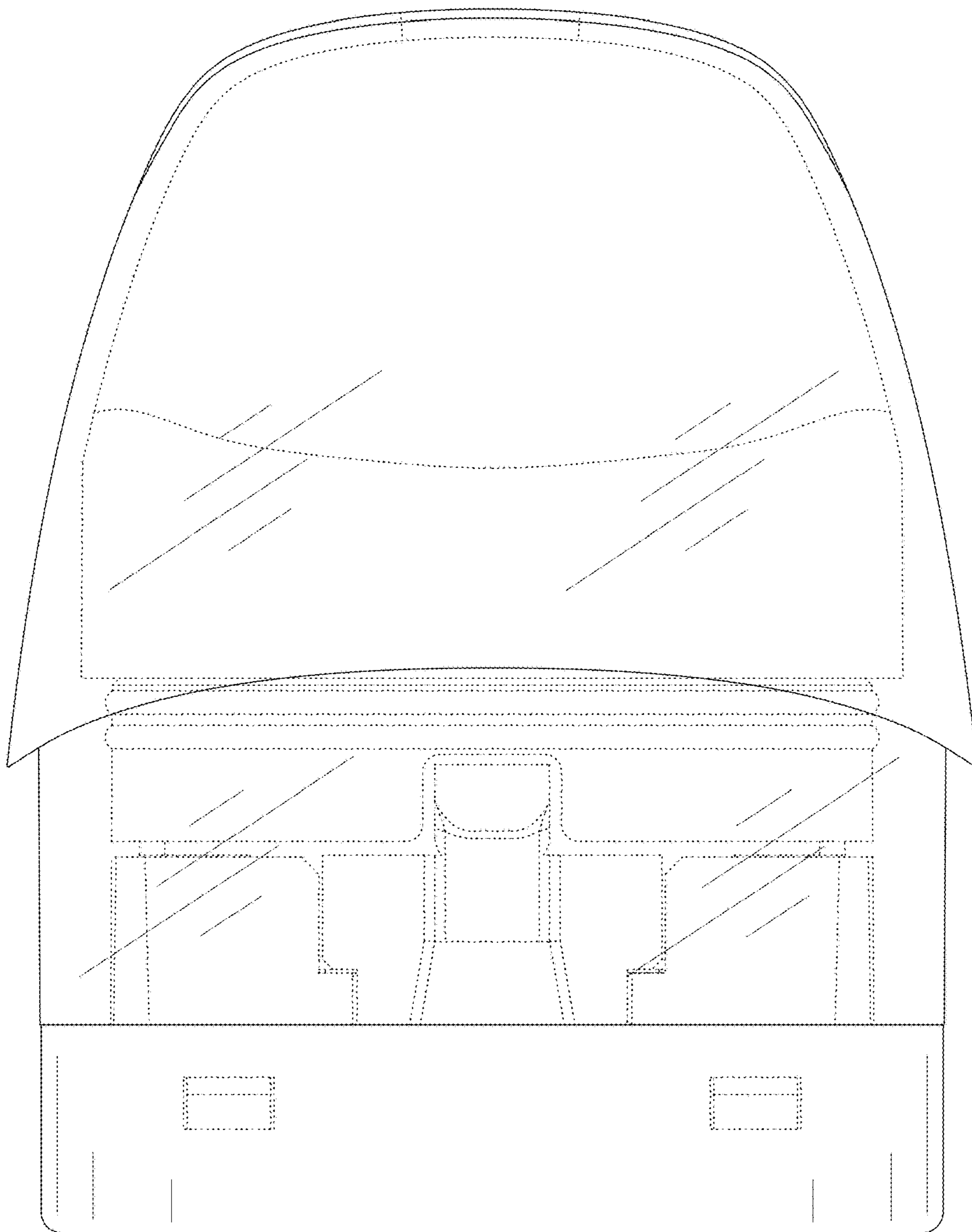


FIG. 35

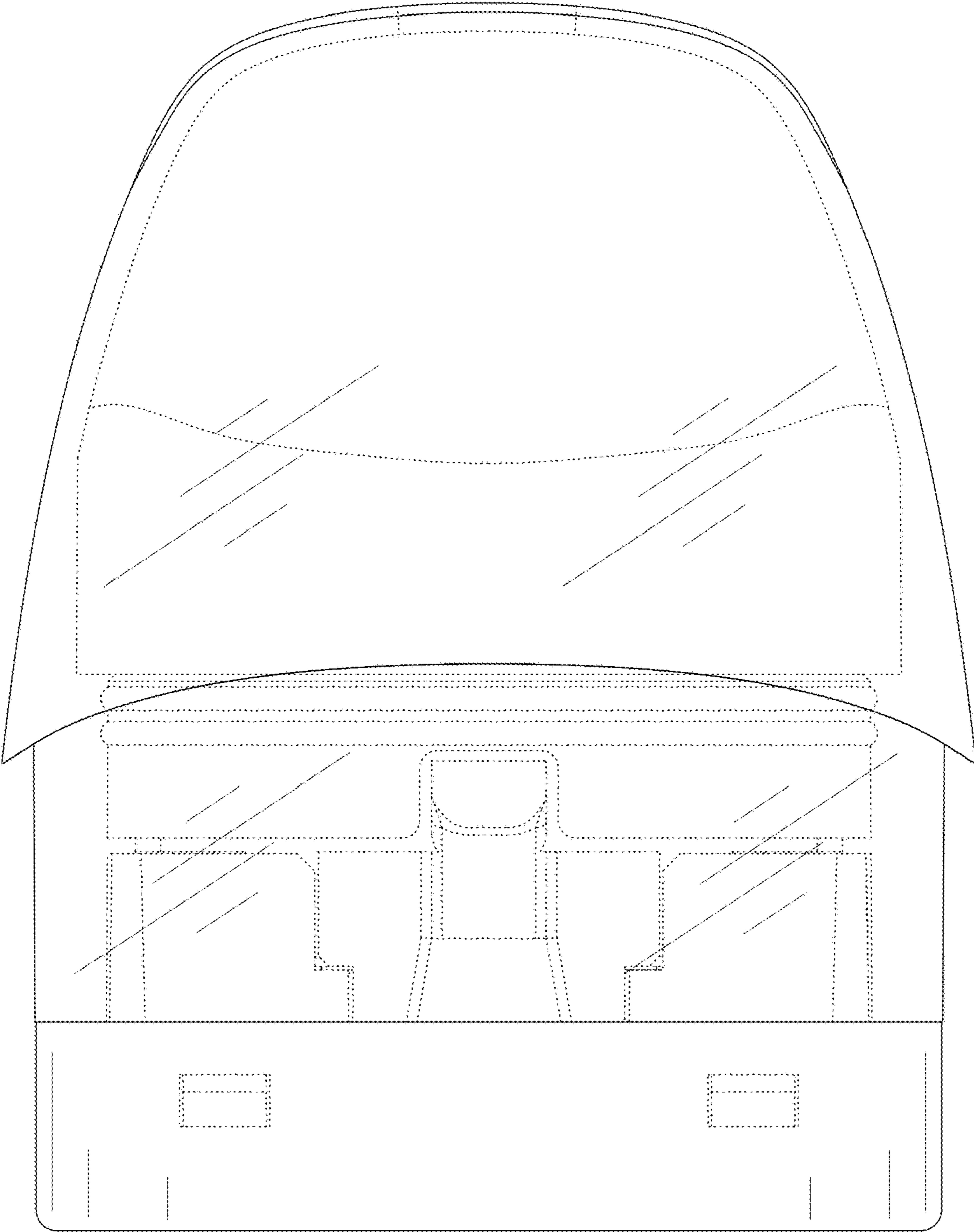


FIG. 36

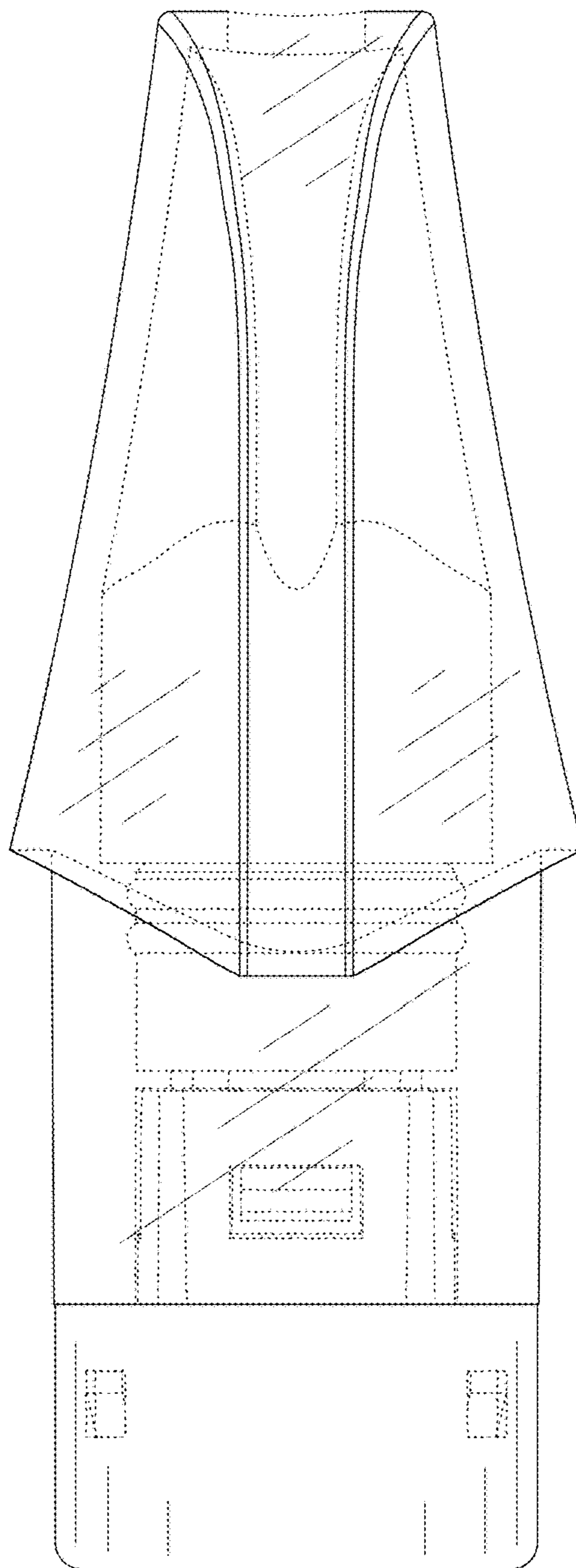


FIG. 37

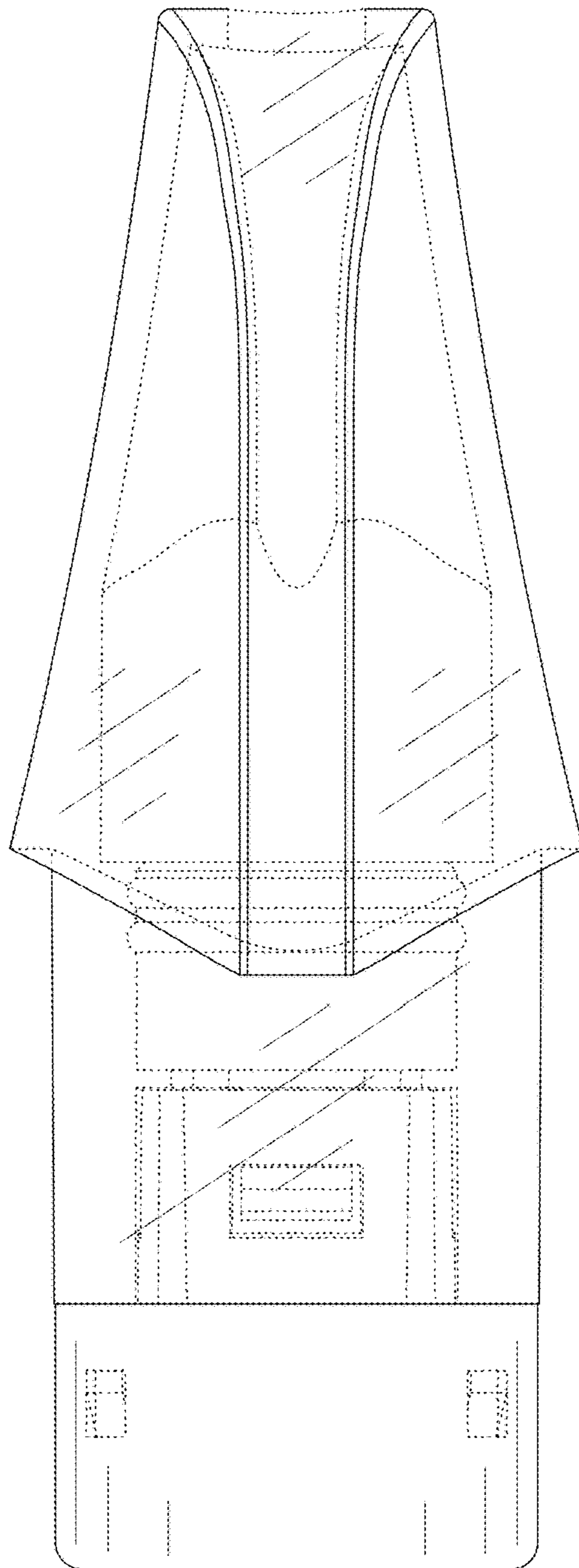


FIG. 38



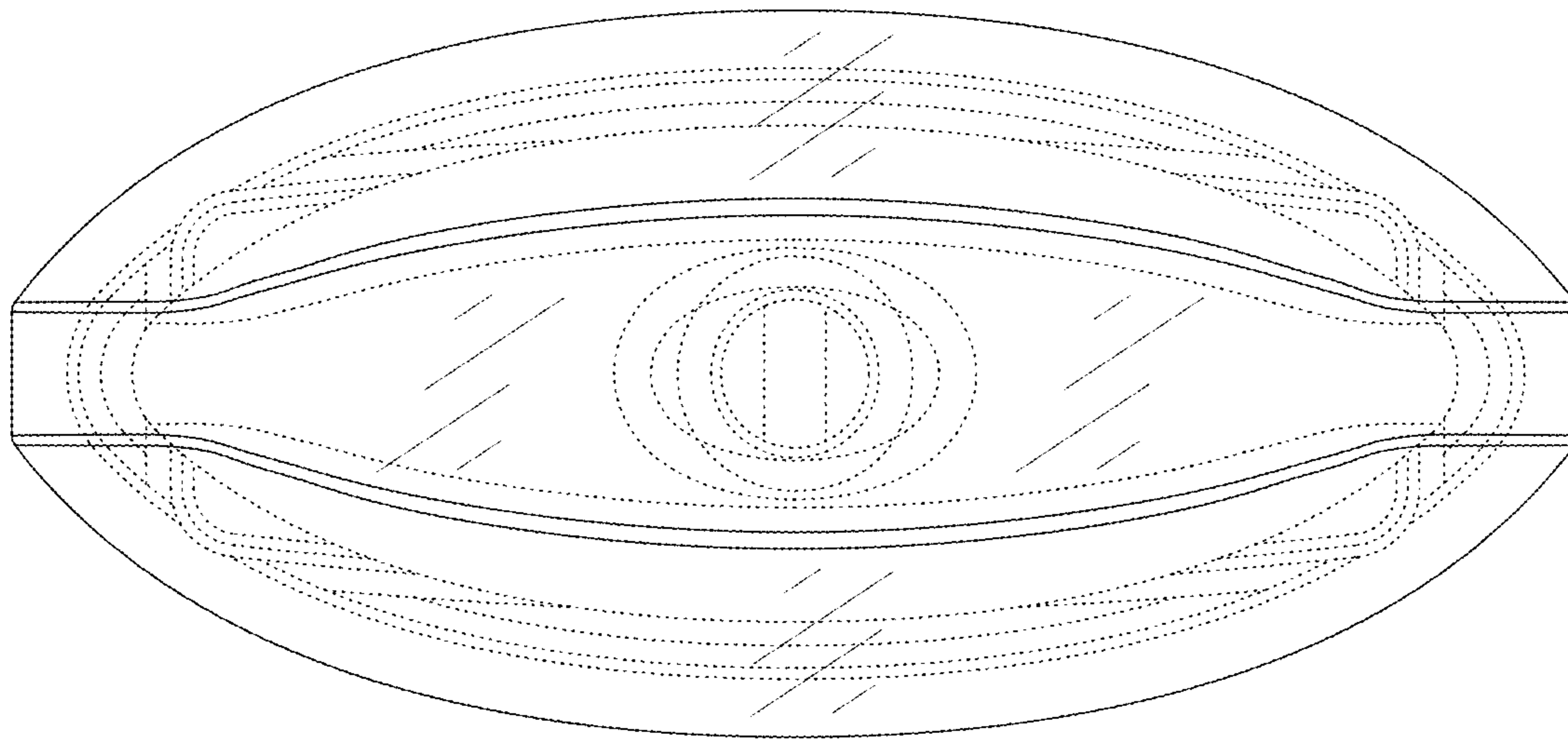


FIG. 39

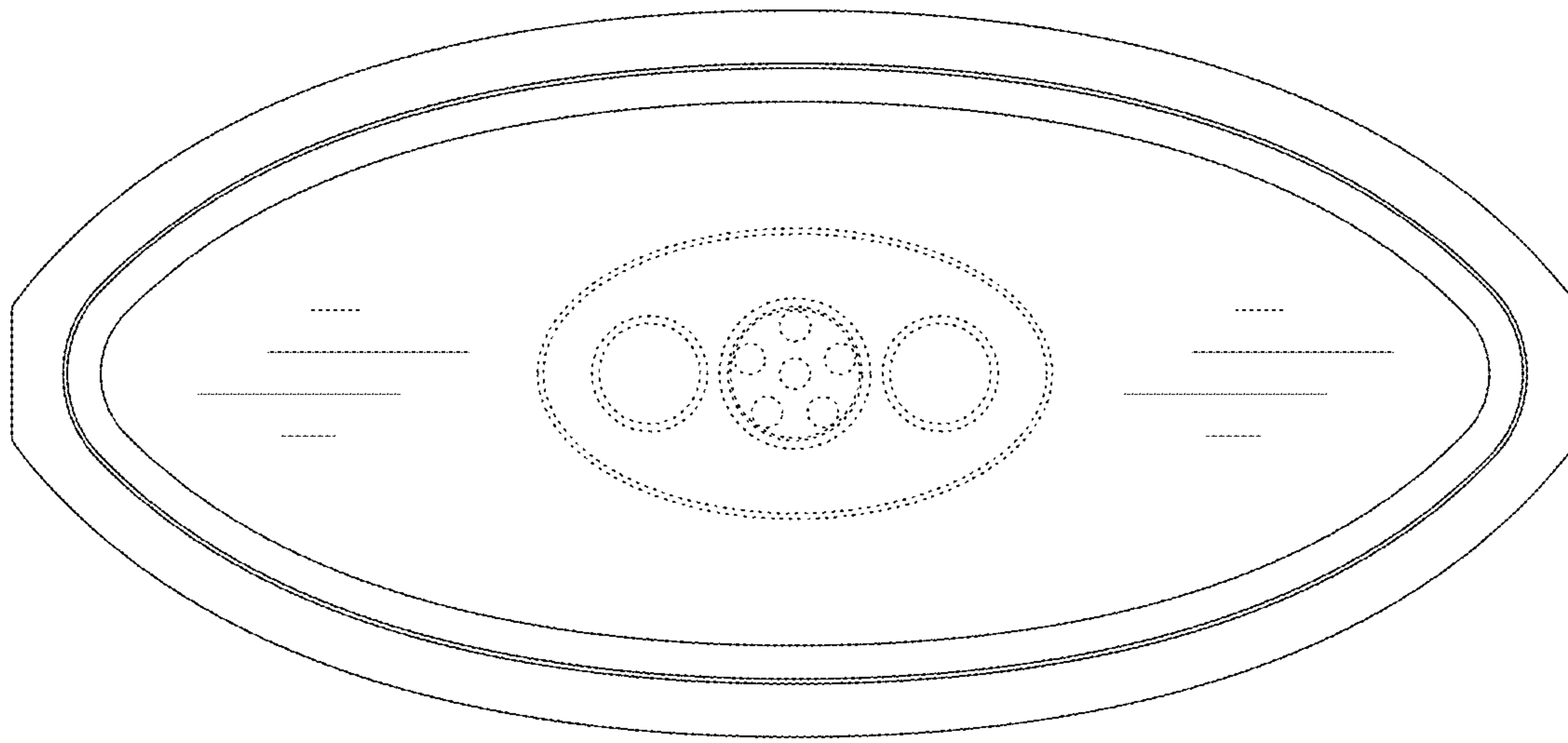


FIG. 40