



US00D970096S

(12) **United States Design Patent**
Luo

(10) **Patent No.:** **US D970,096 S**

(45) **Date of Patent:** **** Nov. 15, 2022**

(54) **LED LIGHT STAND**

(71) Applicant: **Juan Luo**, Guangdong (CN)

(72) Inventor: **Juan Luo**, Guangdong (CN)

(**) Term: **15 Years**

(21) Appl. No.: **29/795,922**

(22) Filed: **Jun. 22, 2021**

(51) **LOC (13) Cl.** **26-05**

(52) **U.S. Cl.**
USPC **D26/138**

(58) **Field of Classification Search**
USPC D26/72, 74, 76, 78–83, 85, 86, 88, 90,
D26/93, 111, 113, 118–122, 138, 139,
D26/140, 141, 142, 152
CPC F21S 2/00; F21S 4/00; F21S 4/003; F21S
4/005; F21S 4/006; F21S 4/007; F21S
4/008; F21S 6/00; F21S 8/00; F21S
8/024; F21S 8/026; F21S 8/031; F21S
8/033; F21S 8/035–037; F21S 8/04; F21S
8/043; F21S 8/063
See application file for complete search history.

(56) **References Cited**

U.S. PATENT DOCUMENTS

D336,536 S * 6/1993 Shaanan D26/140
D377,840 S * 2/1997 Chang D26/43
D384,710 S * 10/1997 Pahel D8/396
D422,745 S * 4/2000 Losole, III D26/138

D473,002 S * 4/2003 Hoernig D26/92
D566,875 S * 4/2008 Khubani D26/72
D567,401 S * 4/2008 Mason, II D26/24
D583,761 S * 12/2008 Schenck D13/134
D600,642 S * 9/2009 Biery D13/134
D641,924 S * 7/2011 Daniels D26/138
D646,813 S * 10/2011 Boschetto D26/20
D745,369 S * 12/2015 Tungesvick D8/349
D782,419 S * 3/2017 Willette D13/134
D821,018 S * 6/2018 Amato D26/87
D850,388 S * 6/2019 Morita D13/158
D853,624 S * 7/2019 Hargreaves D26/138
D914,271 S * 3/2021 Wang D26/138

* cited by examiner

Primary Examiner — Natasha Vujcic

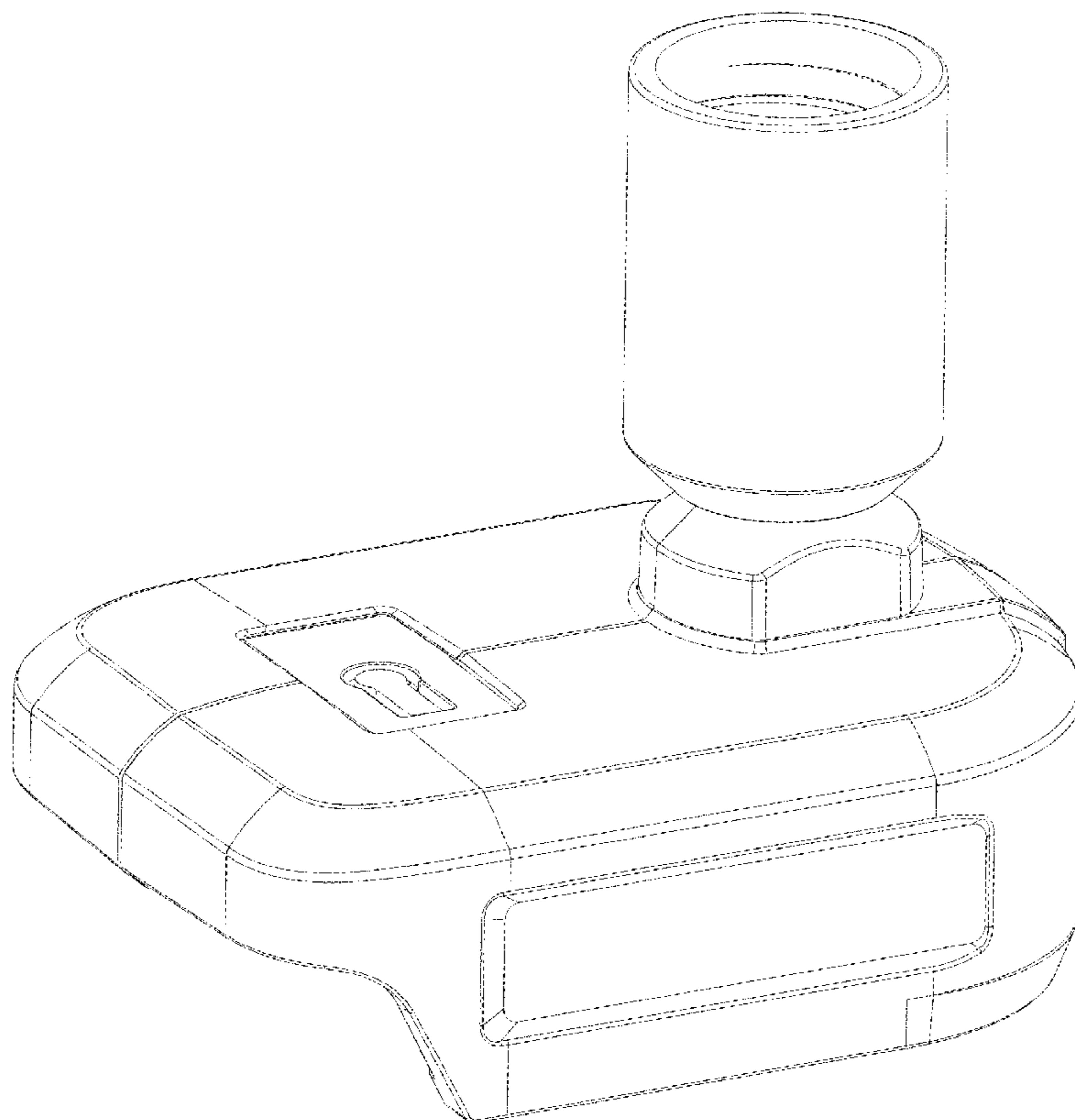
(57) **CLAIM**

I claim, the ornamental design for a LED light stand, as shown and described.

DESCRIPTION

FIG. 1 is a front elevational view of a LED light stand showing my new design;
FIG. 2 is a left side view thereof;
FIG. 3 is a right side view thereof;
FIG. 4 is a perspective view thereof; and,
FIG. 5 is another perspective view thereof.
The broken lines in the drawings illustrate portions of the LED light stand which form no part of the claimed design.

1 Claim, 5 Drawing Sheets



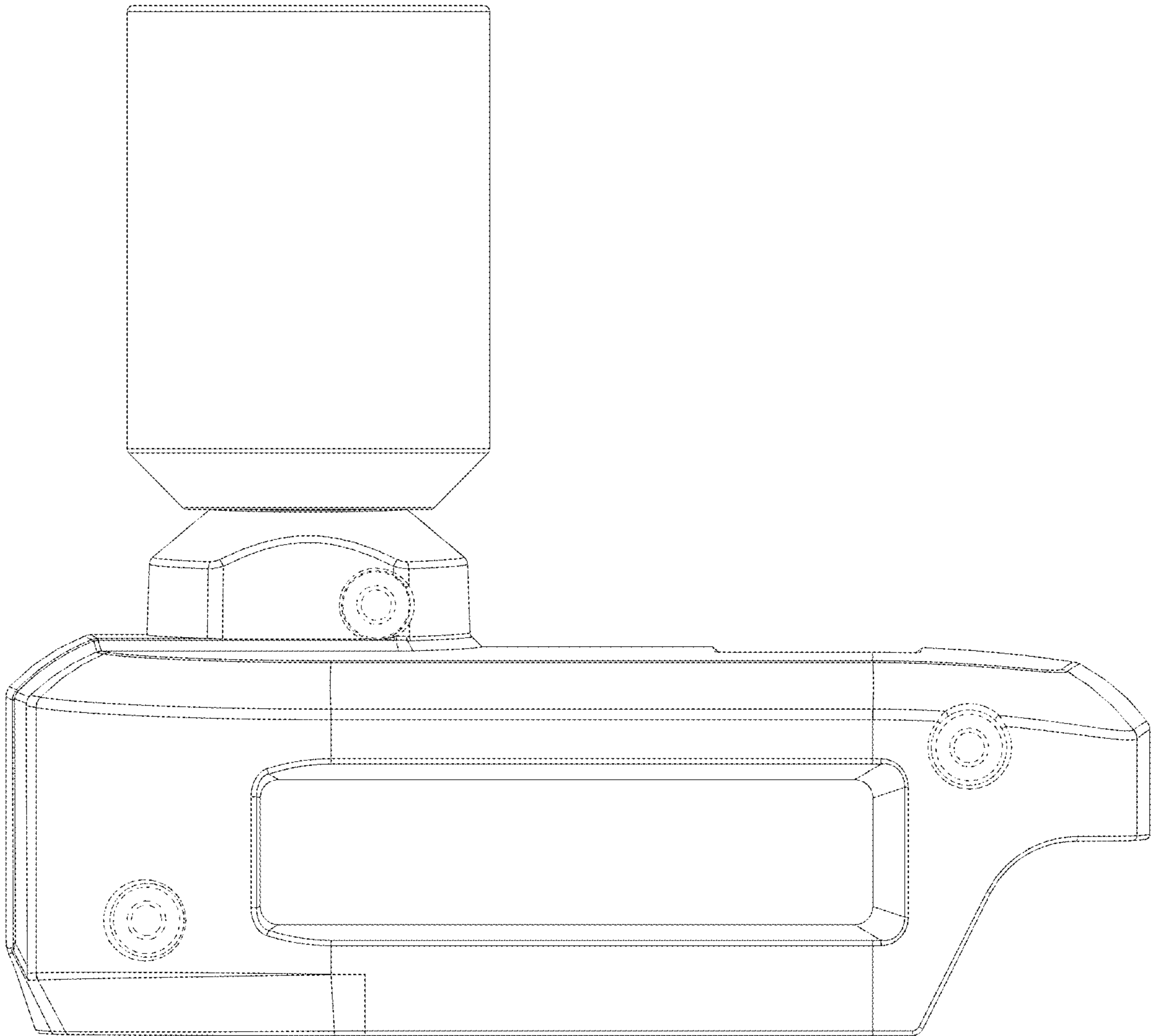


FIG. 1

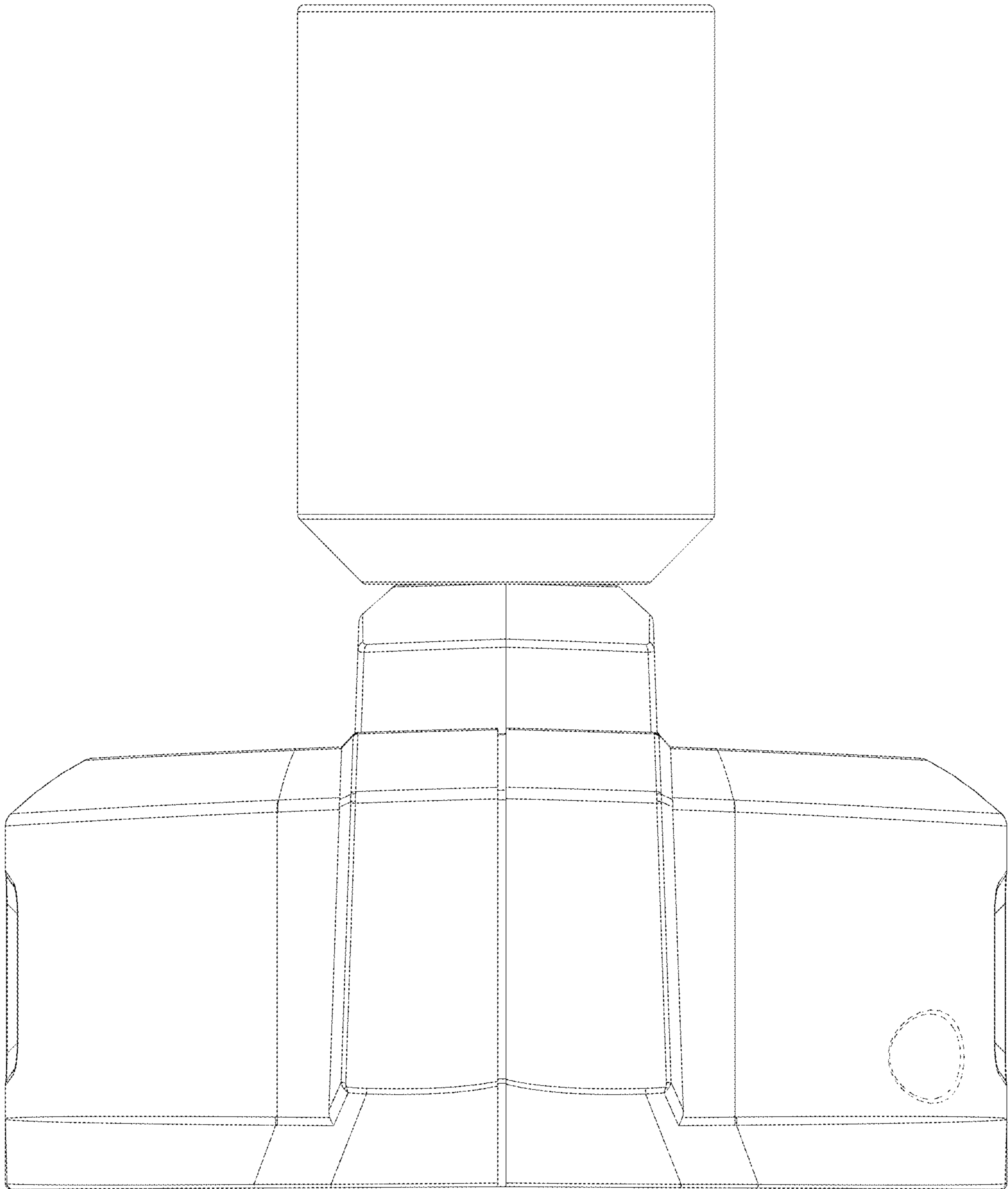


FIG. 2

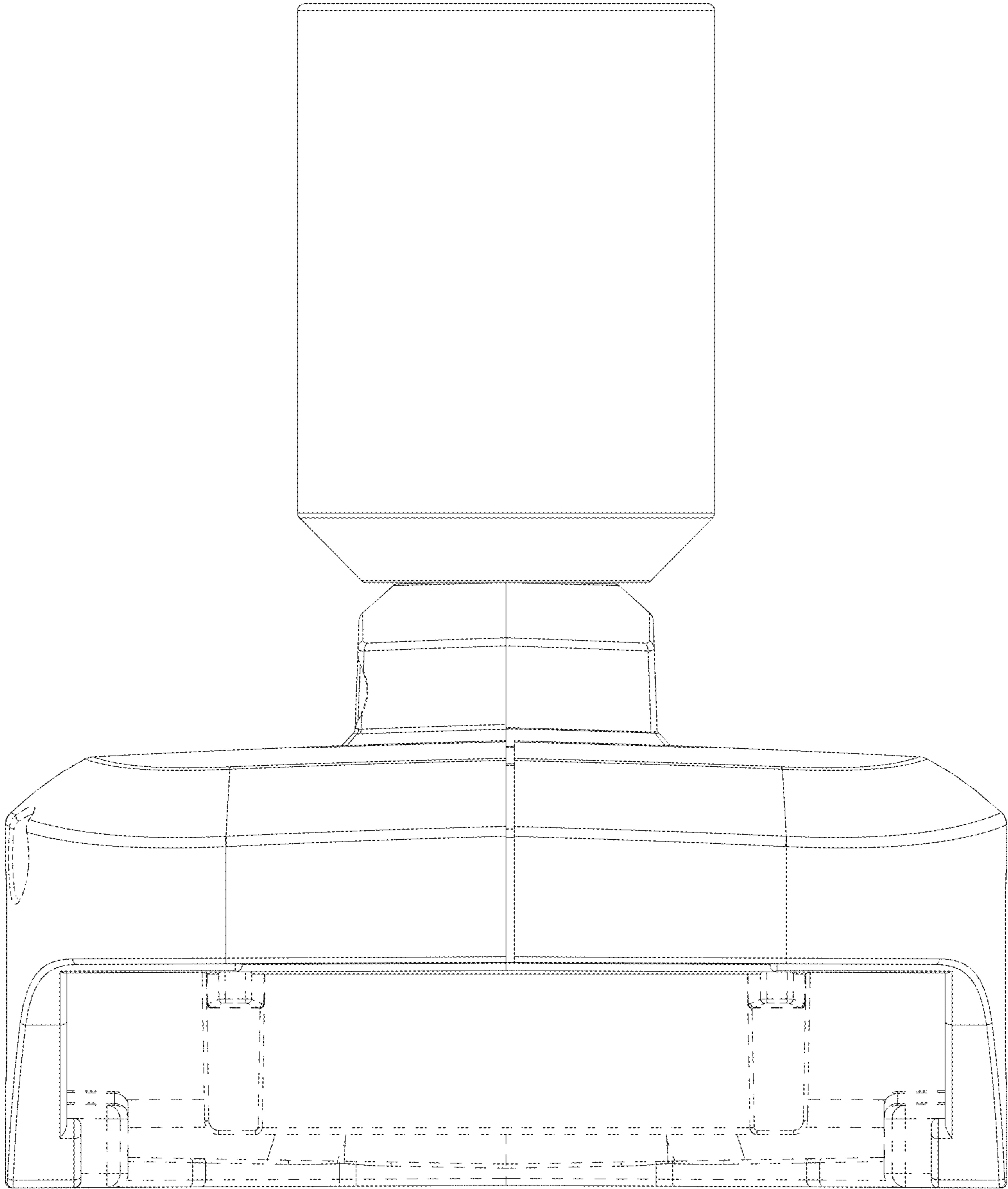


FIG. 3

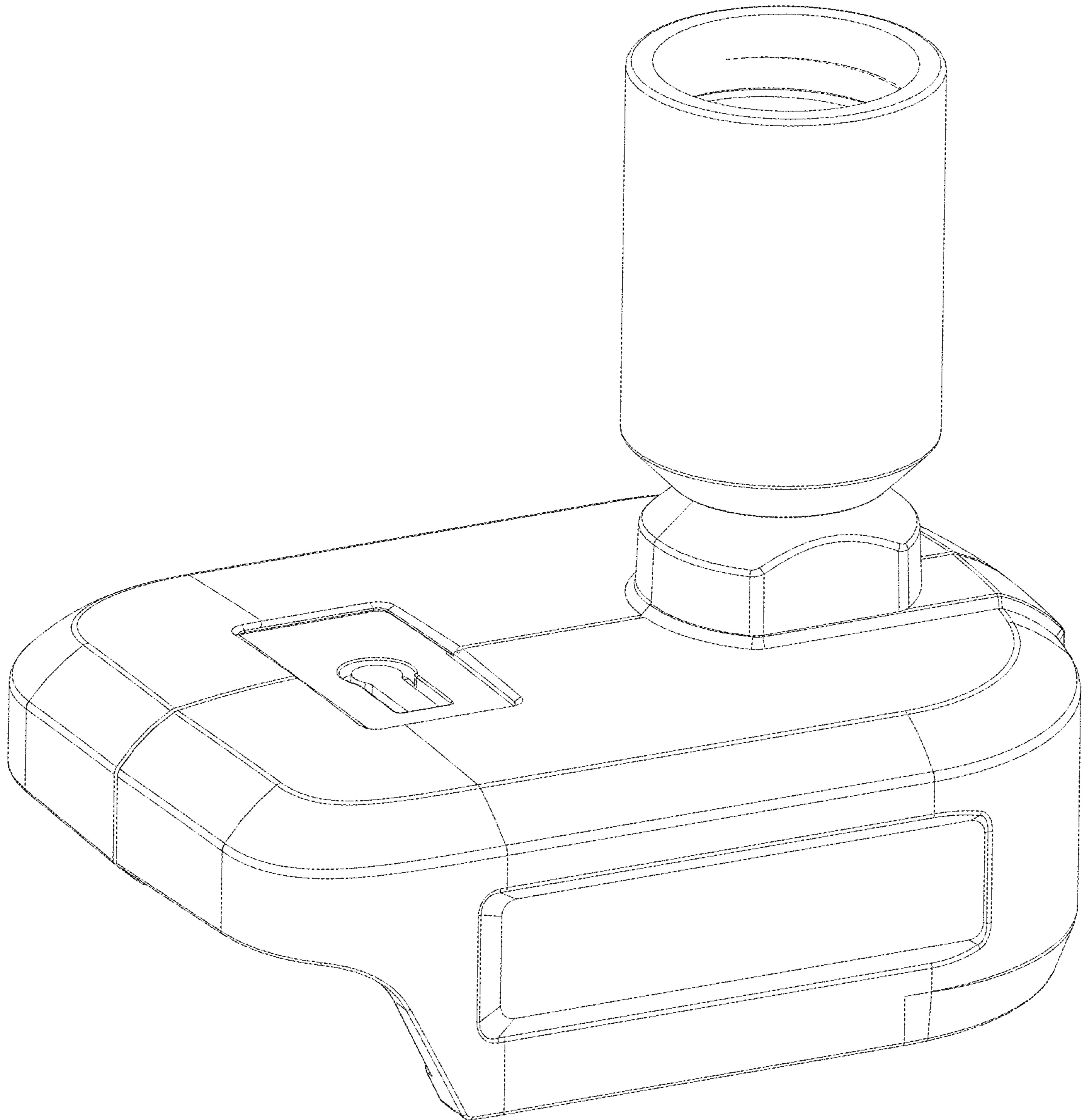


FIG. 4

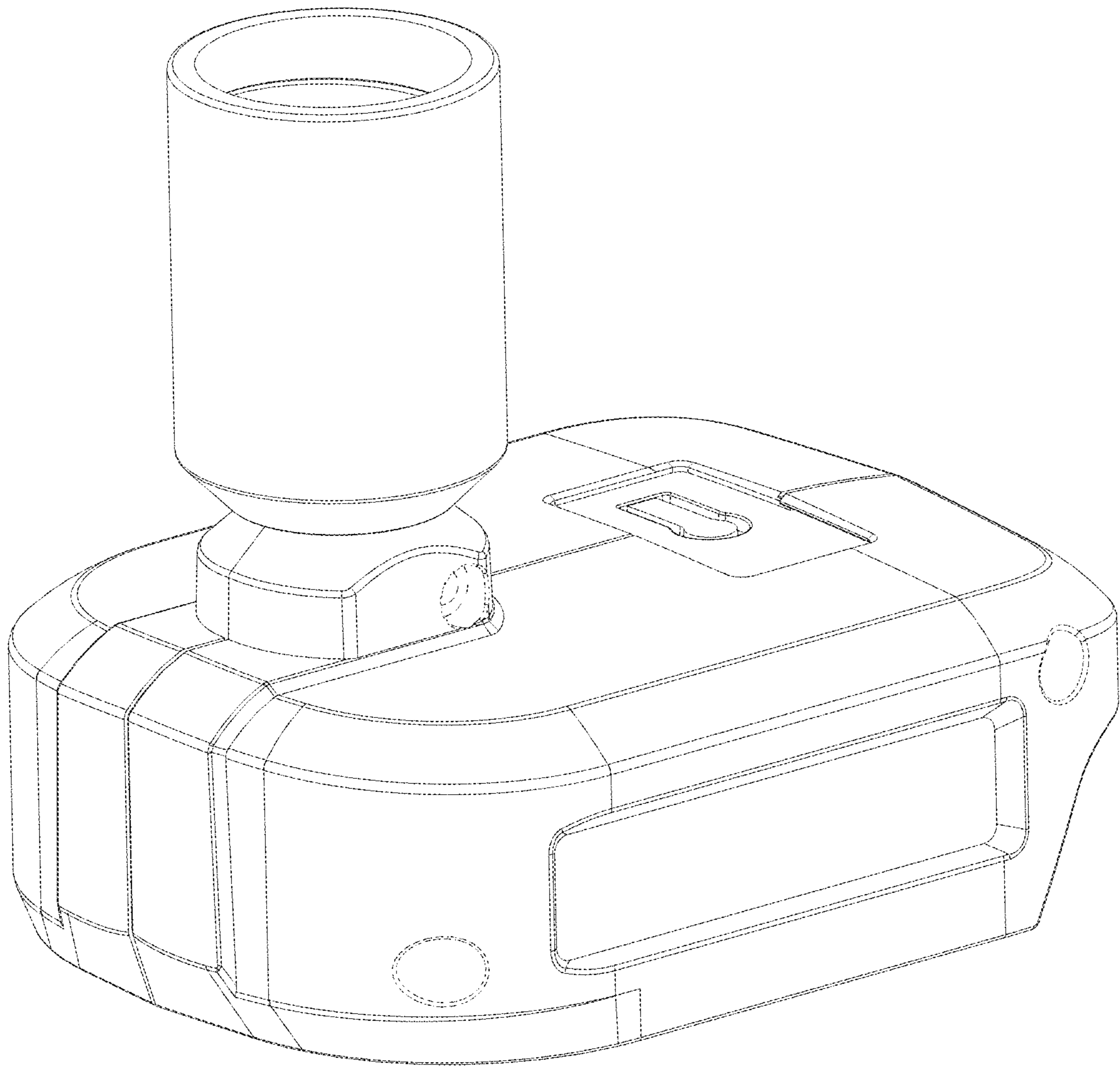


FIG. 5