



US00D970094S

(12) **United States Design Patent**
Saarnio

(10) **Patent No.:** **US D970,094 S**

(45) **Date of Patent:** **** Nov. 15, 2022**

(54) **LIGHT DIFFUSER**

(71) Applicant: **LEDIL OY**, Salo (FI)

(72) Inventor: **Olli Saarnio**, Salo (FI)

(73) Assignee: **LEDIL OY**, Salo (FI)

(**) Term: **15 Years**

(21) Appl. No.: **29/749,757**

(22) Filed: **Sep. 9, 2020**

(30) **Foreign Application Priority Data**

Mar. 9, 2020 (EM) 007742697-0005

(51) **LOC (13) Cl.** **26-05**

(52) **U.S. Cl.**
USPC **D26/123**

(58) **Field of Classification Search**
USPC D10/106.1–106.8; D16/101, 134, 137;
D26/1, 2, 24, 51, 61, 72, 74, 85, 86, 88,
D26/89, 90, 91, 92, 113, 118, 120–123
CPC F21S 8/00; F21S 8/006; F21S 8/026; F21S
8/04; F21S 8/06; F21V 3/00; F21V 3/02;
F21V 7/00; F21V 7/0008; F21V 7/005;
F21V 7/0083; F21V 7/04; F21V 7/045;
F21V 7/05; F21V 7/06

See application file for complete search history.

(56) **References Cited**

U.S. PATENT DOCUMENTS

D263,381 S * 3/1982 Kelley D10/106.1
D473,009 S * 4/2003 Jarrett D26/123
7,270,454 B2 * 9/2007 Amano F21V 5/04
362/330
D690,389 S * 9/2013 Doyle D23/213
D725,818 S * 3/2015 Yao D26/118
D746,509 S * 12/2015 Yu D26/120

D764,652 S * 8/2016 Weiss D23/390
D771,172 S * 11/2016 Huang D16/134
D811,256 S * 2/2018 Kalyan D10/106.5
D923,495 S * 6/2021 Densham D10/70
11,156,343 B1 * 10/2021 Kloeppe F21V 5/00

OTHER PUBLICATIONS

LEDiL HEKLA Introduction & Installation, first available Apr. 20, 2018, retrieved Jul. 18, 2022 from URL: <https://www.youtube.com/watch?v=F9d2L-II-Ro> (Year: 2018).*

LEDiL Product Datasheet, published Sep. 12, 2020, retrieved Jul. 18, 2022 from URL: <https://www.ledil.com/data/prod/Amy/17692/17692-ds.pdf> (Year: 2020).*

* cited by examiner

Primary Examiner — Richard Kearney

Assistant Examiner — Christina M. Dodson

(74) *Attorney, Agent, or Firm* — Nixon & Vanderhye

(57) **CLAIM**

The ornamental design for a light diffuser, as shown and described.

DESCRIPTION

FIG. 1 is a top perspective view of a light diffuser showing the new design;

FIG. 2 is a bottom perspective view thereof;

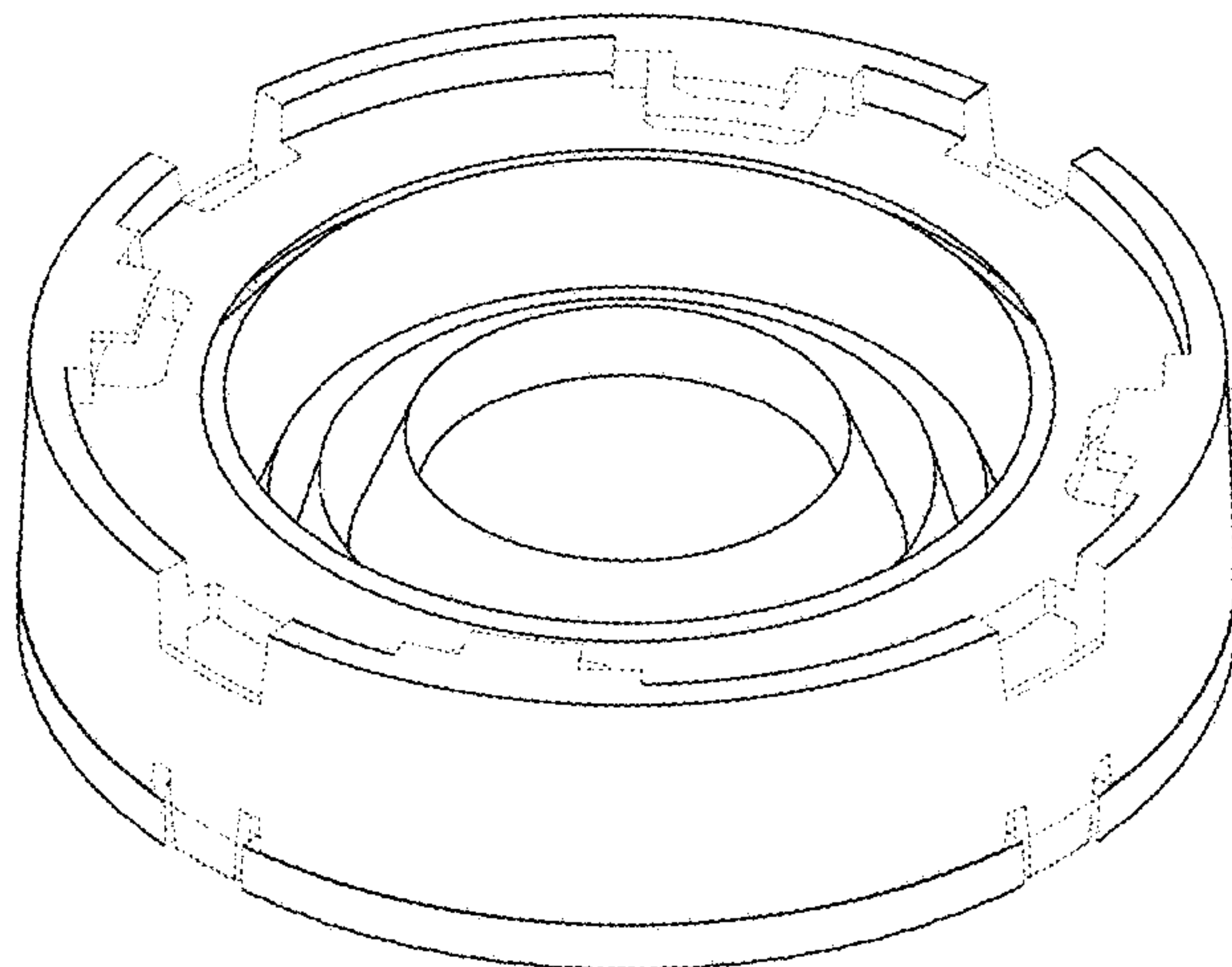
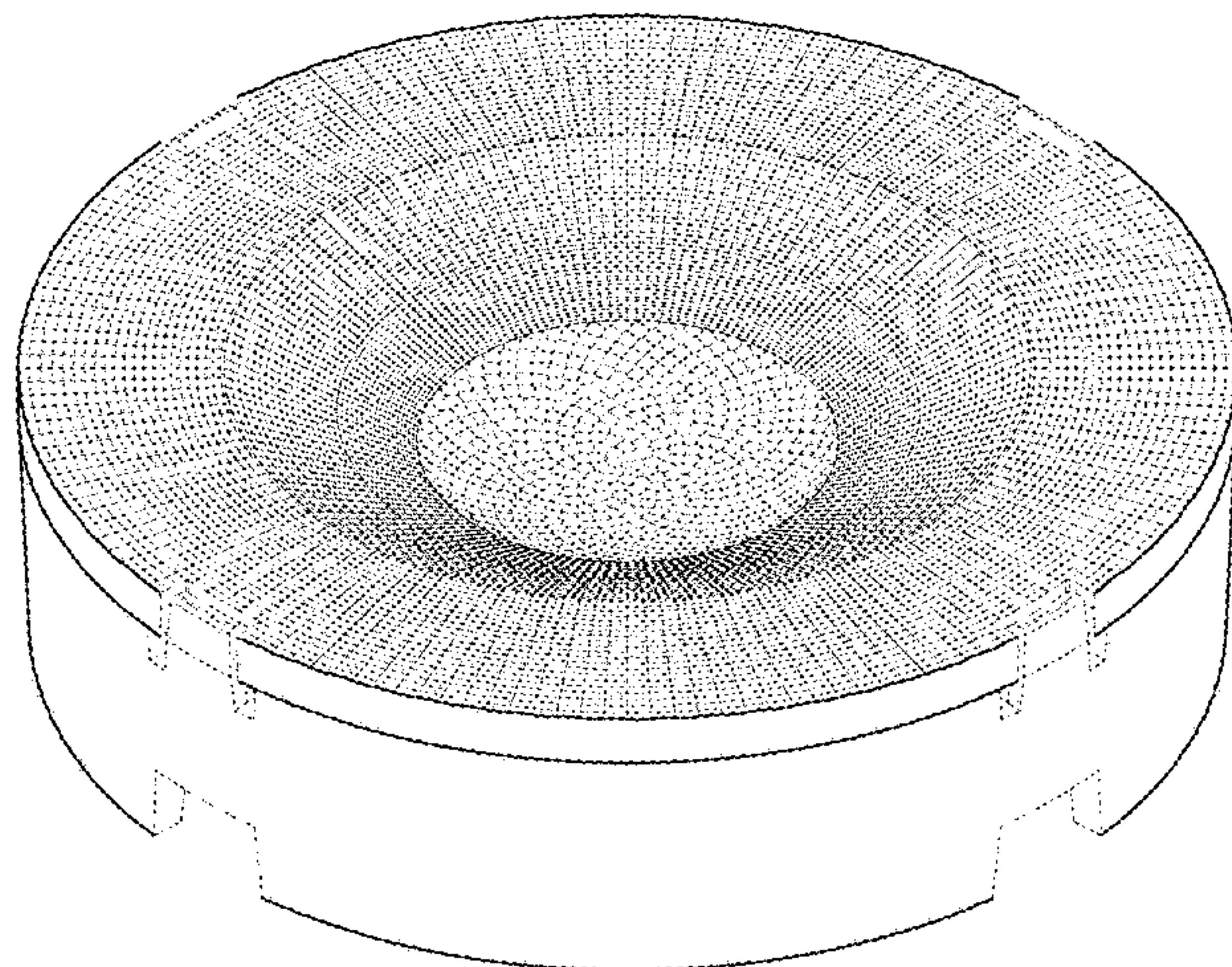
FIG. 3 is a top plan view thereof;

FIG. 4 is a bottom plan view thereof; and,

FIG. 5 is a side elevation view thereof.

The broken lines shown in the drawings illustrate portions of the light diffuser that form no part of the claimed design.

1 Claim, 5 Drawing Sheets



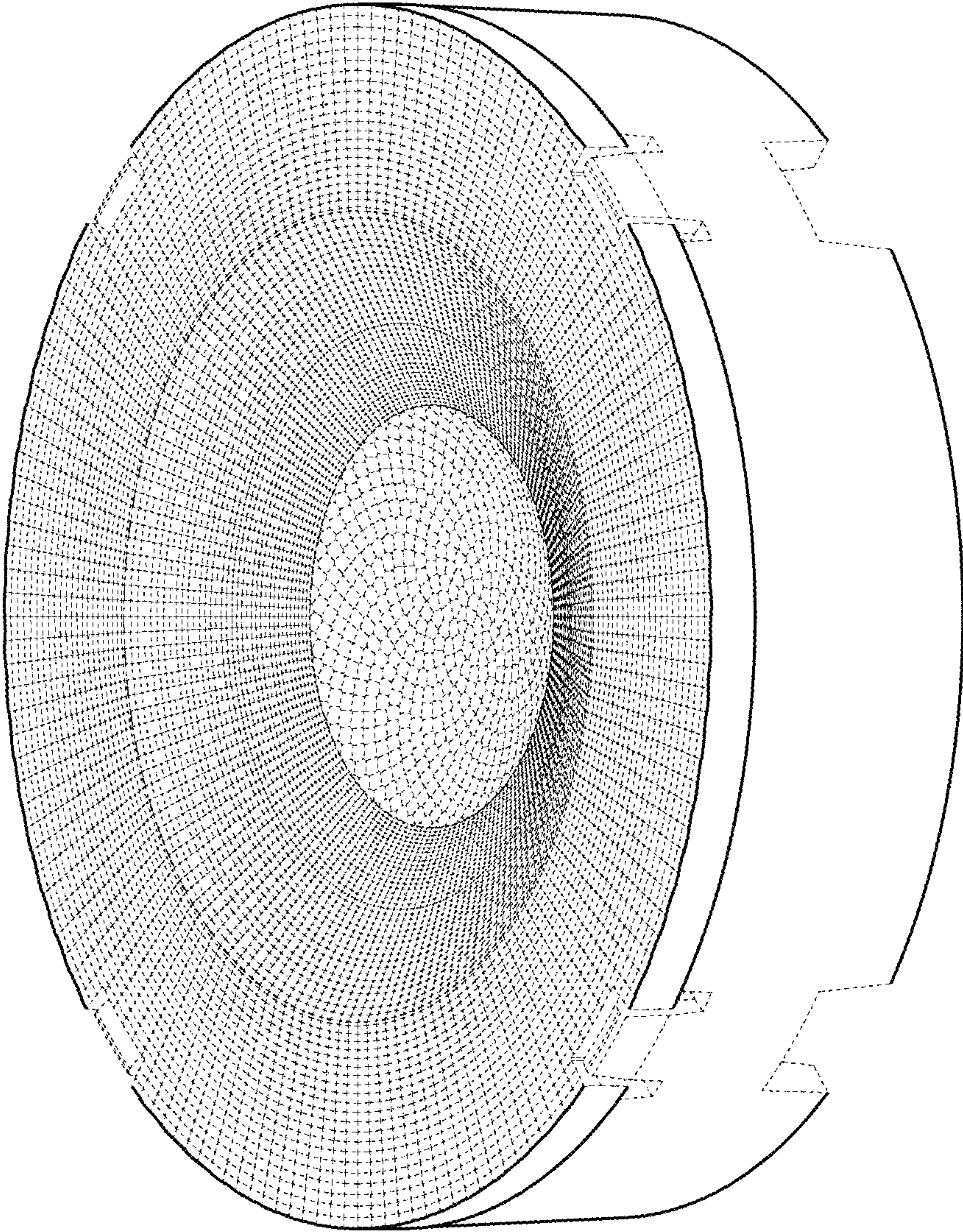


FIG. 1

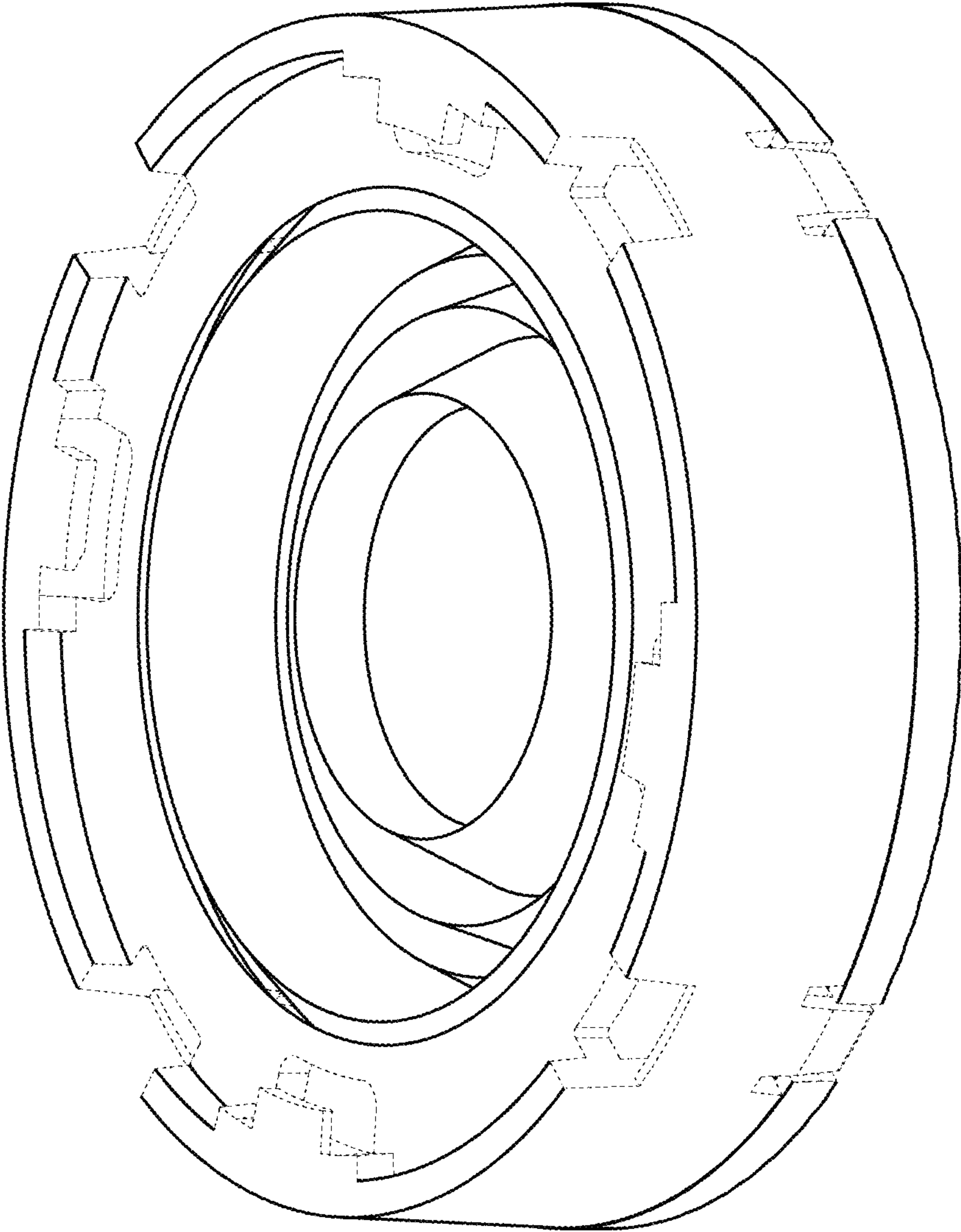


FIG. 2

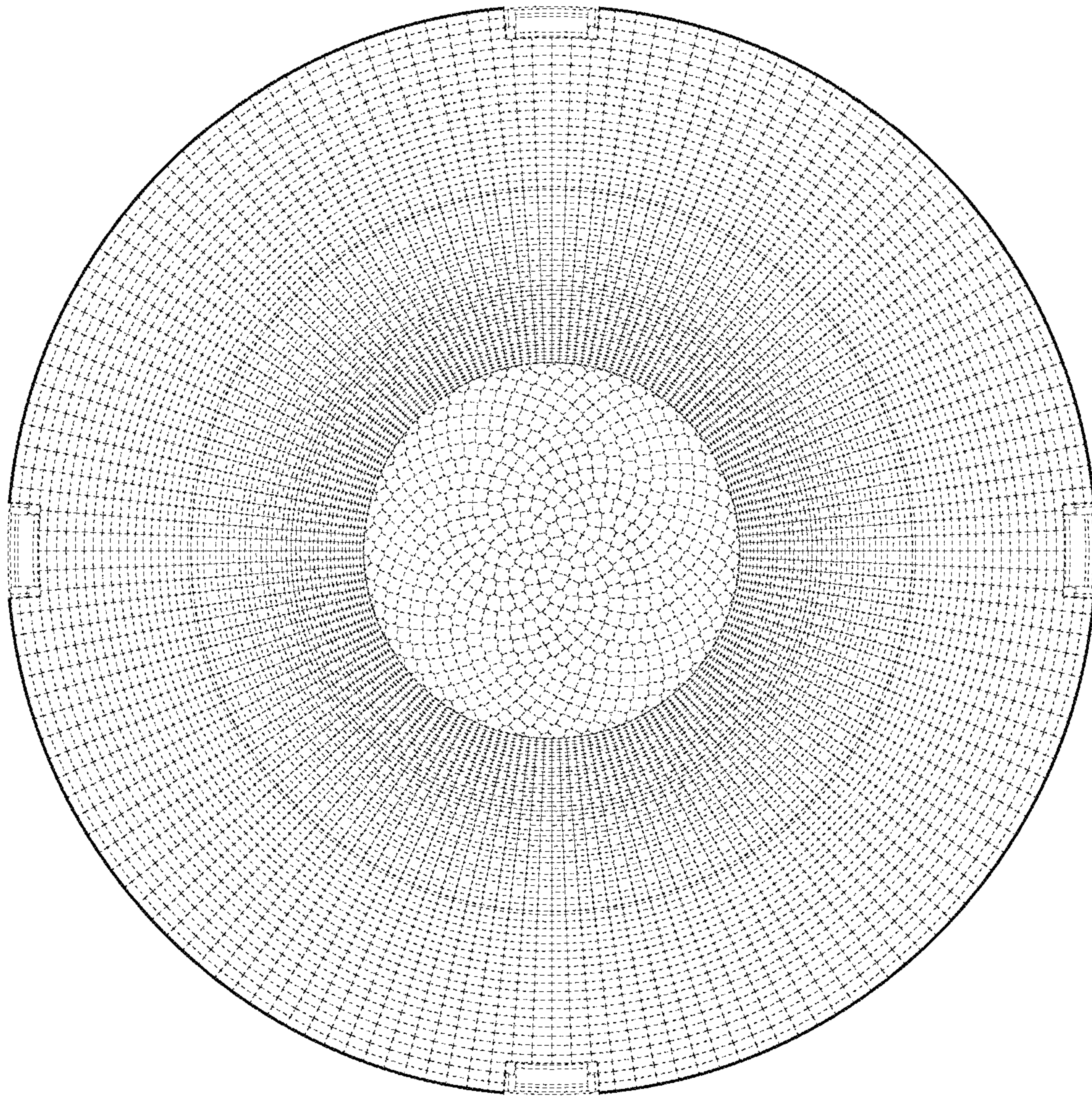


FIG. 3

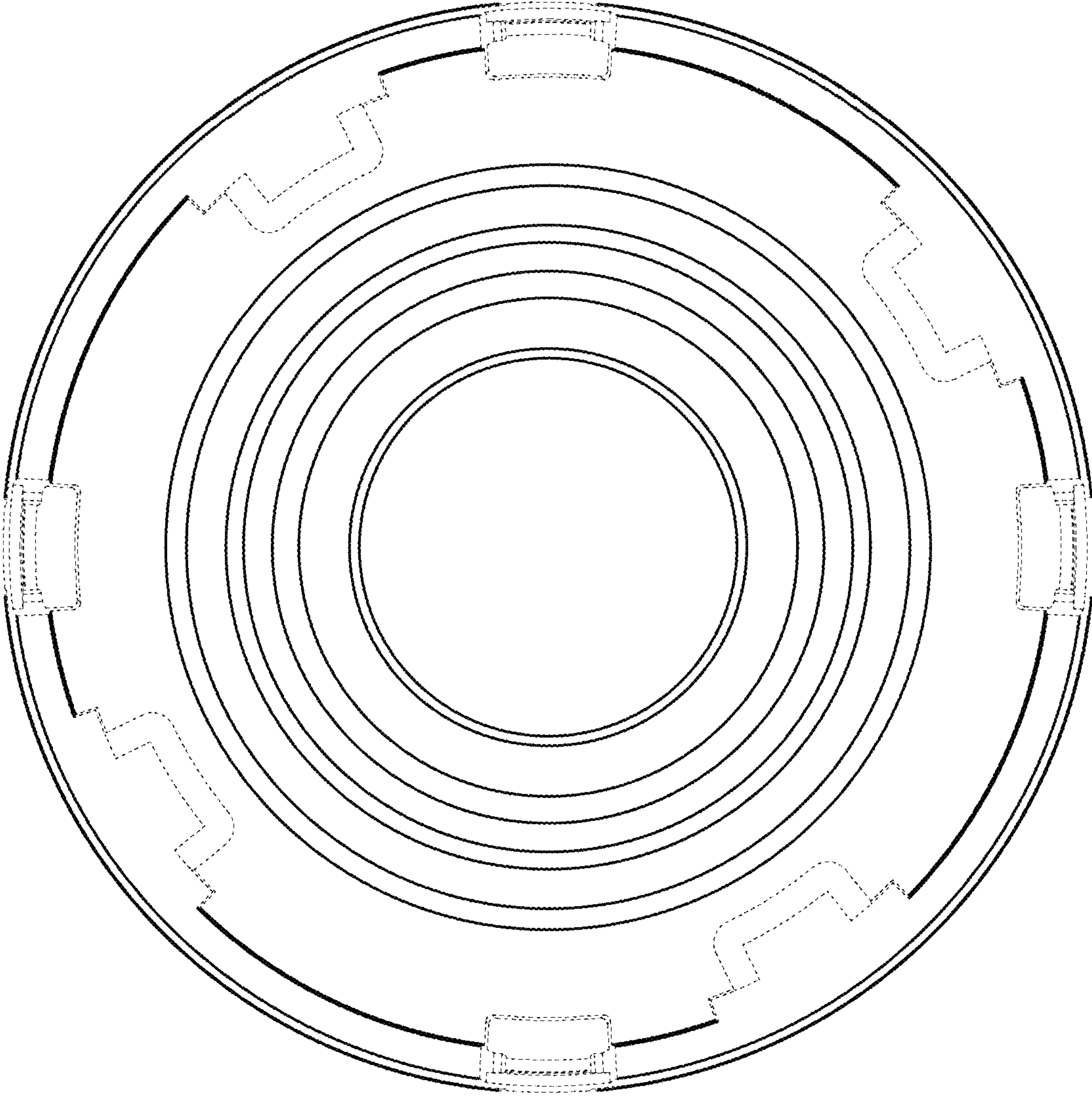


FIG. 4

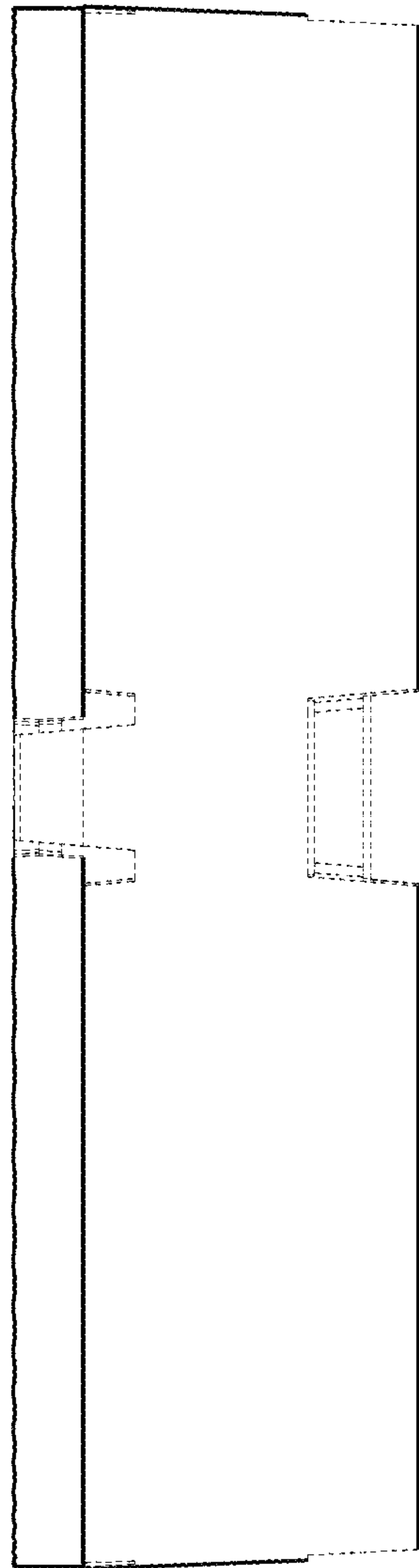


FIG. 5