



US00D970093S

(12) **United States Design Patent** (10) **Patent No.:** **US D970,093 S**  
**Jones** (45) **Date of Patent:** **\*\* Nov. 15, 2022**

(54) **LIGHT DIFFUSER**

(71) Applicant: **Ledil Oy**, Salo (FI)

(72) Inventor: **Joel Jones**, Salo (FI)

(73) Assignee: **LEDIL OY**, Salo (FI)

(\*\*) Term: **15 Years**

(21) Appl. No.: **29/774,127**

(22) Filed: **Mar. 15, 2021**

(30) **Foreign Application Priority Data**

Sep. 16, 2020 (EM) ..... 008171797-0002

(51) **LOC (13) Cl.** ..... **26-05**

(52) **U.S. Cl.**  
USPC ..... **D26/122**

(58) **Field of Classification Search**  
USPC .... D10/106.1-106.8; D16/101, 137; D26/1,  
D26/2, 24, 51, 61, 72, 74, 85, 86, 88, 89,  
D26/90, 91, 92, 113, 118, 120-123  
CPC .... F21S 8/00; F21S 8/006; F21S 8/026; F21S  
8/04; F21S 8/06; F21V 3/00; F21V 3/02;  
F21V 7/00; F21V 7/0008; F21V 7/005;  
F21V 7/0083; F21V 7/04; F21V 7/045;  
F21V 7/05; F21V 7/06

See application file for complete search history.

(56) **References Cited**

U.S. PATENT DOCUMENTS

D611,078 S \* 3/2010 Chen ..... D16/101  
D729,858 S \* 5/2015 Imai ..... D16/134  
D766,471 S \* 9/2016 Wimmer ..... D26/1  
D770,062 S \* 10/2016 Peng ..... D26/1  
D771,172 S \* 11/2016 Huang ..... D16/134  
D785,848 S \* 5/2017 Couture ..... D26/89

D803,470 S \* 11/2017 Austin, III ..... D26/118  
D852,402 S \* 6/2019 Zhu ..... D26/89  
D855,861 S \* 8/2019 Perrone ..... D26/74  
D932,609 S \* 10/2021 Gebke ..... D23/388  
2021/0010662 A1\* 1/2021 Dixit ..... F21S 8/04  
2021/0270449 A1\* 9/2021 Cao ..... F21V 23/045

OTHER PUBLICATIONS

LEDiL Product Datasheet, available Feb. 15, 2021, retrieved Aug. 3, 2022 from URL: <https://www.ledil.com/data/prod/Violetta/17826/17826-ds.pdf> (Year: 2021).\*

LEDiL Product catalogue, available Jul. 12, 2022, retrieved Jul. 26, 2022 from URL: [https://www.ledil.com/wp-content/uploads/2022/07/LEDiL\\_catalogue\\_2022-first-edition\\_v1-0\\_web-1.pdf](https://www.ledil.com/wp-content/uploads/2022/07/LEDiL_catalogue_2022-first-edition_v1-0_web-1.pdf) (Year: 2022).\*

\* cited by examiner

*Primary Examiner* — Richard Kearney

*Assistant Examiner* — Christina M. Dodson

(74) *Attorney, Agent, or Firm* — Nixon & Vanderhye

(57) **CLAIM**

The ornamental design for a light diffuser, as shown and described.

**DESCRIPTION**

FIG. 1 is a top perspective view of a light diffuser showing the new design;

FIG. 2 is a bottom perspective view thereof;

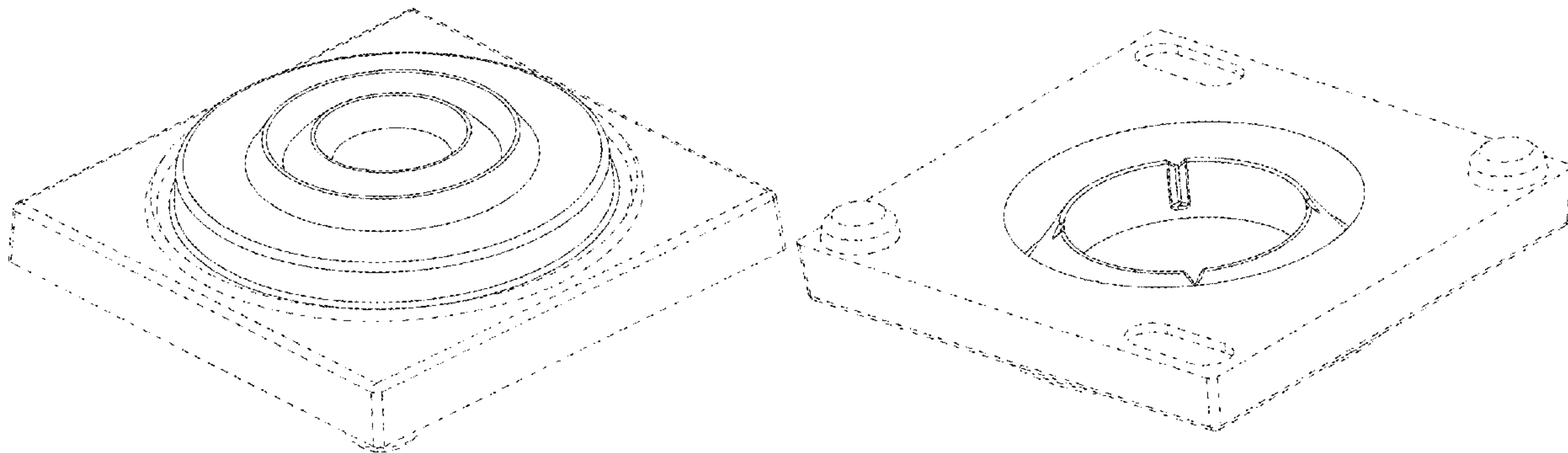
FIG. 3 is a top plan view thereof;

FIG. 4 is a bottom plan view thereof; and,

FIG. 5 is a side elevation view thereof.

The portions of the light diffuser shown in broken lines form no part of the claim.

**1 Claim, 5 Drawing Sheets**



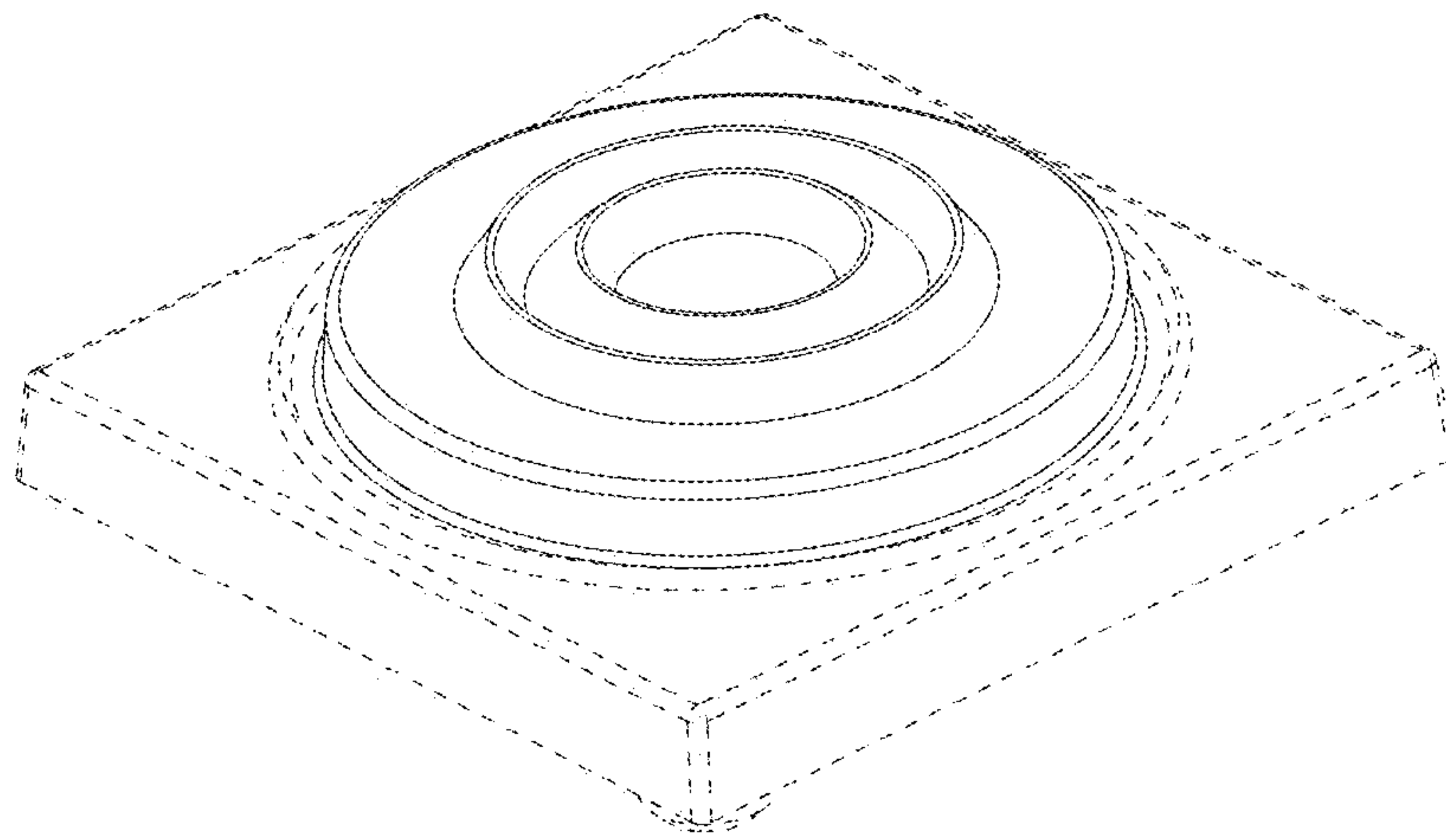


FIG. 1

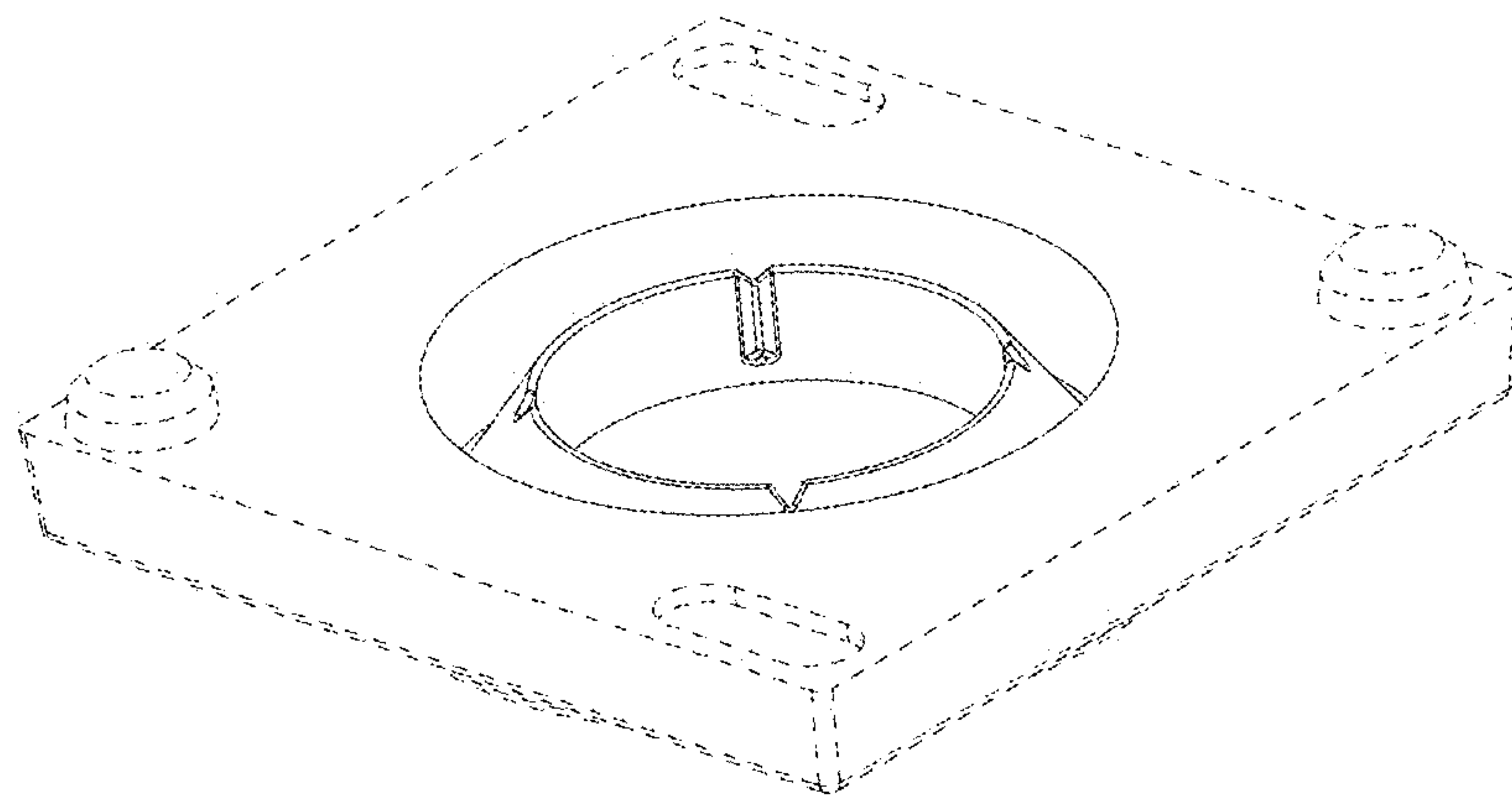


FIG. 2

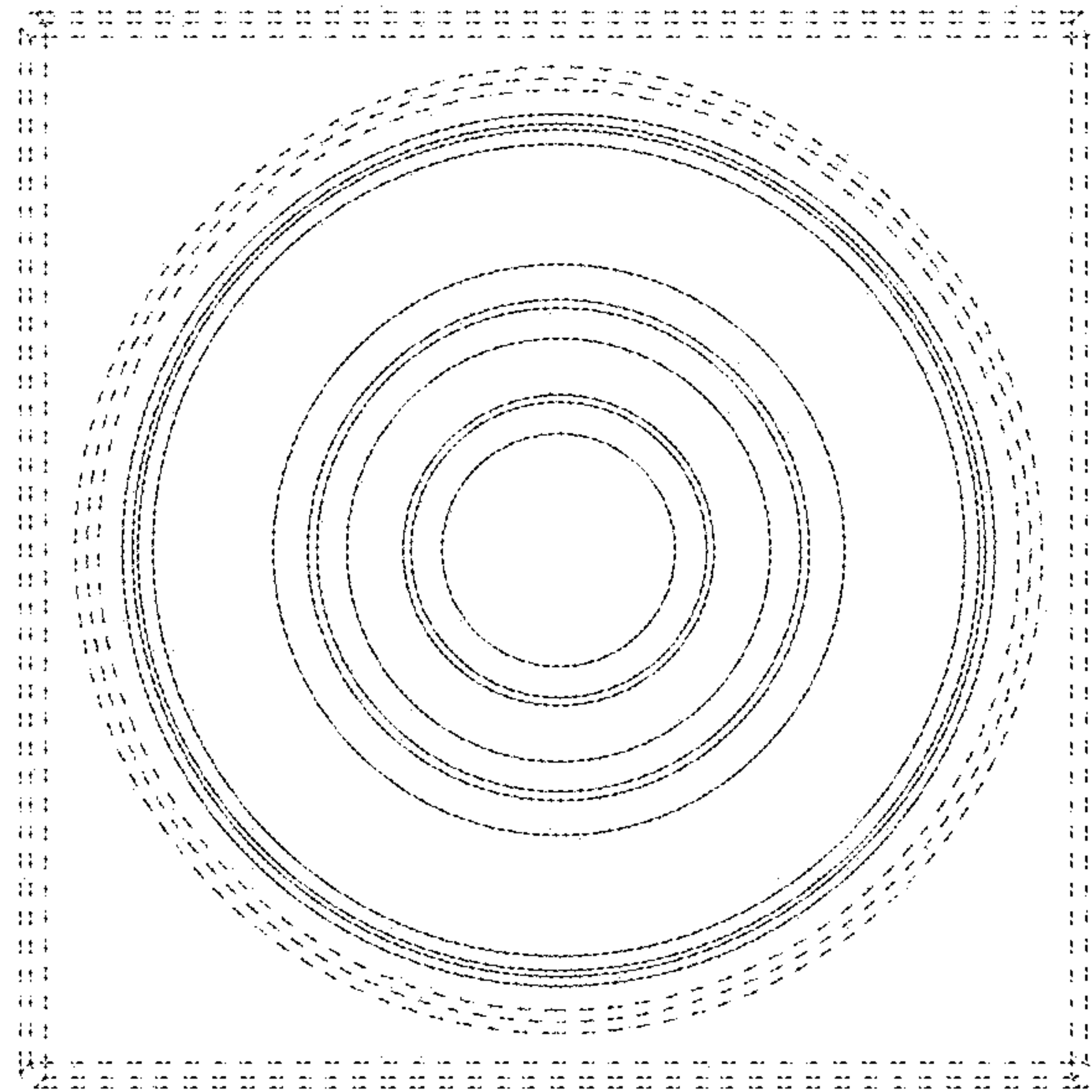


FIG. 3

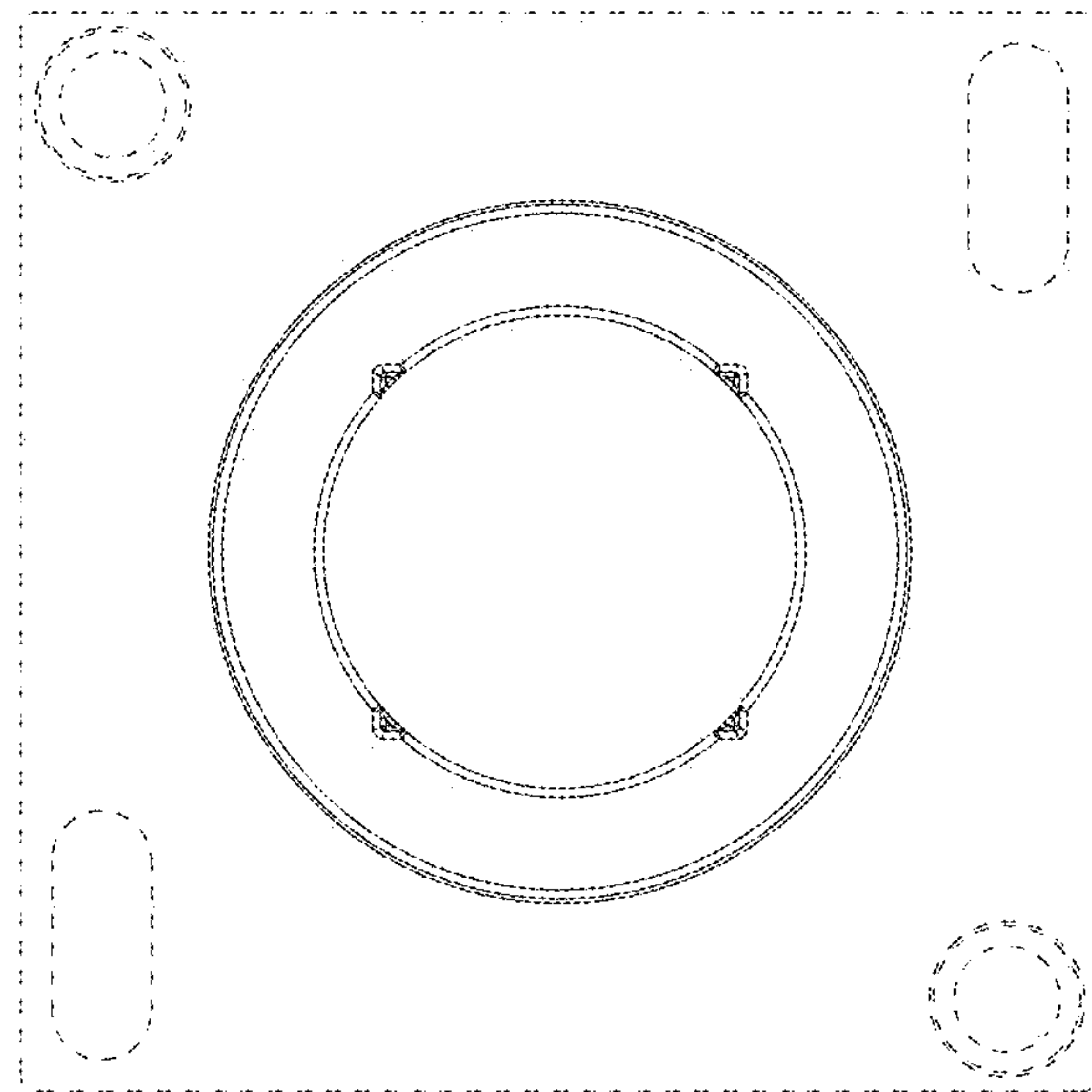


FIG. 4

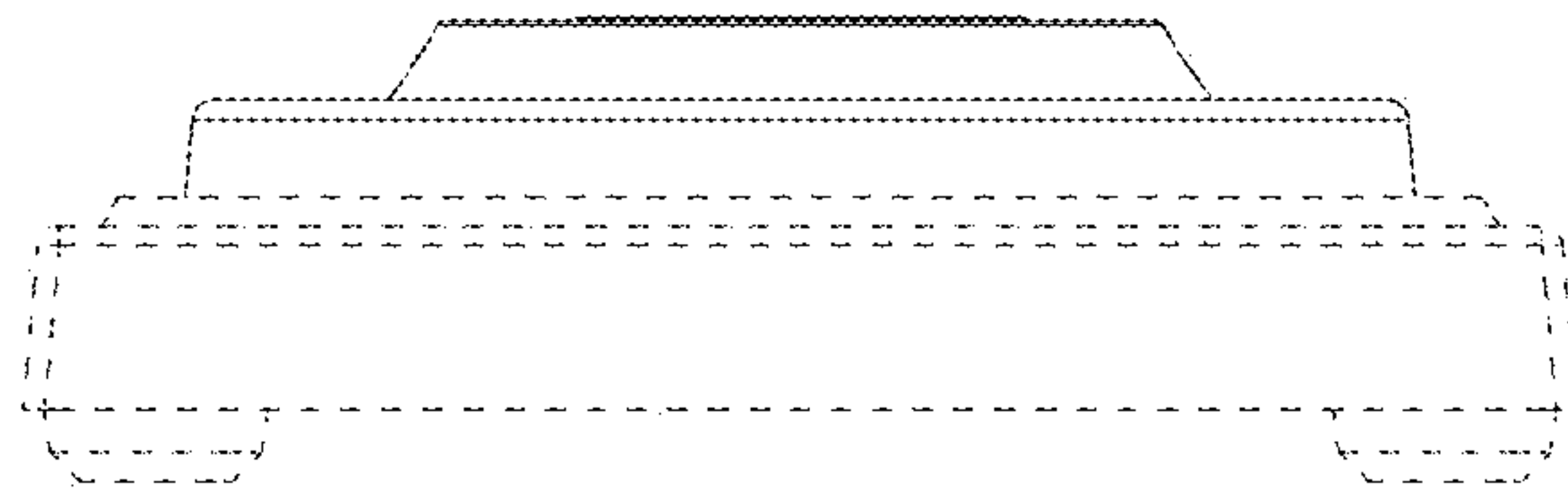


FIG. 5