



US00D970091S

(12) **United States Design Patent**
Siuvatti

(10) **Patent No.:** **US D970,091 S**

(45) **Date of Patent:** **** Nov. 15, 2022**

(54) **LIGHT DIFFUSER**

(71) Applicant: **LEDIL OY**, Salo (FI)

(72) Inventor: **Karri Siuvatti**, Salo (FI)

(73) Assignee: **LEDIL OY**, Salo (FI)

(**) Term: **15 Years**

(21) Appl. No.: **29/764,985**

(22) Filed: **Jan. 5, 2021**

(30) **Foreign Application Priority Data**

Jul. 6, 2020 (EM) 008030191-0001

(51) **LOC (13) Cl.** **26-05**

(52) **U.S. Cl.**
USPC **D26/120**

(58) **Field of Classification Search**
USPC D16/101, 134, 137; D26/1, 2, 24, 51, 61,
D26/72, 74, 85, 86, 88, 89, 90, 91, 92,
D26/113, 118, 120-123
CPC F21S 8/00; F21S 8/006; F21S 8/026; F21S
8/04; F21S 8/06; F21V 3/00; F21V 3/02;
F21V 7/00; F21V 7/0008; F21V 7/005;
F21V 7/0083; F21V 7/04; F21V 7/045;
F21V 7/05; F21V 7/06

See application file for complete search history.

(56) **References Cited**

U.S. PATENT DOCUMENTS

D535,037 S * 1/2007 Kim D26/1
D647,416 S * 10/2011 Kim D10/111
D677,831 S * 3/2013 Lin D26/120
D780,821 S * 3/2017 Koenig, II D16/136
D882,157 S * 4/2020 Laakkio D26/120

D882,158 S * 4/2020 Laakkio D26/120
D930,891 S * 9/2021 Siuvatti D26/122
11,112,083 B2 * 9/2021 Raleigh F21V 5/007
2011/0292658 A1 * 12/2011 Ho F21V 5/048
362/307
2022/0003387 A1 * 1/2022 Laukkanen F21V 17/164

OTHER PUBLICATIONS

LEDiL Announces New Products, available Mar. 19, 2012, retrieved Jul. 26, 2022 from URL: <https://www.led-professional.com/products/led-optics/ledil-announces-new-products-lisa2-r-reflector-sophie-linear-lens-and-strada-2x2-lens-array> (Year: 2012).*

LEDiL Product catalogue, available Jul. 12, 2022, retrieved Jul. 26, 2022 from URL: https://www.ledil.com/wp-content/uploads/2022/07/LEDiL_catalogue_2022-first-edition_v1-0_web-1.pdf (Year: 2022).*

* cited by examiner

Primary Examiner — Richard Kearney

Assistant Examiner — Christina M. Dodson

(74) *Attorney, Agent, or Firm* — Nixon & Vanderhye

(57) **CLAIM**

The ornamental design for a light diffuser, as shown and described.

DESCRIPTION

FIG. 1 is a top perspective of a light diffuser showing the new design;

FIG. 2 is a bottom perspective view thereof;

FIG. 3 is a top plan view thereof;

FIG. 4 is a bottom plan view thereof;

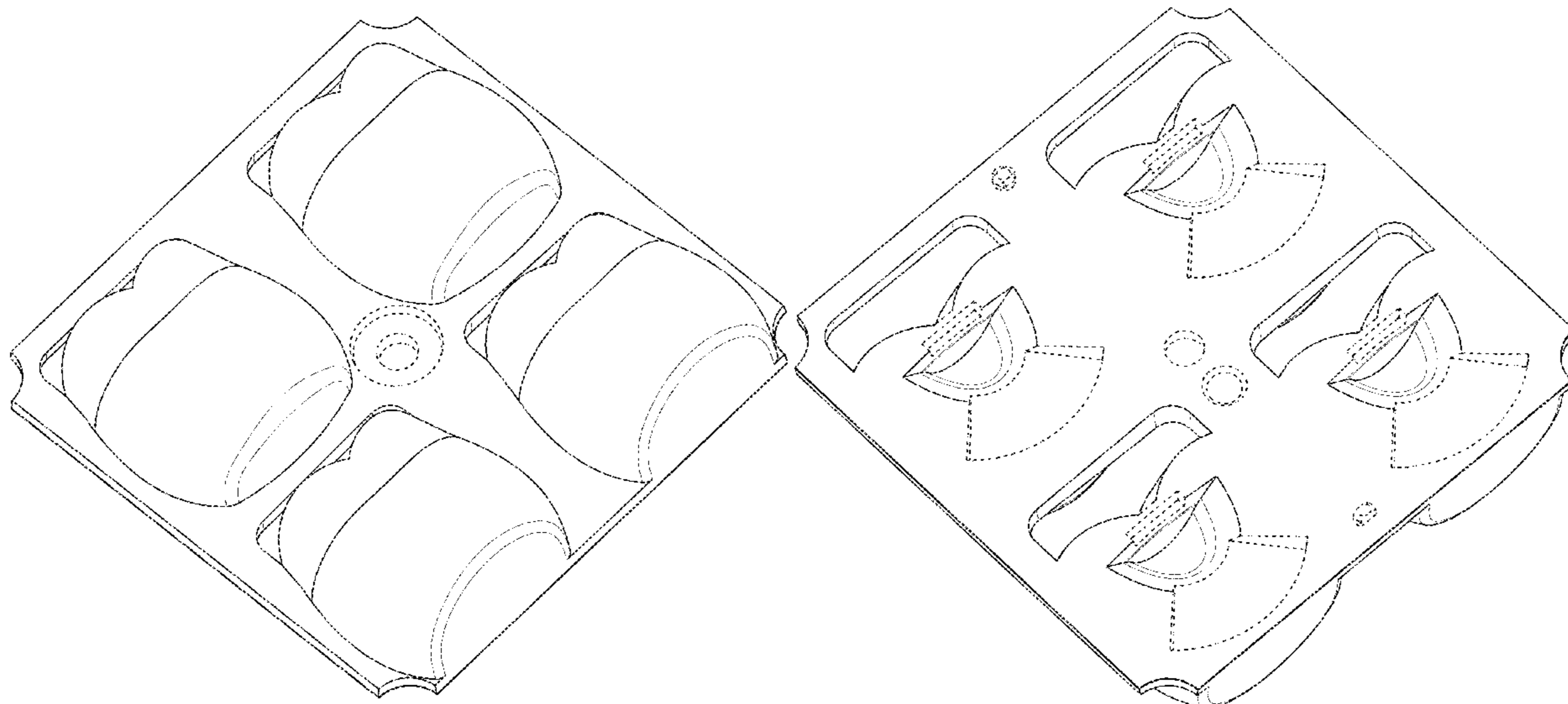
FIG. 5 is a front view thereof;

FIG. 6 is a back view thereof; and,

FIG. 7 is a side view thereof.

The portions of the light diffuser shown in broken lines form no part of the claim.

1 Claim, 7 Drawing Sheets



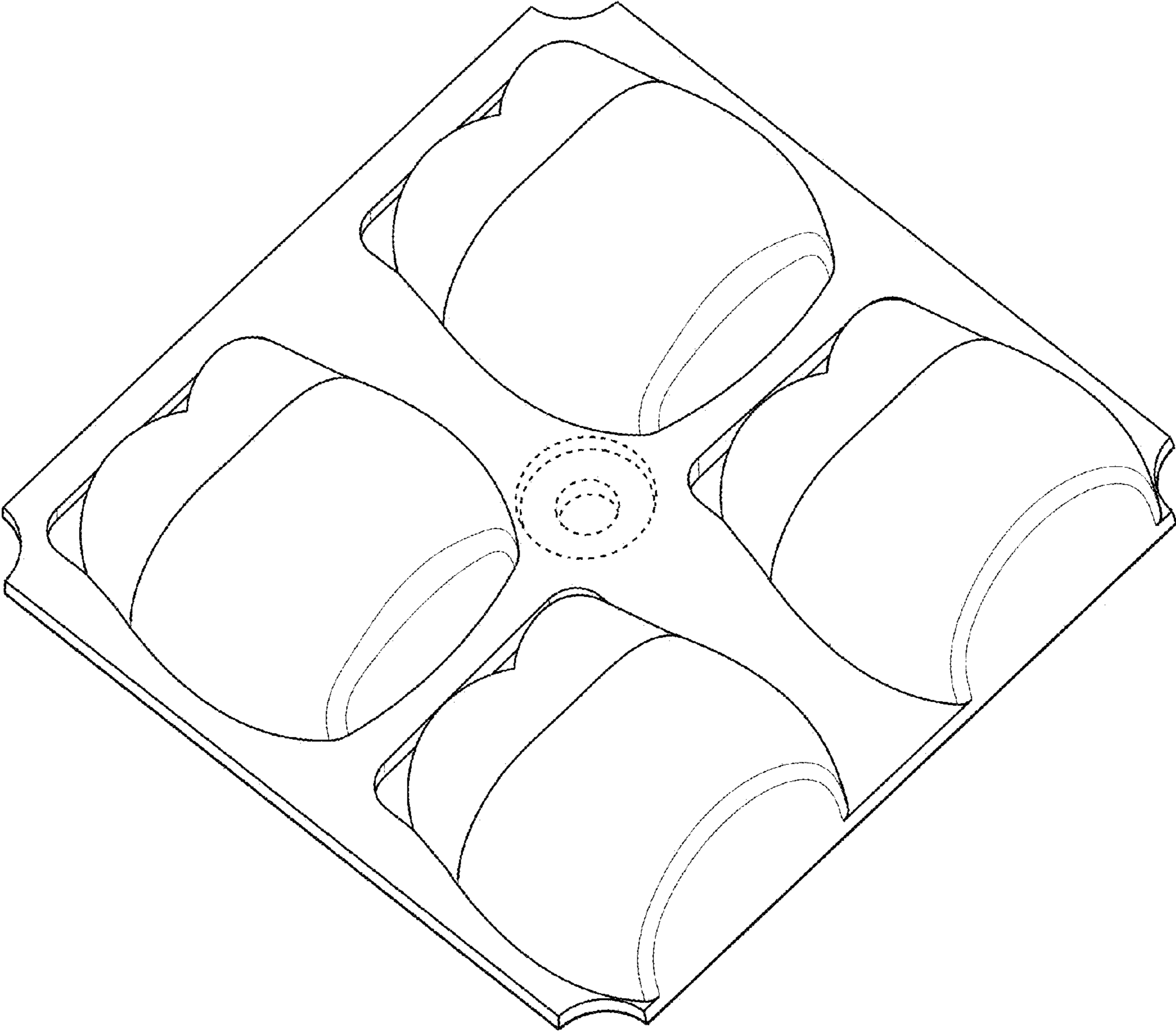


FIG. 1

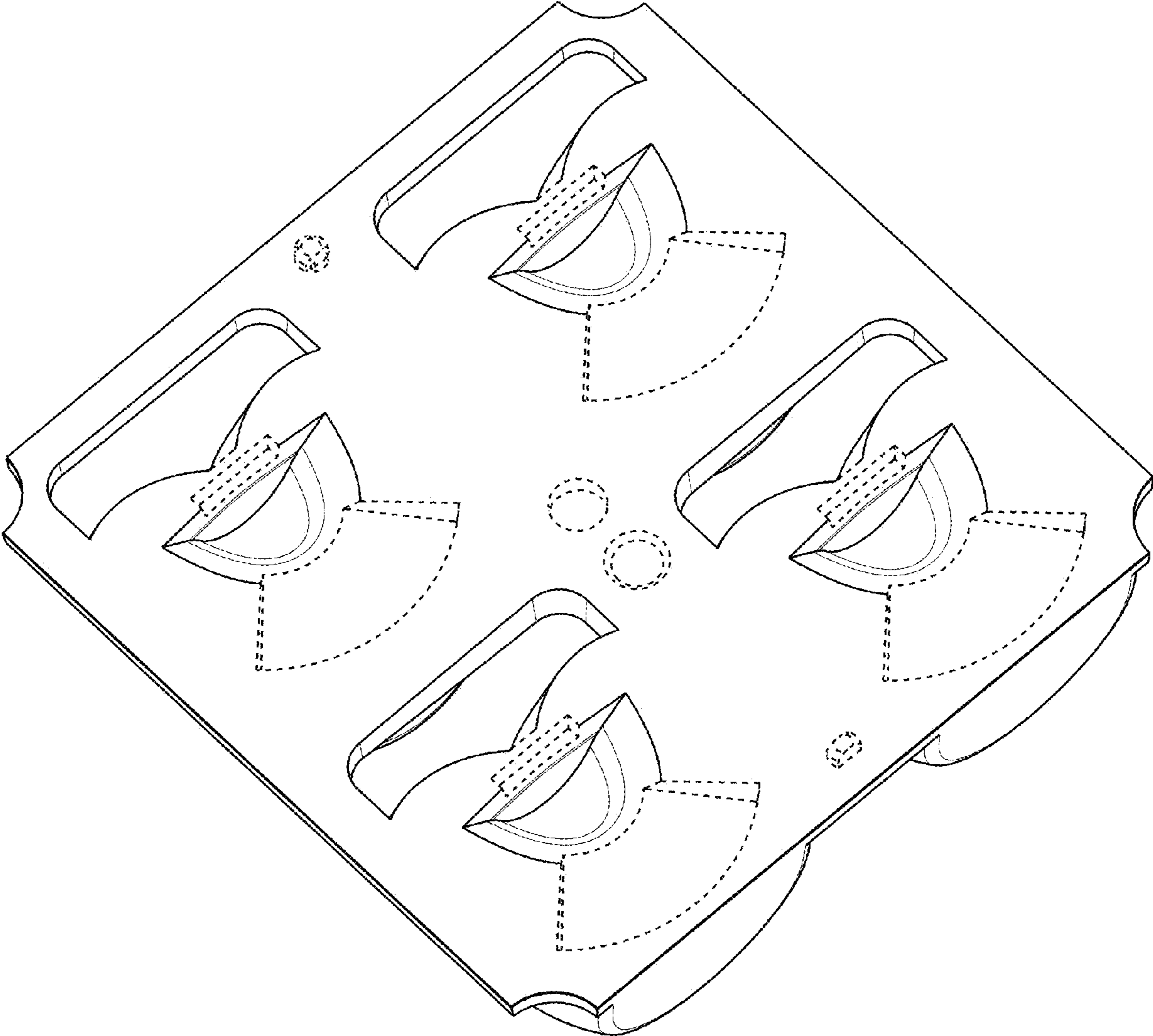


FIG. 2

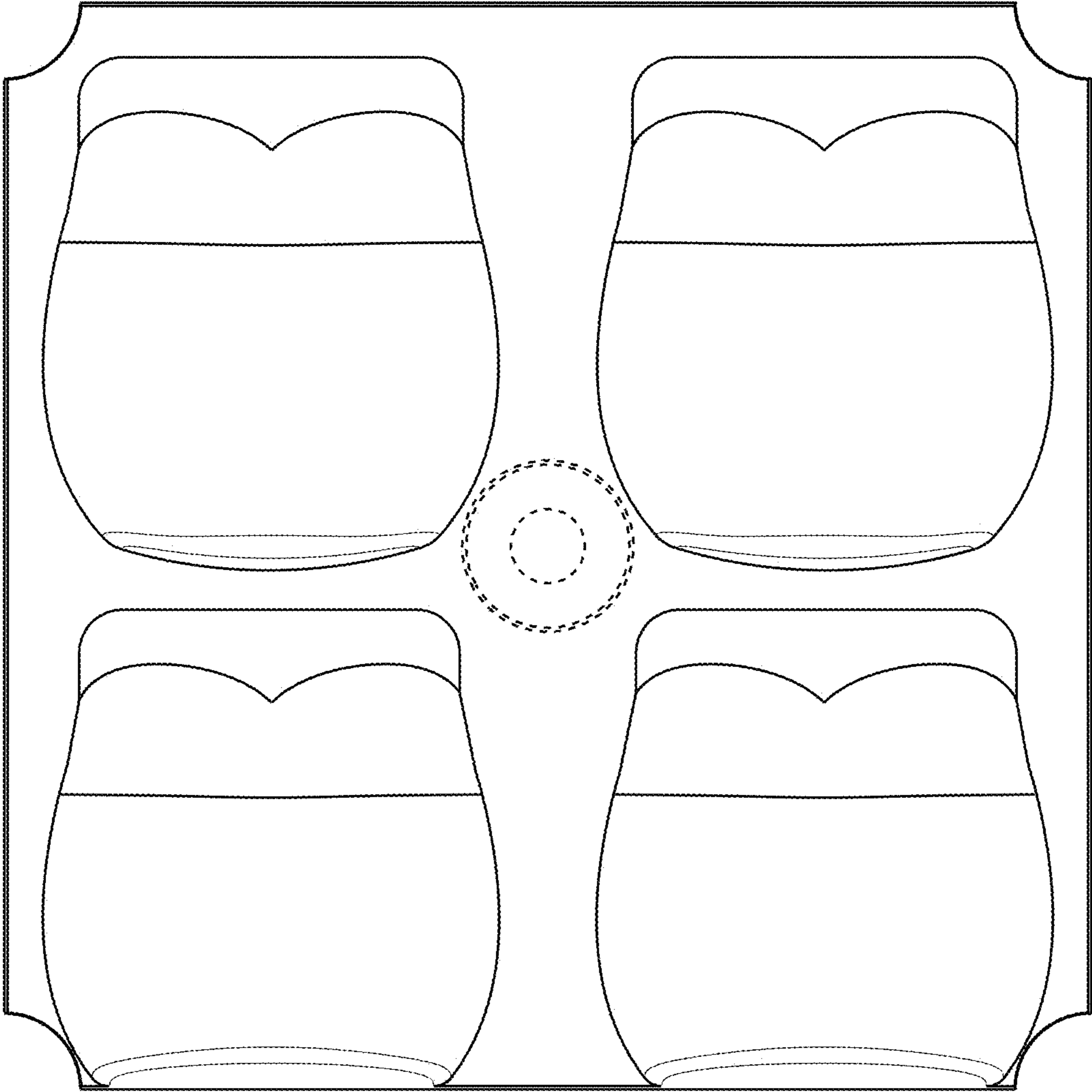


FIG. 3

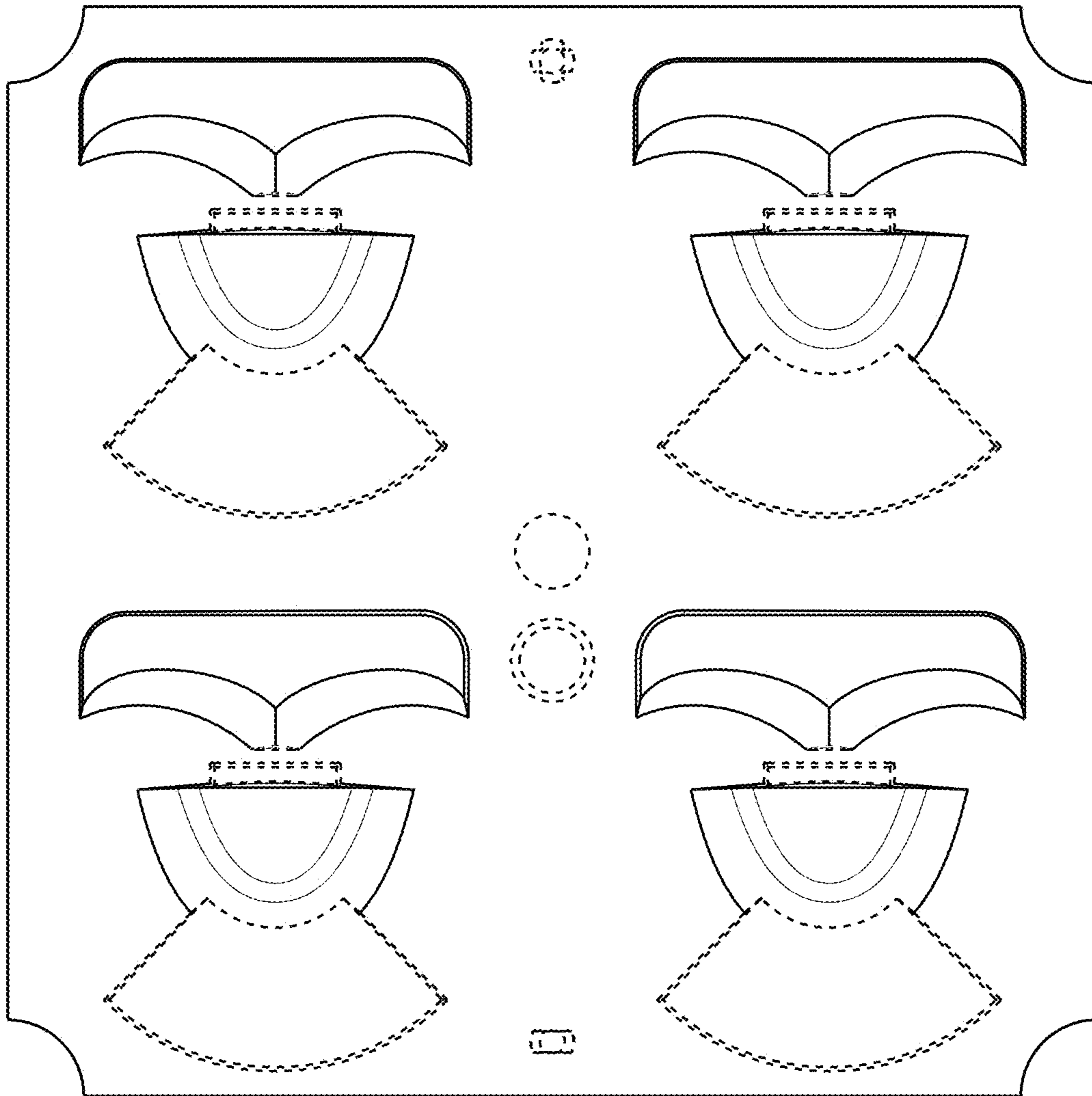


FIG. 4

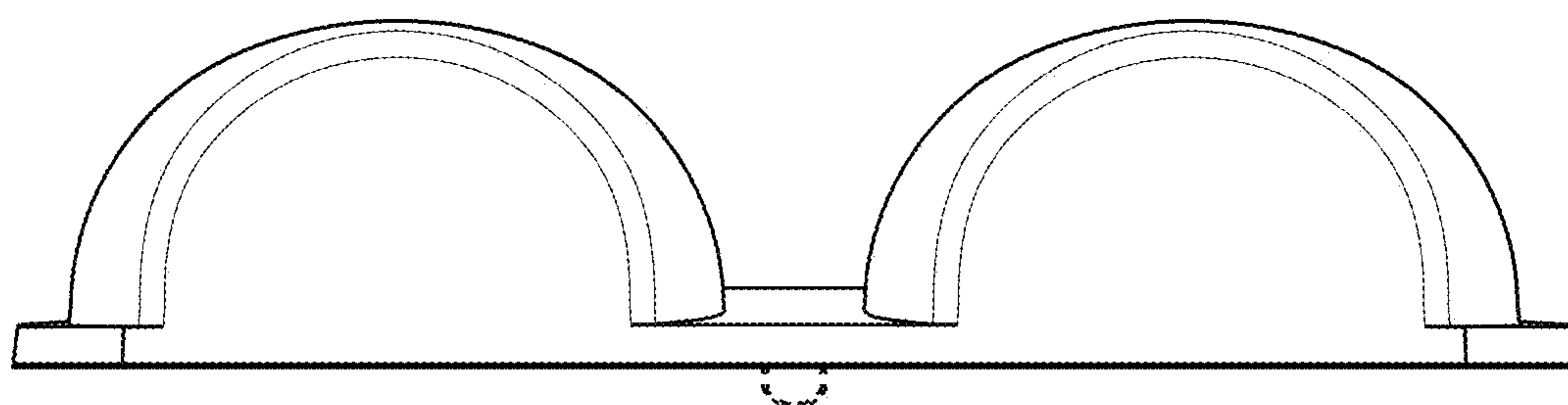


FIG. 5

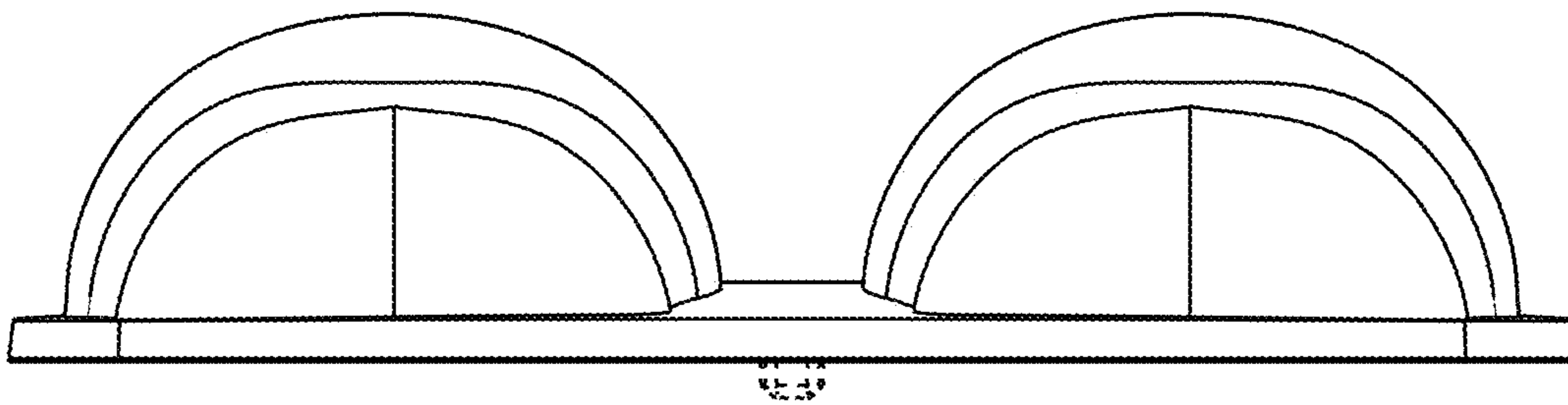


FIG. 6

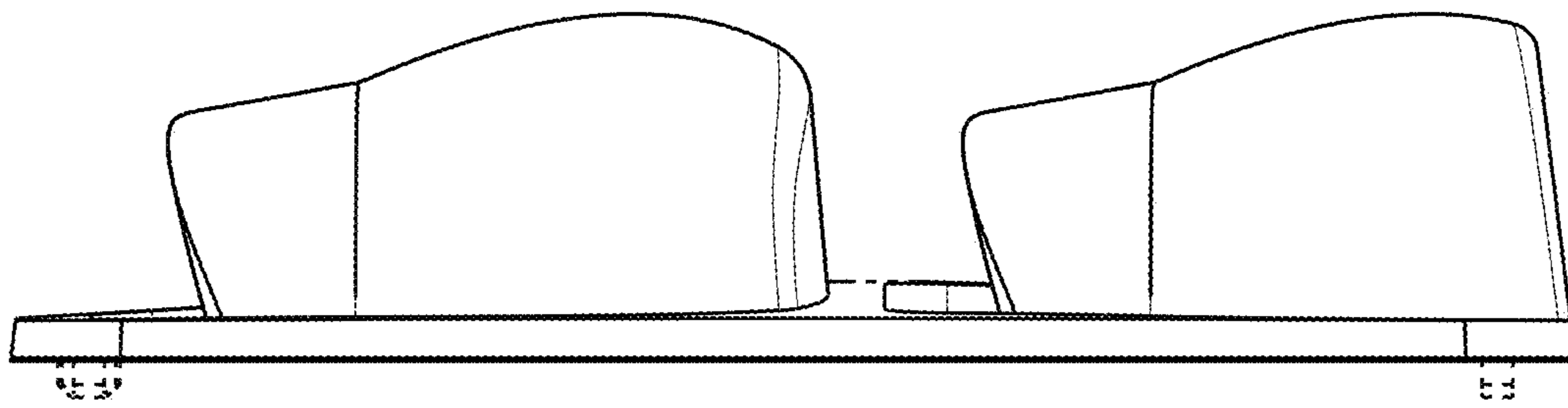


FIG. 7