



US00D970087S

(12) **United States Design Patent** (10) **Patent No.:** **US D970,087 S**
Pérez (45) **Date of Patent:** **** Nov. 15, 2022**

(54) **CANDLESTICK**
(71) Applicant: **LOEWE S.A.**, Madrid (ES)
(72) Inventor: **Almudena Pérez**, Madrid (ES)
(**) Term: **15 Years**

D171,041 S * 12/1953 Meara D26/11
D299,556 S * 1/1989 Marshbanks D26/96
D432,258 S * 10/2000 Fussell D26/96
D710,039 S * 7/2014 Schwenk D26/9
D740,462 S * 10/2015 Schwenk D26/9
D757,999 S * 5/2016 Elhalwani D27/162
D775,759 S * 1/2017 Clarke D26/96
D793,614 S * 8/2017 Patton D26/96
D898,957 S * 10/2020 Satter-Lassen D26/22

(21) Appl. No.: **35/510,973**
(22) Filed: **Jun. 15, 2020**

* cited by examiner

(80) **Hague Agreement Data**

Int. Filing Date: **Jun. 15, 2020**
Int. Reg. No.: **DM/210397**
Int. Reg. Date: **Jun. 15, 2020**
Int. Reg. Pub. Date: **Dec. 18, 2020**

Primary Examiner — **Natasha Vujcic**
(74) *Attorney, Agent, or Firm* — **Cantor Colburn LLP**

(51) **LOC (13) Cl.** **26-05**
(52) **U.S. Cl.**
USPC **D26/96; D26/9**

(57) **CLAIM**

The ornamental design for candlestick, as shown and described.

(58) **Field of Classification Search**
USPC D26/4-10, 96
CPC F21S 6/00; F21S 6/001; F21S 10/04; F21S
10/10; F21S 10/043; F21S 8/08; F21V
21/00; F21V 35/00

DESCRIPTION

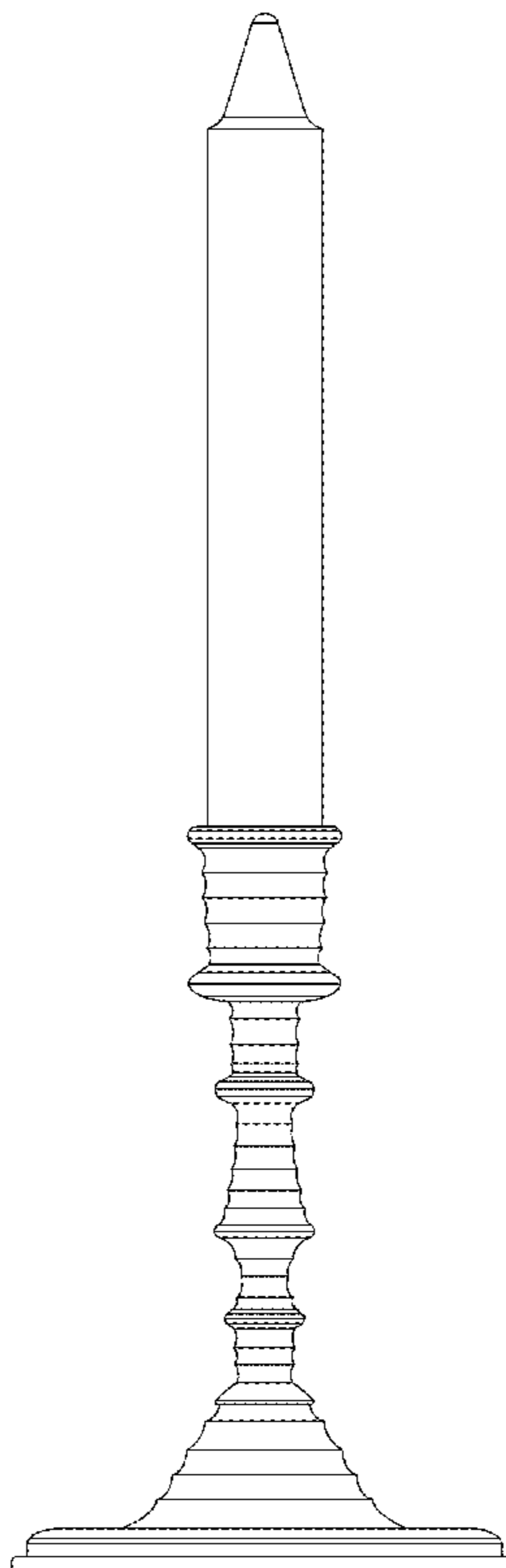
See application file for complete search history.

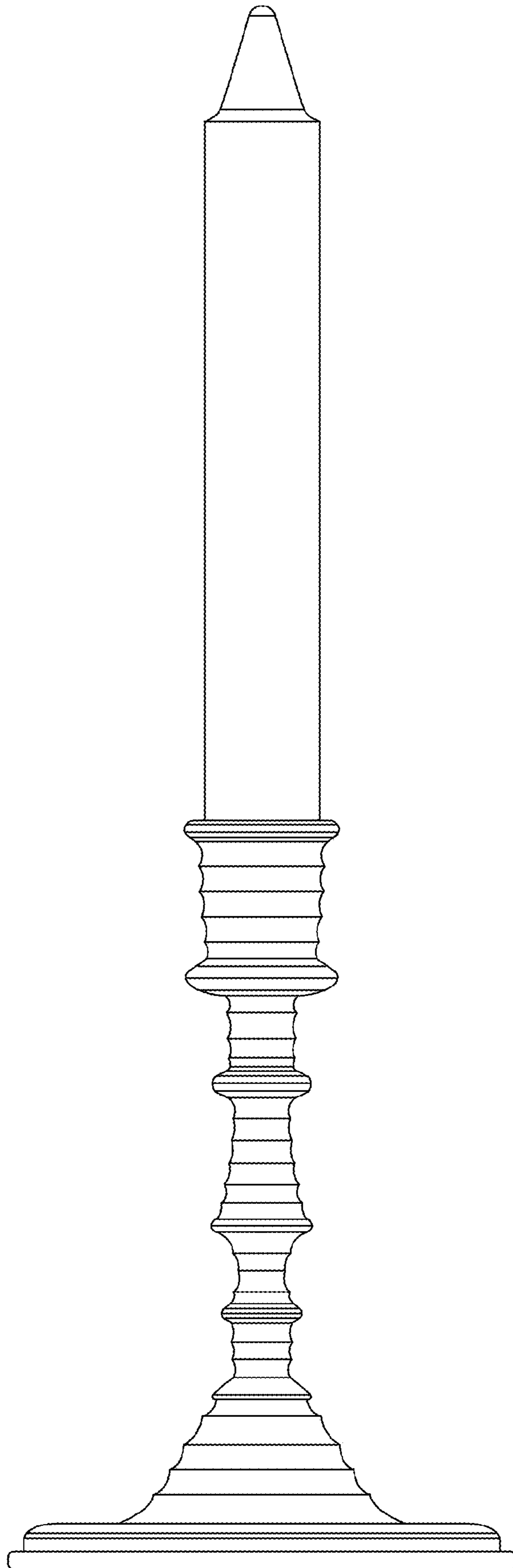
- 1. Candlestick
- 1.1 : Front
- 1.2 : Bottom
- 1.3 : Top

(56) **References Cited**
U.S. PATENT DOCUMENTS

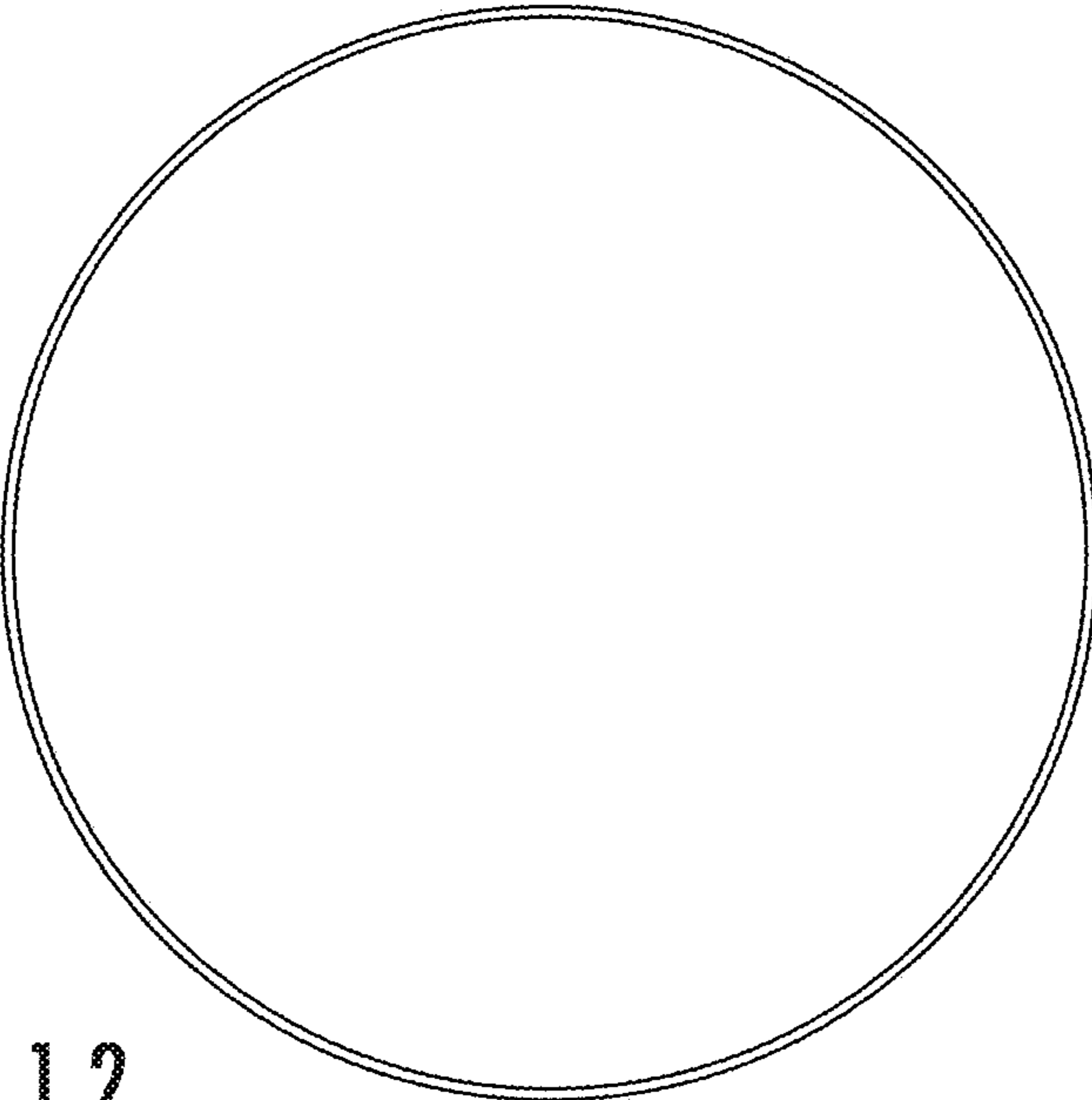
D29,877 S * 12/1898 Miller et al. D26/9
D91,783 S * 3/1934 MacDonald D26/9

1 Claim, 2 Drawing Sheets

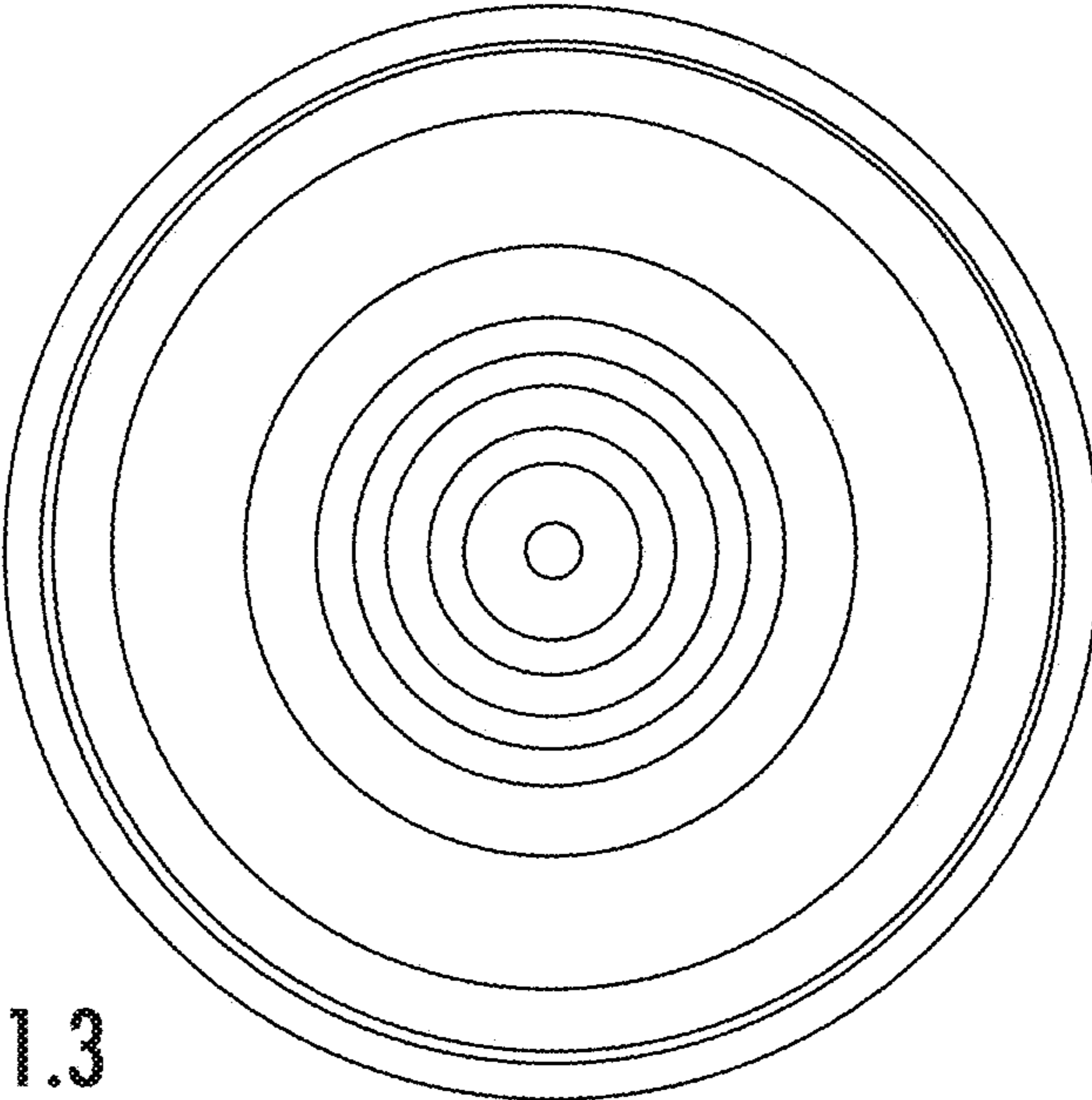




1.1



1.2



1.3