

US00D970085S

(12) **United States Design Patent** (10) **Patent No.:** **US D970,085 S**  
**Hoover et al.** (45) **Date of Patent:** **\*\* Nov. 15, 2022**

(54) **LIGHT FIXTURE**

(71) Applicant: **KOHLER CO.**, Kohler, WI (US)

(72) Inventors: **Erin Leigh Hoover**, New York, NY (US); **Nicholas Robert Rindt**, Grafton, WI (US); **Dennis Lee Snyder**, Sheboygan, WI (US); **Seth M. Stevens**, Los Angeles, CA (US); **Maxwell Wasscher**, Grafton, WI (US); **Luke James Worth**, Sheboygan, WI (US); **Jovello Tijano Gomez, Jr.**, Sheboygan, WI (US)

(73) Assignee: **KOHLER CO.**

(\*\*) Term: **15 Years**

(21) Appl. No.: **29/744,856**

(22) Filed: **Jul. 31, 2020**

(51) **LOC (13) Cl.** ..... **26-05**

(52) **U.S. Cl.**  
USPC ..... **D26/88**

(58) **Field of Classification Search**  
USPC ..... D26/72, 84-90, 92, 118, 80-82  
CPC .... F21S 8/04; F21S 8/043; F21S 8/046; F21S 8/06; F21S 8/061; F21S 8/063; F21S 8/065; F21S 8/066; F21S 8/068  
See application file for complete search history.

(56) **References Cited**

**U.S. PATENT DOCUMENTS**

D49,476 S \* 8/1916 Lucas ..... D26/88  
D51,251 S \* 9/1917 Braunstein ..... D26/88  
D304,768 S \* 11/1989 Dicola ..... D26/84  
D340,780 S 10/1993 Porter  
5,273,452 A \* 12/1993 Donato ..... F21V 29/83  
439/339  
D343,245 S \* 1/1994 Fouke ..... D26/88  
D343,250 S \* 1/1994 Fouke ..... D26/88  
D344,606 S \* 2/1994 Fouke ..... D26/88

D351,250 S \* 10/1994 Dolan ..... D26/88  
D370,545 S \* 6/1996 Porter ..... D26/88  
D391,662 S 3/1998 Miranda  
D404,168 S \* 1/1999 Dolan ..... D26/88  
D409,788 S \* 5/1999 Dolan ..... D26/84  
D418,625 S \* 1/2000 Dolan ..... D26/88

(Continued)

**OTHER PUBLICATIONS**

Rejuvenation, Carson Pendant with cage. First available unknown. Searched Mar. 11, 2022. [https://www.rejuvenation.com/catalog/collections/carson-12-plug-in-pendant-with-cage] (Year: 2022).\*  
(Continued)

*Primary Examiner* — Samantha Q Lawrence  
*Assistant Examiner* — Melissa Adriane Santos  
(74) *Attorney, Agent, or Firm* — The Belles Group, P.C.

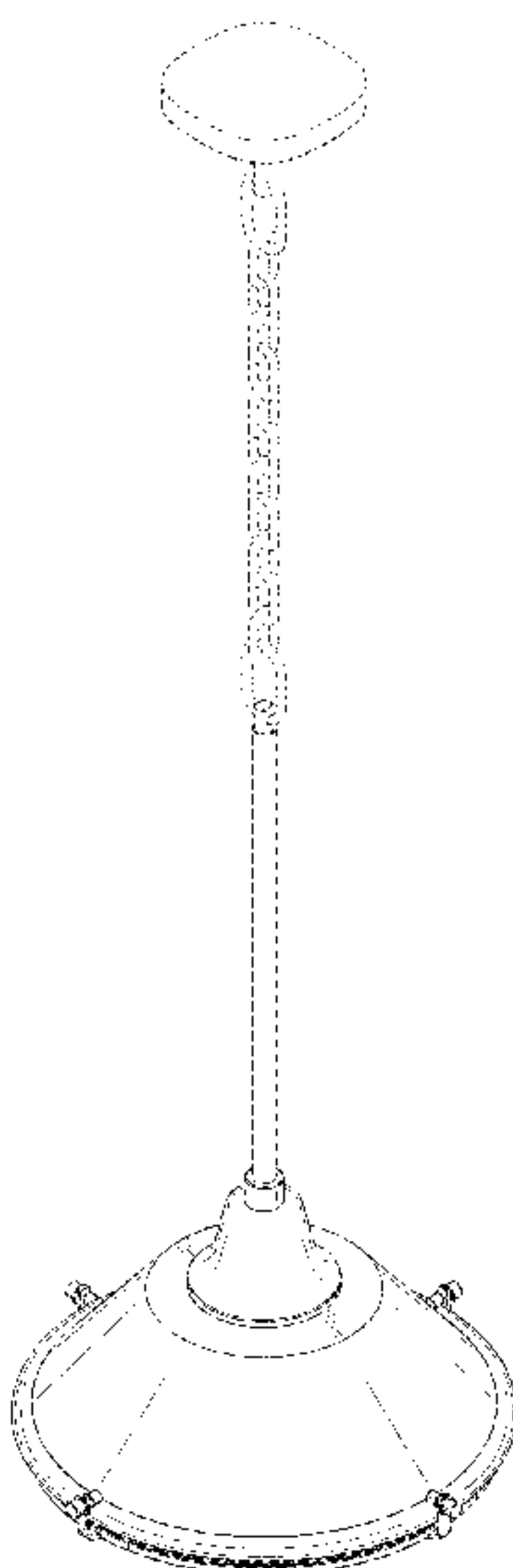
(57) **CLAIM**

We claim the ornamental design for a light fixture, as shown and described.

**DESCRIPTION**

FIG. 1 is a perspective view of the claimed design;  
FIG. 2 is a front view of the claimed design shown in FIG. 1;  
FIG. 3 is a rear view of the claimed design shown in FIG. 1;  
FIG. 4 is a side view of the claimed design shown in FIG. 1;  
FIG. 5 is another side view of the claimed design shown in FIG. 1;  
FIG. 6 is a top view of the claimed design shown in FIG. 1; and,  
FIG. 7 is a bottom view of the claimed design shown in FIG. 1.  
The broken lines shown in FIGS. 1-7 illustrate portions of the light fixture that form no part of the claimed design.

**1 Claim, 6 Drawing Sheets**



(56)

## References Cited

## U.S. PATENT DOCUMENTS

D420,163	S	*	2/2000	Fouke	.....	D26/88
D432,707	S	*	10/2000	Brunner	.....	D26/118
D437,075	S	*	1/2001	Chen	.....	D26/81
D445,526	S	*	7/2001	Wang	.....	D26/76
D450,875	S		11/2001	Yang		
D464,164	S	*	10/2002	Thompson	.....	D26/89
D467,677	S	*	12/2002	Ries	.....	D26/88
D494,702	S	*	8/2004	Parres	.....	D26/88
D514,730	S	*	2/2006	Lo	.....	D26/87
D536,471	S		2/2007	Matons		
D536,472	S		2/2007	Tsai		
D567,988	S	*	4/2008	Lissoni	.....	D26/88
D570,030	S	*	5/2008	Starck	.....	D26/88
D575,901	S	*	8/2008	Ricereto	.....	D26/138
D576,761	S	*	9/2008	Porter	.....	D26/128
D581,087	S	*	11/2008	Sabernig	.....	D26/88
D616,599	S		5/2010	Gilbert et al.		
D627,920	S		11/2010	Hanna et al.		
D702,869	S	*	4/2014	Kondou	.....	D26/88
D728,843	S	*	5/2015	Krogman	.....	D26/88
D749,769	S	*	2/2016	Krogman	.....	D26/88
D770,667	S	*	11/2016	Orozco	.....	D26/88
D775,757	S	*	1/2017	Anastassiades	.....	D26/88
D790,106	S	*	6/2017	Lee	.....	D26/88
D809,180	S	*	1/2018	Oh	.....	D26/88
D816,881	S	*	5/2018	Qiao	.....	D26/86
D821,559	S	*	6/2018	Hidalgo	.....	D26/59
D829,361	S	*	9/2018	Deng	.....	D26/88
D869,734	S	*	12/2019	Babutzka	.....	D26/88
D879,940	S	*	3/2020	Orozco	.....	D26/59
D882,149	S		4/2020	Lin		
D893,795	S	*	8/2020	Amato	.....	D26/118
D913,565	S		3/2021	Yu		
D916,352	S		4/2021	Zeng		
D953,605	S	*	5/2022	Chen	.....	D26/88
2011/0199775	A1		8/2011	Bassani		

## OTHER PUBLICATIONS

Shades of Light, Gooseneck Warehouse Ceiling Light. First available unknown. Searched Mar. 11, 2022. [<https://www.shadesoflight.com/products/gooseneck-warehouse-convertible-ceiling-light>] (Year: 2022).\*

Kichler, Hatteras Bay Pendant. First available unknown. Searched Mar. 11, 2022. [[https://www.lampsplus.com/products/kichler-hatteras-bay-23-and-three-quarter-inch-wide-olde-bronze-pendant\\_6m013.html](https://www.lampsplus.com/products/kichler-hatteras-bay-23-and-three-quarter-inch-wide-olde-bronze-pendant_6m013.html)] (Year: 2022).\*

Rejuvenation, Vintage Holophane Pendant. First available unknown. Searched Mar. 11, 2022. [<https://www.rejuvenation.com/catalog/products/r101934>] (Year: 2022).\*

The Urban Electric Co., Lundy Flushmount. First available unknown. Searched Mar. 11, 2022. [<https://www.urbanelectric.com/lundy-flushmount.html>] (Year: 2022).\*

Hinkley, Nautique Heritage Pendant Light. First available unknown. Searched Jul. 6, 2022. [[https://www.lampsplus.com/products/nautique-13-inch-wide-heritage-brass-and-nickel-pendant-light\\_86m68.html](https://www.lampsplus.com/products/nautique-13-inch-wide-heritage-brass-and-nickel-pendant-light_86m68.html)] (Year: 2022).\*

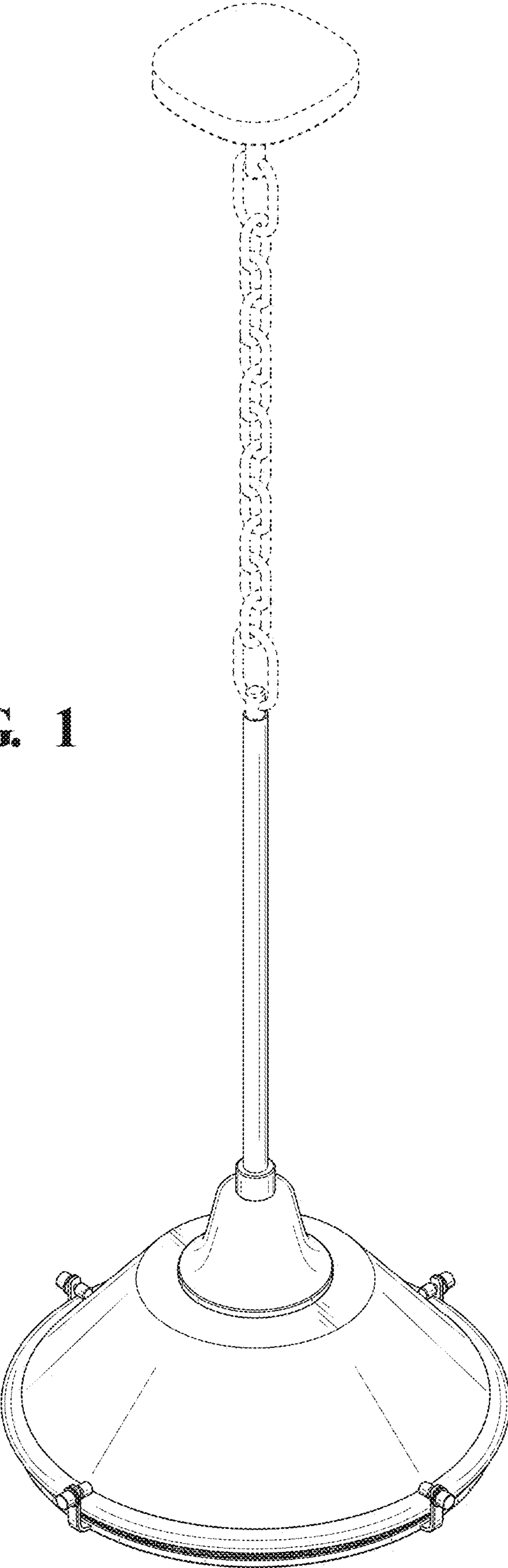
Globe Electric, Jayden Vanity Light. First available unknown. Searched Mar. 10, 2022. [<https://www.homedepot.com/p/Globe-Electric-Jayden-3-Light-Oil-Rubbed-Bronze-Vanity-Light-with-Frosted-Glass-Shades-and-4-Piece-Bath-Set-51227/300374883?ITC=AUC-47390-23-12140>] (Year: 2022).

Shades of Light, Cut Round Flask Bath Light. First available unknown. Searched Mar. 10, 2022. [<https://www.shadesoflight.com/products/cut-round-flask-bath-light-3-light>] (Year: 2022).

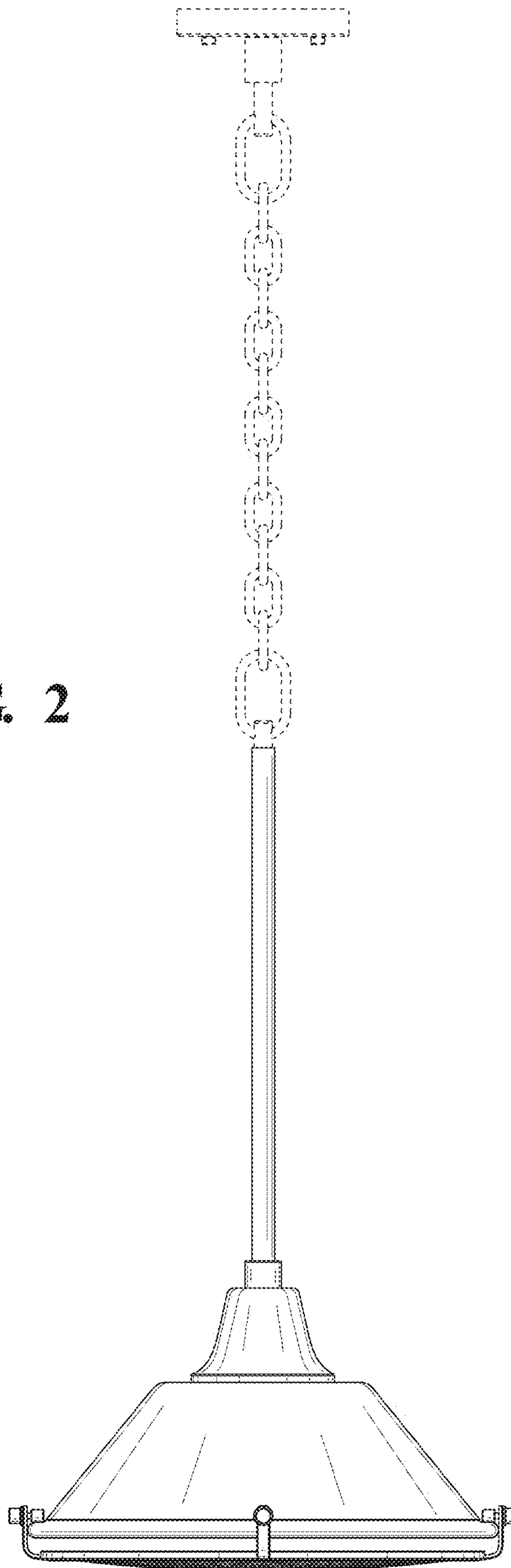
SRJJRS, Vanity Light Fixture. First available Dec. 3, 2021. Searched Mar. 10, 2022. [[https://www.amazon.com/SRJRS-Fixtures-3-Light-Bathroom-Sconces/dp/B09MZ84YCS?ref\\_=ast\\_sto\\_dp&th=1&psc+1](https://www.amazon.com/SRJRS-Fixtures-3-Light-Bathroom-Sconces/dp/B09MZ84YCS?ref_=ast_sto_dp&th=1&psc+1)] (Year: 2021).

\* cited by examiner

**FIG. 1**

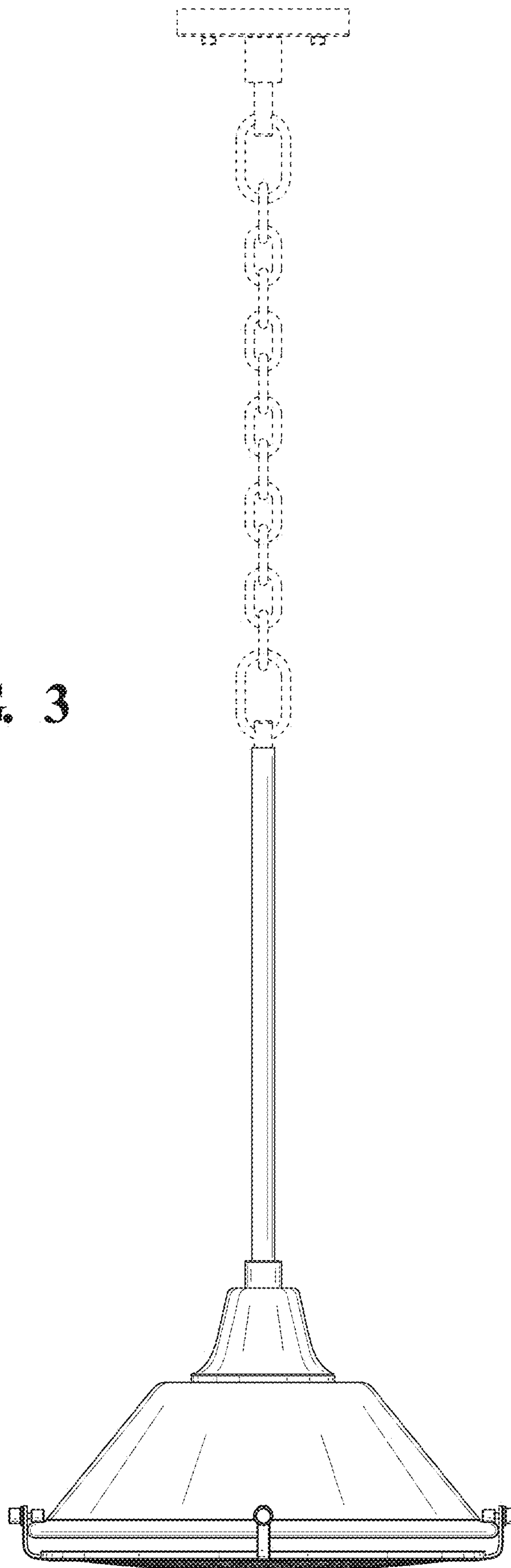


**FIG. 2**

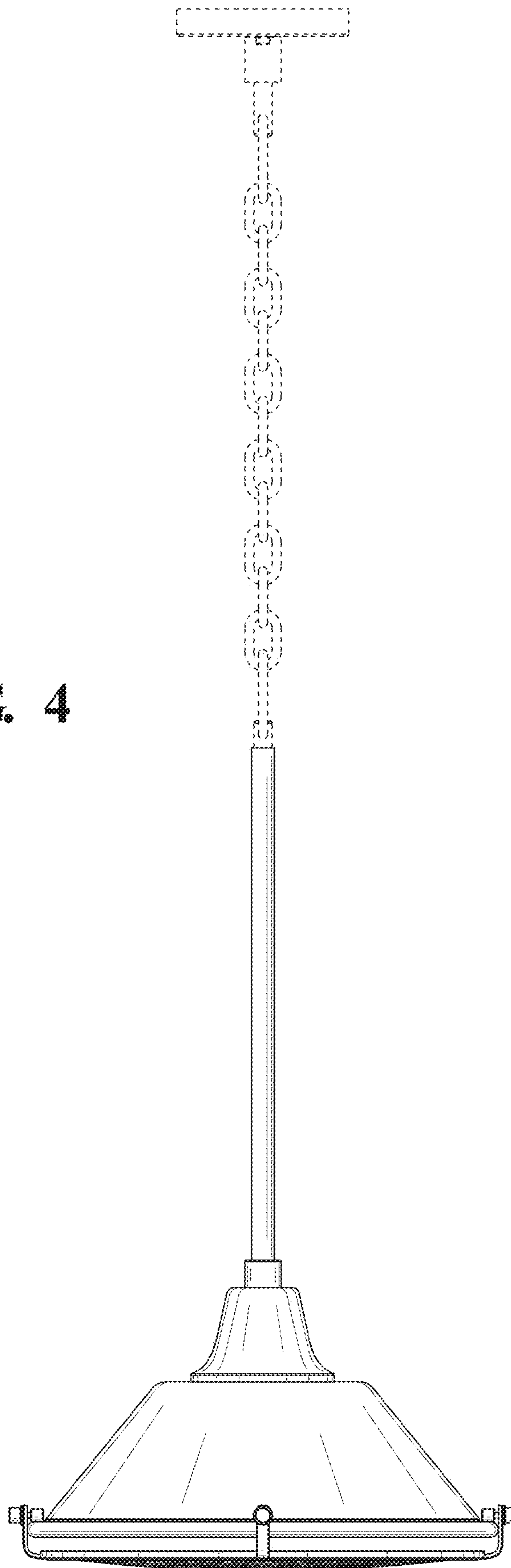




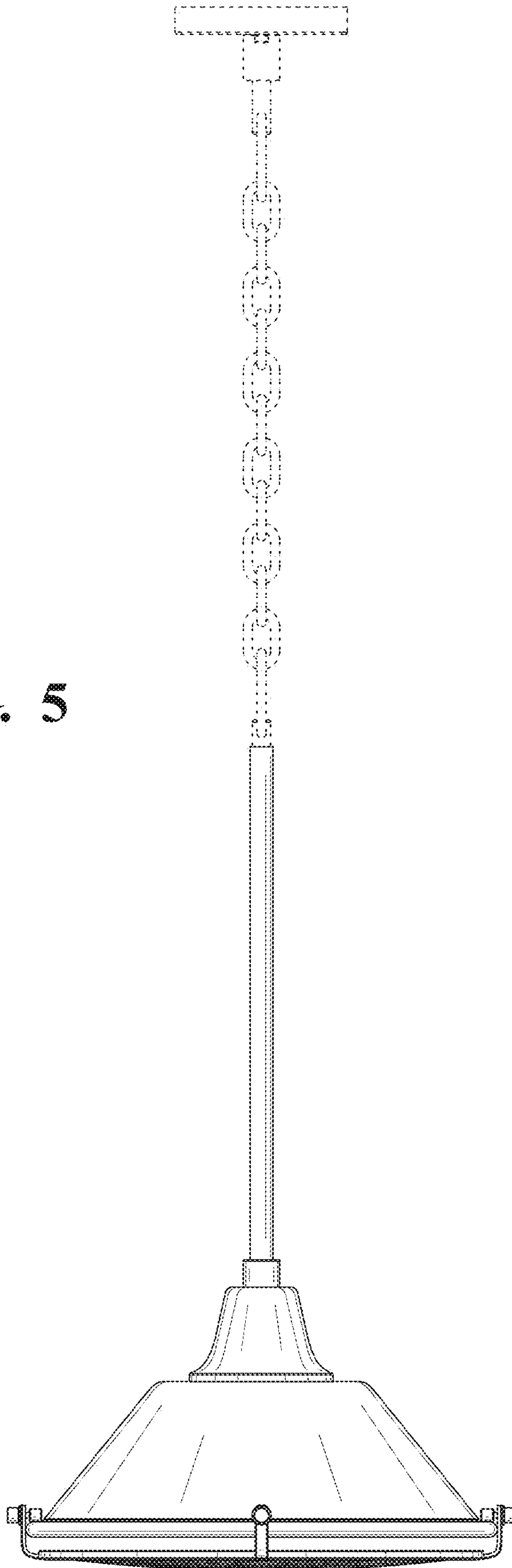
**FIG. 3**

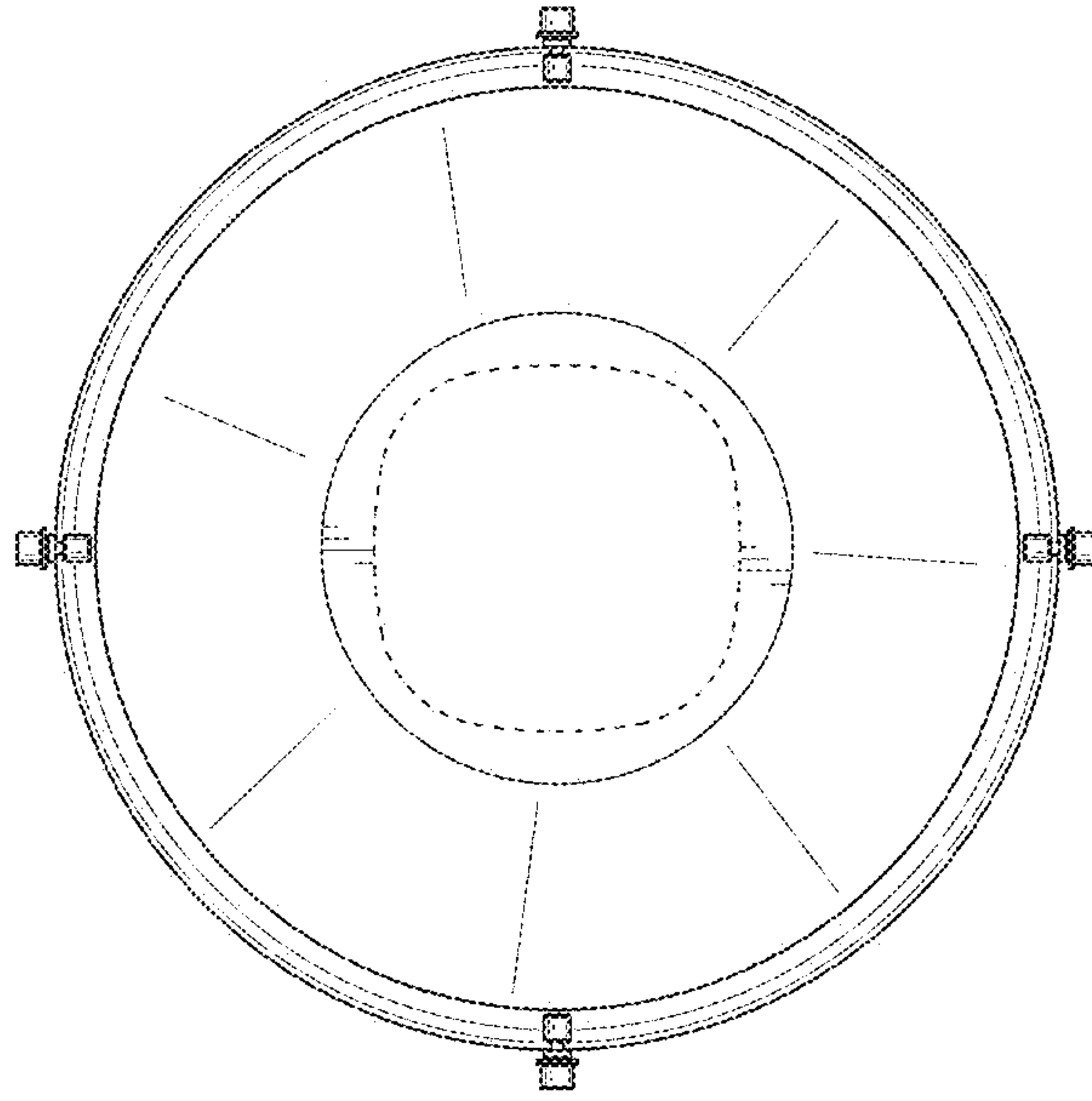


**FIG. 4**

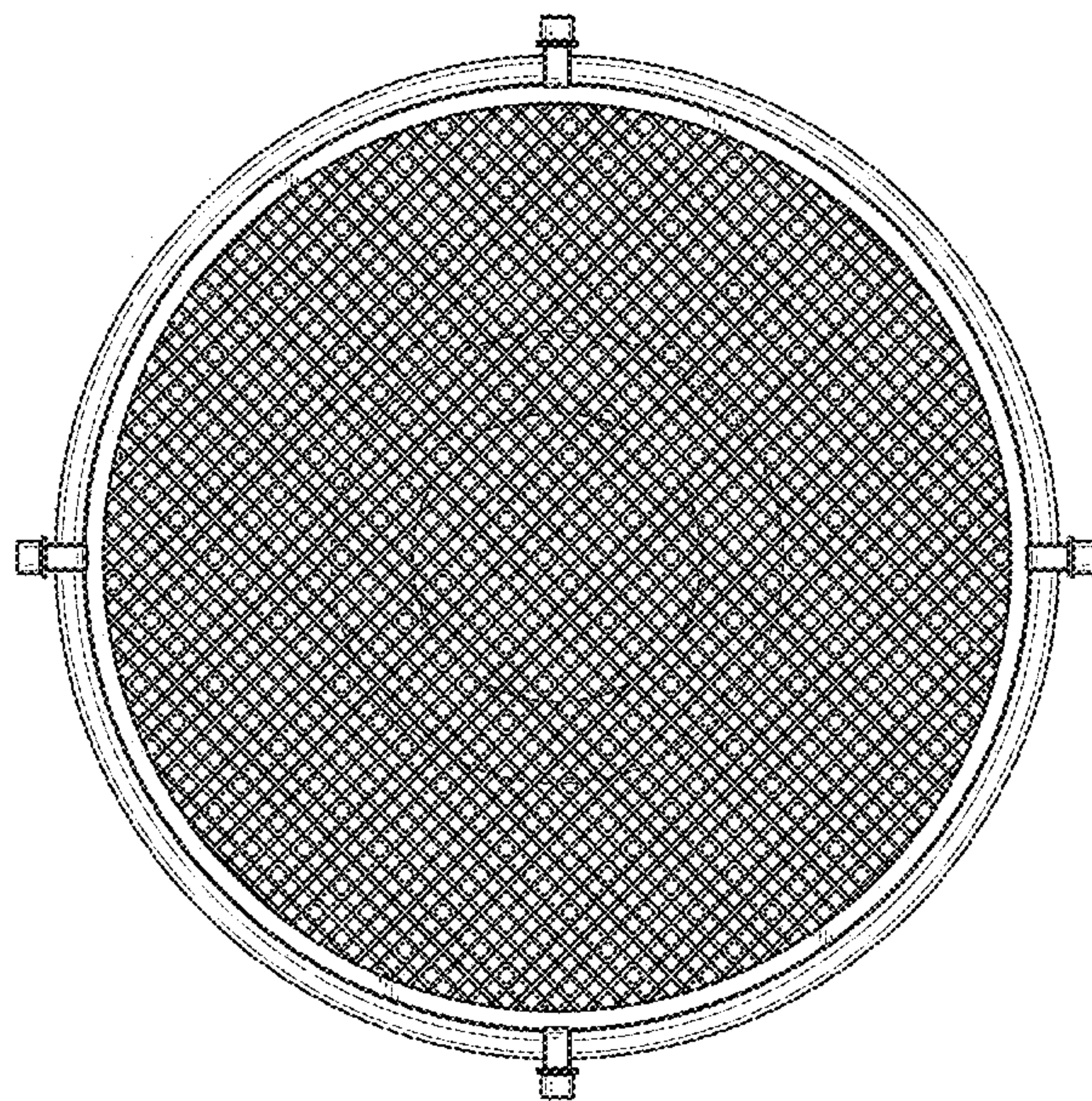


**FIG. 5**





**FIG. 6**



**FIG. 7**