



US00D970084S

(12) **United States Design Patent**  
**Chen**

(10) **Patent No.:** **US D970,084 S**

(45) **Date of Patent:** **\*\* Nov. 15, 2022**

(54) **LAMP**

(71) Applicant: **Weida Chen**, Zhuhai (CN)

(72) Inventor: **Weida Chen**, Zhuhai (CN)

(\*\*) Term: **15 Years**

(21) Appl. No.: **29/786,846**

(22) Filed: **Jun. 3, 2021**

(51) **LOC (13) Cl.** ..... **26-03**

(52) **U.S. Cl.**  
USPC ..... **D26/87**

(58) **Field of Classification Search**  
USPC ..... D26/63, 72, 80, 84-88, 92, 118, 128  
CPC .. F21S 8/033; F21S 8/035; F21S 8/036; F21S  
8/046

See application file for complete search history.

(56) **References Cited**

U.S. PATENT DOCUMENTS

D439,359 S *	3/2001	Feng	.....	D26/85
D552,469 S	10/2007	Harmon		
D682,460 S *	5/2013	Wanders	.....	D26/88
D712,571 S	9/2014	Zetsche		
D783,882 S *	4/2017	Dolan	.....	D26/87
D824,582 S *	7/2018	Luo	.....	D26/118
D845,534 S *	4/2019	Van Duysen	.....	D26/87
D887,617 S *	6/2020	Wang	.....	D26/86
D921,254 S	6/2021	Preutz		
D922,657 S *	6/2021	Zheng	.....	D26/86
D939,129 S *	12/2021	Mei	.....	D26/86
2013/0077295 A1 *	3/2013	Hayashi	.....	F21V 7/04 362/217.05

OTHER PUBLICATIONS

Quoizel Zuri 21 1/2"W Polished Chrome 3-Light LED Bath Light, Style # 96E28 available from lampsplus.com as early as Jun. 14, 2021. (Year: 2021).\*

Glorietta 23" Wide Chrome 3-Light LED Bath Light, Style # 47N72 available from lampsplus.com as early as Aug. 19, 2020. (Year: 2020).\*

Kuzco Lighting VL54210-VB Basin—10.38 Inch 10W2 LED Bath Vanity Light. ASIN: B072Z1ZCP8. Available from amazon.com Jan. 3, 2018. (Year: 2018).\*

BRKNIT 3-Light Crystal Bathroom Vanity Light, ASIN: B096FG8JK3. Available from amazon.com Jun. 2, 2021. (Year: 2021).\*

\* cited by examiner

*Primary Examiner* — Clare E Heflin

(57) **CLAIM**

The ornamental design for a lamp, as shown and described.

**DESCRIPTION**

FIG. 1 is a first perspective view of a lamp showing my new design;

FIG. 2 is a second perspective view thereof;

FIG. 3 is a top view thereof;

FIG. 4 is a bottom view thereof;

FIG. 5 is a left side view thereof;

FIG. 6 is a right side view thereof;

FIG. 7 is a front view thereof;

FIG. 8 is a rear view thereof;

FIG. 9 is an enlarged view of the selected portion in FIG. 1;

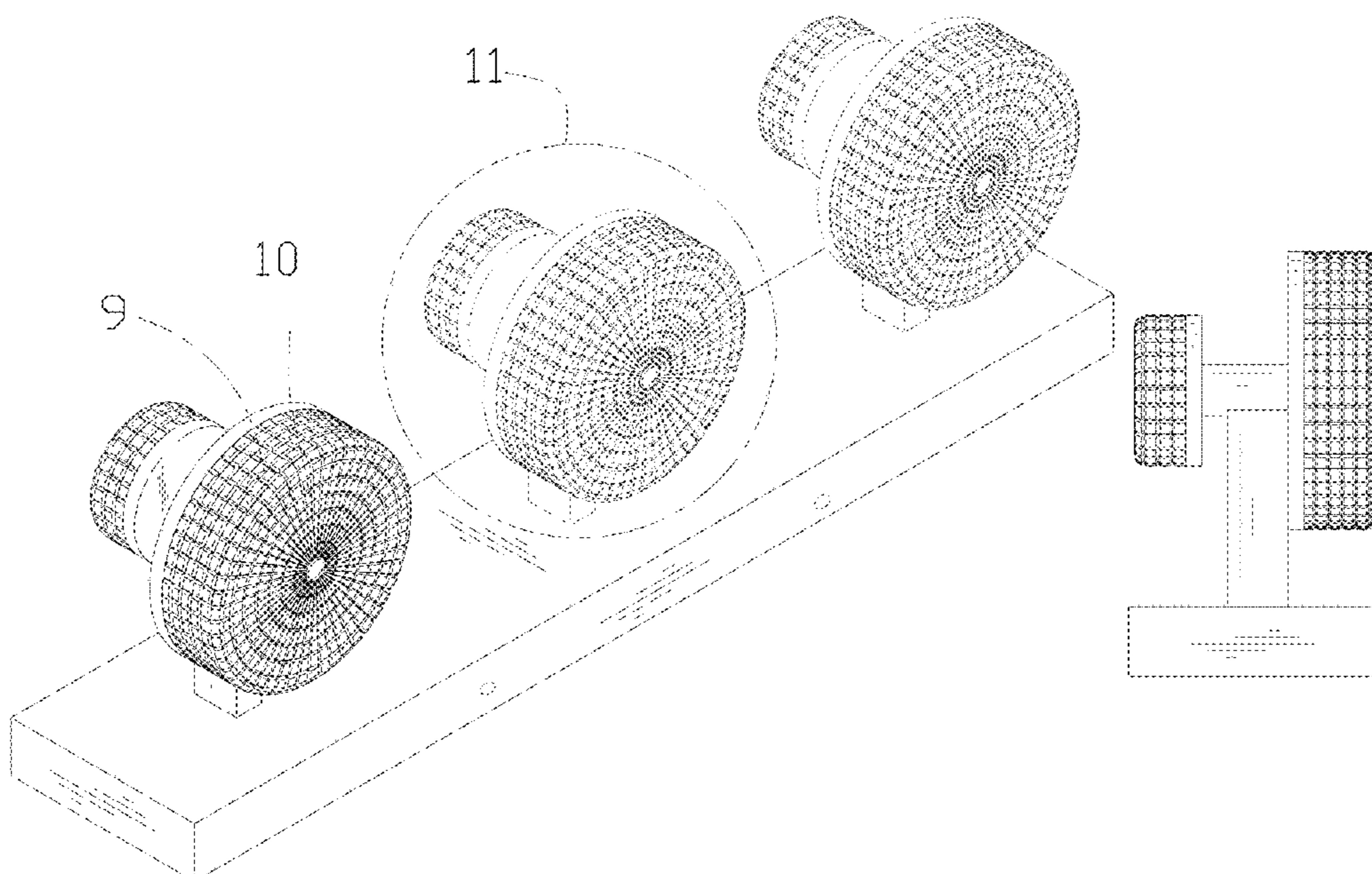
FIG. 10 is an enlarged view of the selected portion in FIG. 1;

and,

FIG. 11 is an enlarged view of the selected portion in FIG. 1.

The broken lines shown in the drawings depict portions of the lamp in which the design is embodied that form no part of the claimed design.

**1 Claim, 11 Drawing Sheets**



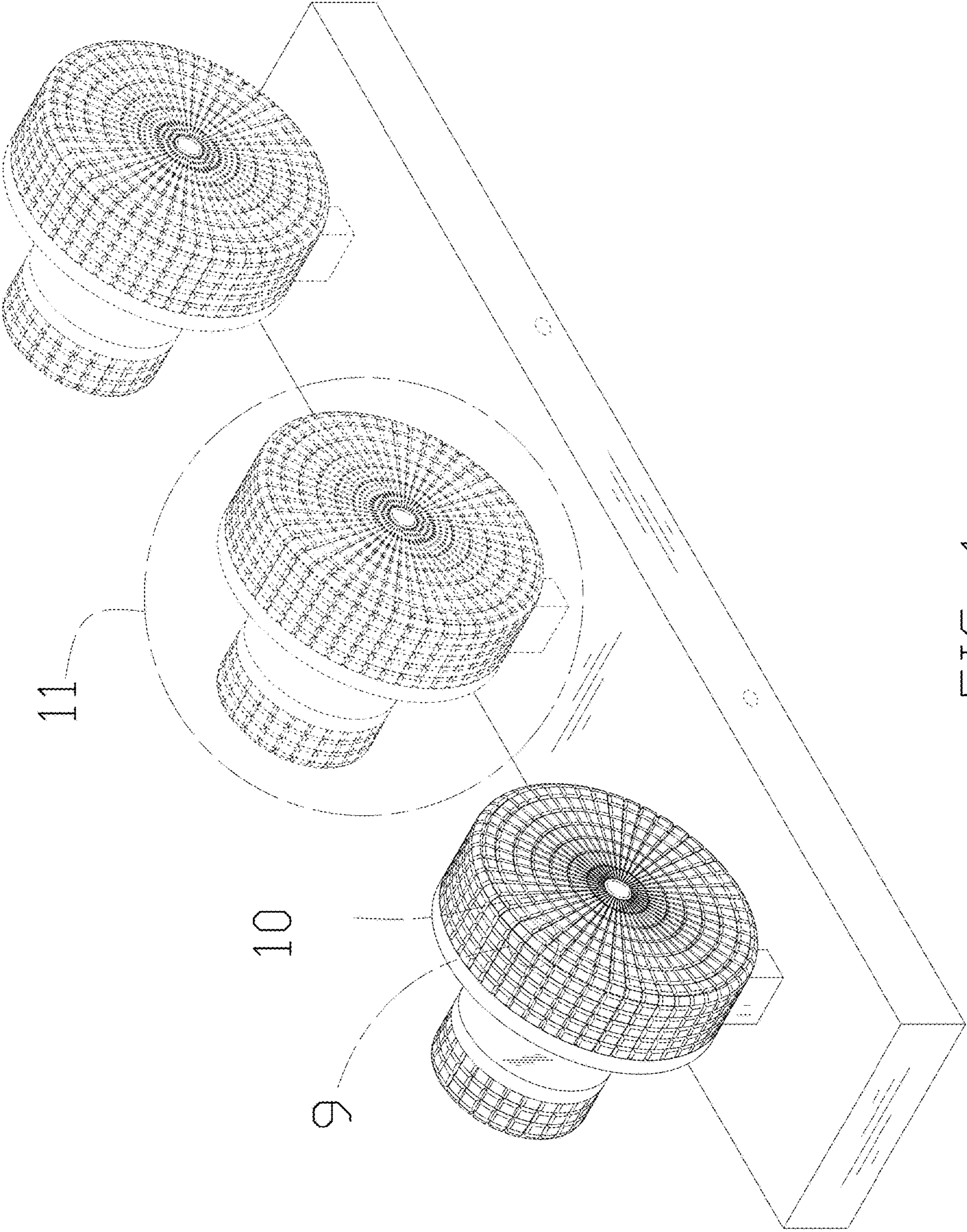


FIG. 1

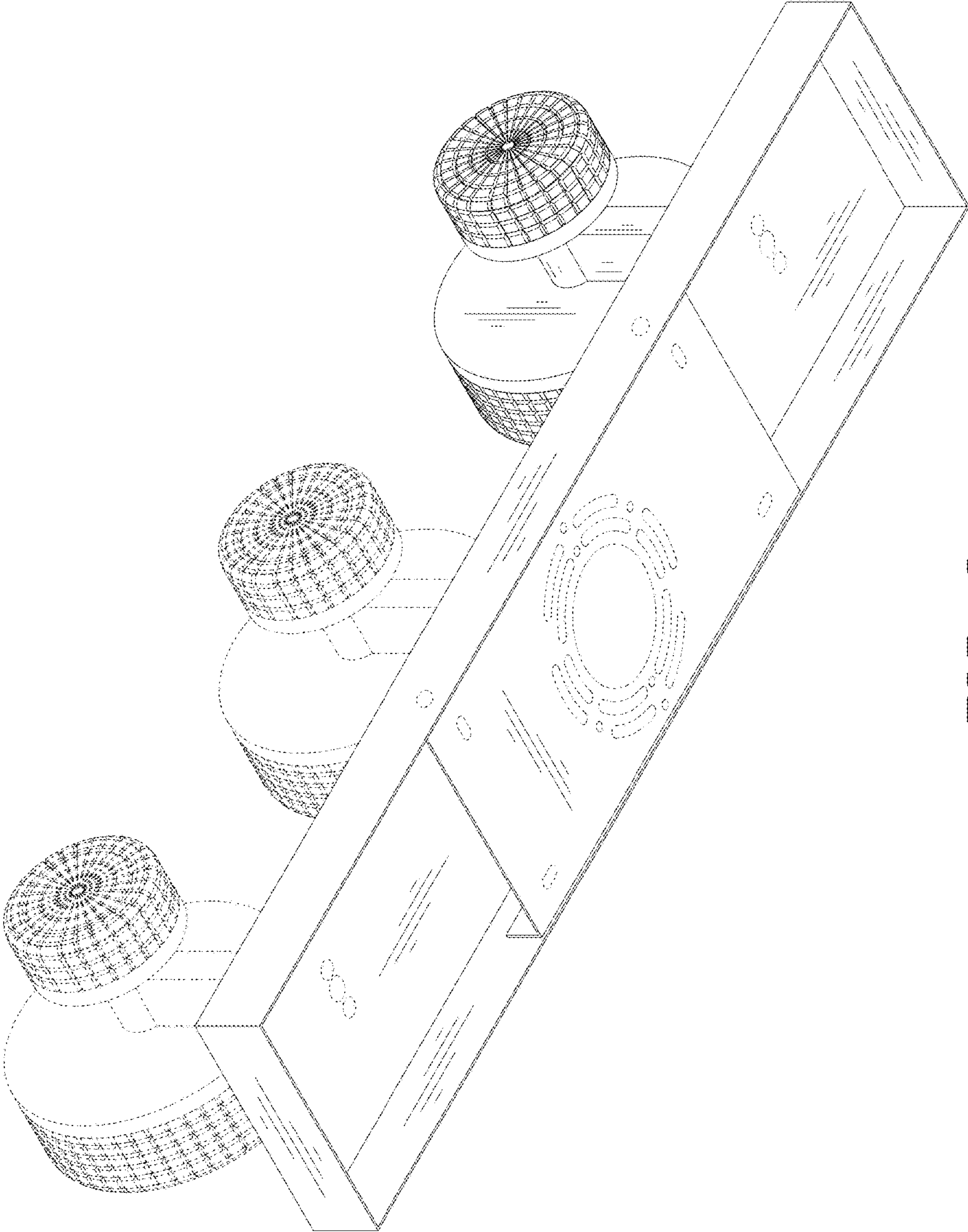


FIG. 2

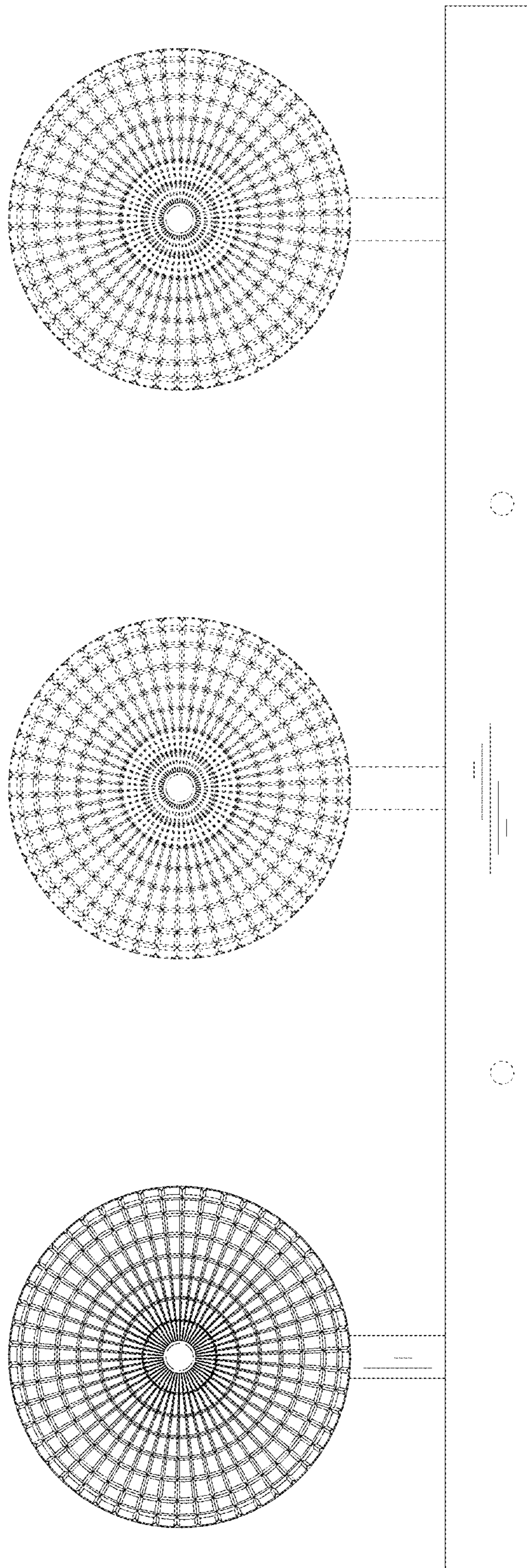


FIG. 3

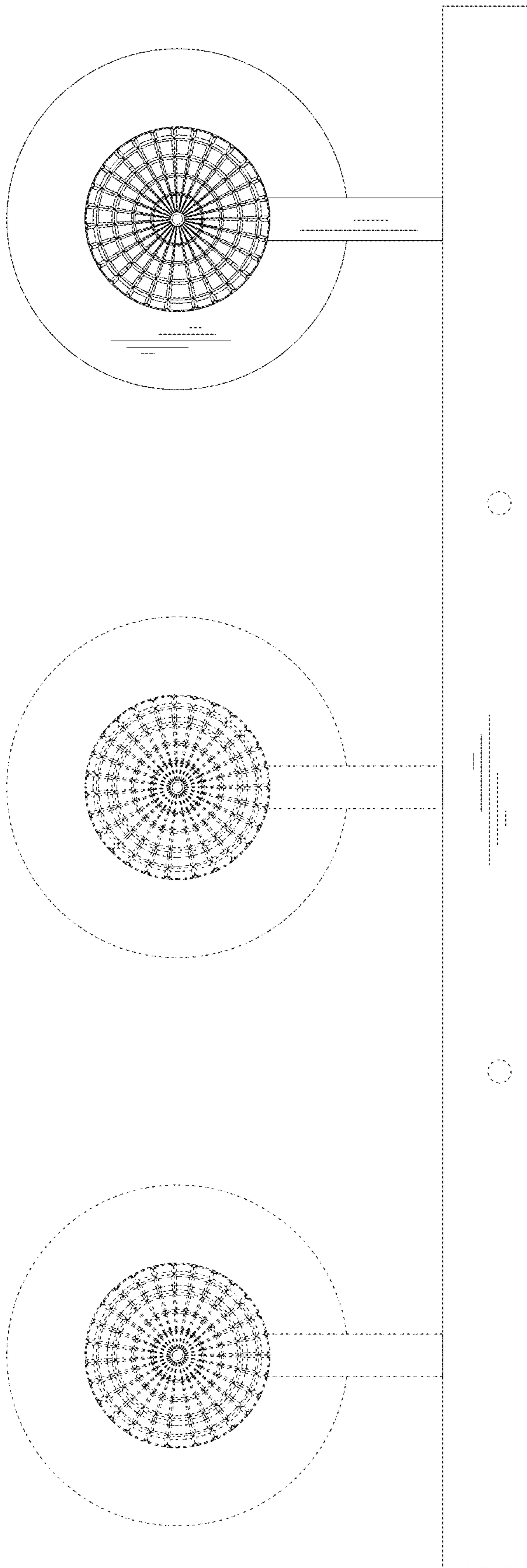


FIG. 4

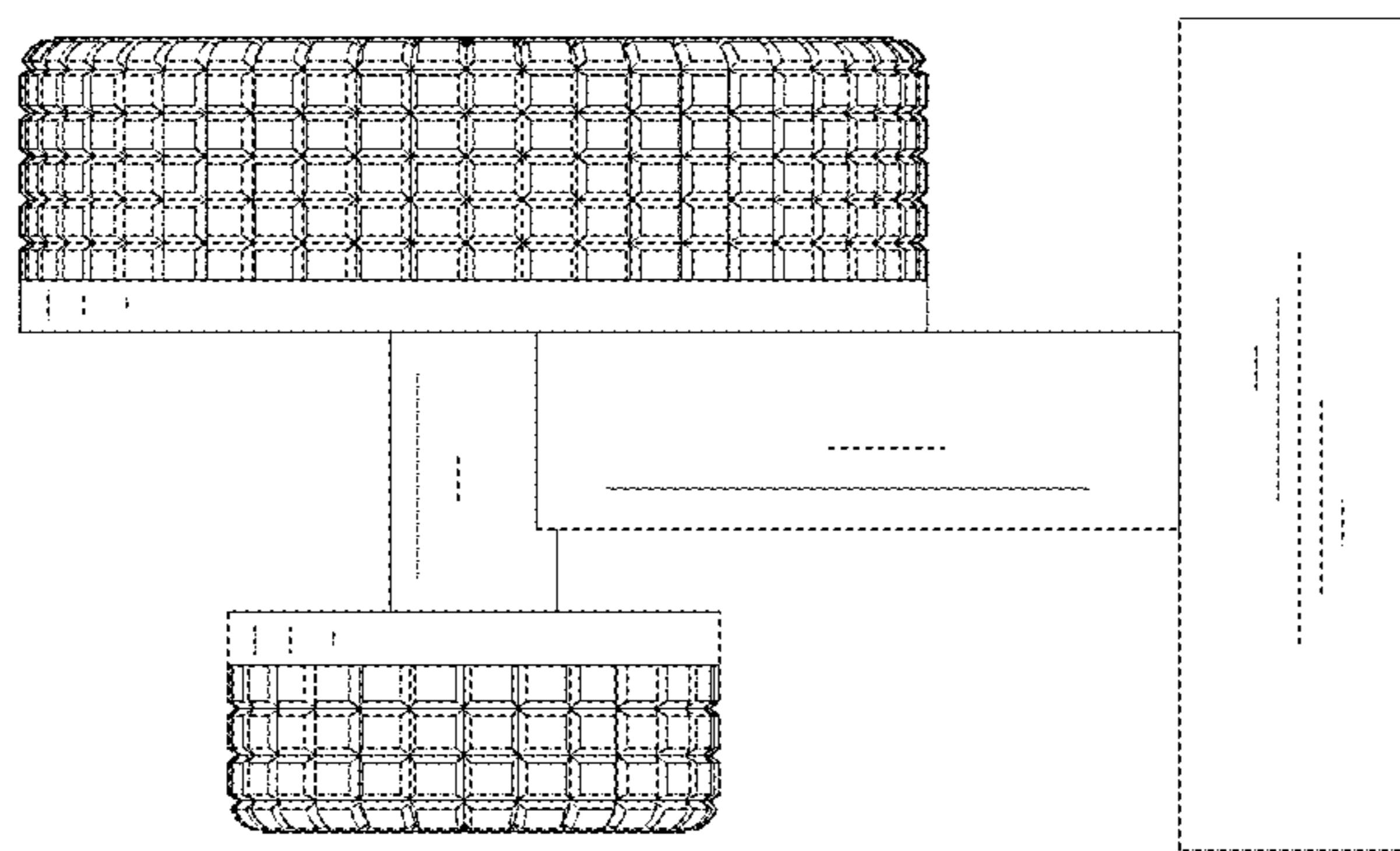


FIG. 5

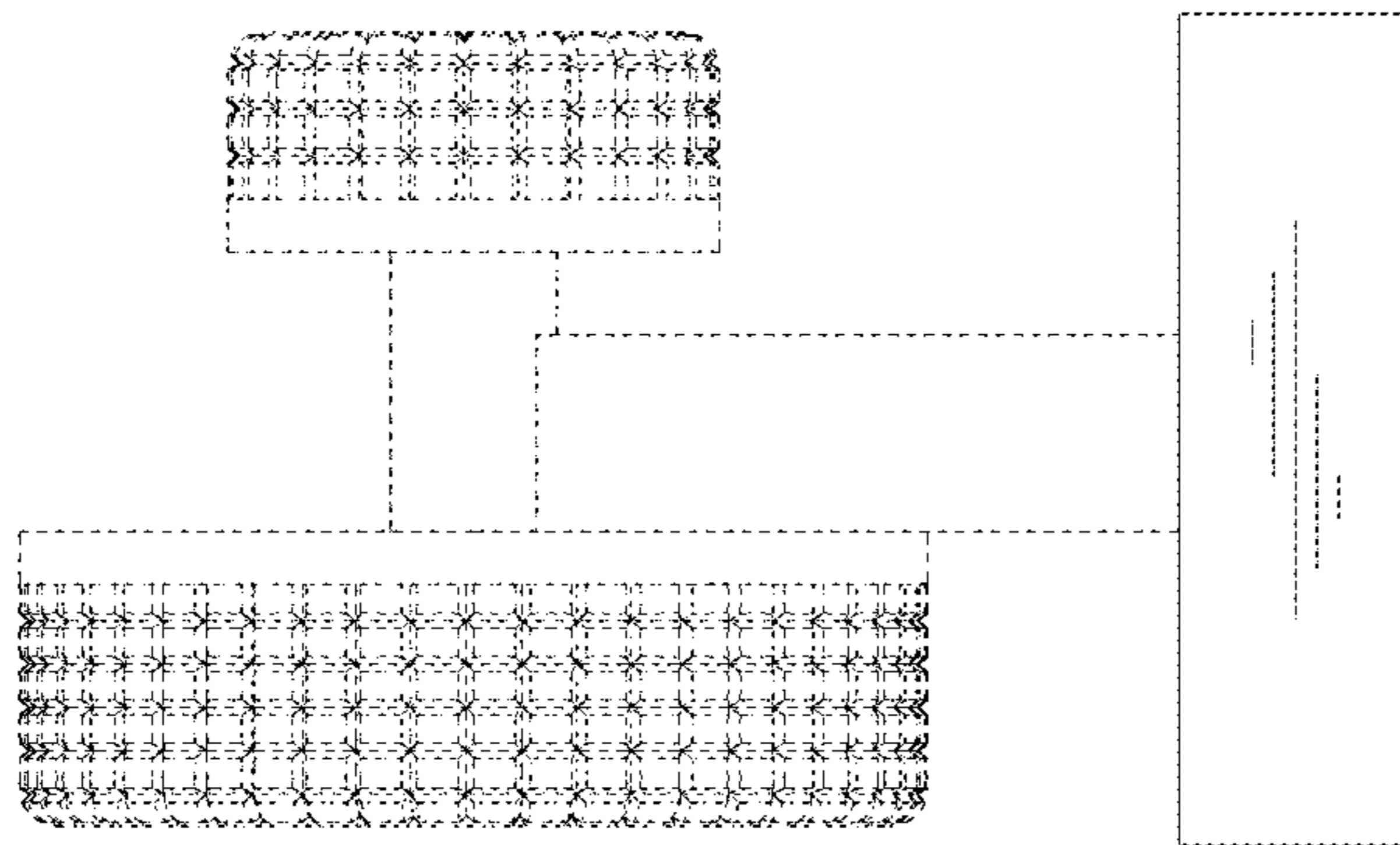


FIG. 6

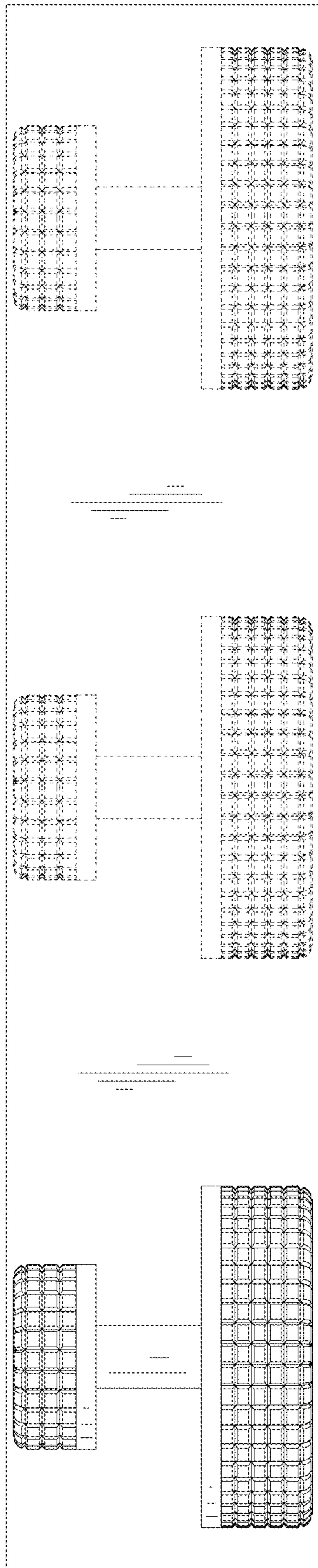


FIG. 7



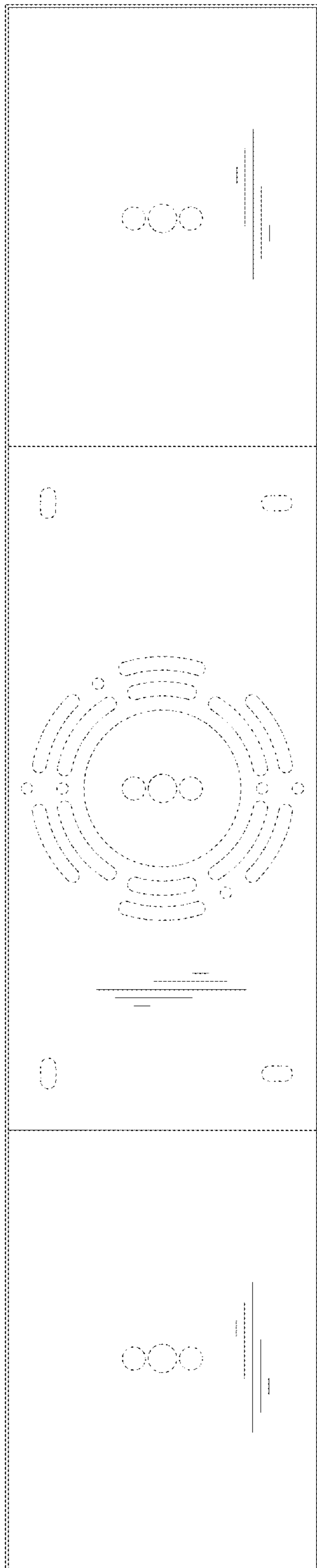


FIG. 8

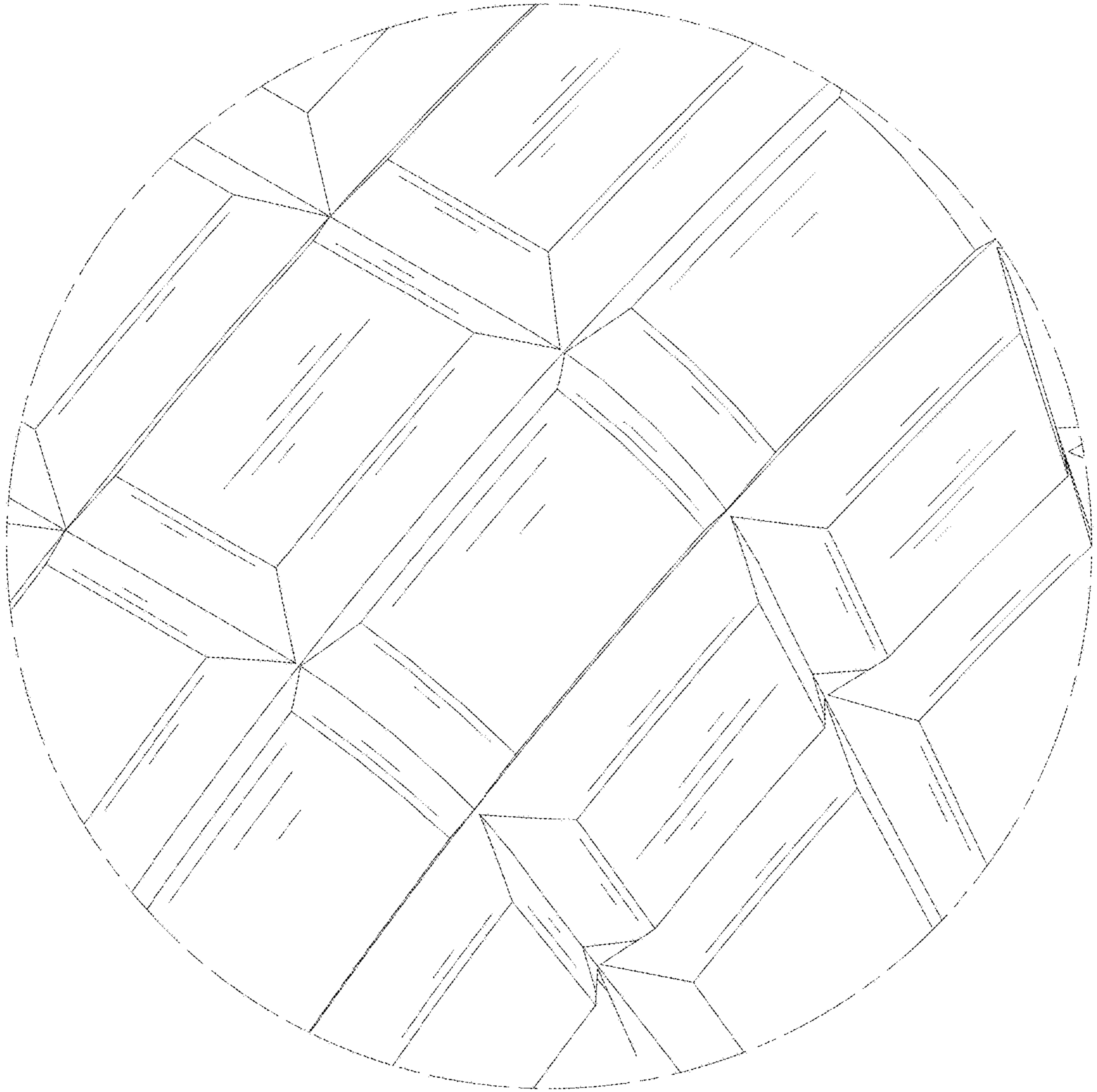


FIG. 9

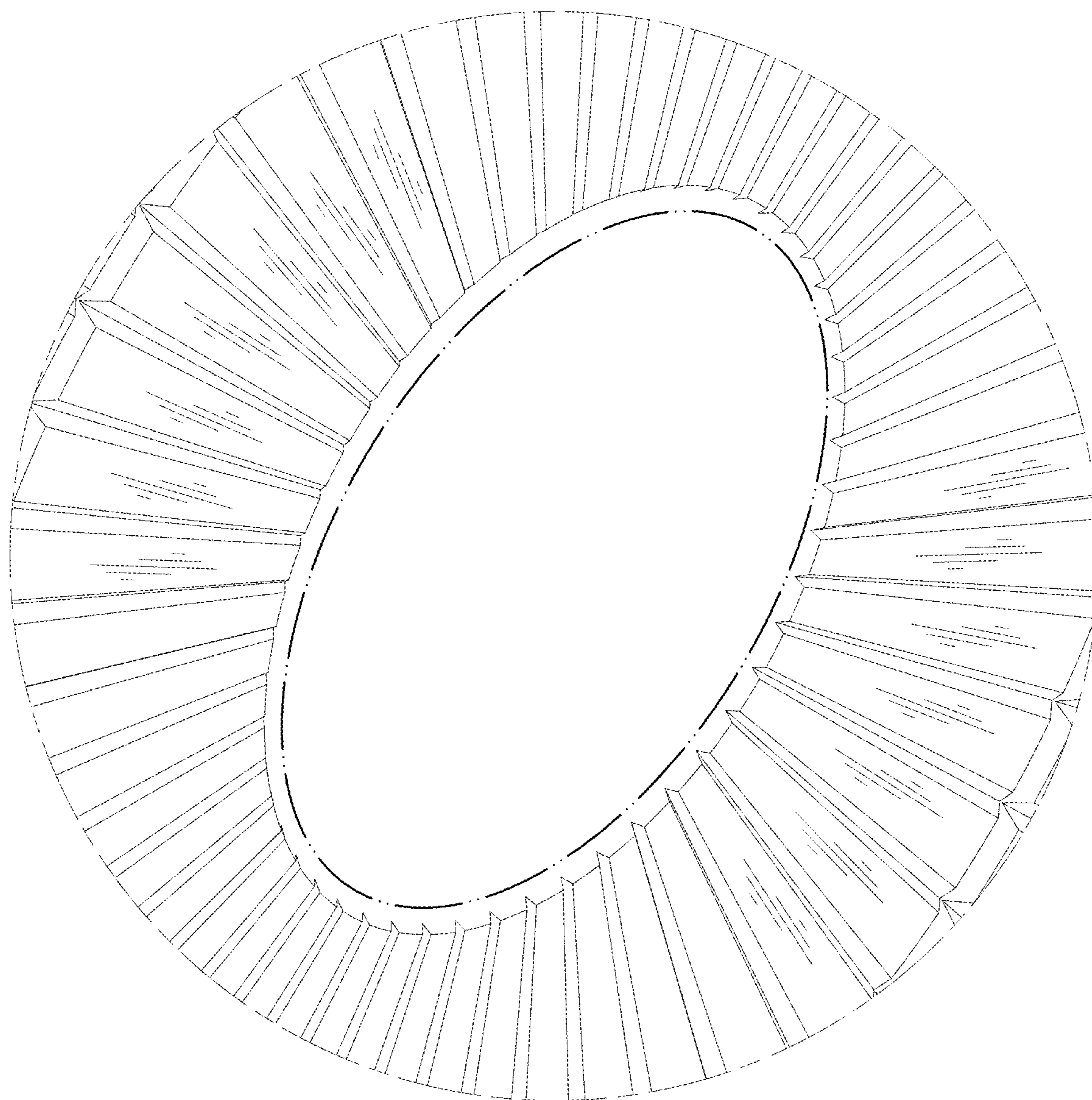


FIG. 10

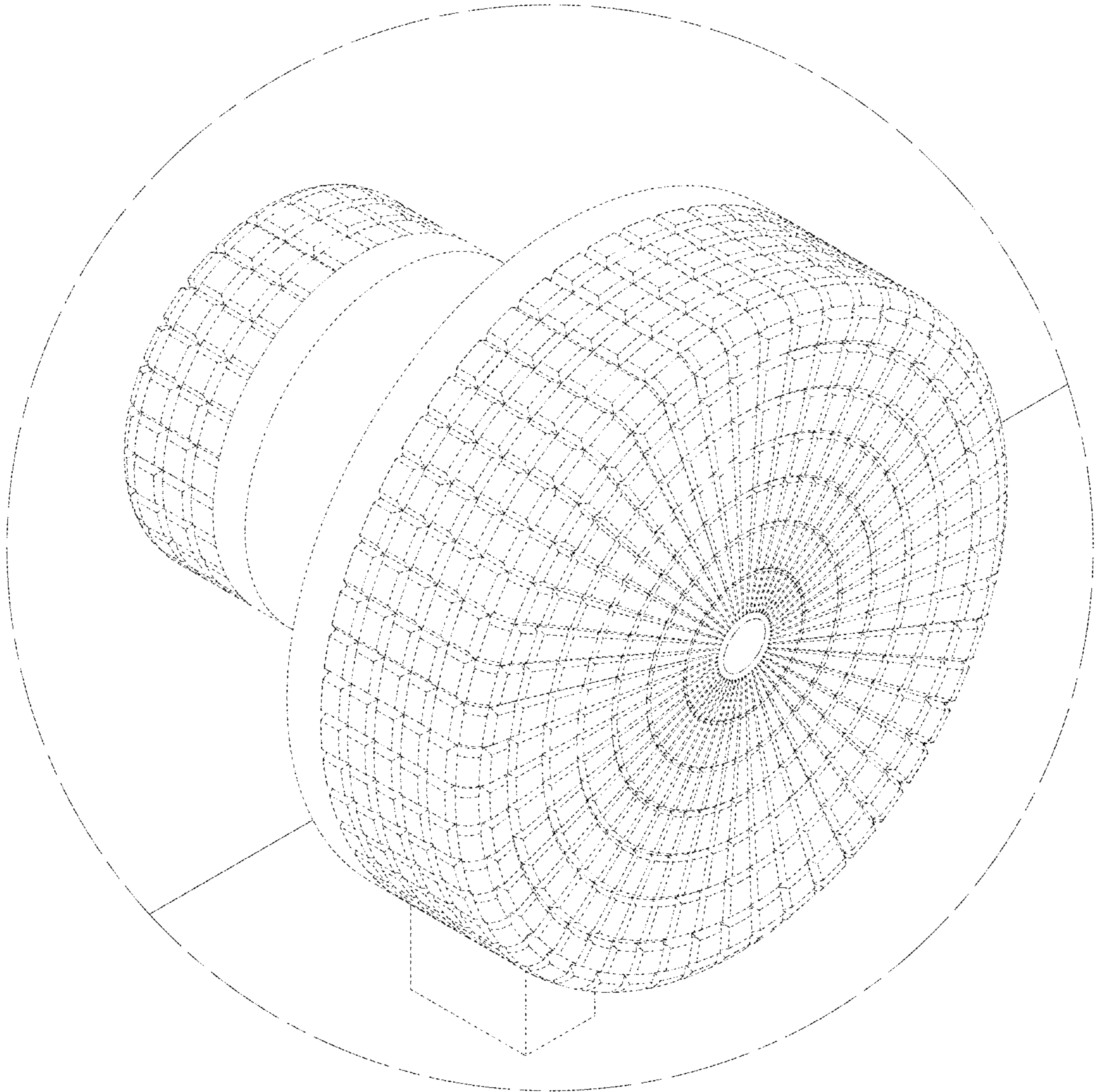


FIG. 11