



US00D970083S

(12) **United States Design Patent** (10) **Patent No.:** **US D970,083 S**  
**Richardson et al.** (45) **Date of Patent:** **\*\* Nov. 15, 2022**

(54) **LIGHT**

- (71) Applicant: **RBW STUDIO, LLC**, Brooklyn, NY (US)
- (72) Inventors: **Theodore Richardson**, Brooklyn, NY (US); **Charles Brill**, Brooklyn, NY (US); **Alexander Williams**, Brooklyn, NY (US); **Gray Davis**, New York, NY (US); **William Meyer**, New York, NY (US)
- (73) Assignee: **RBW STUDIO, LLC**, Brooklyn, NY (US)

(\*\*) Term: **15 Years**

(21) Appl. No.: **29/701,764**

(22) Filed: **Aug. 14, 2019**

**Related U.S. Application Data**

- (63) Continuation of application No. 29/603,814, filed on May 12, 2017, now Pat. No. Des. 861,955.
- (51) **LOC (13) Cl.** ..... **26-03**
- (52) **U.S. Cl.**  
USPC ..... **D26/85; D26/88**
- (58) **Field of Classification Search**  
USPC ..... D26/72, 85, 88, 89, 118  
CPC ..... F21S 8/03; F21S 8/04; F21S 8/043; F21S 8/046; F21S 8/068  
See application file for complete search history.

(56) **References Cited**

**U.S. PATENT DOCUMENTS**

D37,825 S *	2/1906	Mygatt	.....	D26/88
D46,964 S	2/1915	Pickhardt		
D47,589 S	7/1915	Guth et al.		
D48,358 S	1/1916	Adam		
D48,492 S	2/1916	Herskovitz		

(Continued)

**OTHER PUBLICATIONS**

RA24 Pendant Lamp by Piet Hein for Lyfa in Denmark, produced as early as Dec. 31, 1970. Found at pamoto.eu, visited Mar. 14, 2022. (Year: 1970).\*

(Continued)

*Primary Examiner* — Clare E Heflin

(74) *Attorney, Agent, or Firm* — Saidman DesignLaw Group, LLC

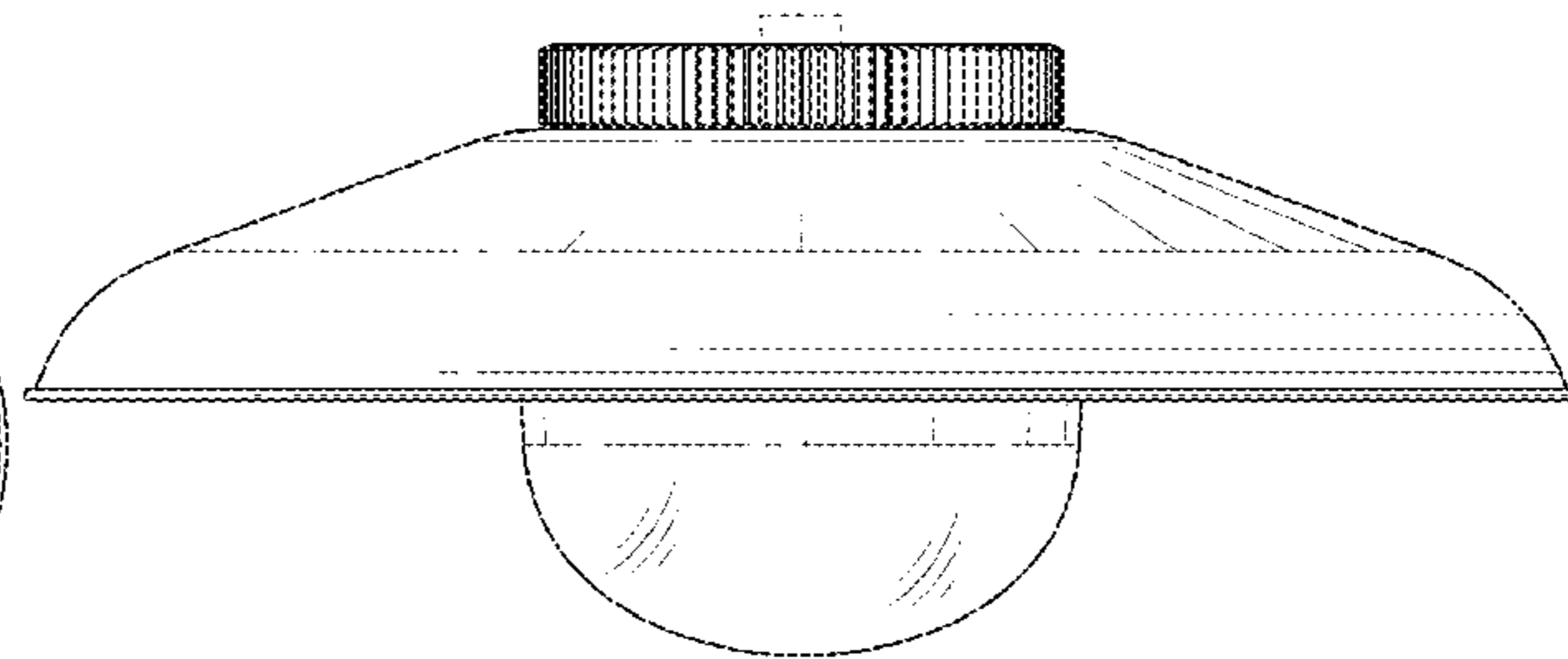
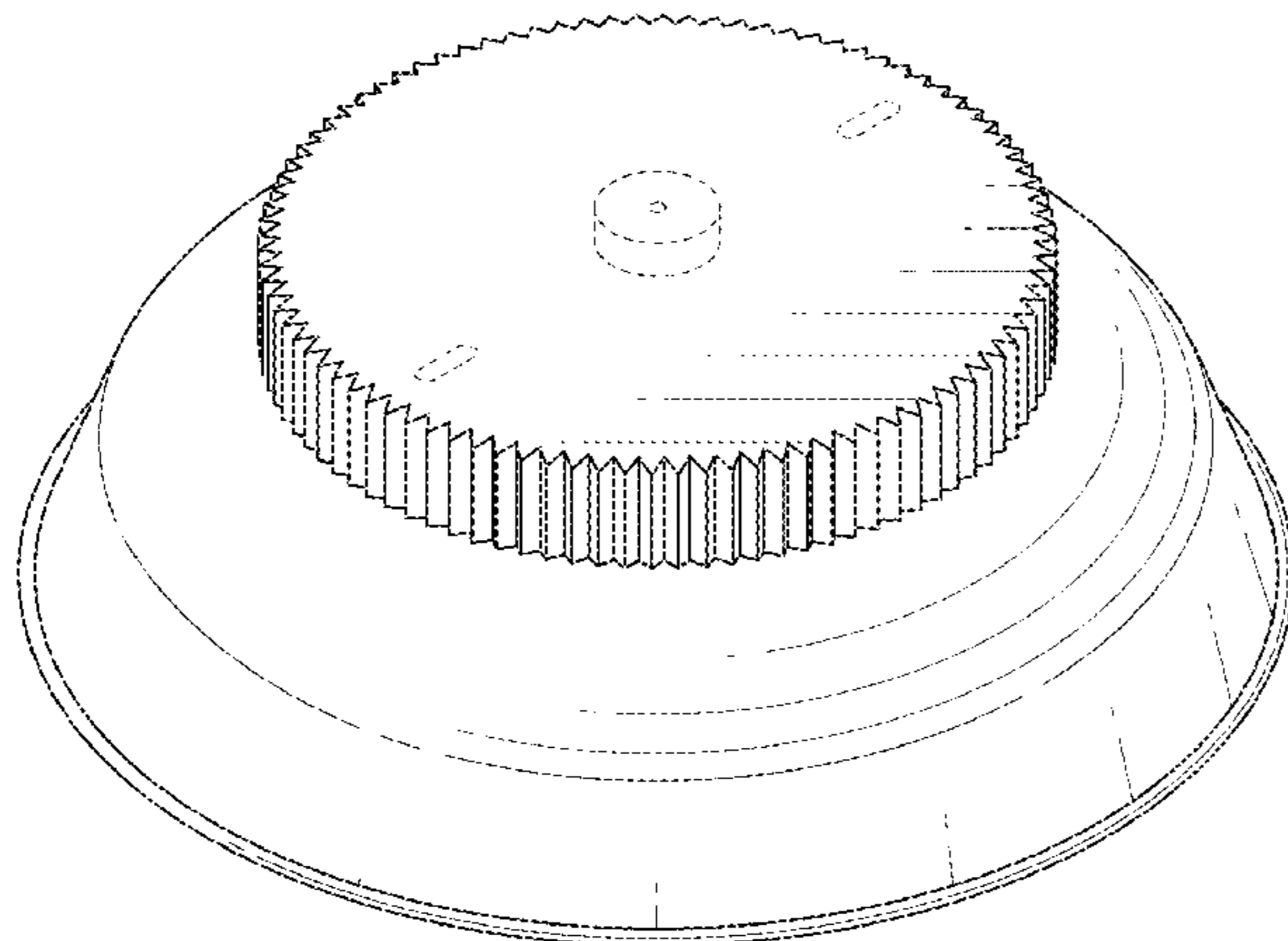
(57) **CLAIM**

The ornamental design for a light, as shown and described.

**DESCRIPTION**

FIG. 1 is a perspective view of a light showing our new design;  
 FIG. 2 is another perspective view thereof;  
 FIG. 3 is a front elevational view thereof;  
 FIG. 4 is a rear elevational view thereof;  
 FIG. 5 is a left side elevational view thereof, the right, top, and bottom side views being identical thereof;  
 FIG. 6 is a perspective view of a second embodiment thereof;  
 FIG. 7 is another perspective view thereof;  
 FIG. 8 is a front elevational view thereof;  
 FIG. 9 is a rear elevational view thereof;  
 FIG. 10 is a left side elevational view thereof, the right, top, and bottom side views being identical thereof;  
 FIG. 11 is a perspective view of a third embodiment thereof;  
 FIG. 12 is another perspective view thereof;  
 FIG. 13 is a front elevational view thereof;  
 FIG. 14 is a rear elevational view thereof; and,  
 FIG. 15 is a left side elevational view thereof, the right, top, and bottom side views being identical thereof.  
 The broken lines depict portions of the light that form no part of the claimed design.

**1 Claim, 15 Drawing Sheets**



(56)

**References Cited**

U.S. PATENT DOCUMENTS

D48,607	S	2/1916	Retherford	
D51,971	S *	4/1918	Murphy .....	D26/88
D60,308	S *	2/1922	Blackwell .....	D26/88
D119,203	S *	2/1940	Krueger .....	D26/88
D271,428	S	11/1983	de Vos et al.	
D307,642	S	5/1990	DiCola	
D330,947	S	11/1992	Donato et al.	
D343,471	S	1/1994	Belisle et al.	
D426,664	S *	6/2000	Ewing .....	D26/85
D588,298	S	3/2009	Sabernig	
D588,299	S	3/2009	Sabernig	
D592,792	S	5/2009	Keller	
D615,693	S	5/2010	Thun	
D716,992	S	11/2014	Kitts	
D759,284	S	6/2016	De Bevilacqua et al.	
D810,347	S	2/2018	Lee et al.	
D820,503	S *	6/2018	Decq .....	F21S 8/03 D26/88
D858,836	S *	9/2019	McRoberts .....	D26/59
D861,955	S *	10/2019	Richardson .....	D26/88
D895,191	S *	9/2020	Tang .....	D26/88
D897,591	S *	9/2020	Chen .....	D26/118
2017/0016599	A1 *	1/2017	Wang .....	F21S 9/03
2019/0162387	A1 *	5/2019	Im .....	F21V 3/06
2019/0162395	A1 *	5/2019	Im .....	F21S 8/04

OTHER PUBLICATIONS

Sebastian Herkner Collar Pendant in Taupe for Gubi, available from 1stdibs.com, visited Mar. 14, 2022. (Year: 2022).\*

Disc Orb Pendant by In Common With, Item No. ICW1049387 from lightology.com, visited Mar. 14, 2022. (Year: 2022).\*

\* cited by examiner

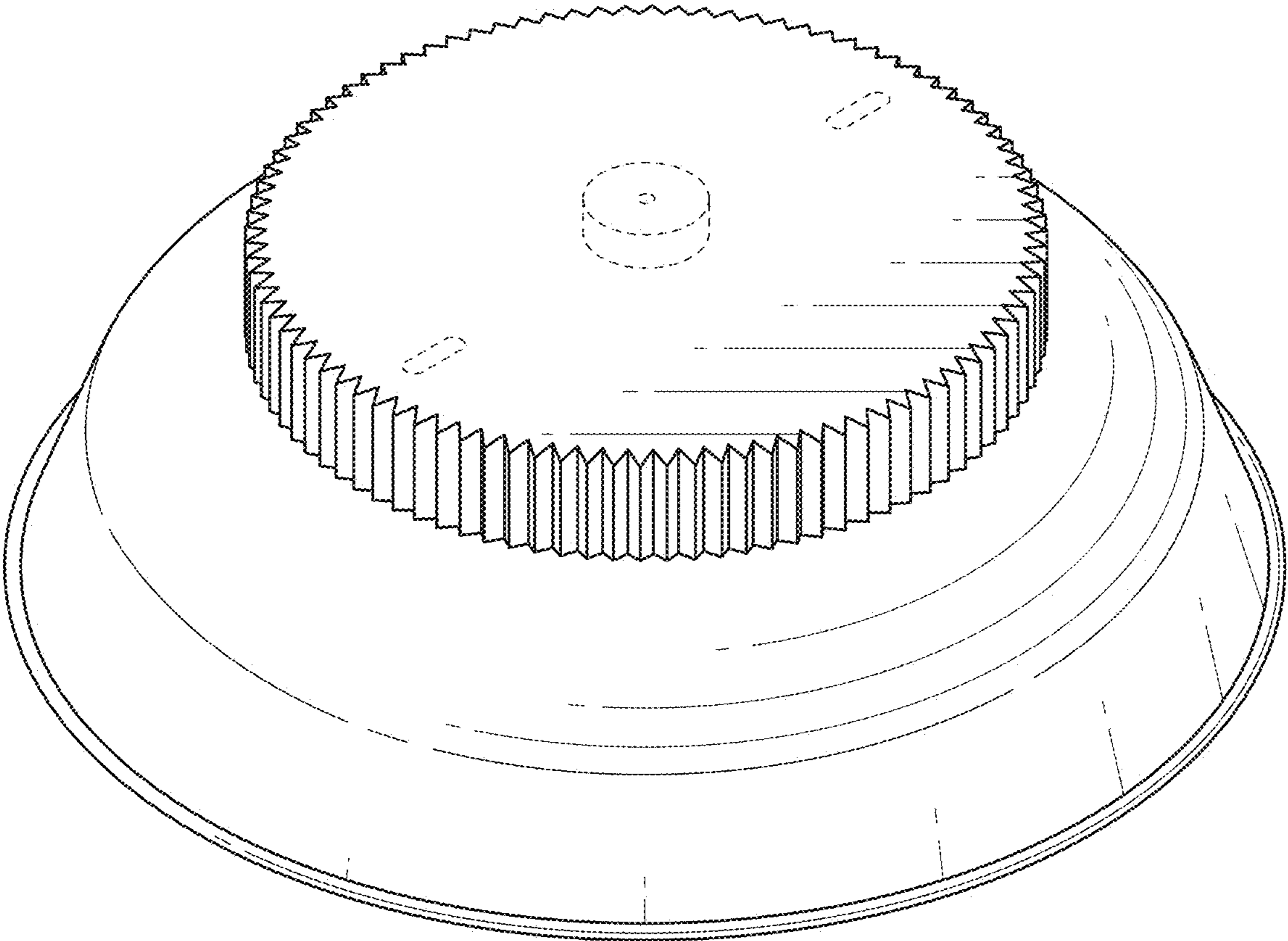


FIG. 1

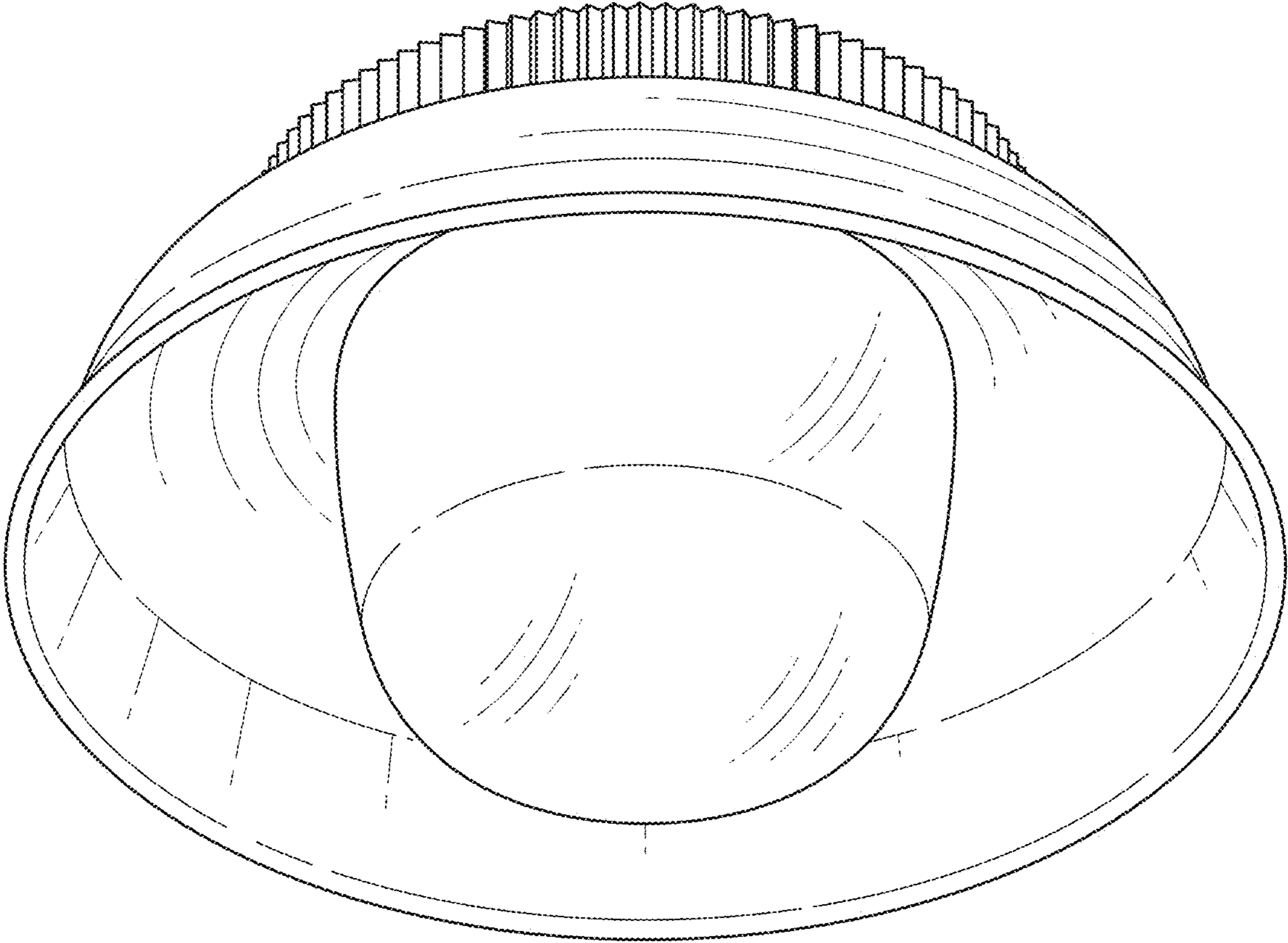


FIG. 2

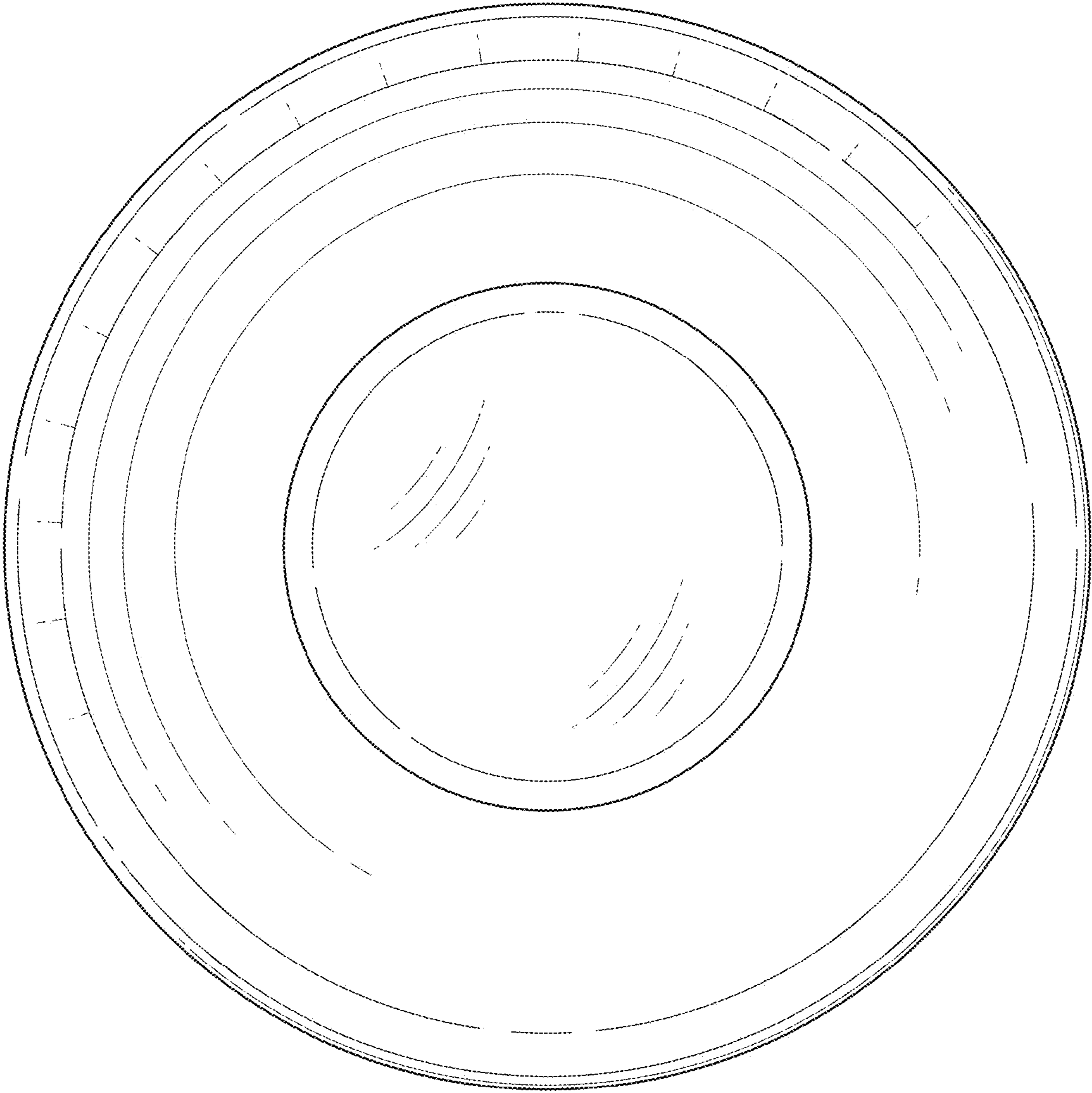


FIG. 3

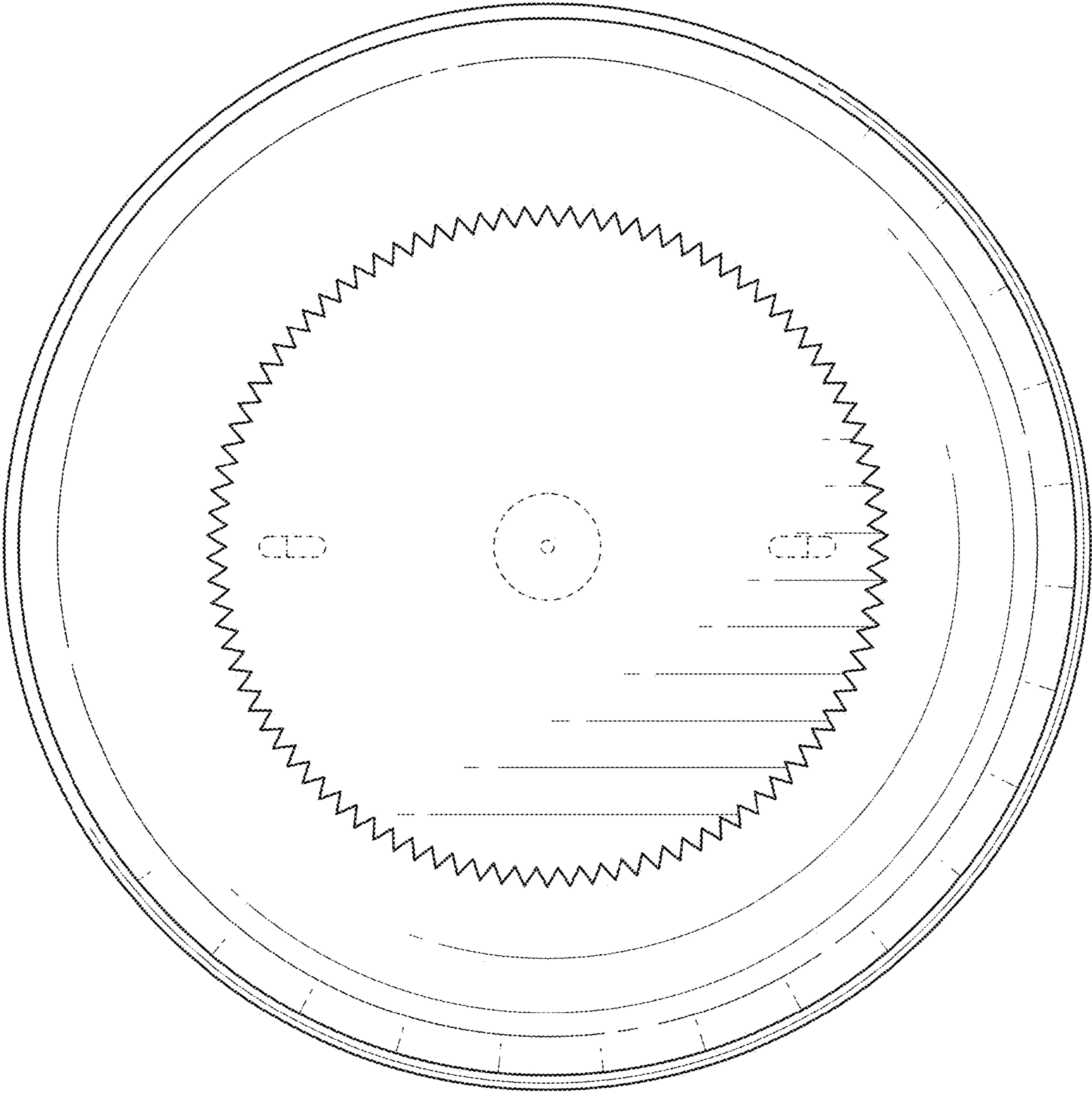


FIG. 4

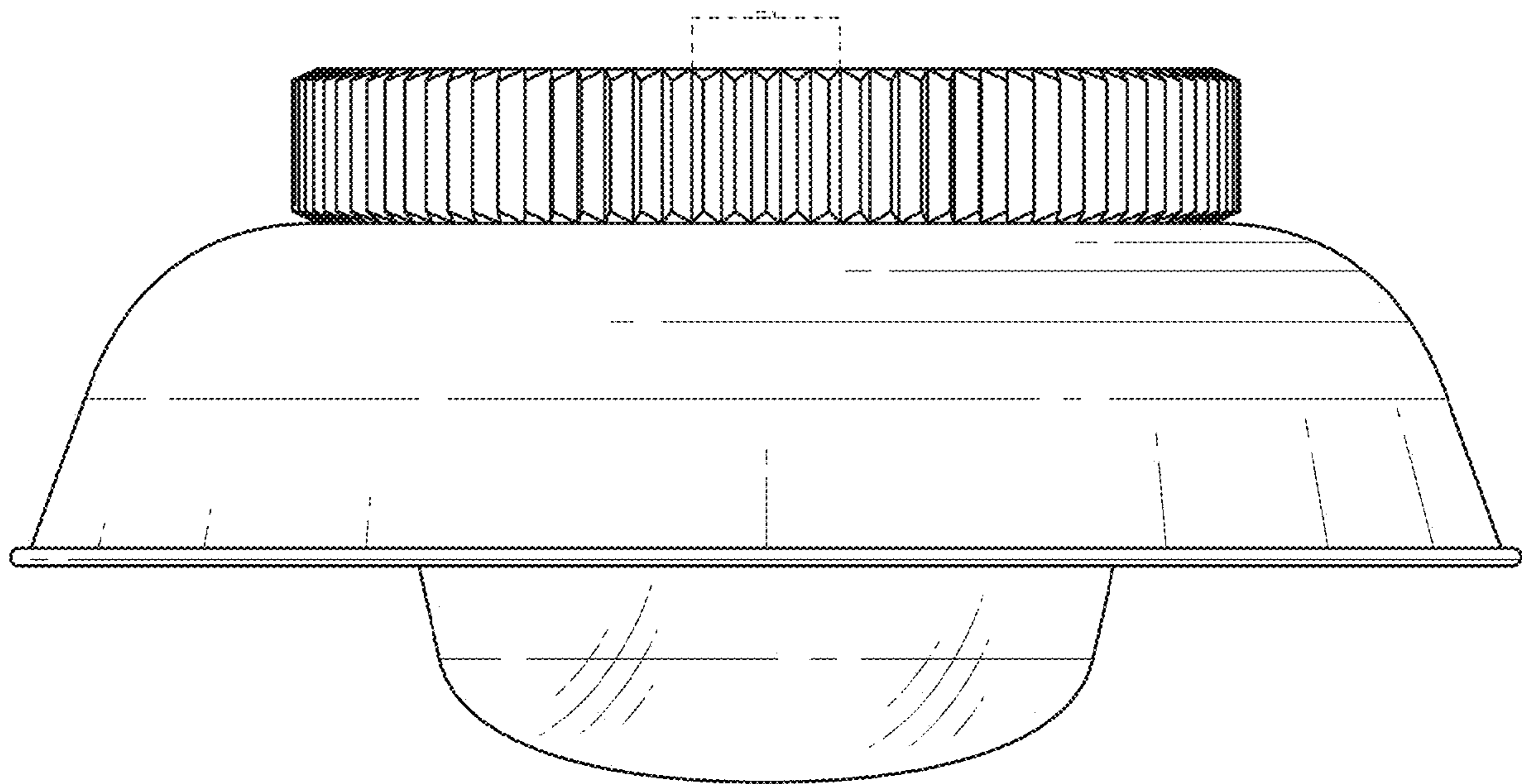


FIG. 5

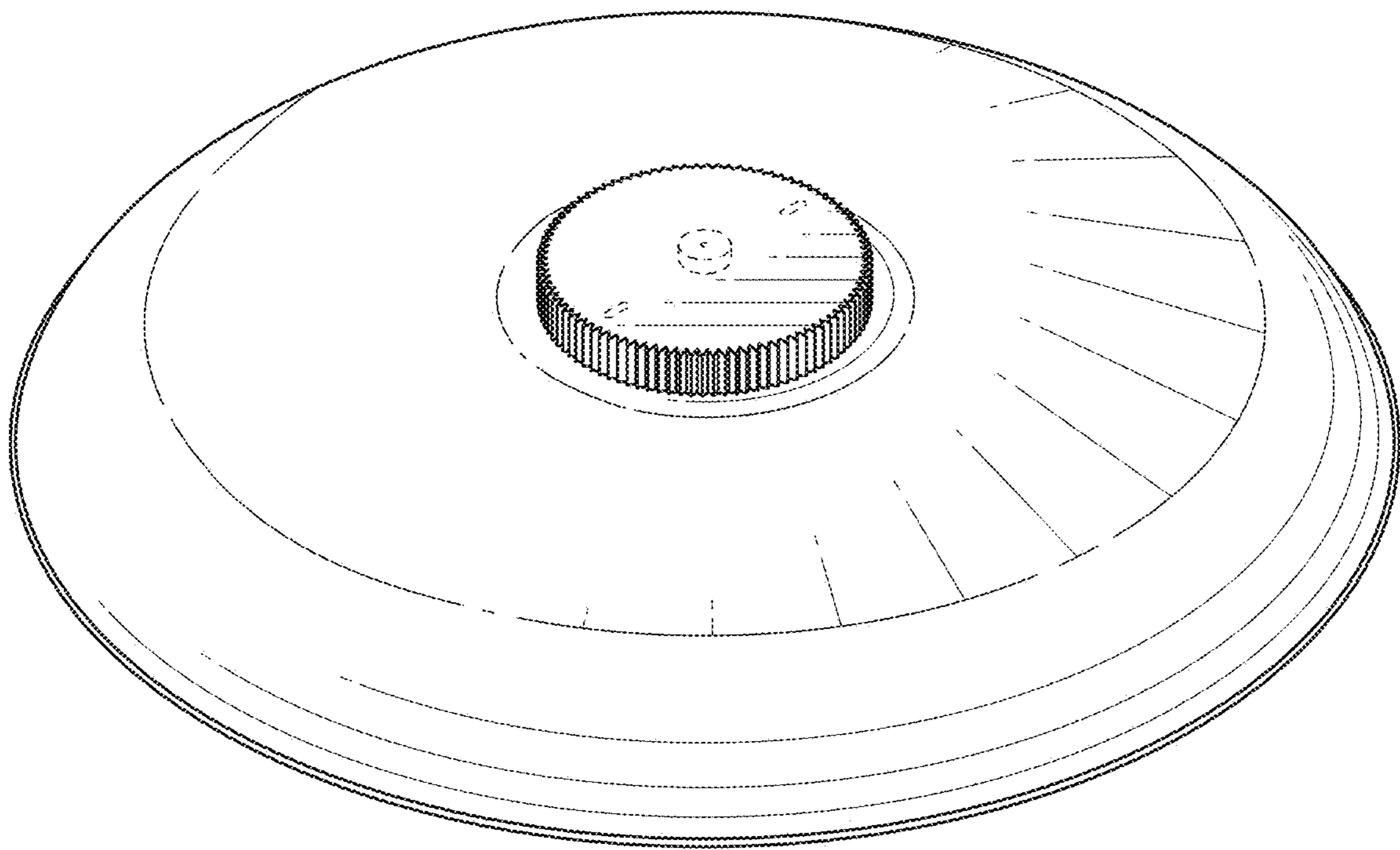


FIG. 6



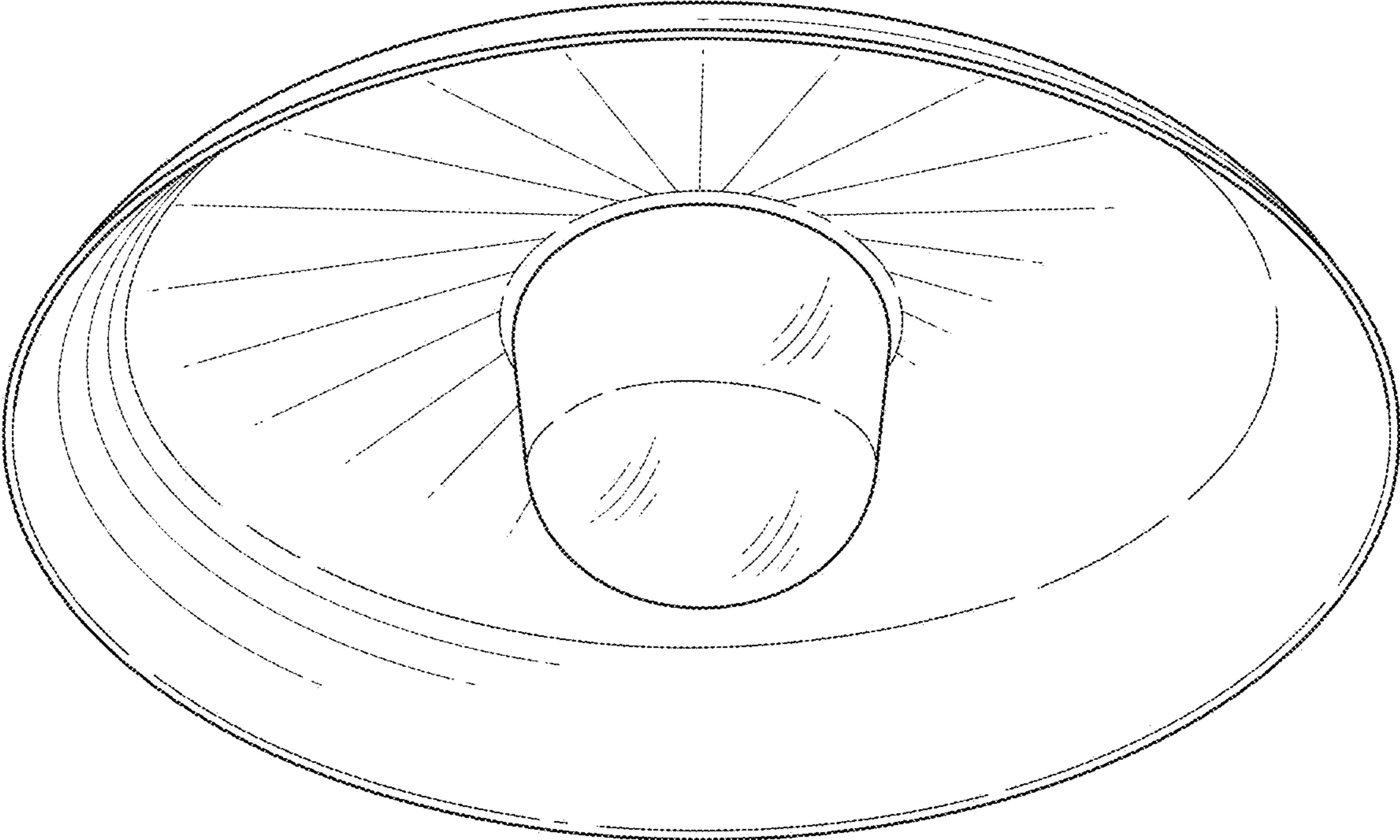


FIG. 7

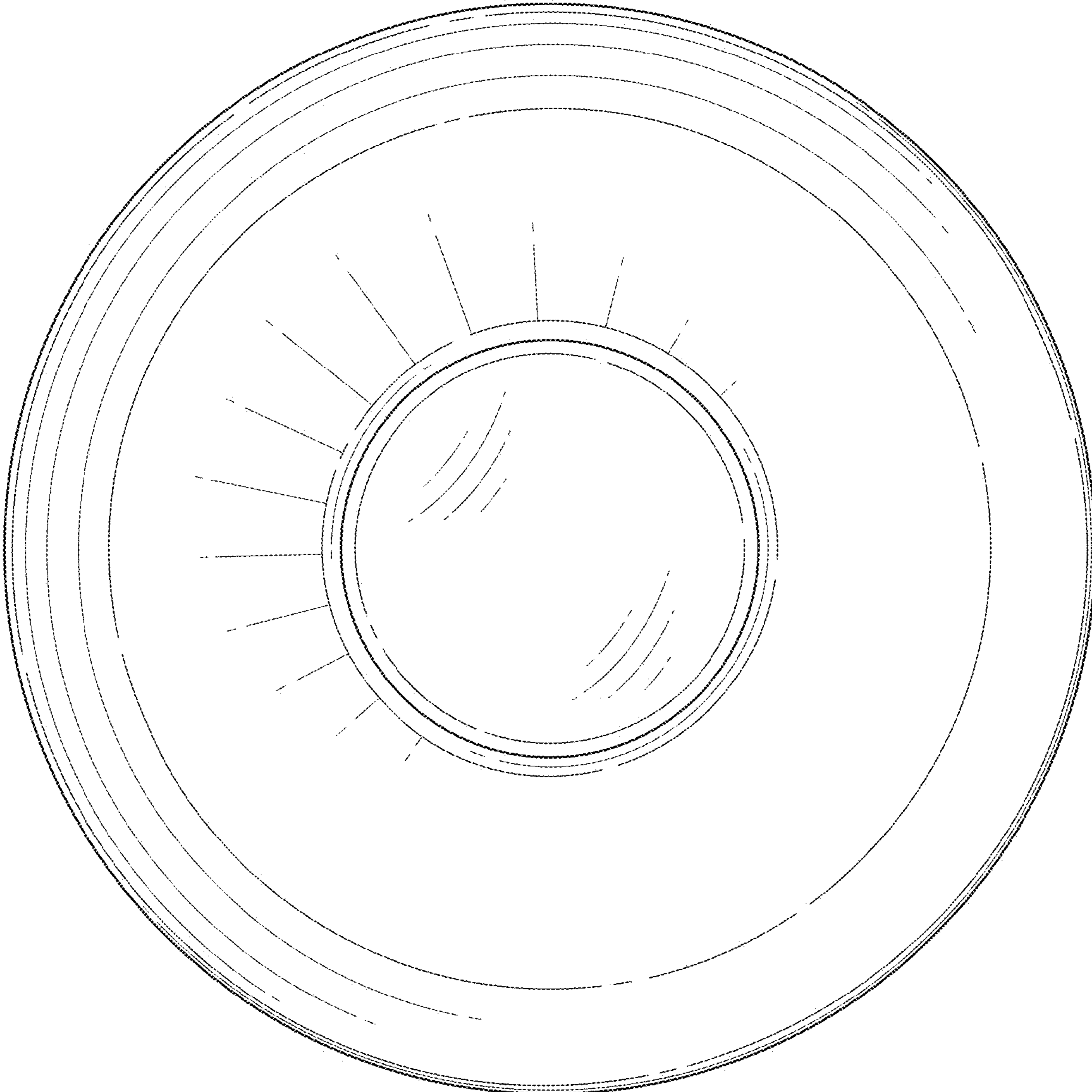


FIG. 8

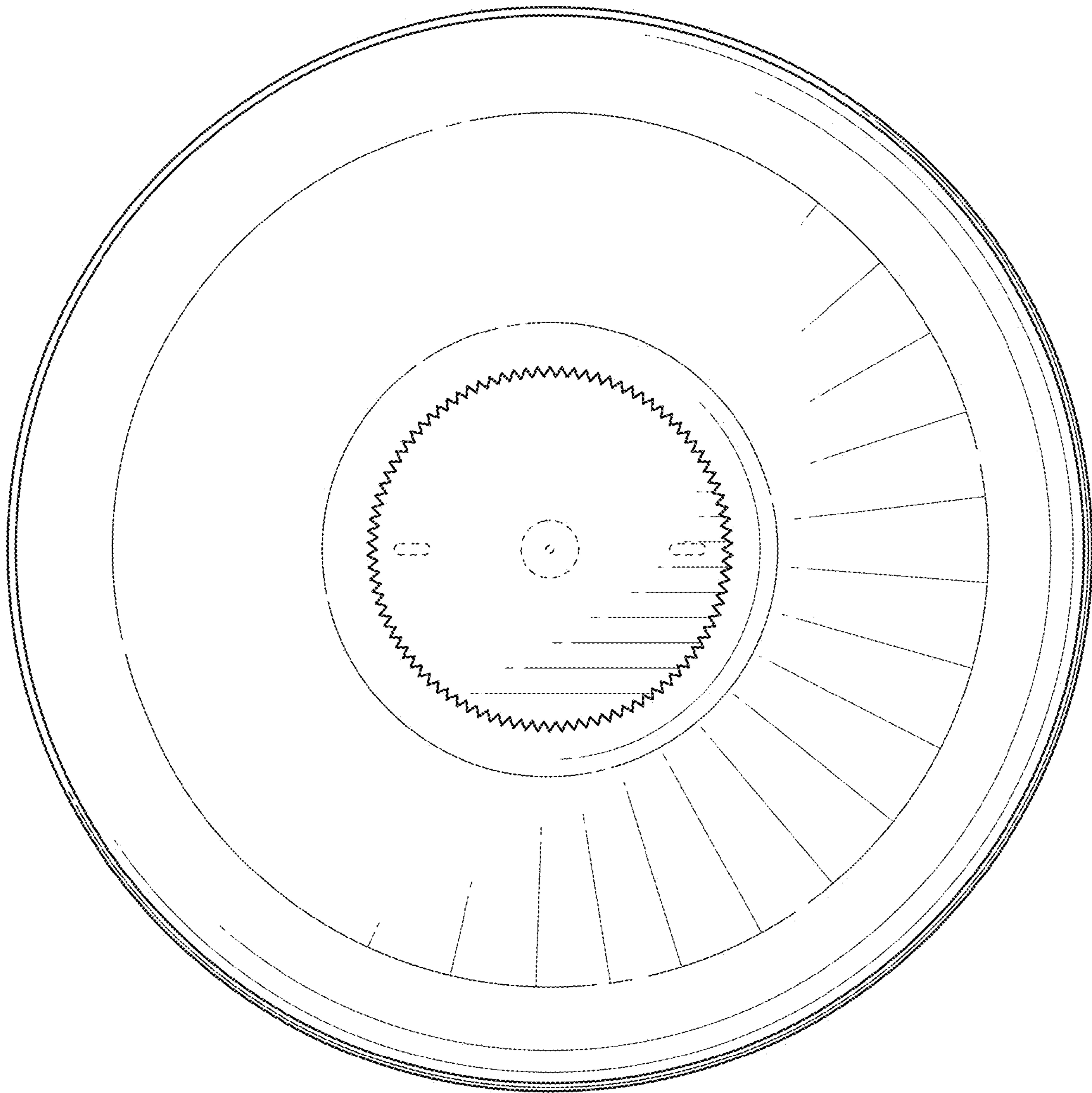


FIG. 9

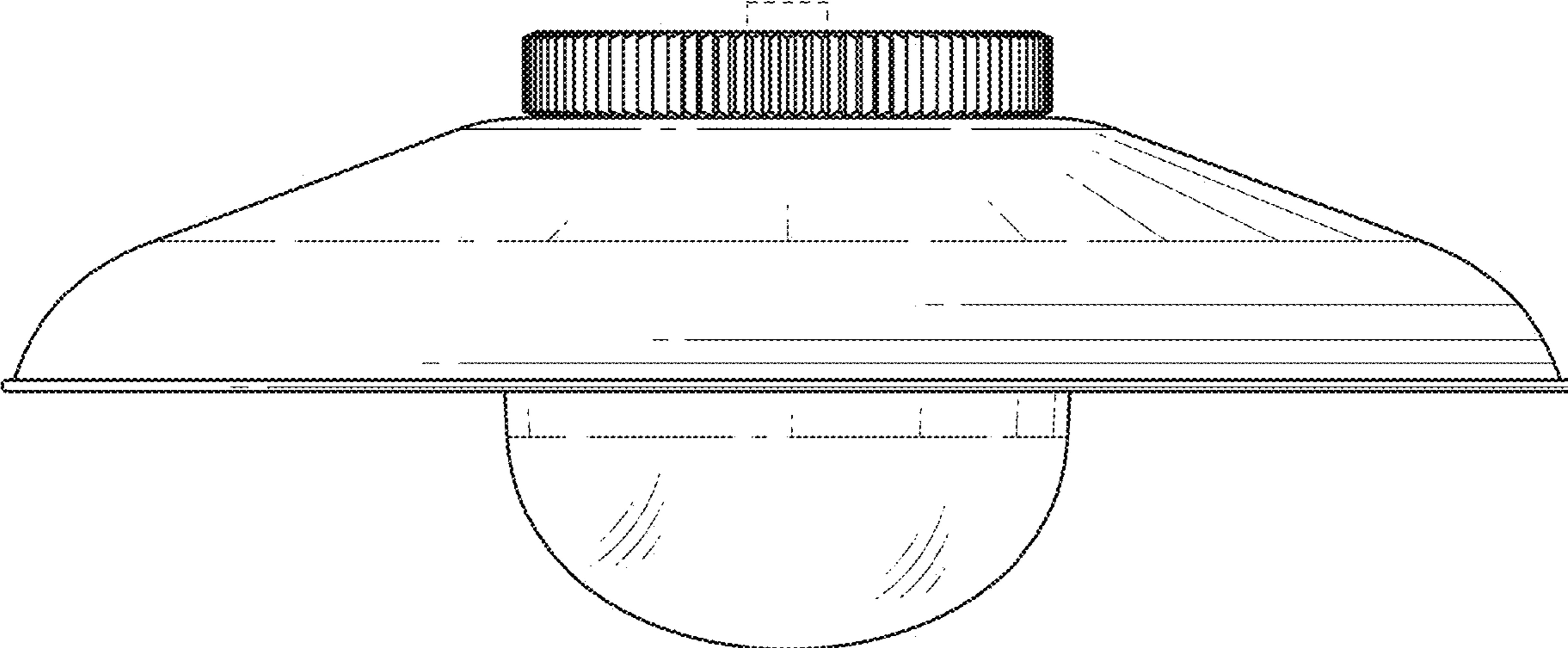


FIG. 10

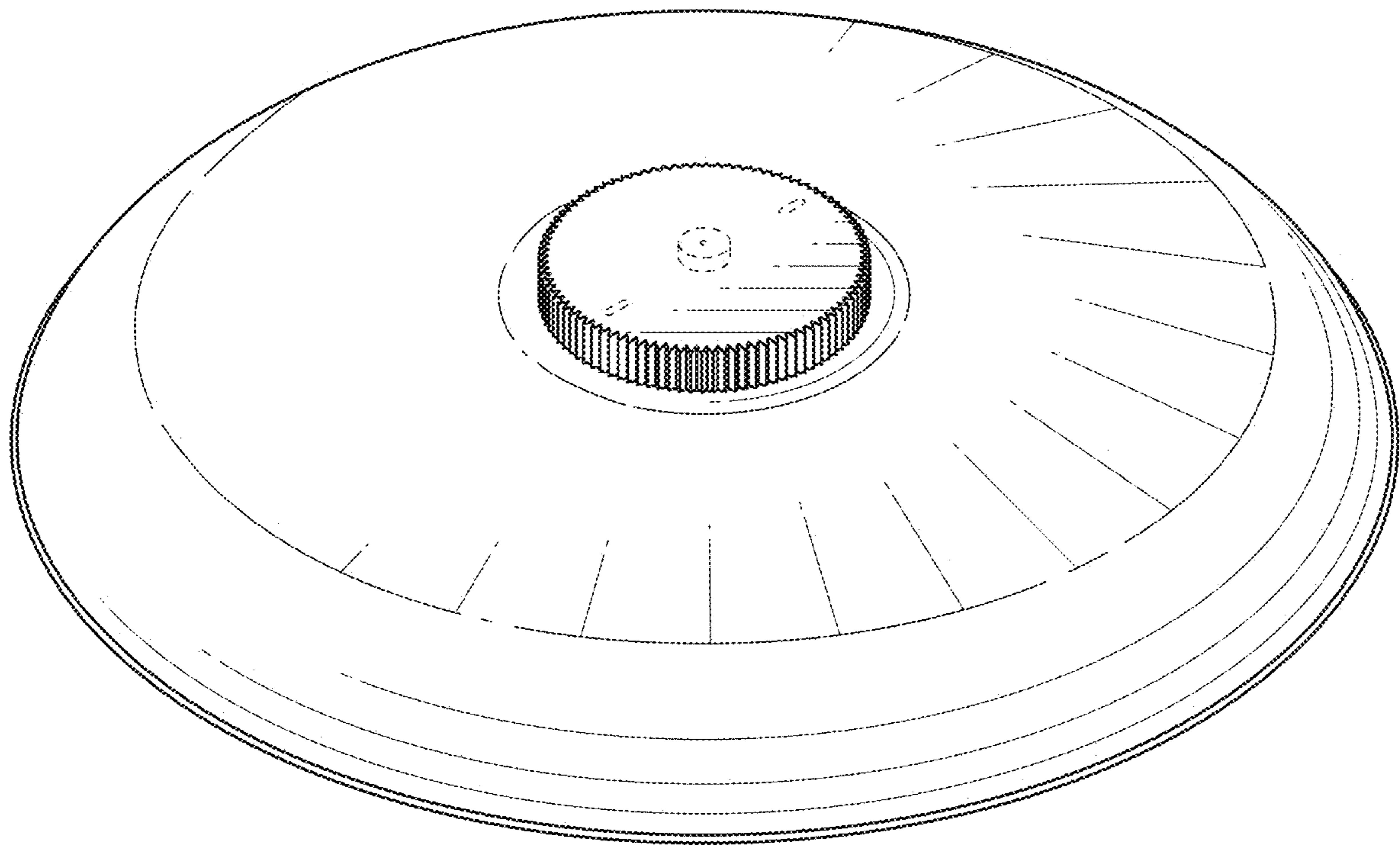


FIG. 11

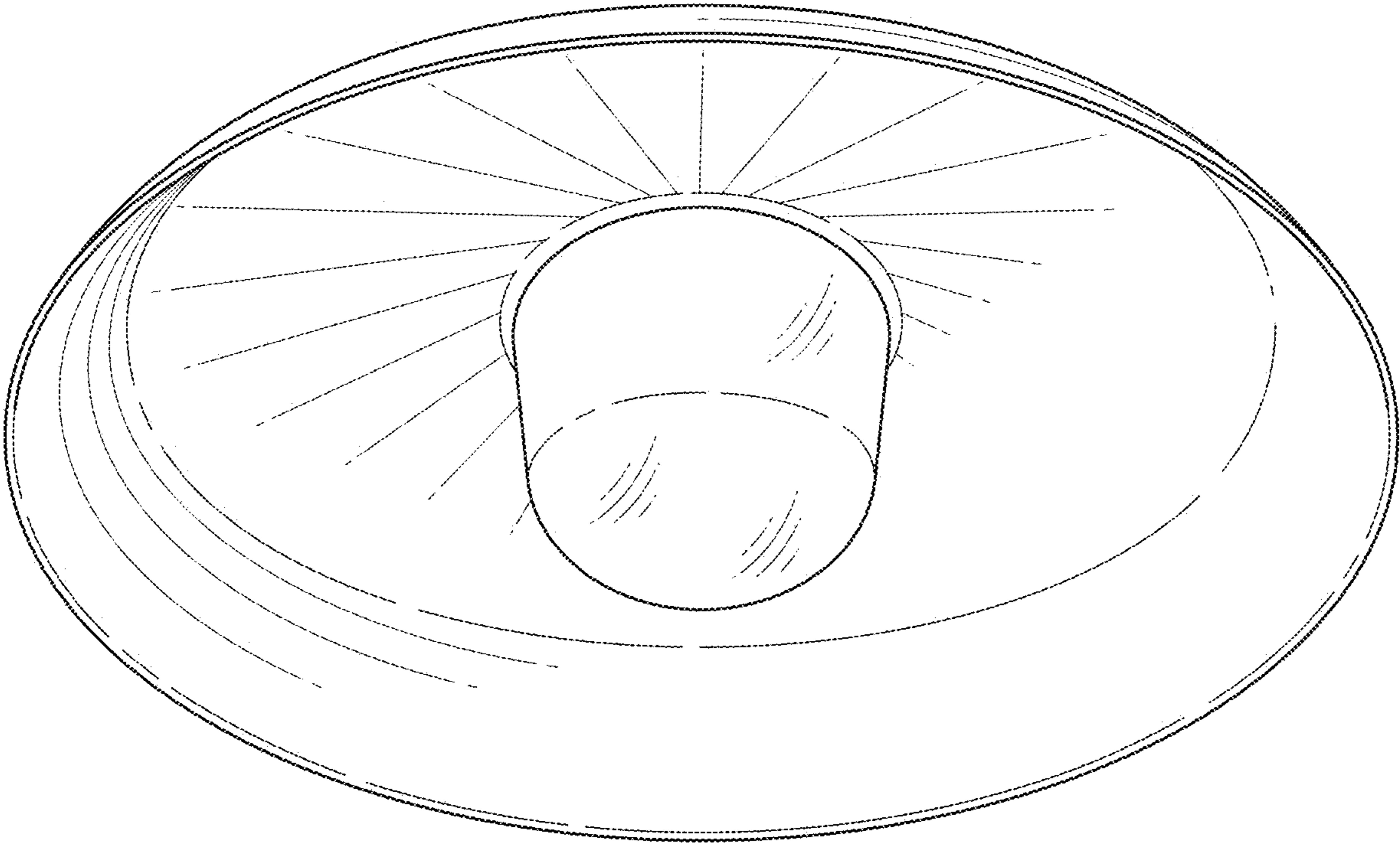


FIG. 12

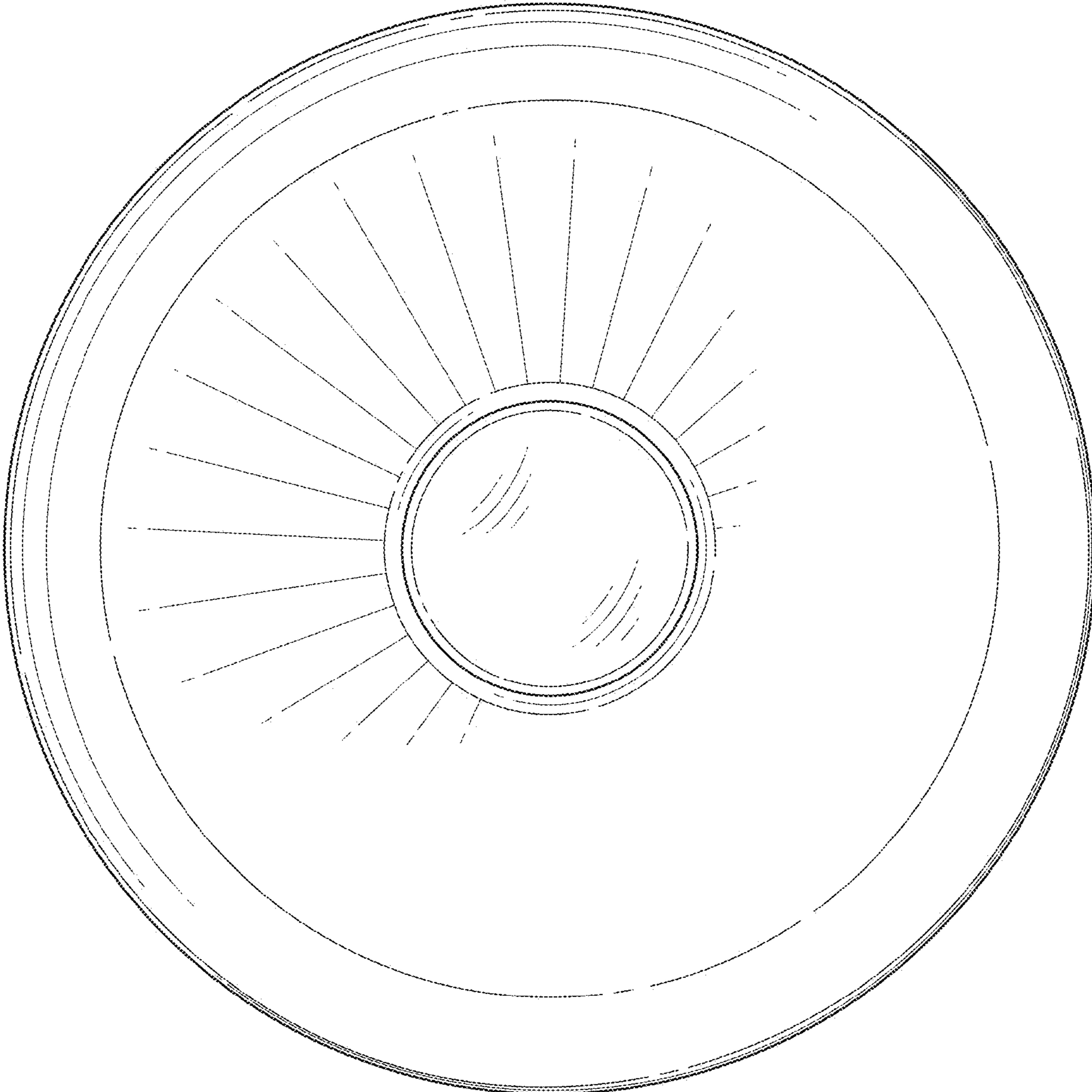


FIG. 13

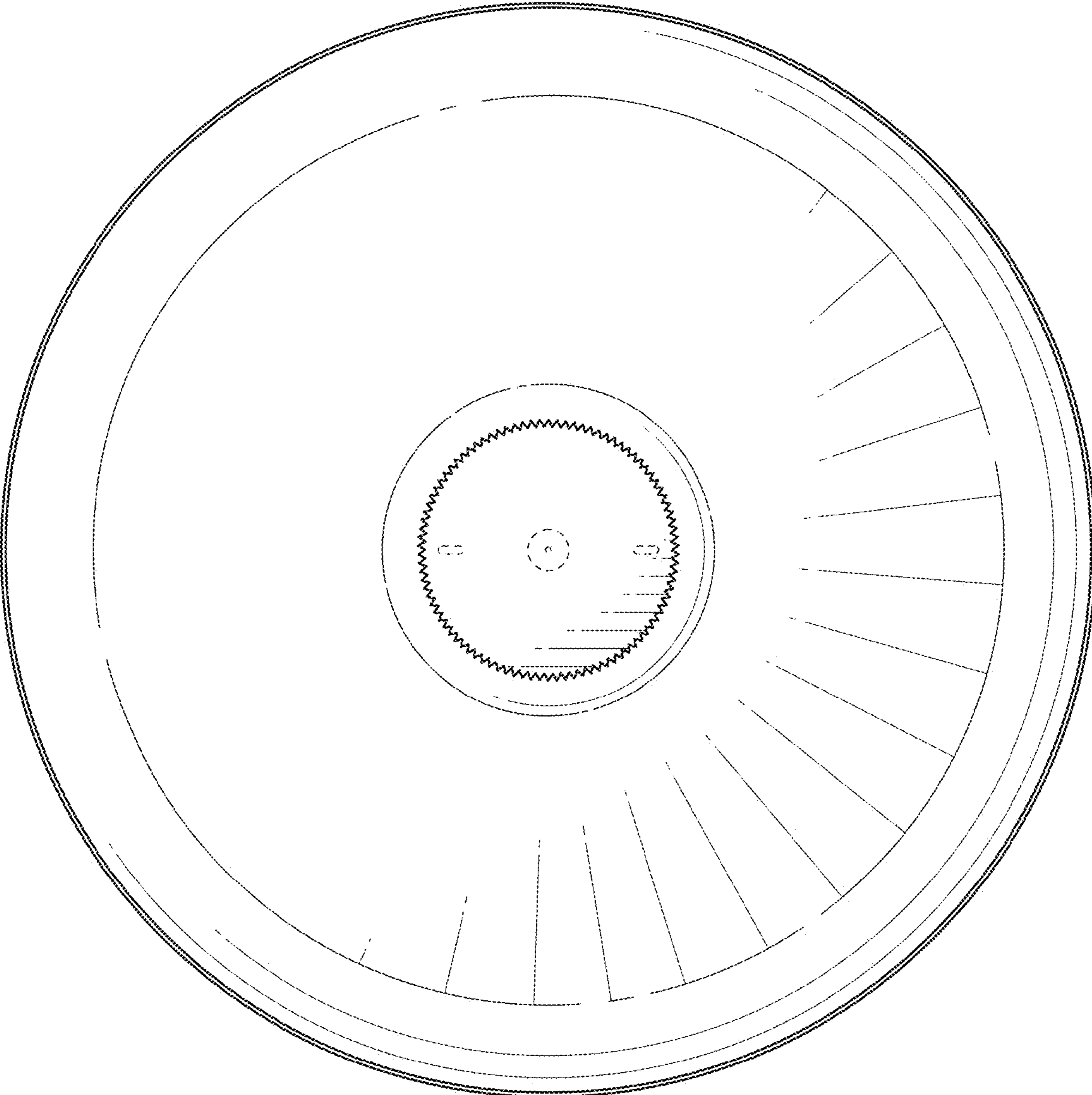


FIG. 14



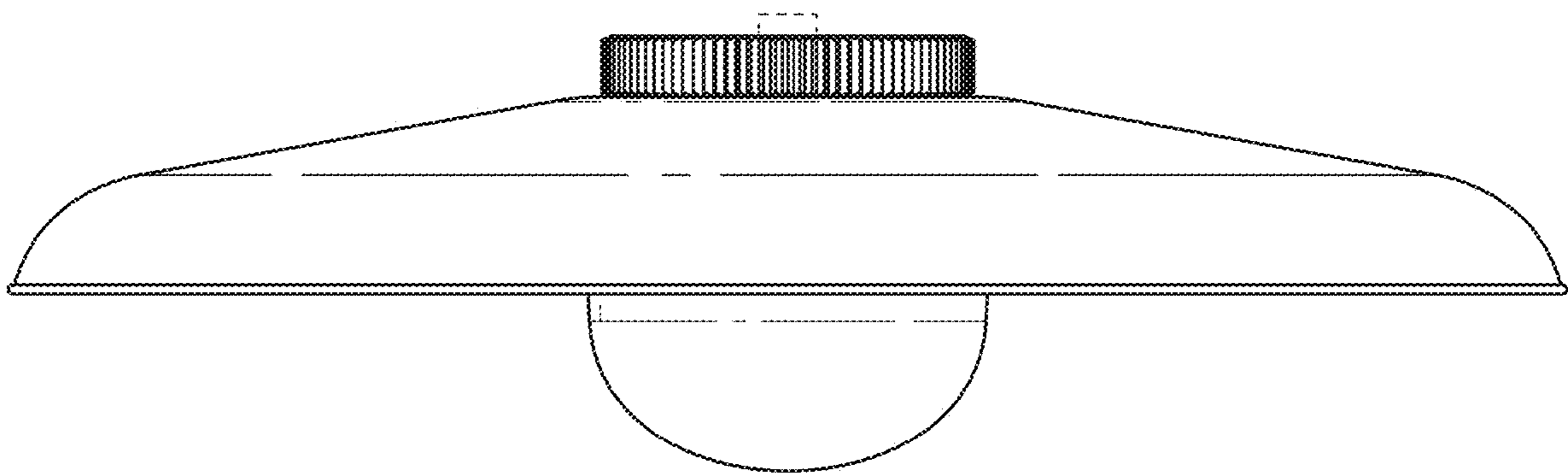


FIG. 15