



US00D970082S

(12) **United States Design Patent** (10) **Patent No.:** **US D970,082 S**  
**Zhou** (45) **Date of Patent:** **\*\* Nov. 15, 2022**

(54) **WALL LAMP**

(71) Applicant: **Shenzhen YEATION Supply Chain Management Co., Ltd**, Shenzhen (CN)

(72) Inventor: **Hailiang Zhou**, Shangrao (CN)

(\*\*) Term: **15 Years**

(21) Appl. No.: **29/786,685**

(22) Filed: **Jun. 2, 2021**

(51) **LOC (13) Cl.** ..... **26-05**

(52) **U.S. Cl.**  
USPC ..... **D26/74; D26/85**

(58) **Field of Classification Search**  
USPC ..... D26/24, 72, 74, 85, 87, 89, 92  
CPC .... F21S 8/03; F21S 8/033; F21S 8/036; F21S 8/037; F21S 9/022; F21S 9/024; F21S 9/03; F21S 9/035; F21S 9/037; F21W 2131/107

See application file for complete search history.

(56) **References Cited**

**U.S. PATENT DOCUMENTS**

D672,080 S	*	12/2012	Wauters	.....	D26/85
D742,576 S	*	11/2015	Blum	.....	D26/87
D783,879 S	*	4/2017	Dolan	.....	D26/85
D797,345 S	*	9/2017	Sonneman	.....	D26/85
D799,735 S	*	10/2017	Sonneman	.....	D26/85
D829,957 S	*	10/2018	Sonneman	.....	D26/85
D830,609 S	*	10/2018	Sonneman	.....	D26/85
D831,258 S	*	10/2018	Wiedemer	.....	D26/85
D853,014 S		7/2019	Pan		
D861,953 S		10/2019	Deng		
D867,646 S		11/2019	Flindt		
D905,893 S	*	12/2020	Walsh	.....	D26/88
D925,806 S	*	7/2021	Xia	.....	D26/85
D933,280 S	*	10/2021	Ahrari	.....	D26/85
2021/0131650 A1	*	5/2021	Crawford	.....	F21V 17/18

**OTHER PUBLICATIONS**

WAC 5" Wide Black Tempered Glass LED Step Light Style #75E77. Available from lampsplus.com, visited Jun. 27, 2022. (Year: 2022).\*

Bristol 9 3/4" Wide Black LED Outdoor Recessed Step Light Style #78H44. Available from lampsplus.com, visited Jun. 27, 2022. (Year: 2022).\*

Yaowszm 12W Outdoor Modern Wall Light LED Wall Sconce, ASIN: B0957HG185. Available from amazon.com May 18, 2021. (Year: 2021).\*

Vitra Horizontal LED Brick light by Sea Gull Lighting. Available from lumens.com as early as Jun. 28, 2018. (Year: 2018).\*

\* cited by examiner

*Primary Examiner* — Clare E Heflin

(57) **CLAIM**

The ornamental design for a wall lamp, as shown and described.

**DESCRIPTION**

FIG. 1 is a first perspective view of a wall lamp showing my new design;

FIG. 2 is a second perspective view thereof;

FIG. 3 is a front view thereof;

FIG. 4 is a back view thereof;

FIG. 5 is a left side view thereof;

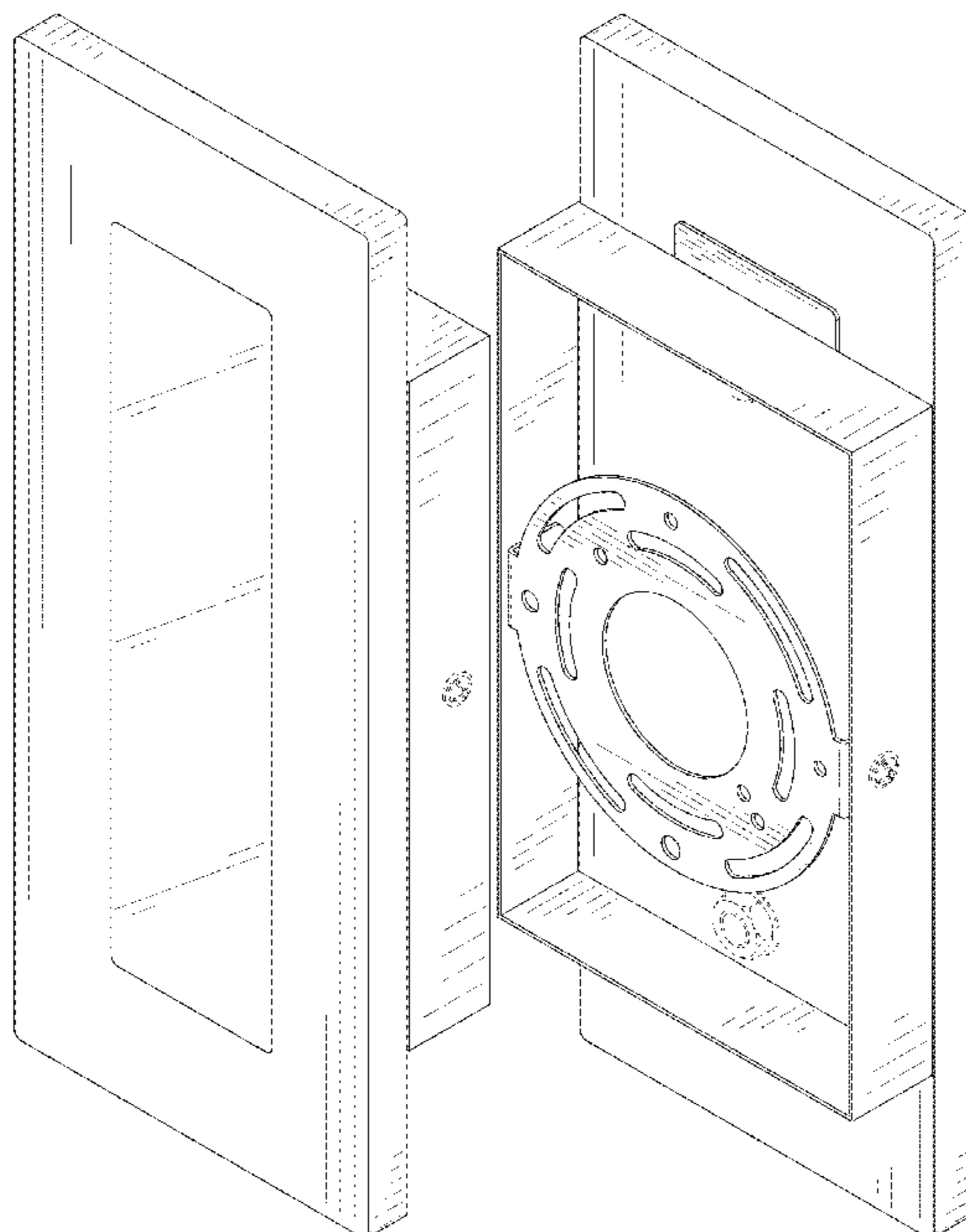
FIG. 6 is a right side view thereof;

FIG. 7 is a top view thereof; and,

FIG. 8 is a bottom view thereof.

The broken lines shown in the drawings depict portions of the wall lamp in which the design is embodied that form no part of the claimed design.

**1 Claim, 8 Drawing Sheets**



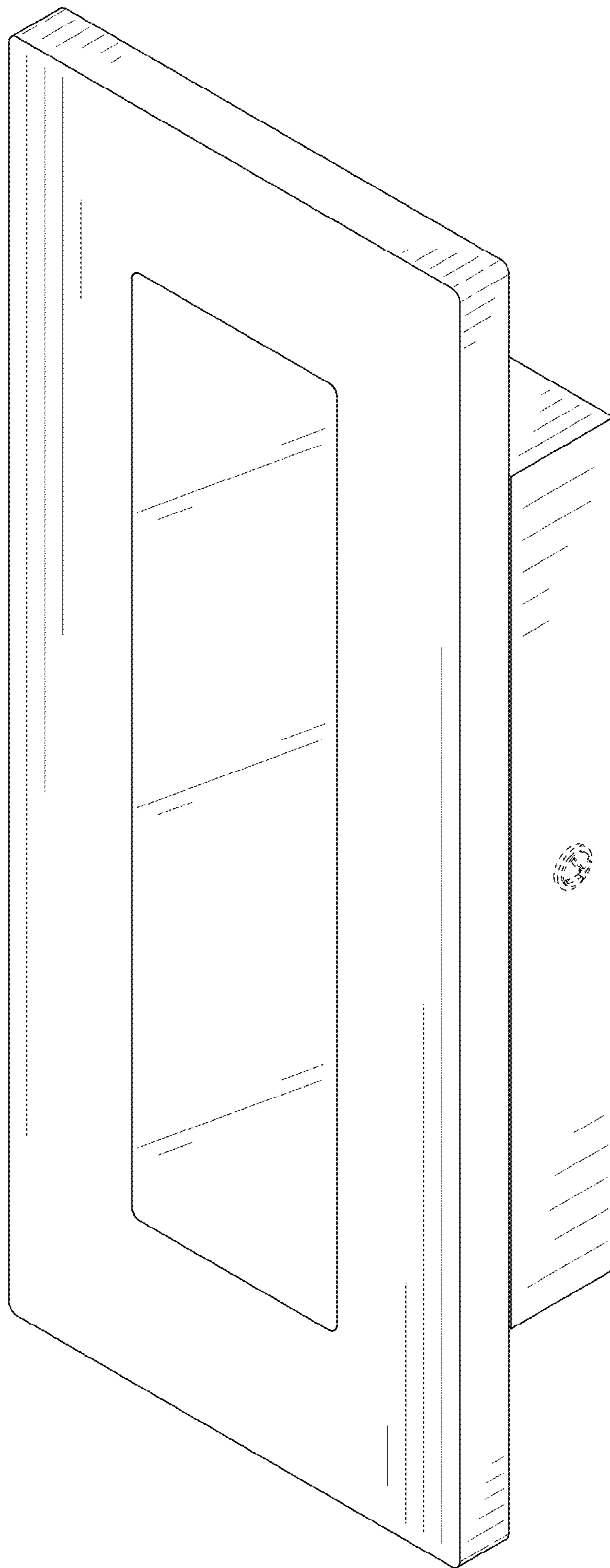


FIG. 1

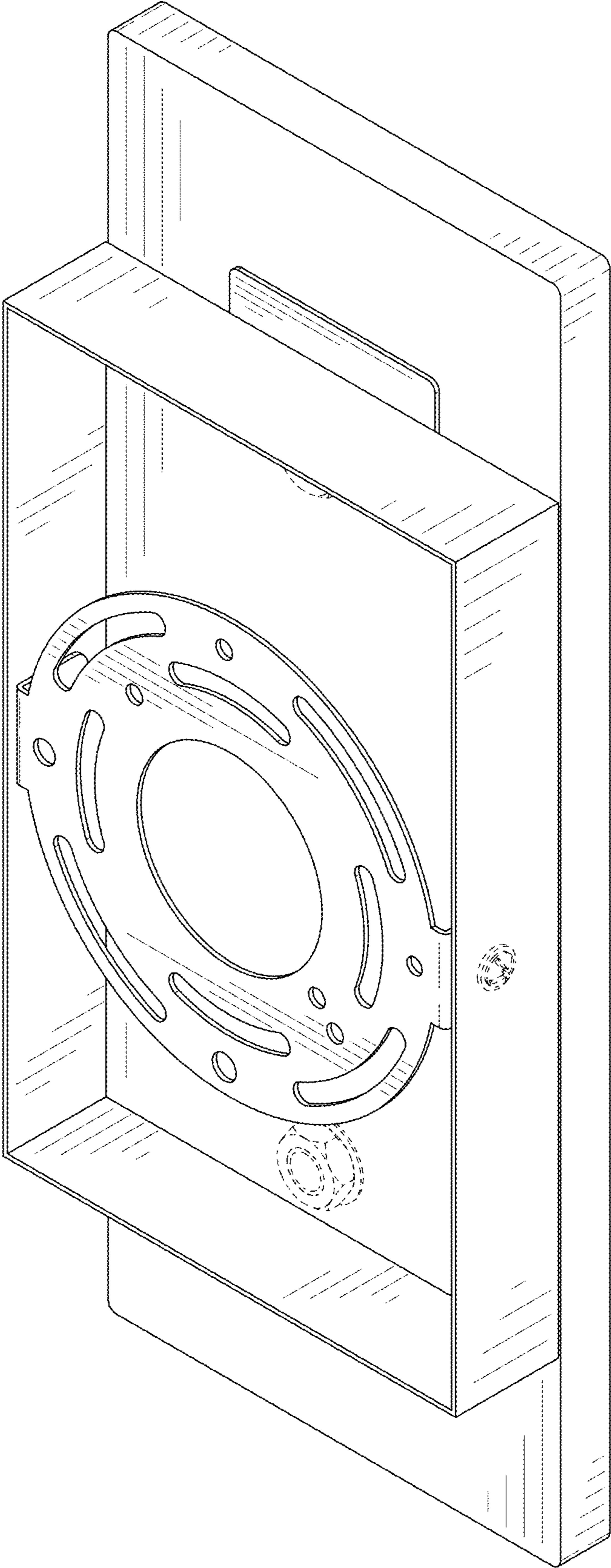


FIG. 2

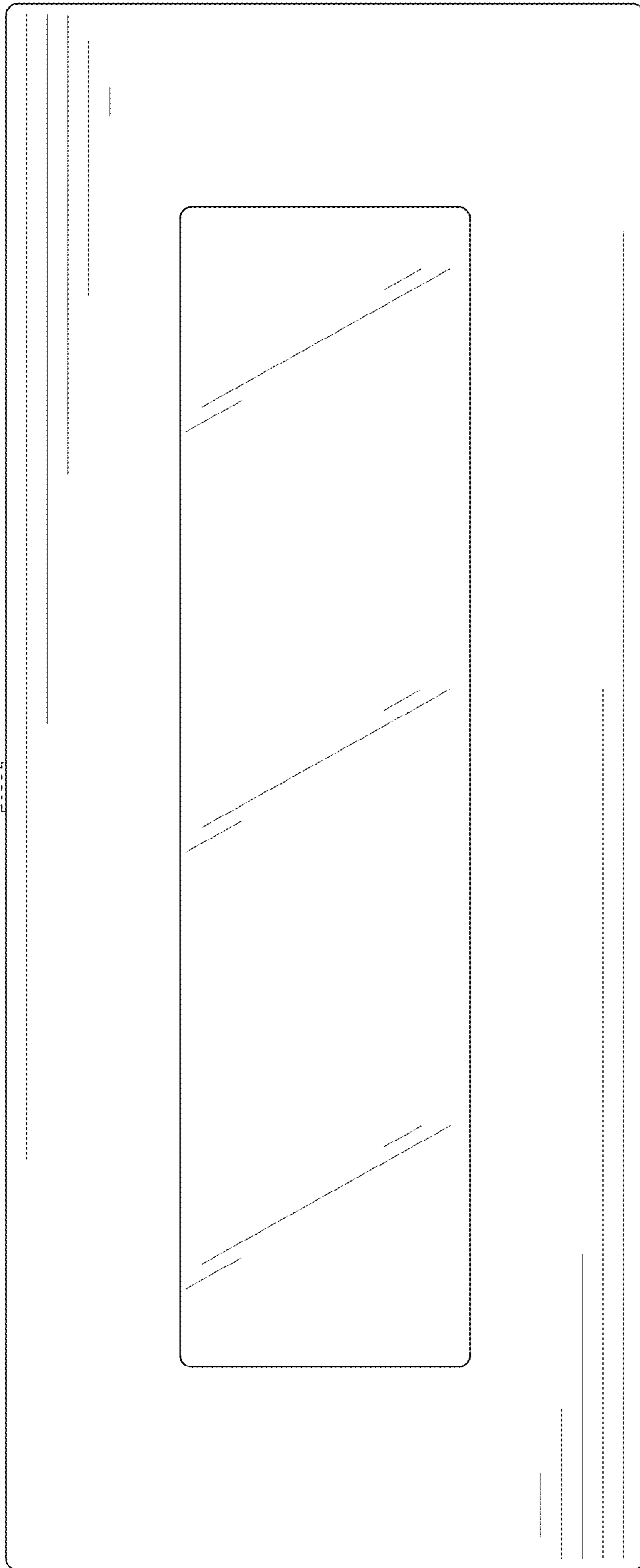


FIG. 3

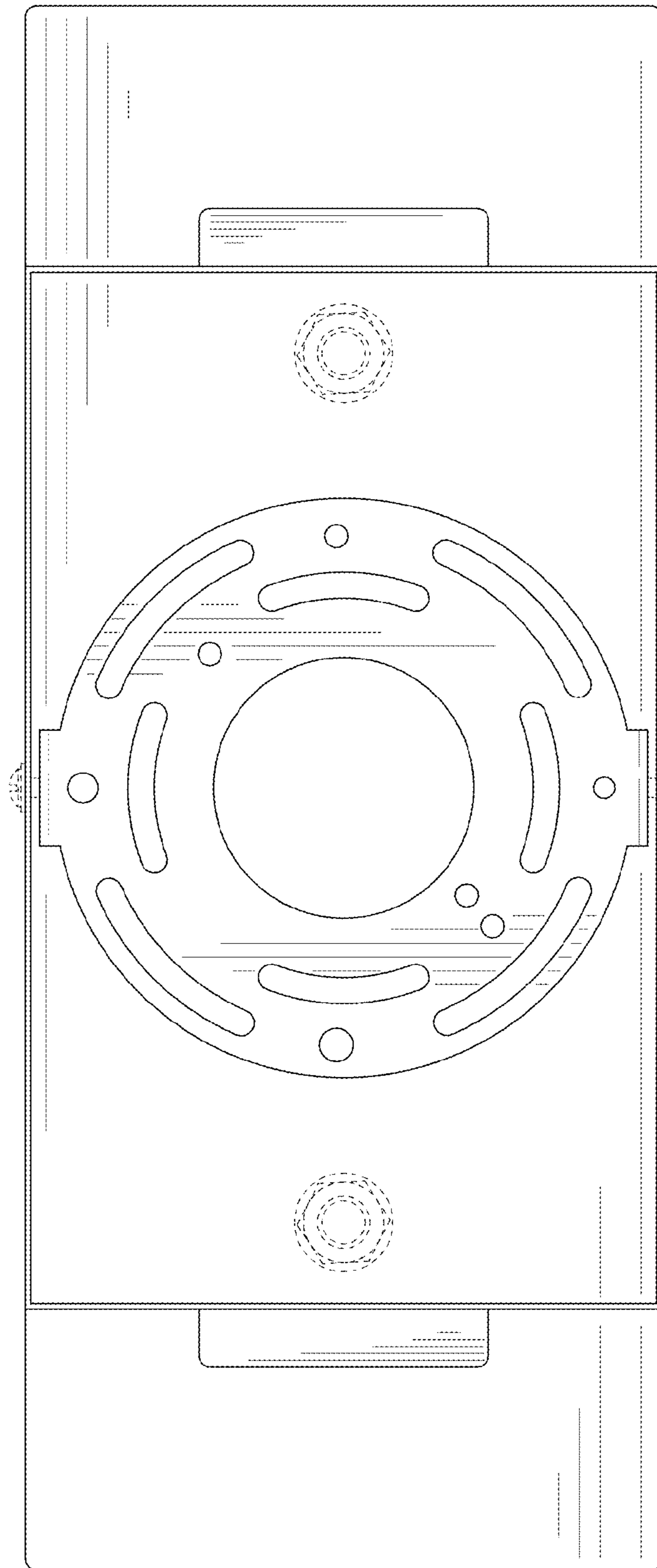


FIG. 4

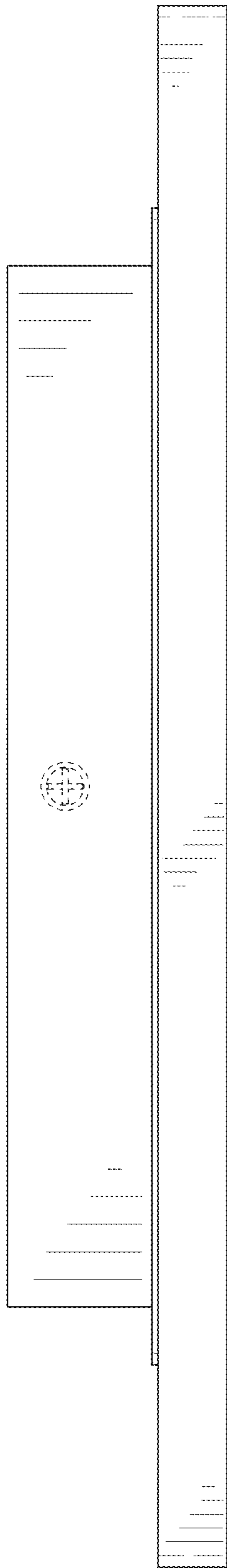


FIG. 5

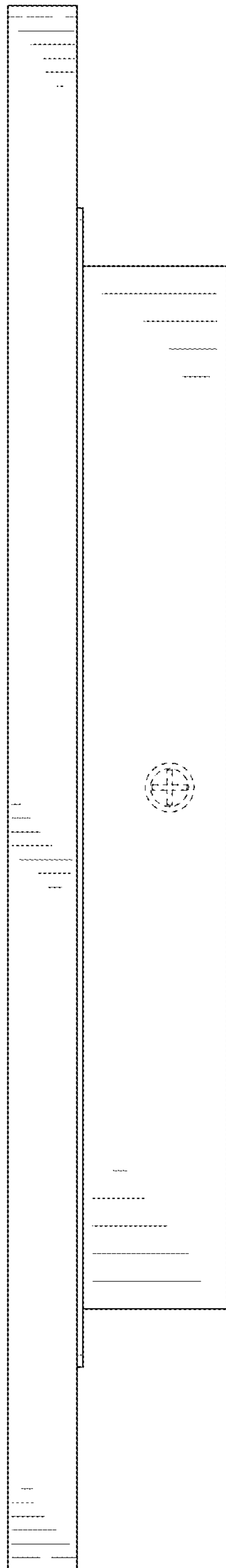


FIG. 6

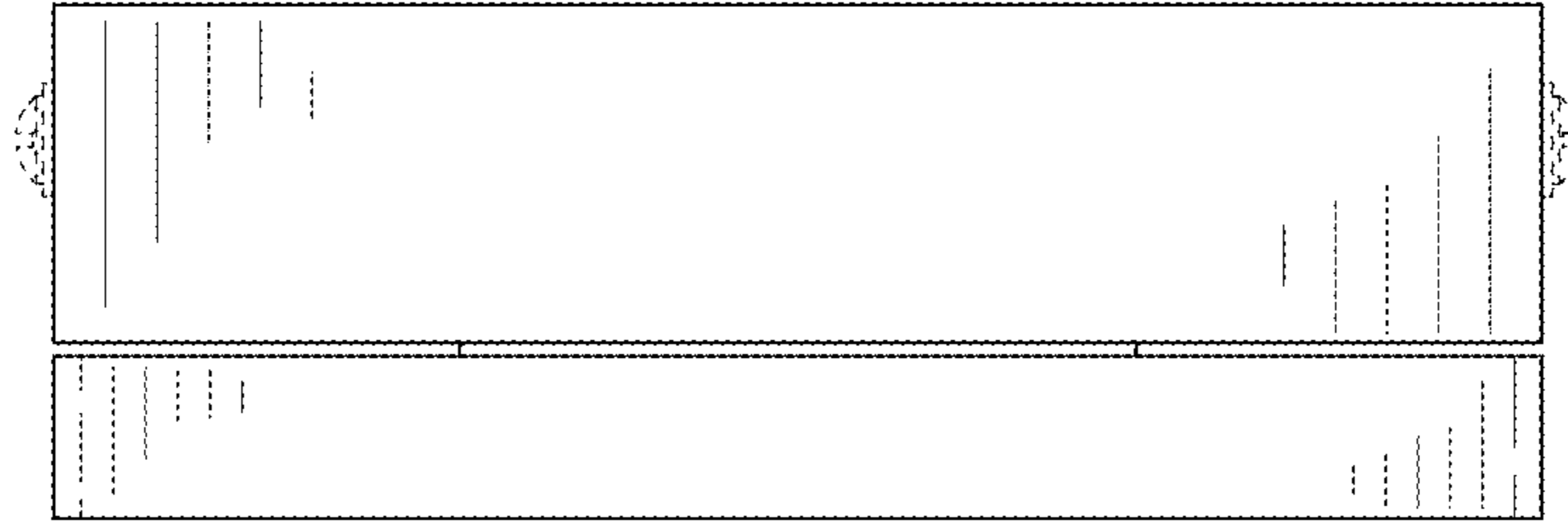


FIG. 7



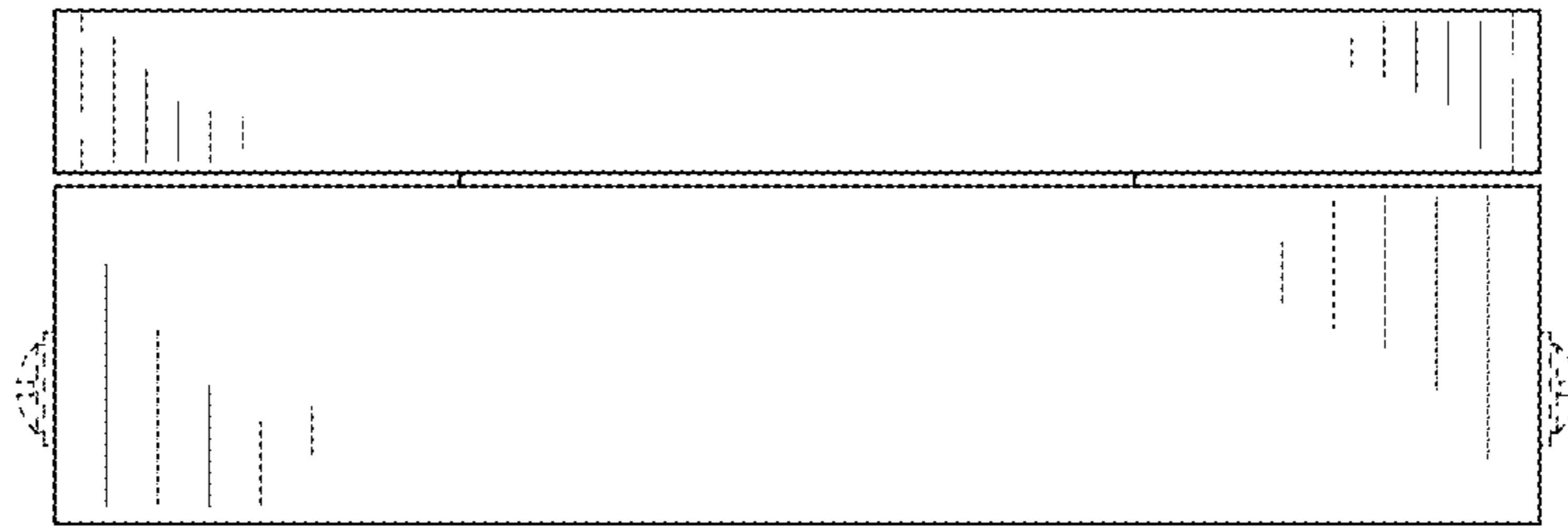


FIG. 8