



US00D970080S

(12) **United States Design Patent** (10) **Patent No.:** **US D970,080 S**
Morrison (45) **Date of Patent:** **** Nov. 15, 2022**

(54) **WALL LAMP**
(71) Applicant: **FLOS S.P.A.**, Bovezzo (IT)
(72) Inventor: **Jasper Morrison**, Brescia (IT)
(73) Assignee: **FLOS S.p.A.**, Brescia (IT)
(**) Term: **15 Years**
(21) Appl. No.: **35/512,116**
(22) Filed: **Jun. 17, 2021**
(80) **Hague Agreement Data**
Int. Filing Date: **Jun. 17, 2021**
Int. Reg. No.: **DM/214919**
Int. Reg. Date: **Jun. 17, 2021**
Int. Reg. Pub. Date: **Jul. 2, 2021**

(30) **Foreign Application Priority Data**
Jan. 19, 2021 (IT) 402021000000107
(51) **LOC (13) Cl.** **26-05**
(52) **U.S. Cl.**
USPC **D26/72**
(58) **Field of Classification Search**
USPC D26/24, 72, 73, 75, 79, 85, 92
CPC F21S 8/00; F21S 8/03; F21S 8/033; F21S
8/036; F21S 13/02; F21S 9/02; F21V
1/00; F21V 1/146
See application file for complete search history.

(56) **References Cited**
U.S. PATENT DOCUMENTS
D100,786 S * 8/1936 Lescaze et al. D26/92
D266,958 S * 11/1982 Gernhardt D26/92
D288,136 S * 2/1987 Pfister D26/87
D321,950 S * 11/1991 Enthoven D26/92
D490,182 S * 5/2004 Benensohn D26/89
D490,183 S * 5/2004 Benensohn D26/89

D493,246 S * 7/2004 Benensohn D26/89
D603,997 S * 11/2009 Shiu D26/72
D617,035 S * 6/2010 Sabernig D26/89
D633,231 S * 2/2011 Morrison D26/24
D642,727 S * 8/2011 van den Akker D26/85
D655,849 S * 3/2012 Sabernig D26/85
D656,264 S * 3/2012 Janssen D26/85
D666,764 S * 9/2012 Gilad D26/87
D676,181 S * 2/2013 Sandell D26/92
D694,459 S * 11/2013 Fang D26/92
D787,733 S * 5/2017 Sonneman D26/85
D810,344 S * 2/2018 Verelst D26/72
D813,437 S * 3/2018 Verelst D26/72
D827,180 S * 8/2018 Mou D26/85
D827,917 S * 9/2018 Botti D26/138
D872,336 S * 1/2020 Ye D26/71
D878,639 S * 3/2020 Luo D26/24
D880,045 S * 3/2020 Clarkson D26/106
D914,269 S * 3/2021 Anastasiades D26/88
D952,221 S * 5/2022 Long F21S 8/03
D26/63
D960,400 S * 8/2022 Ding D26/70
2020/0309333 A1 * 10/2020 Weng F21S 9/02
2020/0389954 A1 * 12/2020 Sinphay F21S 8/03

* cited by examiner

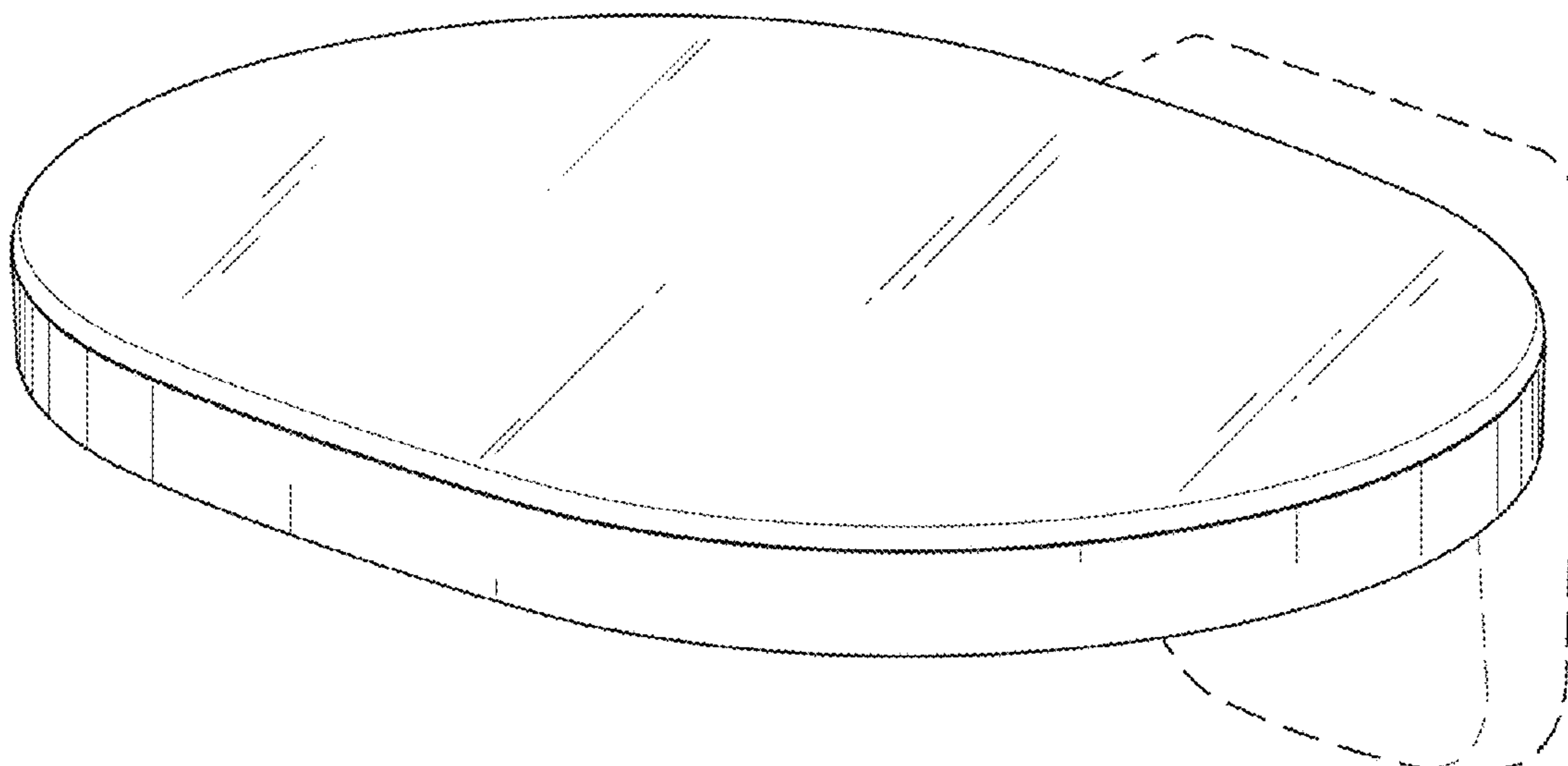
Primary Examiner — Steven J Czyz
(74) *Attorney, Agent, or Firm* — Thomas | Horstemeyer, LLP

(57) **CLAIM**
The ornamental design for wall lamp, as shown and described.

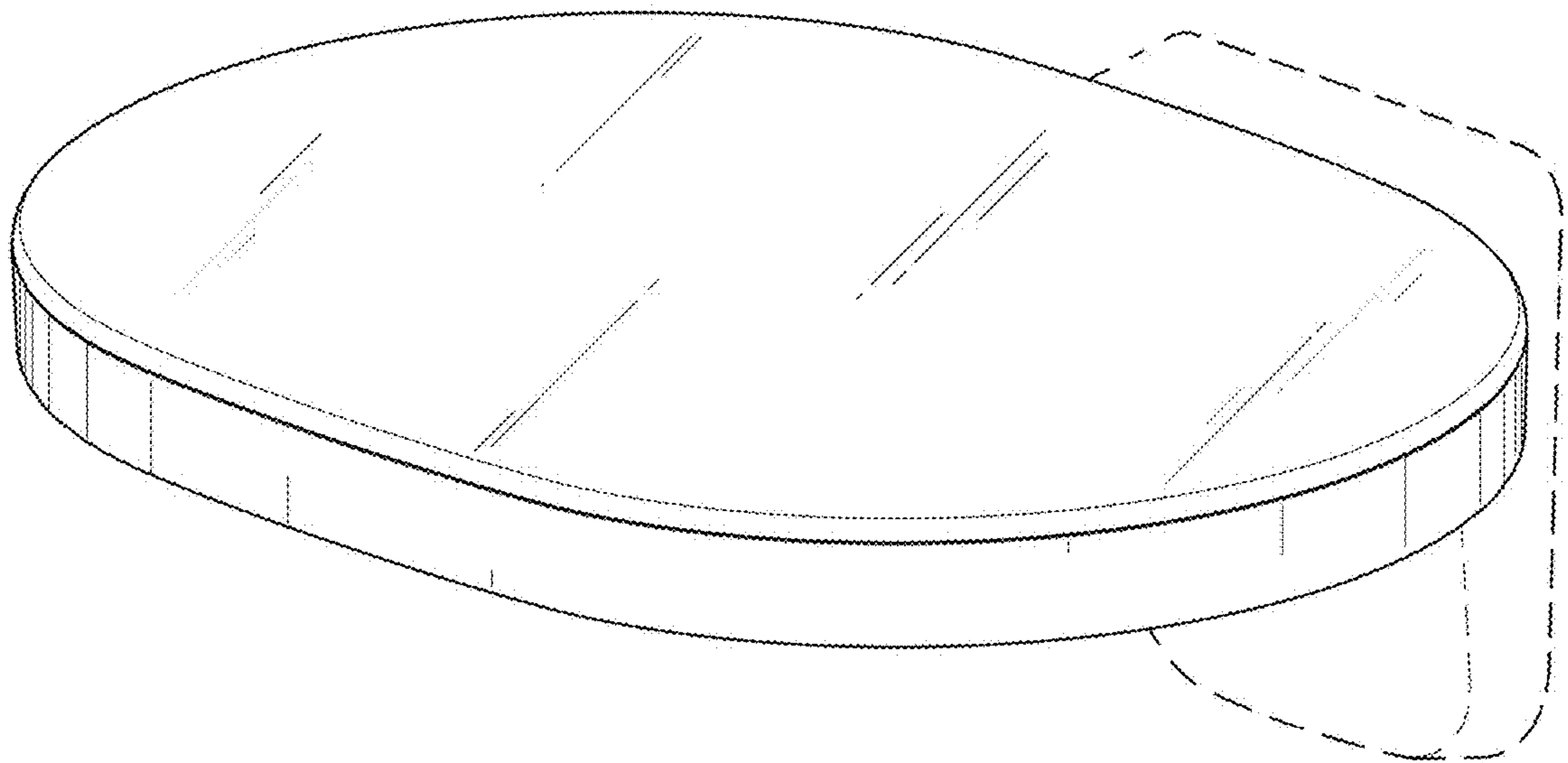
DESCRIPTION

1. Wall lamp
fig. 1.1 is a perspective view of the claimed design; fig. 1.2 is a left view thereof; fig. 1.3 is a right view thereof; fig. 1.4 is a front view thereof; fig. 1.5 is a rear view thereof; fig. 1.6 is a top view thereof; fig. 1.7 is a bottom view thereof.
The broken lines shown in the reproductions form no part of the claimed design.

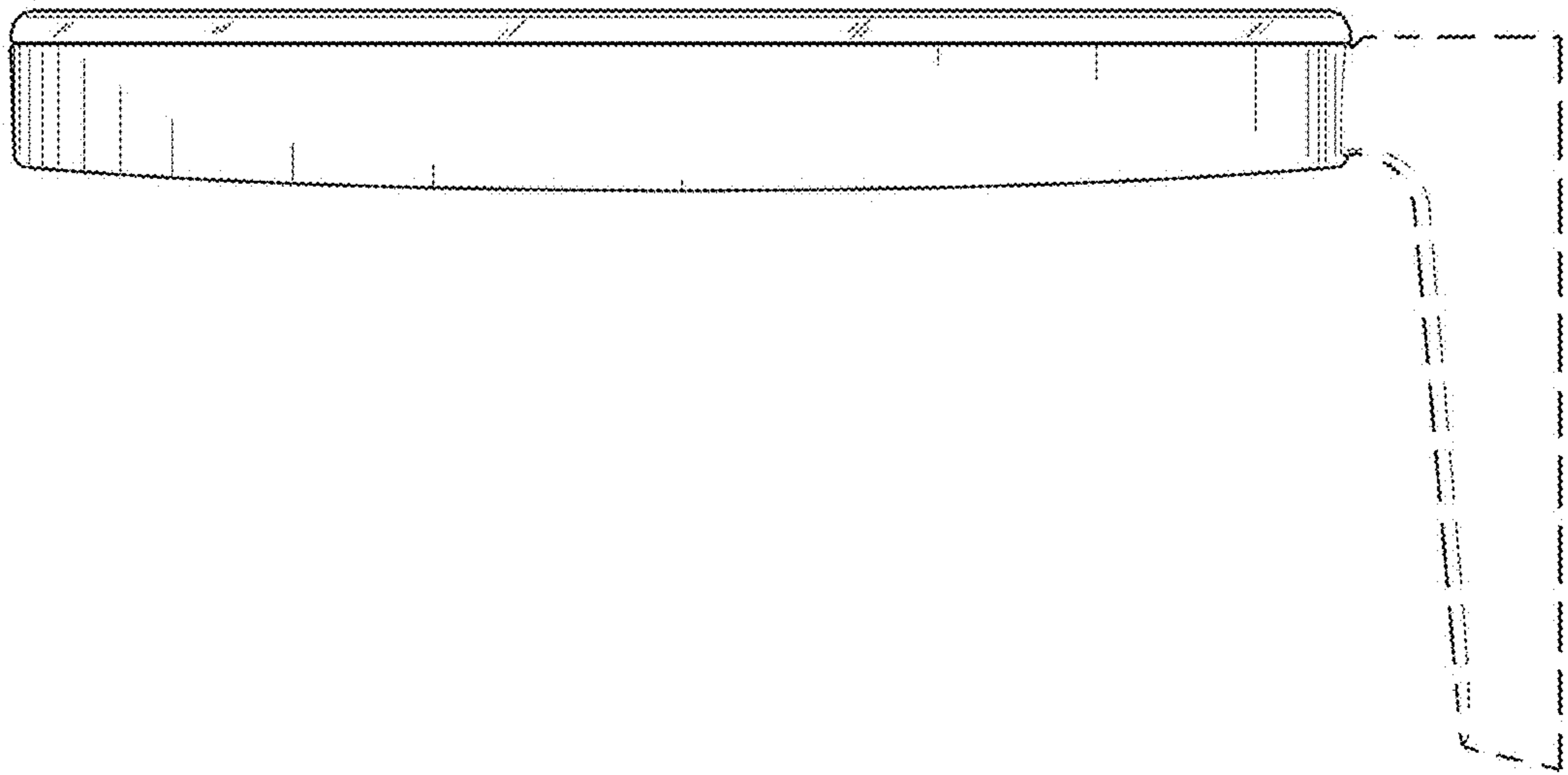
1 Claim, 7 Drawing Sheets



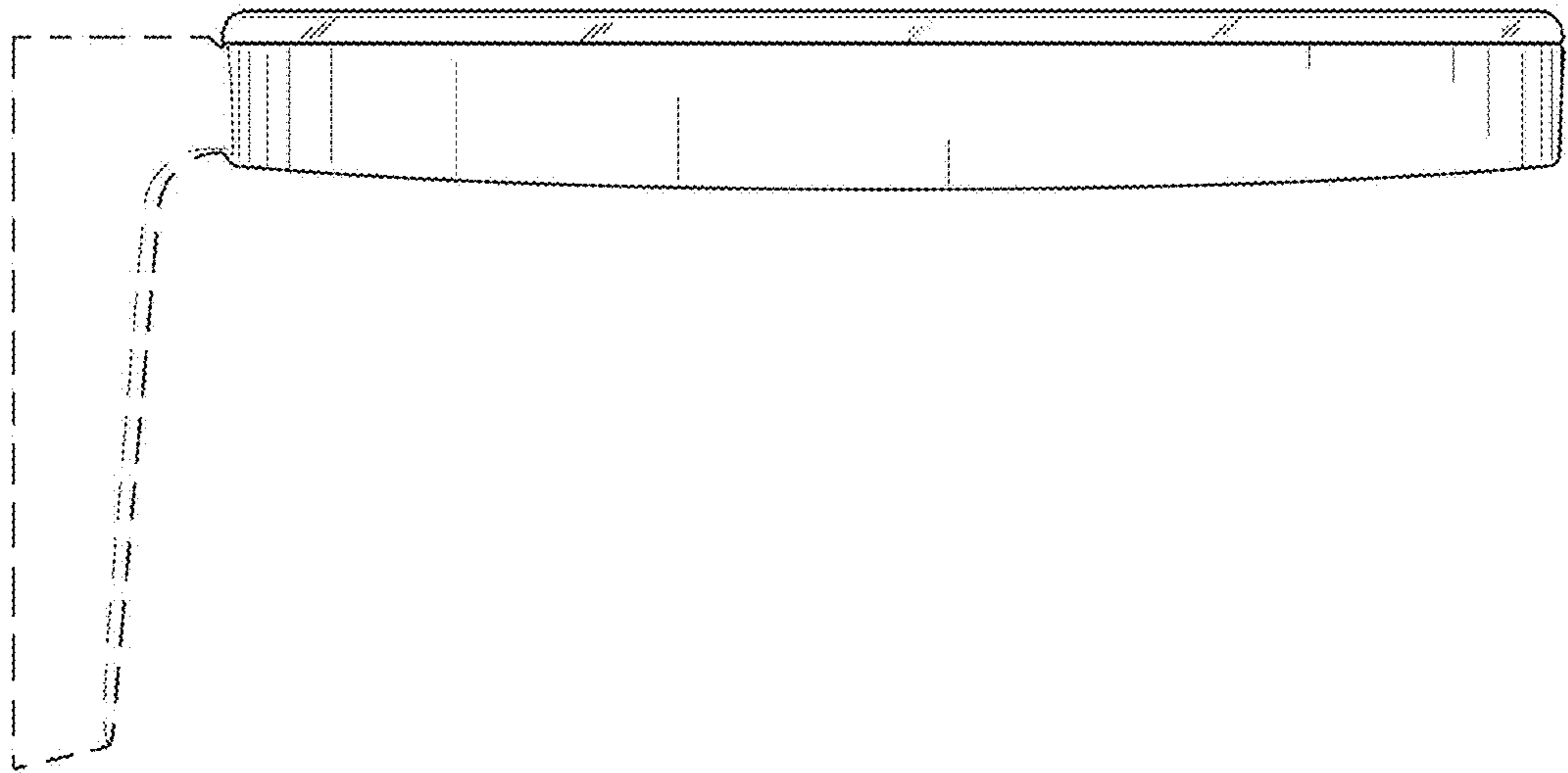
1.1



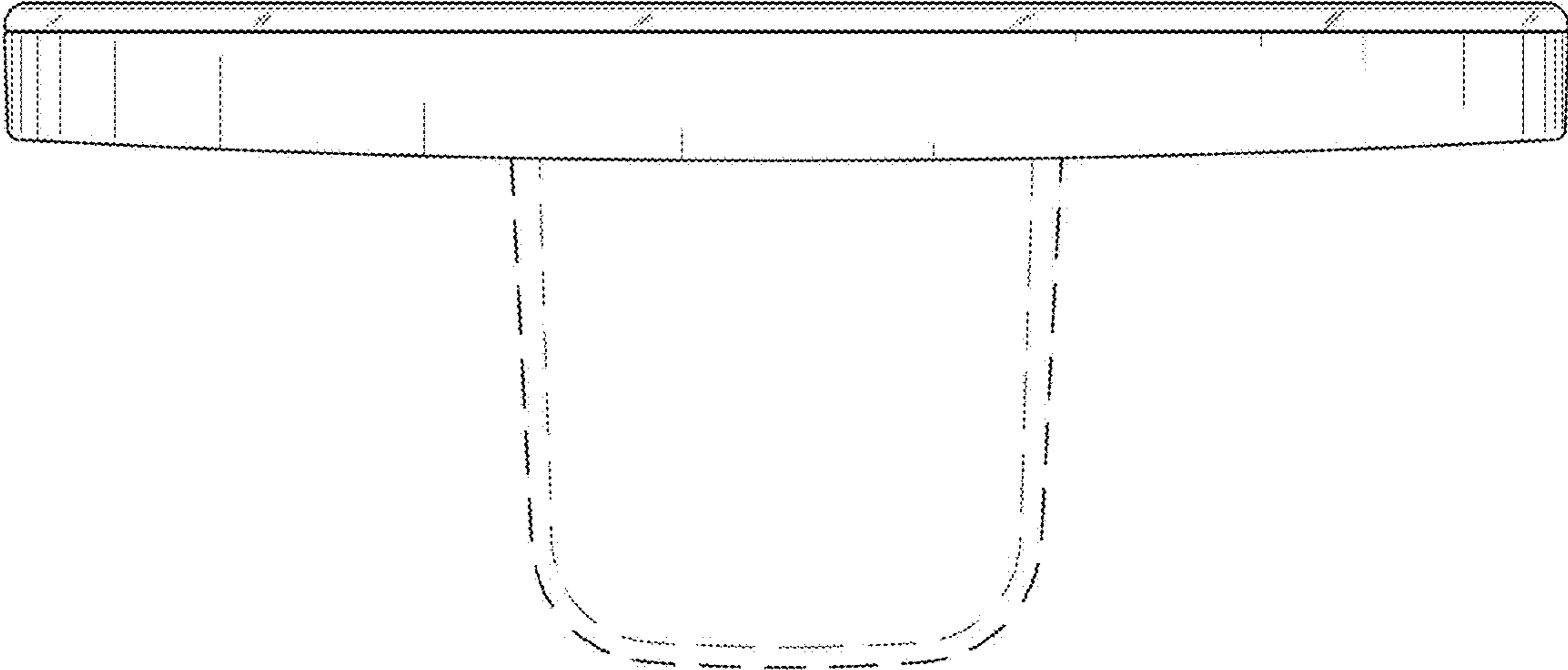
1.2



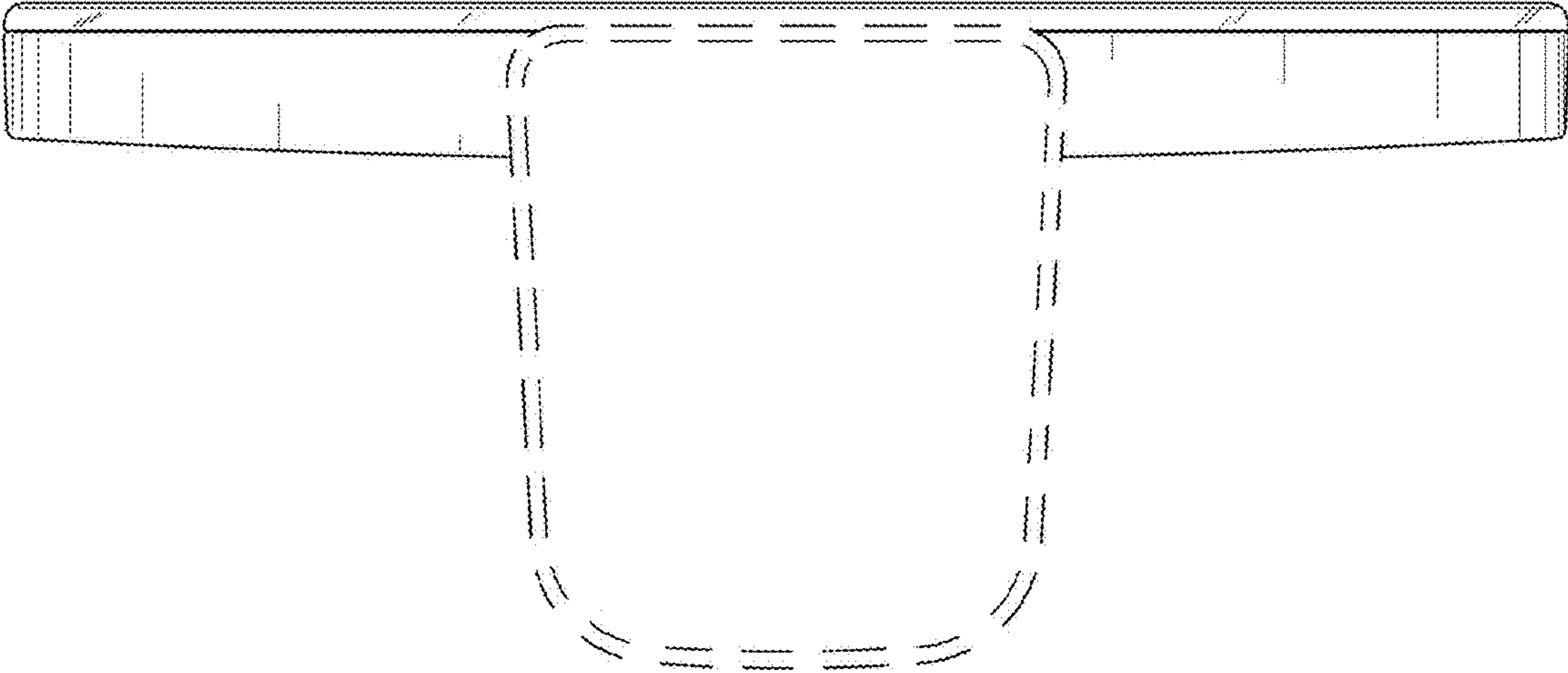
1.3



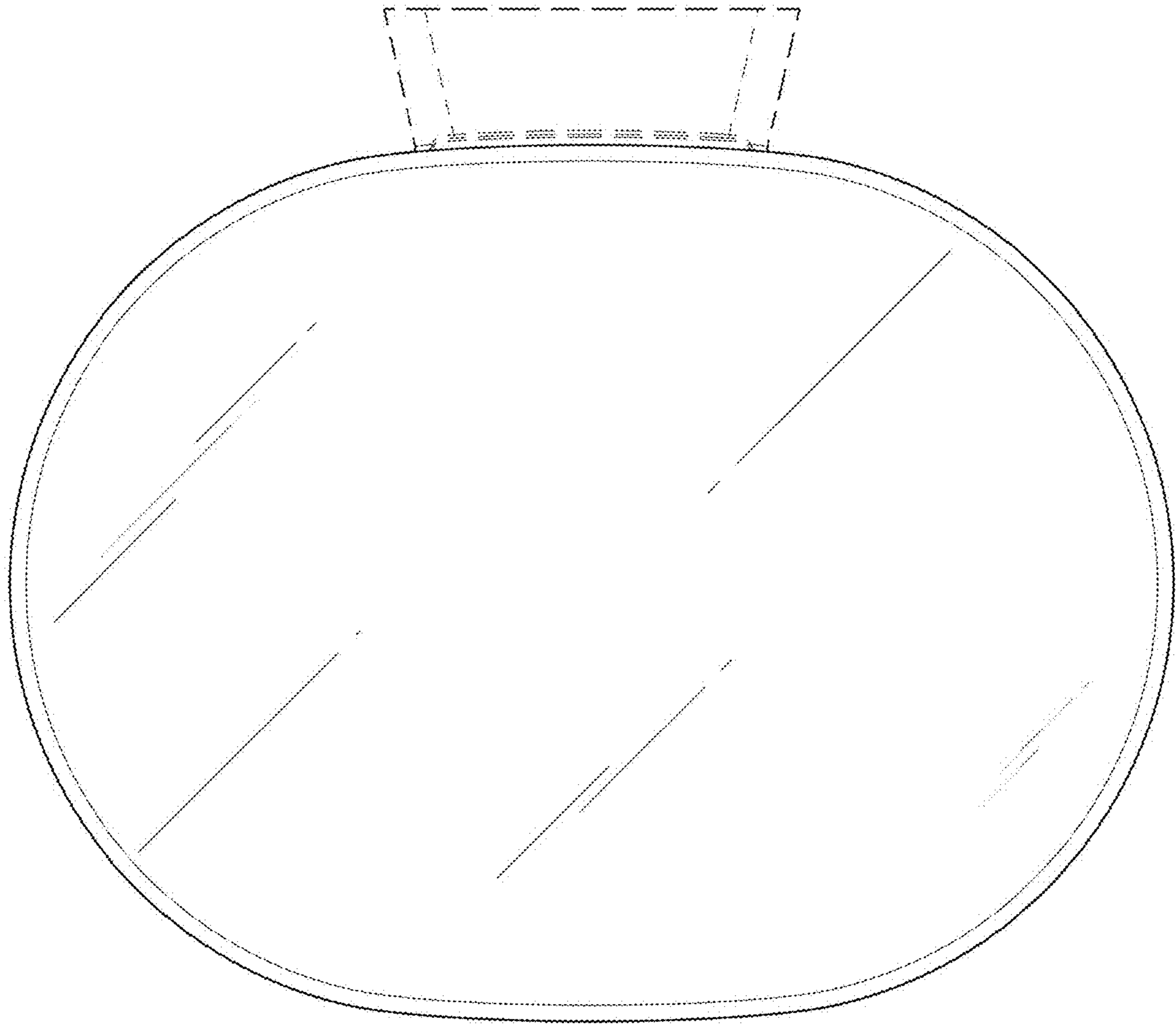
1.4



1.5



1.6



1.7

