



US00D970079S

(12) **United States Design Patent**
Pan

(10) **Patent No.:** **US D970,079 S**

(45) **Date of Patent:** **** Nov. 15, 2022**

(54) **LED LAMP**

(71) Applicant: **SHENZHEN SNC OPTO ELECTRONIC CO., LTD**, Shenzhen (CN)

(72) Inventor: **Nianhua Pan**, Shenzhen (CN)

(73) Assignee: **SHENZHEN SNC OPTO ELECTRONIC CO., LTD**, Shenzhen (CN)

(**) Term: **15 Years**

(21) Appl. No.: **29/728,868**

(22) Filed: **Mar. 23, 2020**

(30) **Foreign Application Priority Data**

Mar. 8, 2020 (CN) 202030074597.0

(51) **LOC (13) Cl.** **26-05**

(52) **U.S. Cl.**
USPC **D26/72; D26/71**

(58) **Field of Classification Search**
USPC D26/67-72, 92
CPC .. F21S 8/085; F21S 8/086; F21S 8/088; F21S 9/022; F21S 9/025; F21S 9/035; F21W 2131/103; F21W 2131/107
See application file for complete search history.

(56) **References Cited**

U.S. PATENT DOCUMENTS

D603,077 S	*	10/2009	Kinnune	D26/85
D636,920 S	*	4/2011	Boissevain	D26/71
D819,859 S	*	6/2018	Zou	D26/92
D843,628 S	*	3/2019	Compton	D26/71
D850,693 S	*	6/2019	Pan	D26/71
D850,694 S	*	6/2019	Pan	D26/71
D869,725 S	*	12/2019	Wang	D26/71
D872,921 S	*	1/2020	Deng	D26/71

(Continued)

OTHER PUBLICATIONS

Arrlux Area Light Aurora-L, available from <<http://www.arrlux.com.cn/product/20252.html>>, visited Aug. 11, 2022. (Year: 2022).*
(Continued)

Primary Examiner — Clare E Heflin

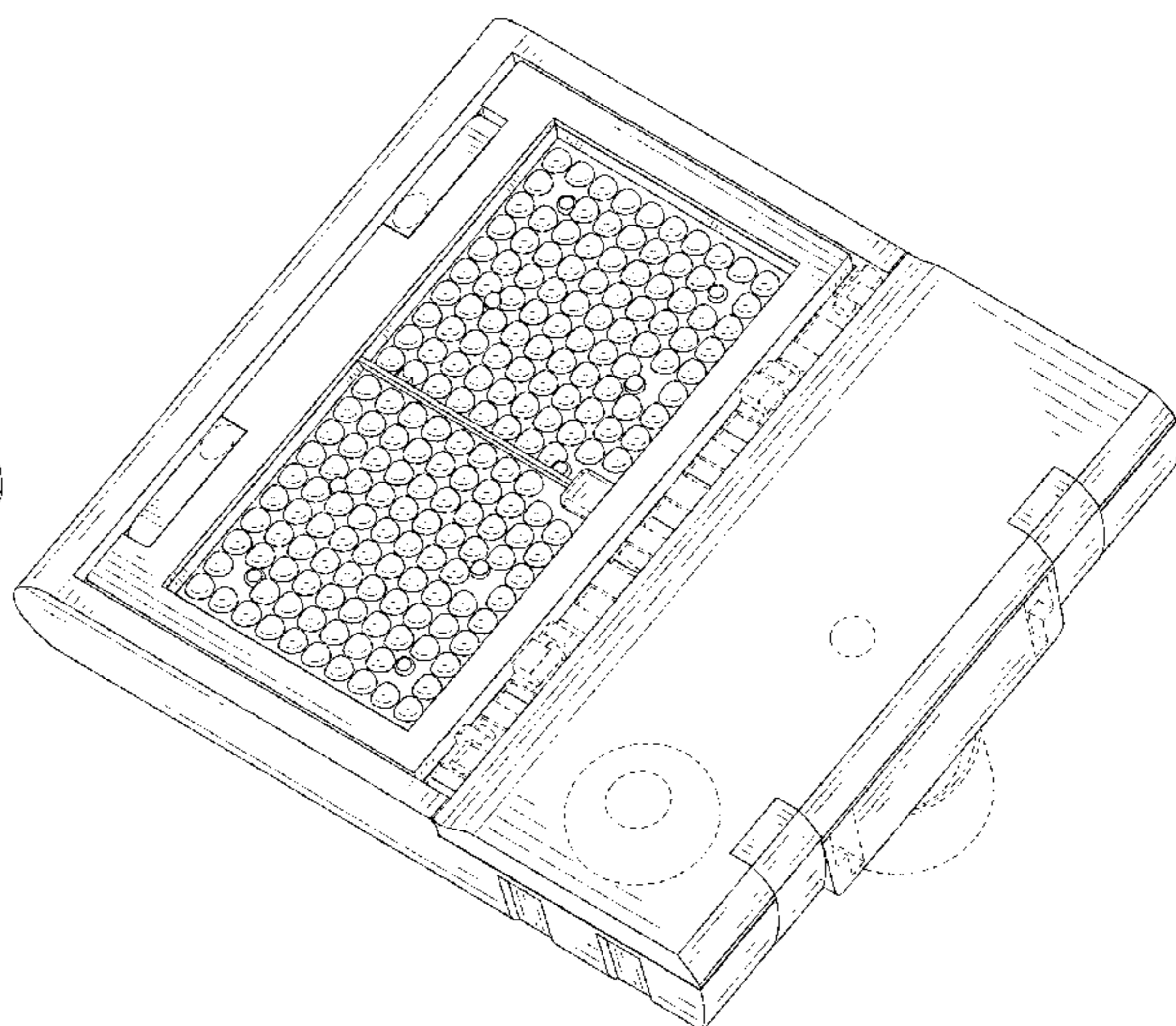
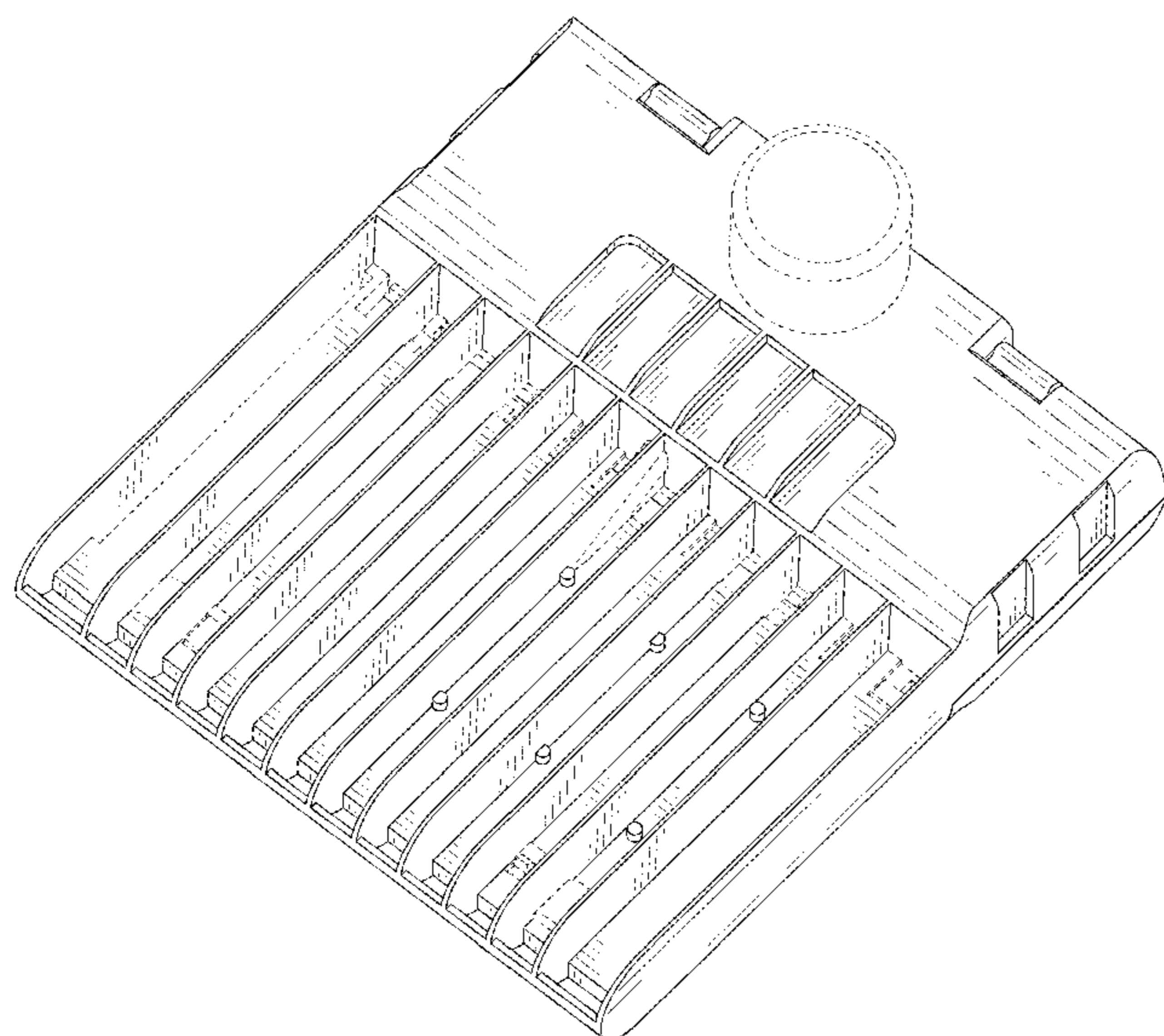
(57) **CLAIM**

The ornamental design for an LED lamp, as shown and described.

DESCRIPTION

FIG. 1 is a front perspective view of an LED lamp in accordance with a first embodiment showing my new design;
FIG. 2 is a rear perspective view thereof;
FIG. 3 is a front elevational view thereof;
FIG. 4 is a rear elevational view thereof;
FIG. 5 is a left side elevational view thereof;
FIG. 6 is a right side elevational view thereof;
FIG. 7 is a top plan view thereof;
FIG. 8 is a bottom plan view thereof;
FIG. 9 is a front perspective view of the LED lamp in accordance with a second embodiment;
FIG. 10 is a rear perspective view thereof;
FIG. 11 is a front elevational view thereof;
FIG. 12 is a rear elevational view thereof;
FIG. 13 is a left side elevational view thereof;
FIG. 14 is a right side elevational view thereof;
FIG. 15 is a top plan view thereof;
FIG. 16 is a bottom plan view thereof;
FIG. 17 is an enlarged view of a circled portion 17 of FIG. 9; and,
FIG. 18 is an enlarged view of a circled portion 18 of FIG. 10.
The broken lines in the drawings depict portions of the LED lamp that form no part of the claimed design.

1 Claim, 18 Drawing Sheets



(56)

References Cited

U.S. PATENT DOCUMENTS

D905,314 S * 12/2020 Pan D26/71
2017/0030570 A1* 2/2017 Yang F21V 29/763
2017/0307197 A1* 10/2017 Clark H05B 45/30

OTHER PUBLICATIONS

Xeyou 200W LED Parking Lot Light, Manufacturer Part No.
5844993. Available from walmart.com, visited Aug. 11, 2022.
(Year: 2022).*

* cited by examiner

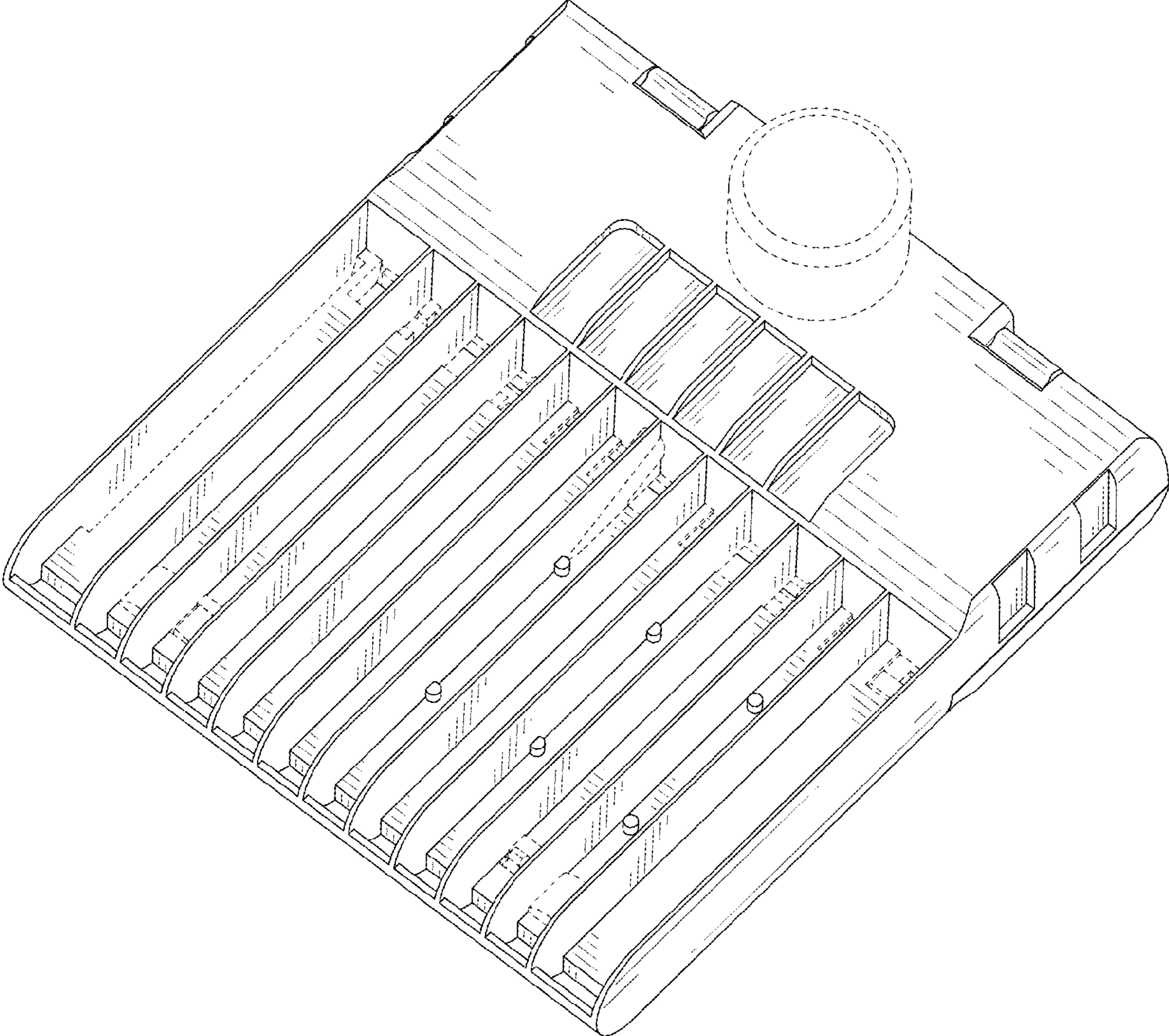


FIG. 1

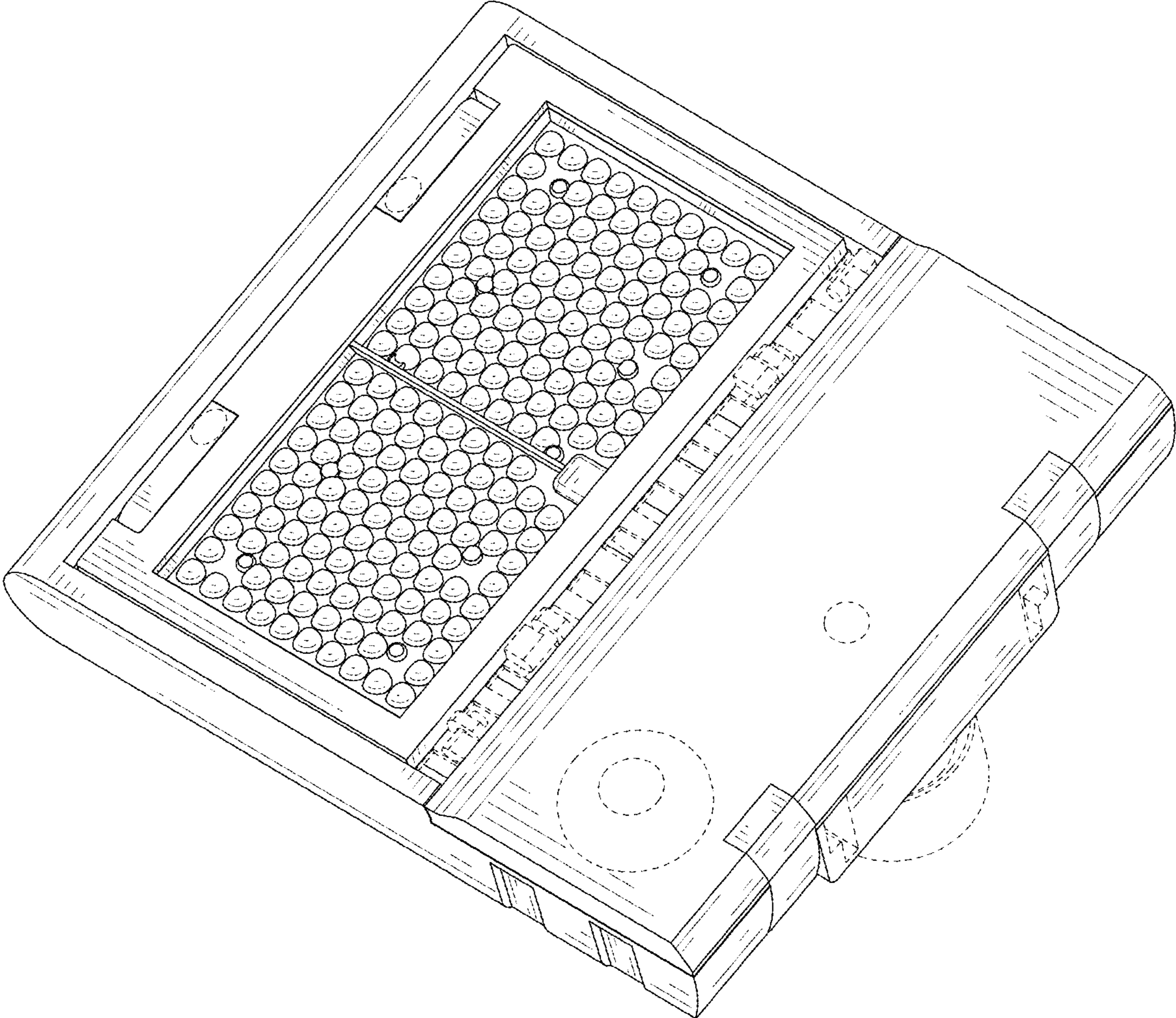


FIG. 2

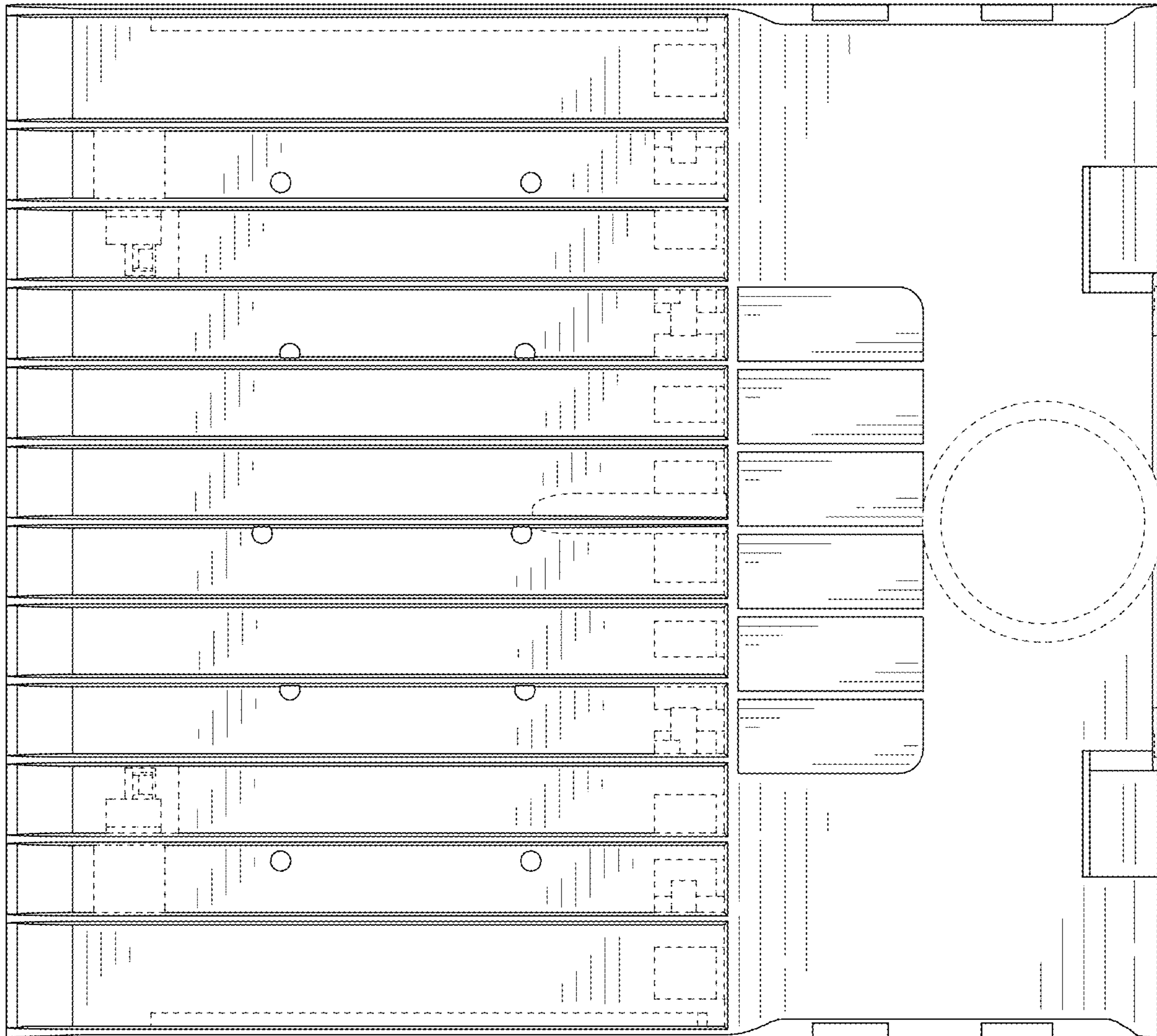


FIG. 3

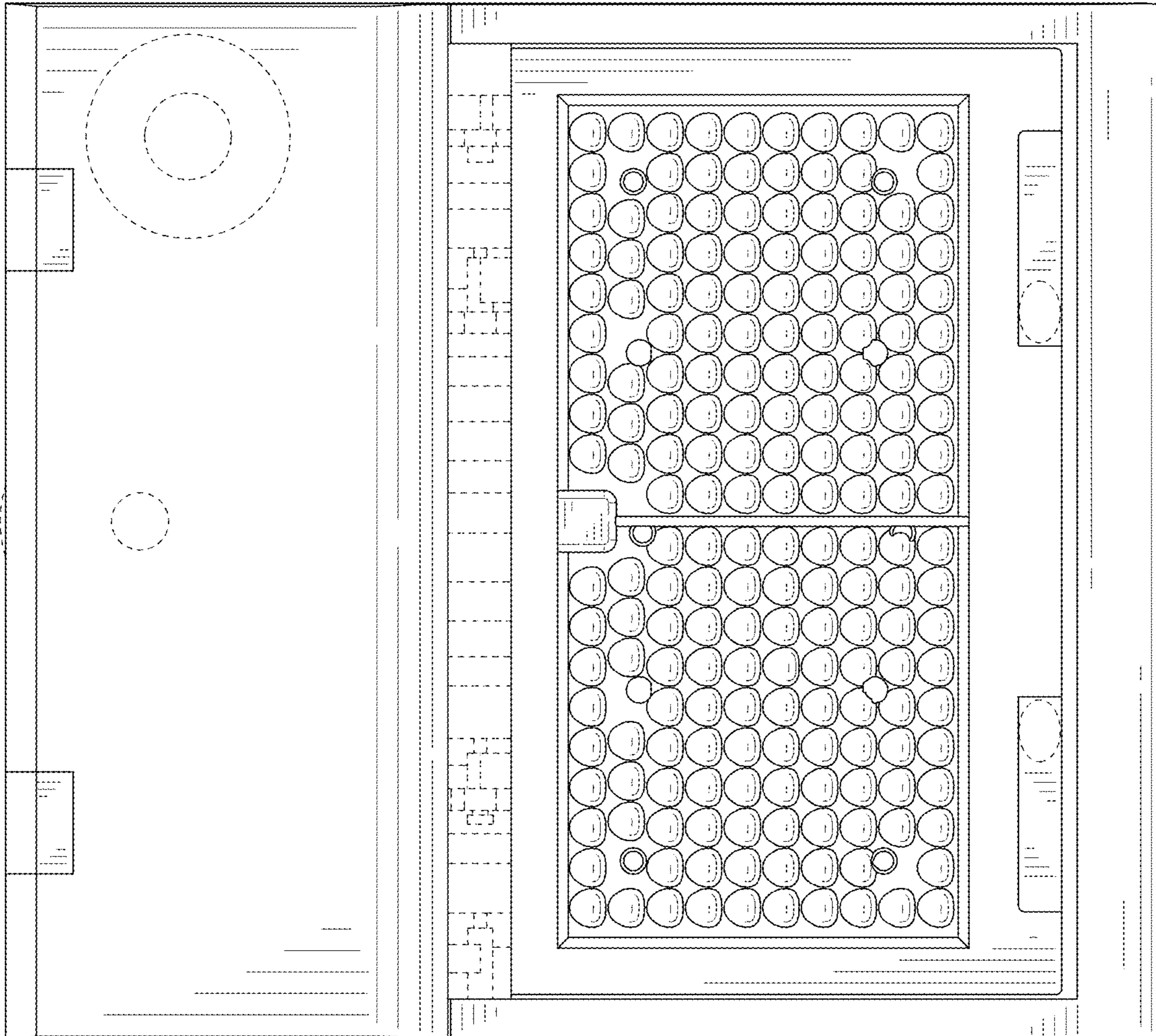


FIG. 4

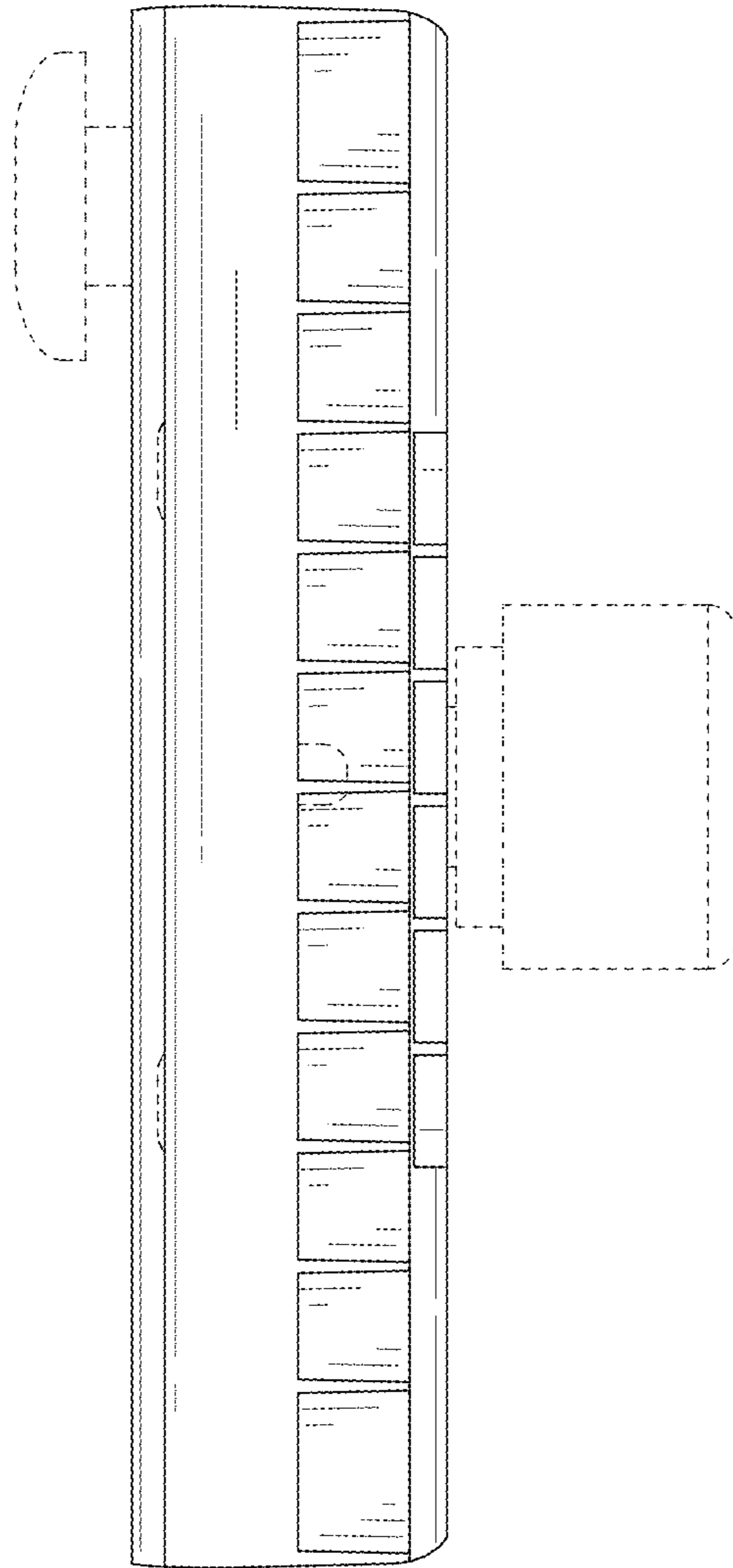


FIG. 5

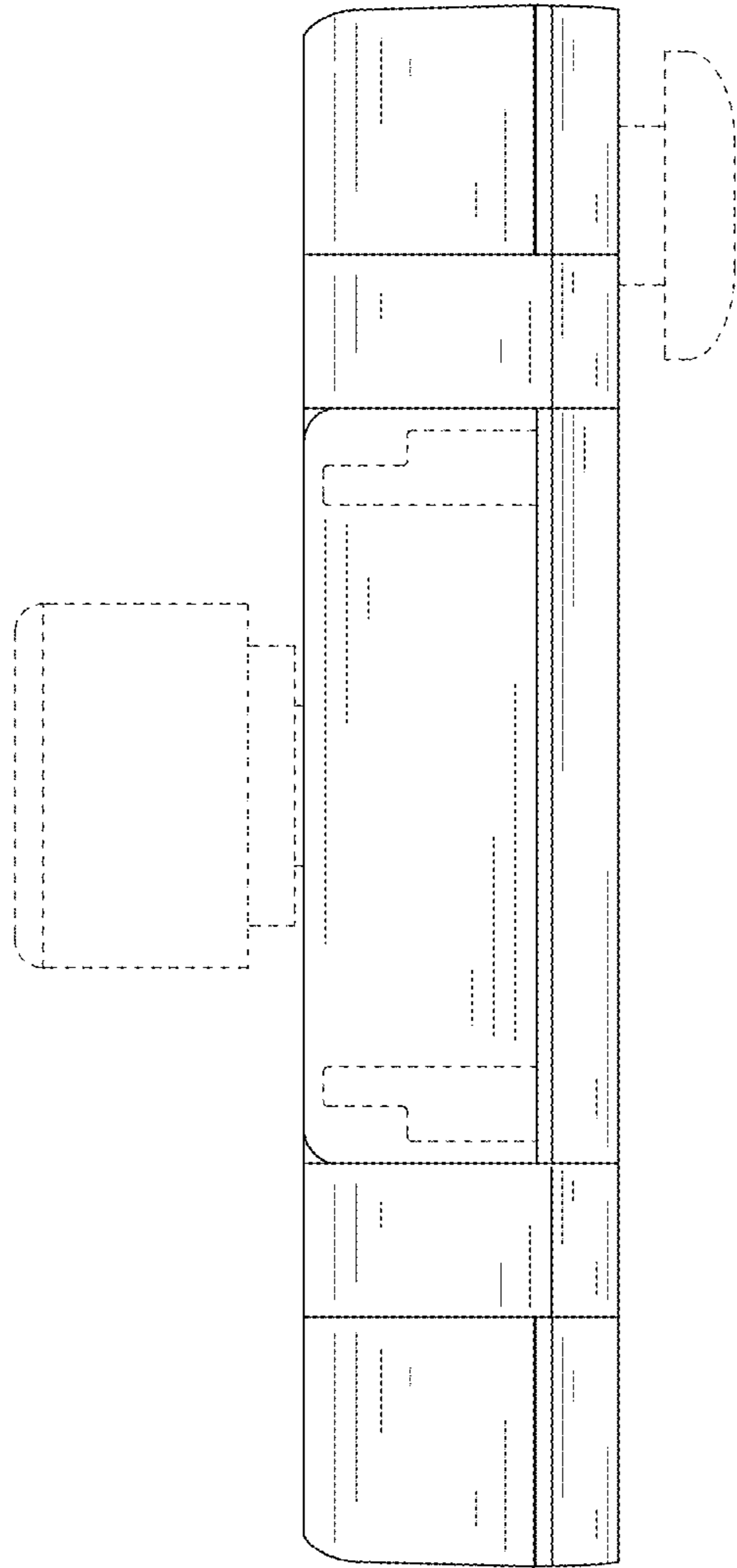


FIG. 6

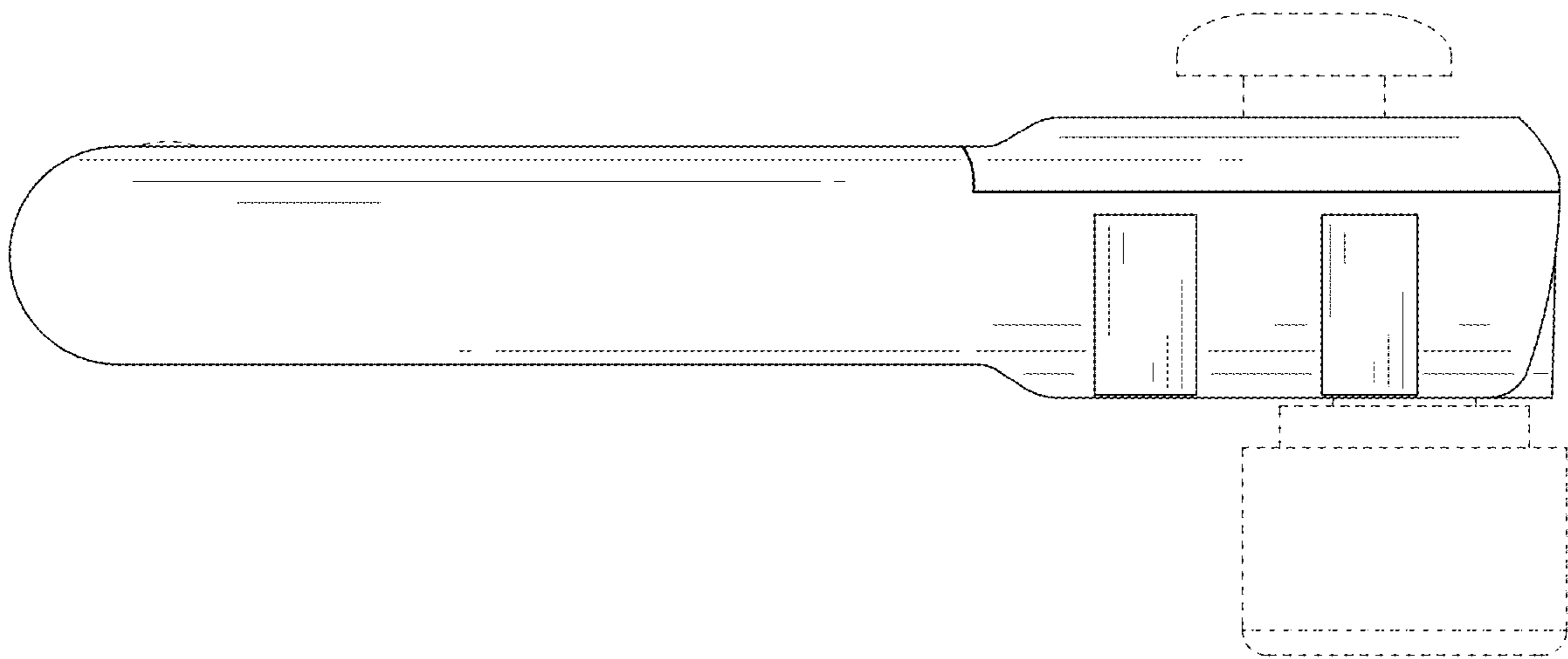


FIG. 7

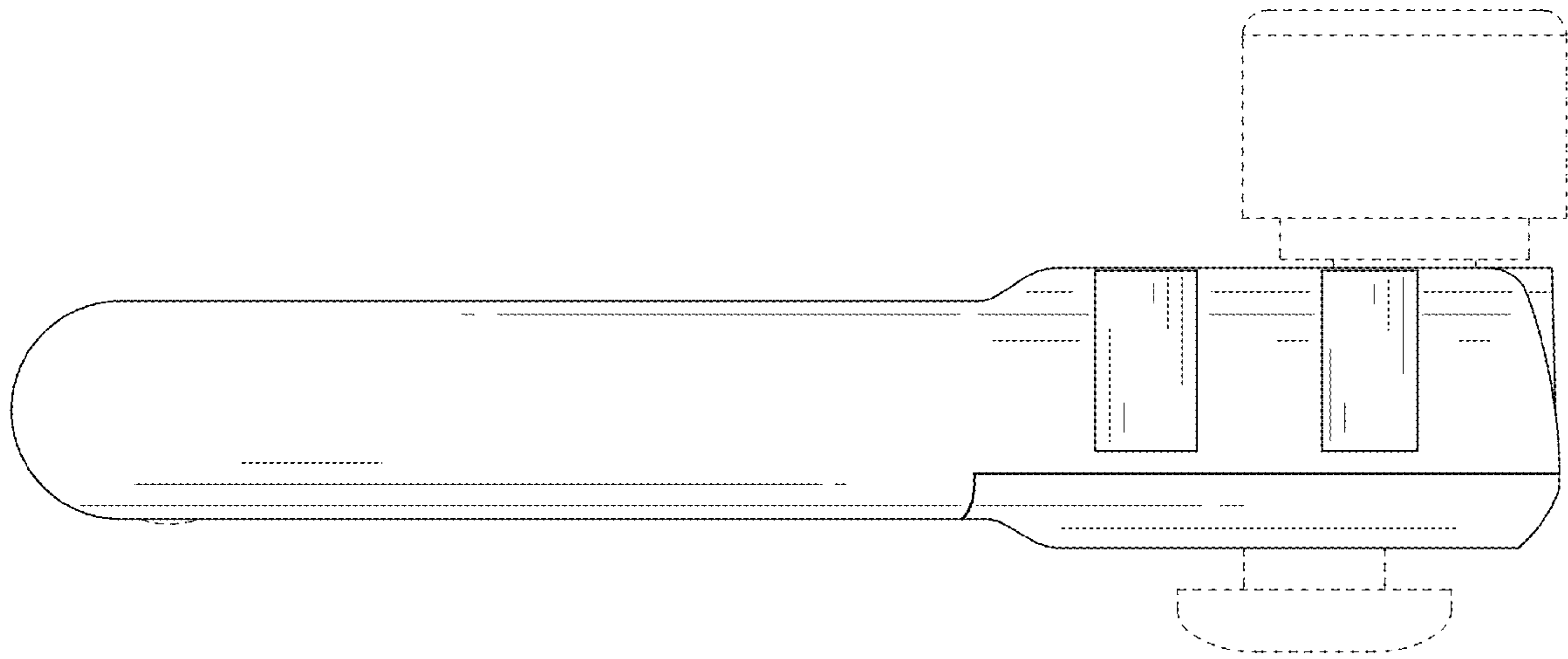


FIG. 8

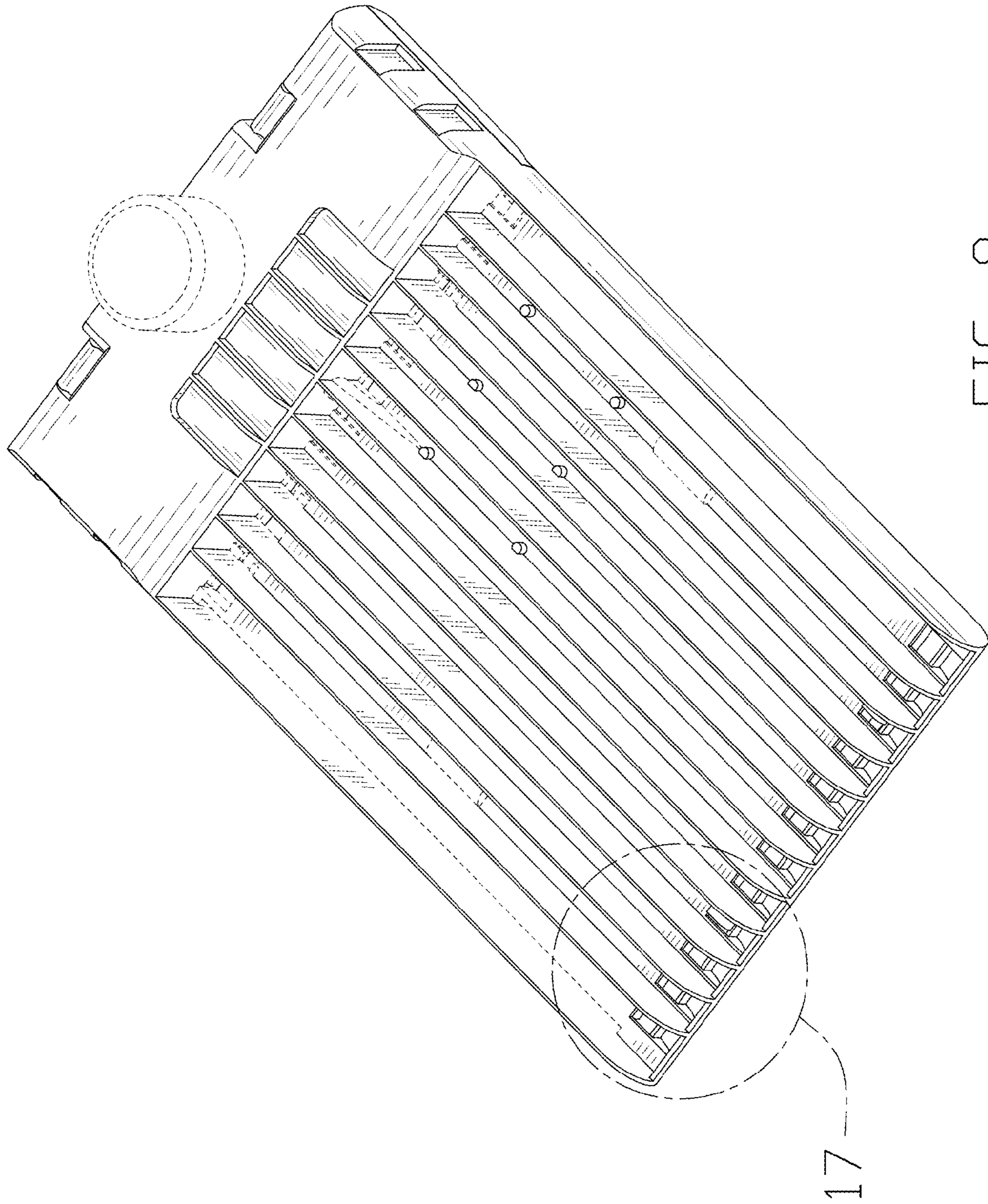


FIG. 9

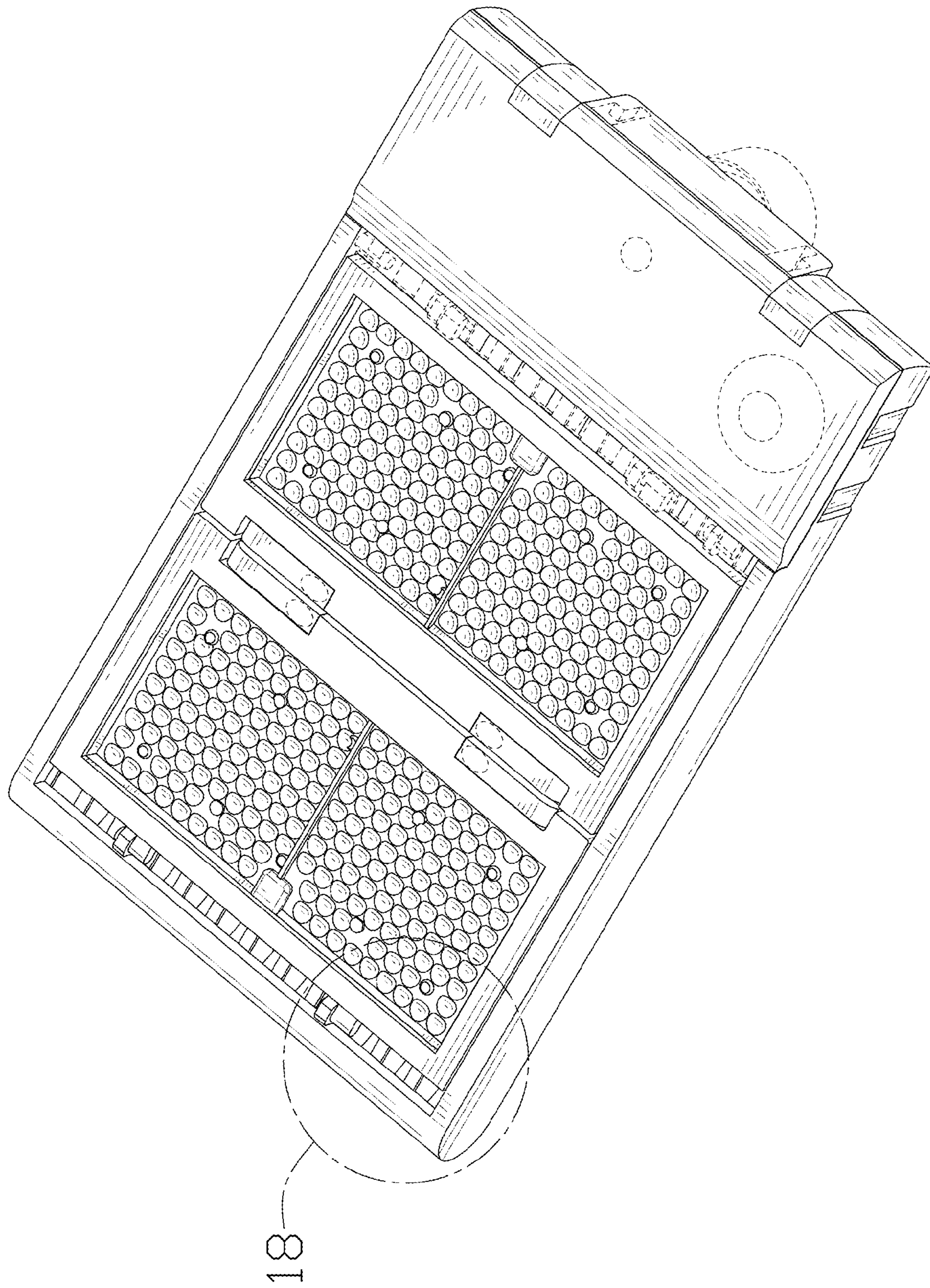


FIG. 10

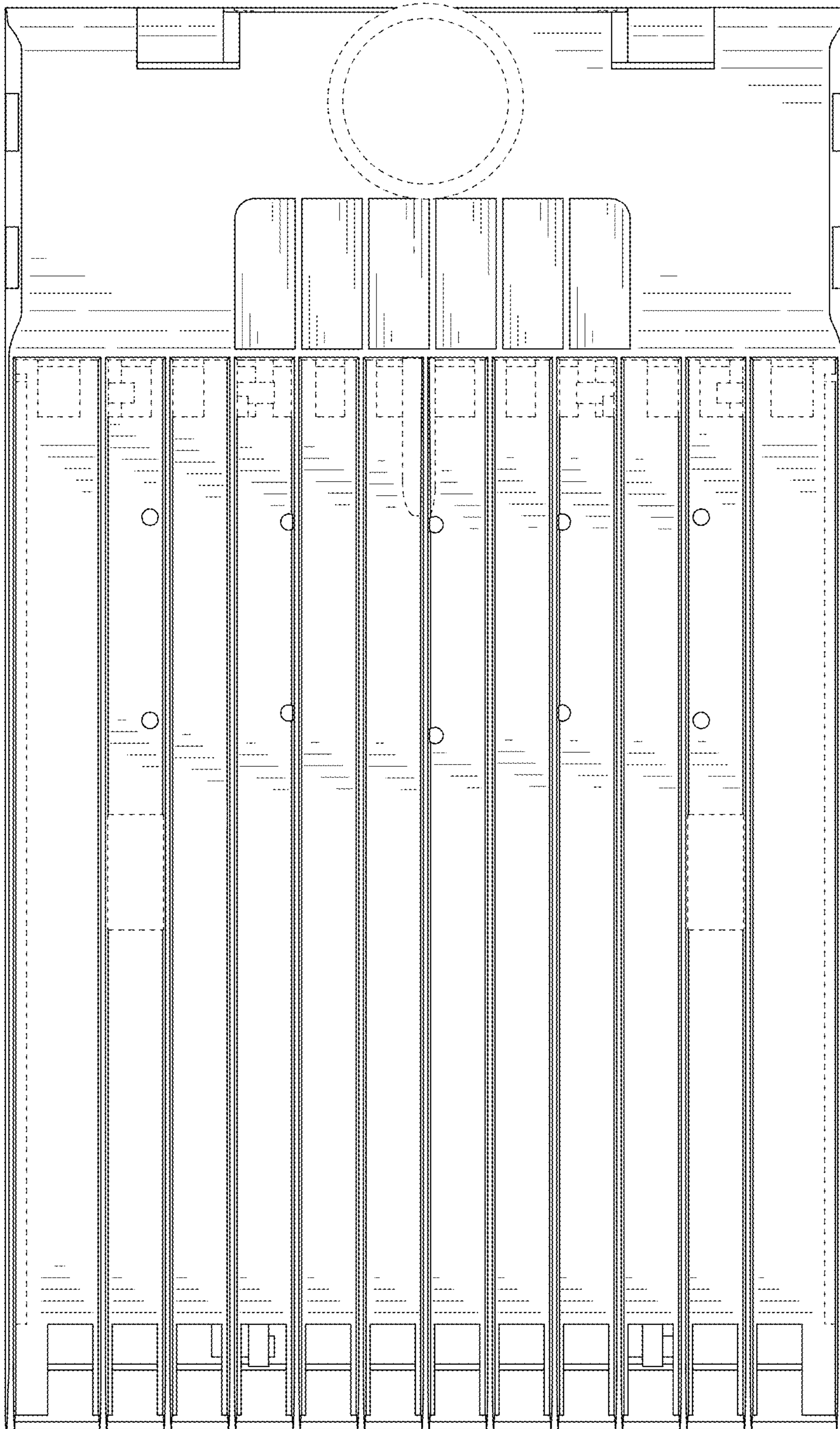


FIG. 11

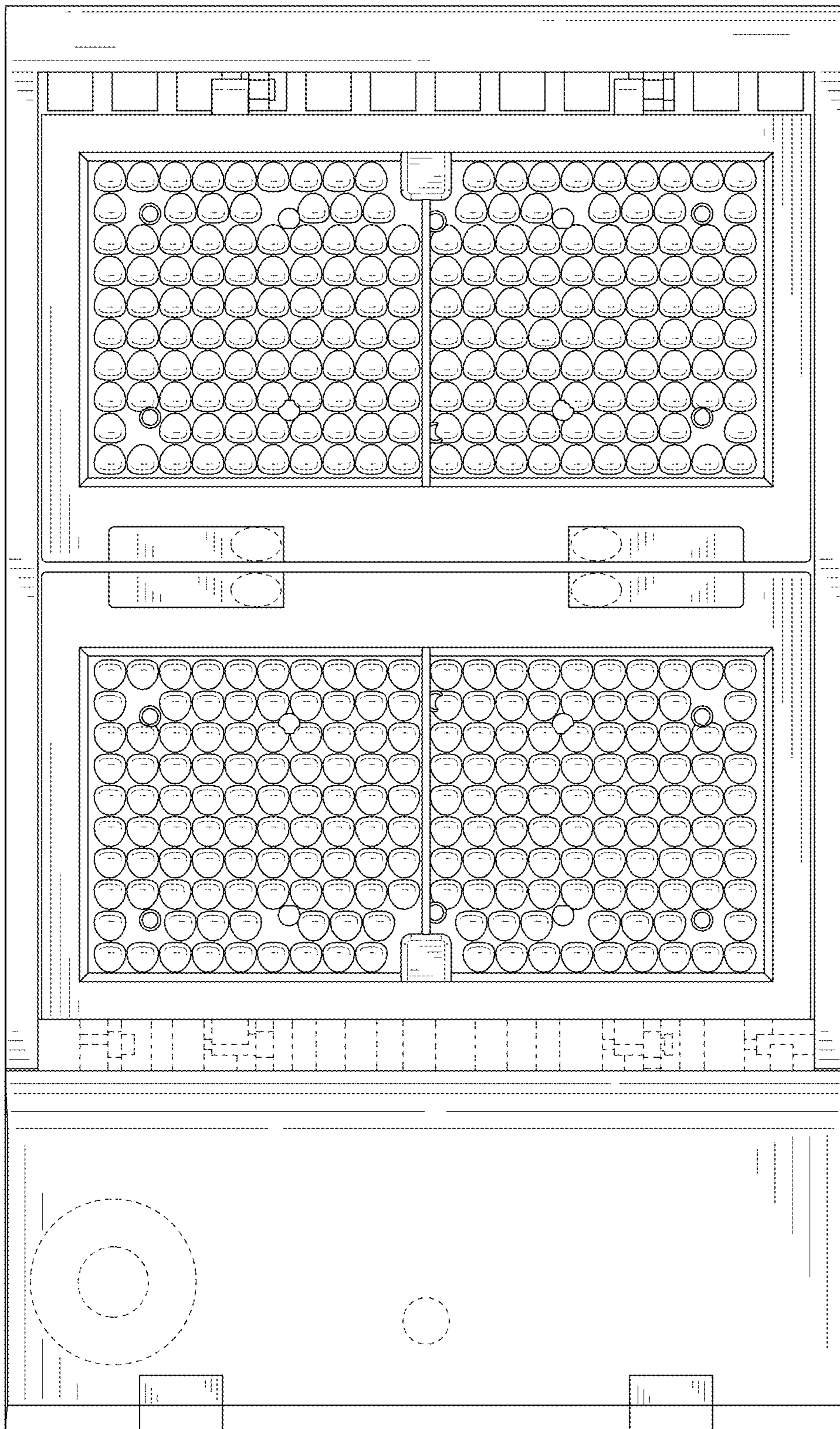


FIG. 12

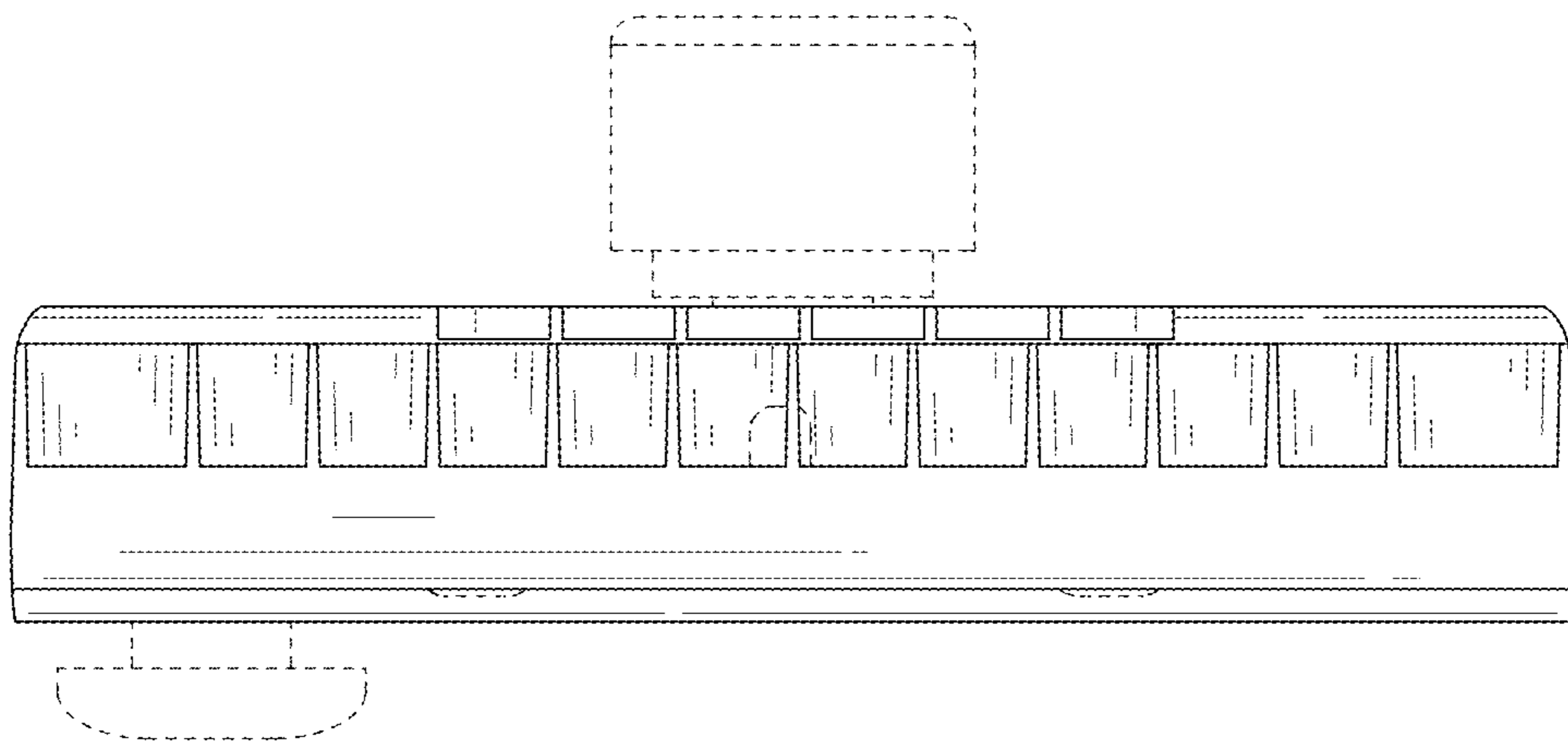


FIG. 13

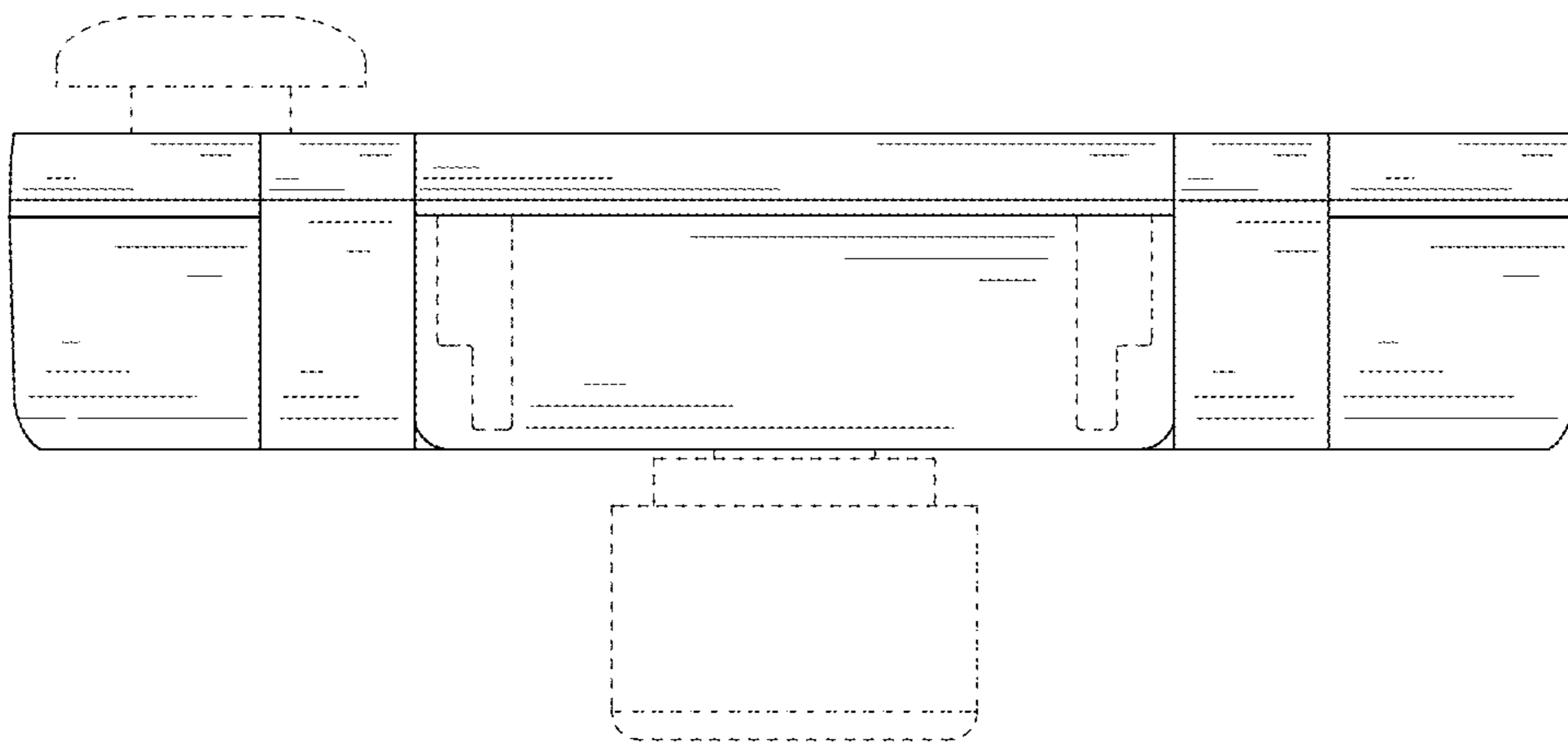


FIG. 14

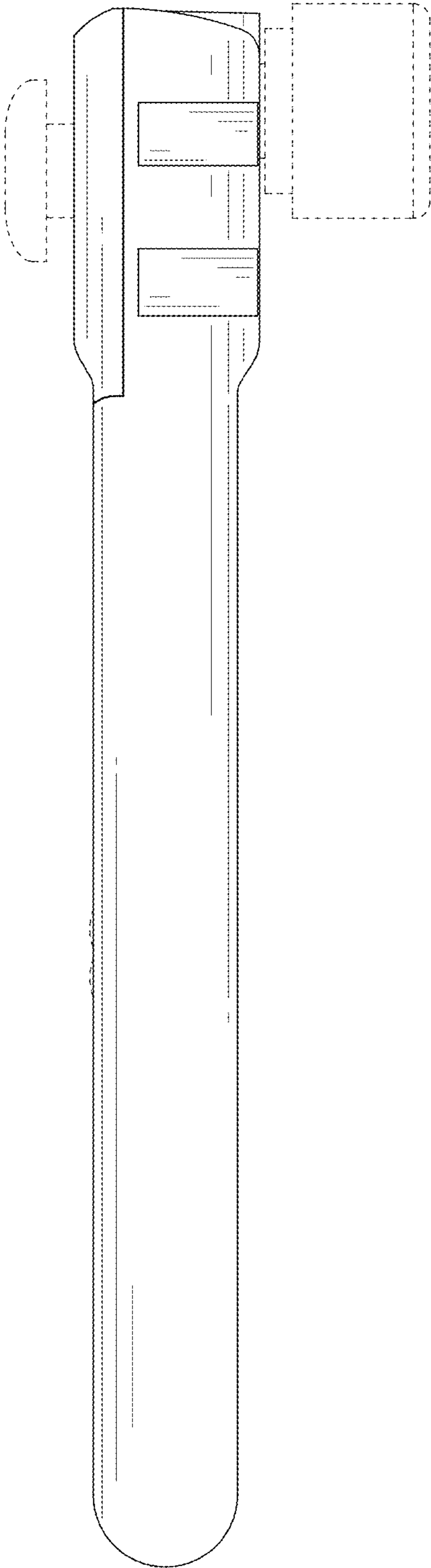


FIG. 15

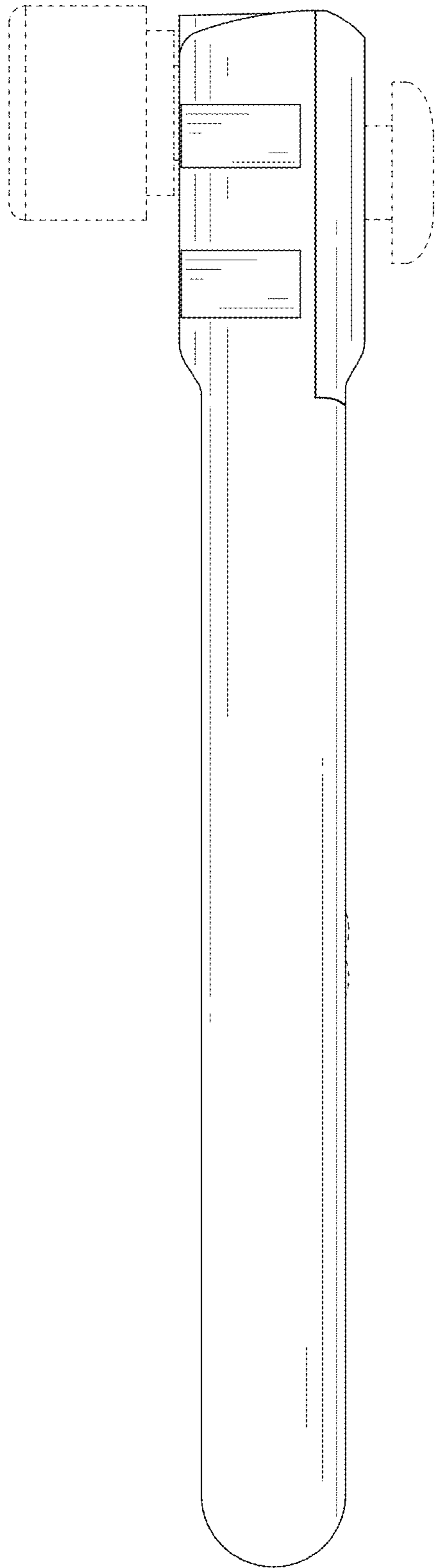


FIG. 16

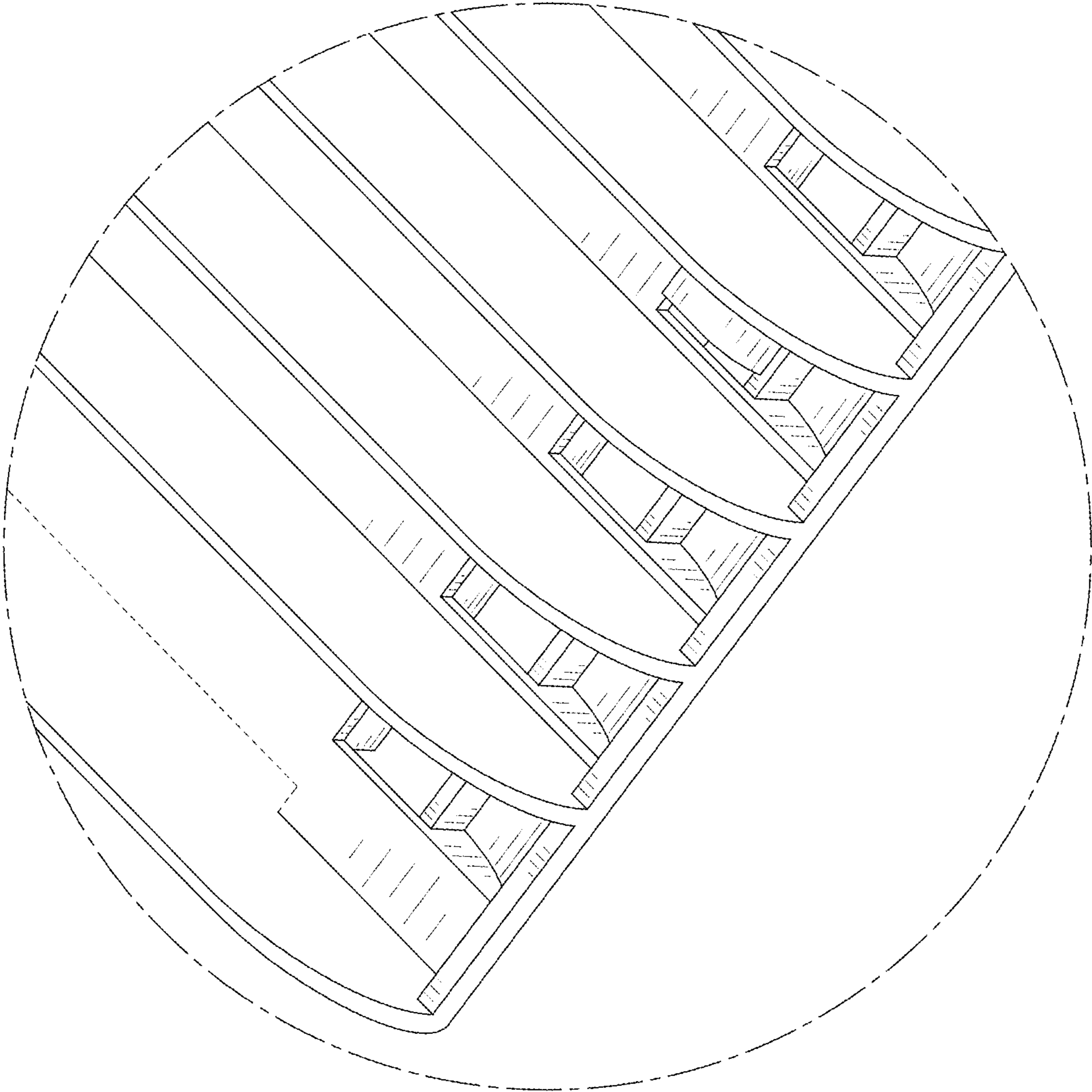


FIG. 17

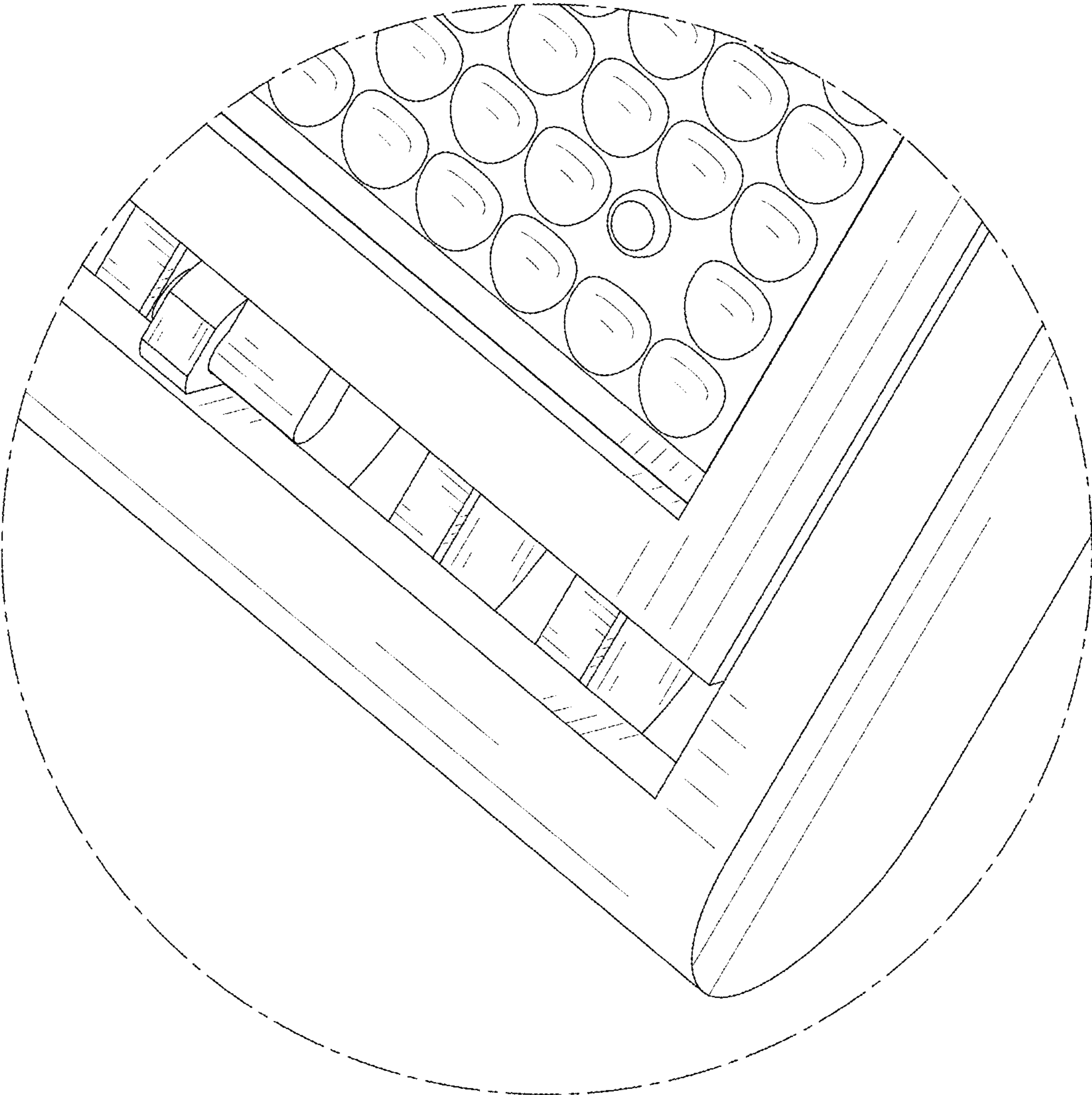


FIG. 18