

US00D970077S

(12) **United States Design Patent** (10) **Patent No.:** **US D970,077 S**  
**Jin** (45) **Date of Patent:** **\*\* Nov. 15, 2022**

(54) **LASER PROJECTION LAMP**

FOREIGN PATENT DOCUMENTS

(71) Applicant: **NINGBO KAISHENG ELECTRICAL APPLIANCE CO., LTD**, Ningbo (CN)

CN 306780478 \* 8/2021  
EM 008546048-0001 \* 5/2021

(72) Inventor: **Jianjun Jin**, Ningbo (CN)

OTHER PUBLICATIONS

(73) Assignee: **NINGBO KAISHENG ELECTRICAL APPLIANCE CO., LTD**, Ningbo (CN)

Eurolite, Las-17 Ip Solar Garden Laser Dot Rg, published at <https://simplysoundandlighting.co.uk> [retrieved on Aug. 23, 2022]. Retrieved from the internet: <URL: <https://www.simplysoundandlighting.co.uk/eurolite-las-17-ip-solar-garden-laser-dot-rg>> (Year: 2022).\*

(\*\*) Term: **15 Years**

\* cited by examiner

(21) Appl. No.: **29/784,507**

*Primary Examiner* — Cary M Robinson  
*Assistant Examiner* — Julie Marie Bailey

(22) Filed: **May 19, 2021**

(51) **LOC (13) Cl.** ..... **26-03**

(52) **U.S. Cl.**

USPC ..... **D26/67**

(58) **Field of Classification Search**

USPC ..... D26/61, 63, 67, 68, 113, 118  
CPC .. F21S 8/081; F21S 8/083; F21S 8/088; F21S 9/03; F21S 9/035; F21S 9/037; F21V 21/0824; F21W 2111/023; F21W 2131/109

See application file for complete search history.

(57) **CLAIM**

The ornamental design for a laser projection lamp, as shown and described.

**DESCRIPTION**

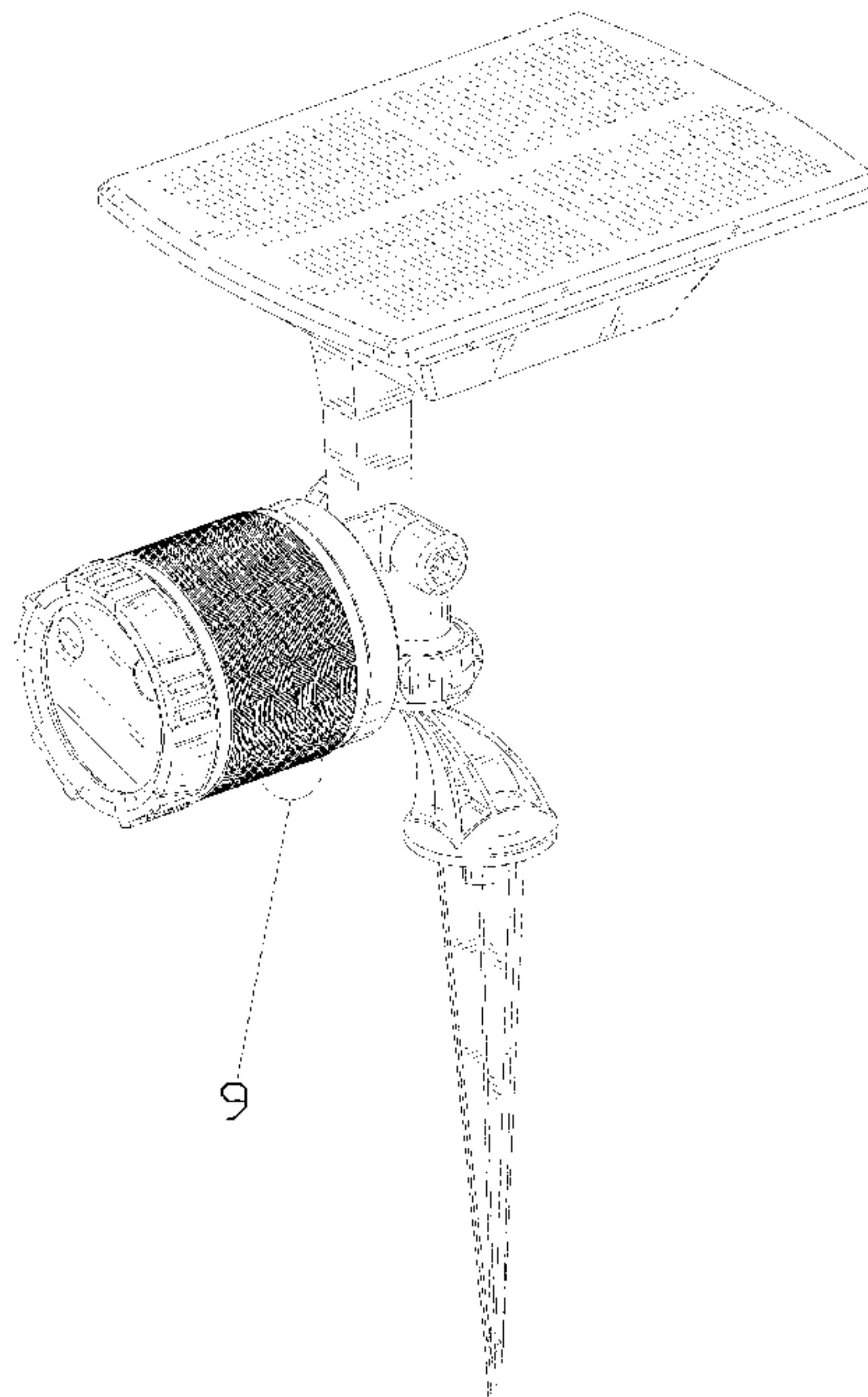
FIG. 1 is a perspective view of a laser projection lamp showing my new design; FIG. 2 is another perspective view thereof; FIG. 3 is a front elevational view thereof; FIG. 4 is a rear elevational view thereof; FIG. 5 is a left side elevational view thereof; FIG. 6 is a right side elevational view thereof; FIG. 7 is a top plan view thereof; FIG. 8 is a bottom plan view thereof; and, FIG. 9 is an enlarged view of portion 9 shown in FIG. 1. The broken lines in the drawings depict portions of the laser projection lamp that form no part of the claimed design.

(56) **References Cited**

U.S. PATENT DOCUMENTS

D791,381 S \* 7/2017 Chang ..... F21V 21/0824 D26/63  
D816,263 S \* 4/2018 Chang ..... D26/63  
D841,858 S \* 2/2019 Deng ..... D26/68  
D883,547 S \* 5/2020 Li ..... D26/63  
D915,654 S \* 4/2021 Hsu ..... D26/63  
D919,153 S \* 5/2021 Huang ..... D26/63  
2018/0283657 A1 \* 10/2018 Xiong ..... F21V 21/0824

**1 Claim, 9 Drawing Sheets**



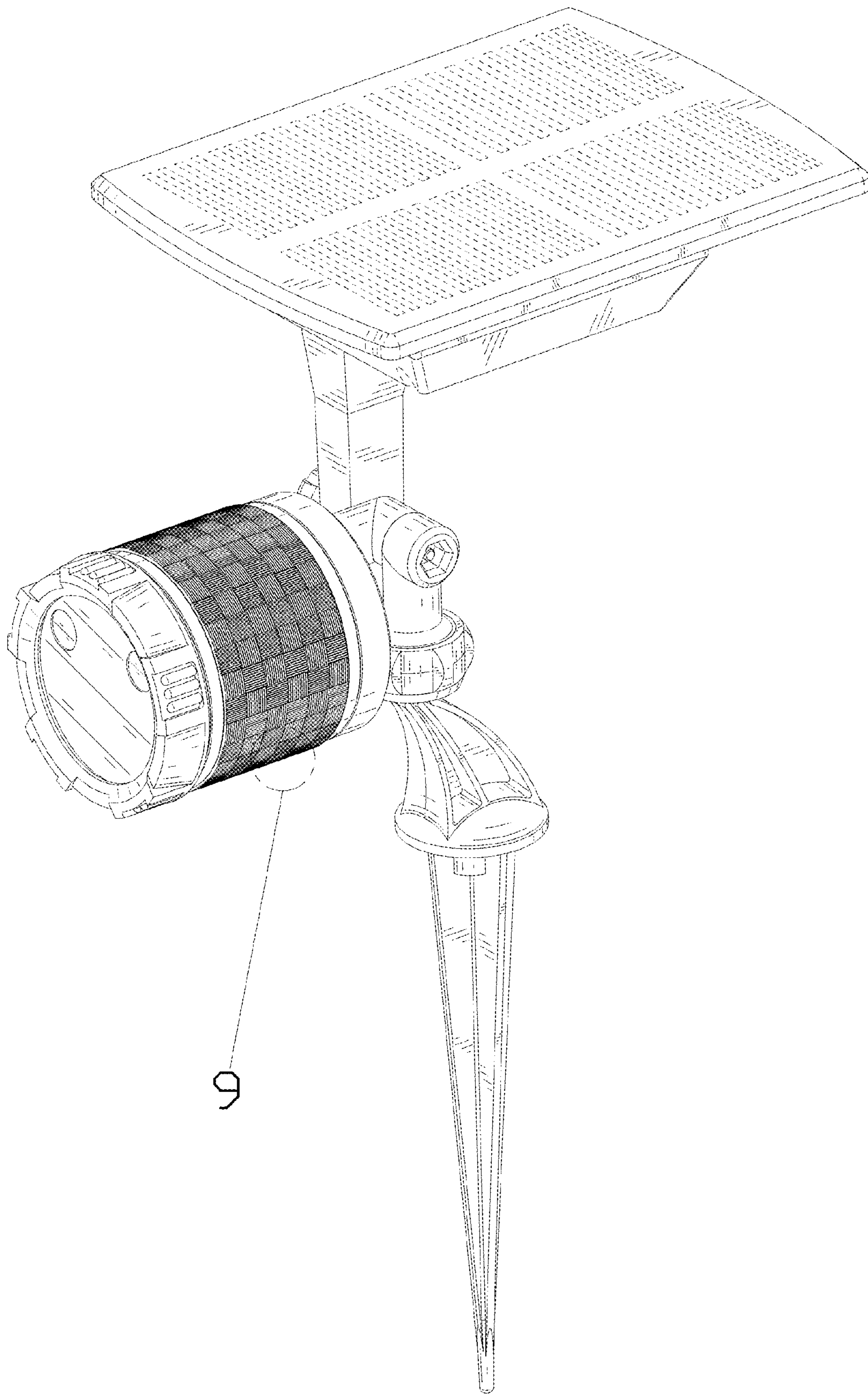


FIG. 1



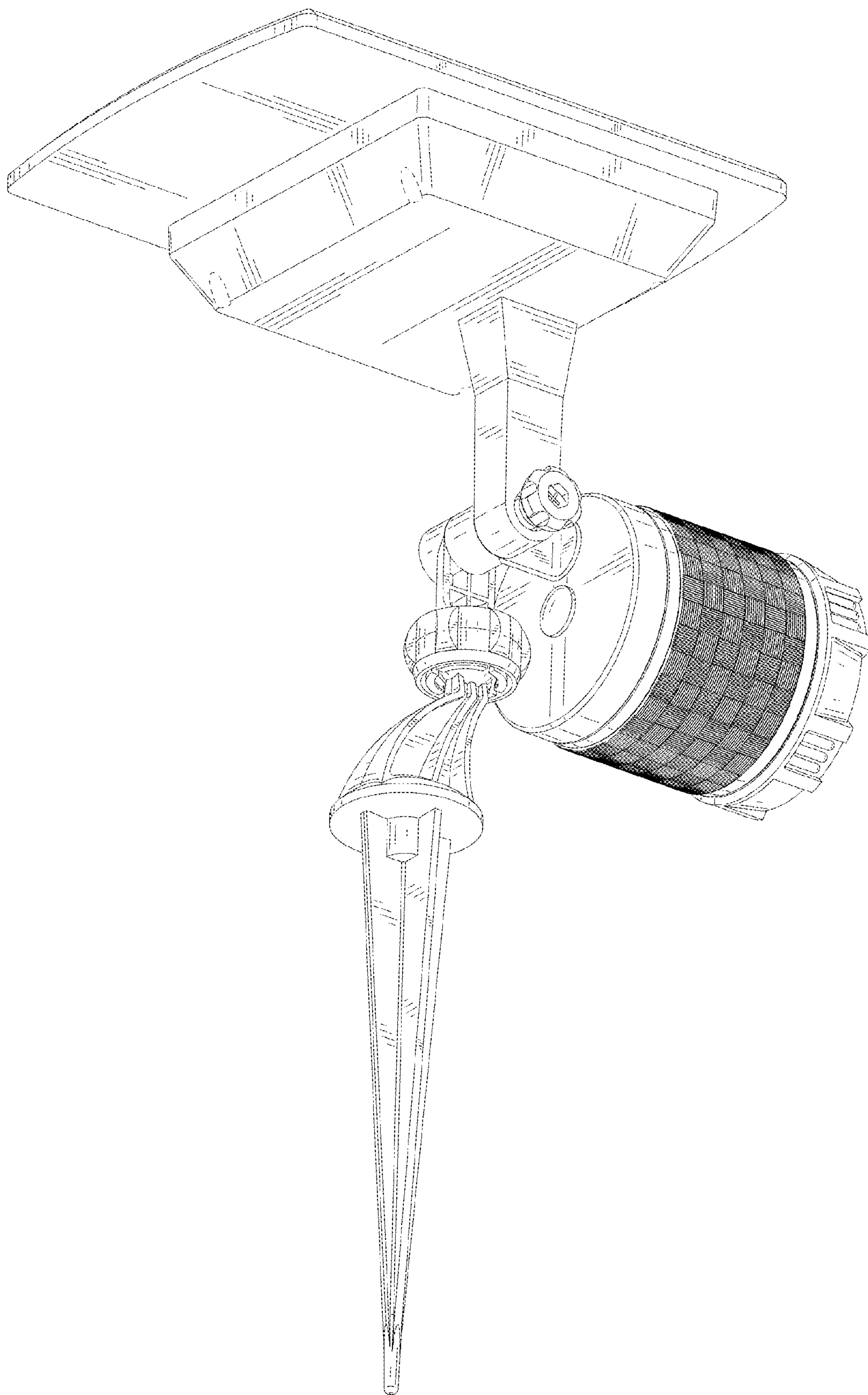


FIG. 2

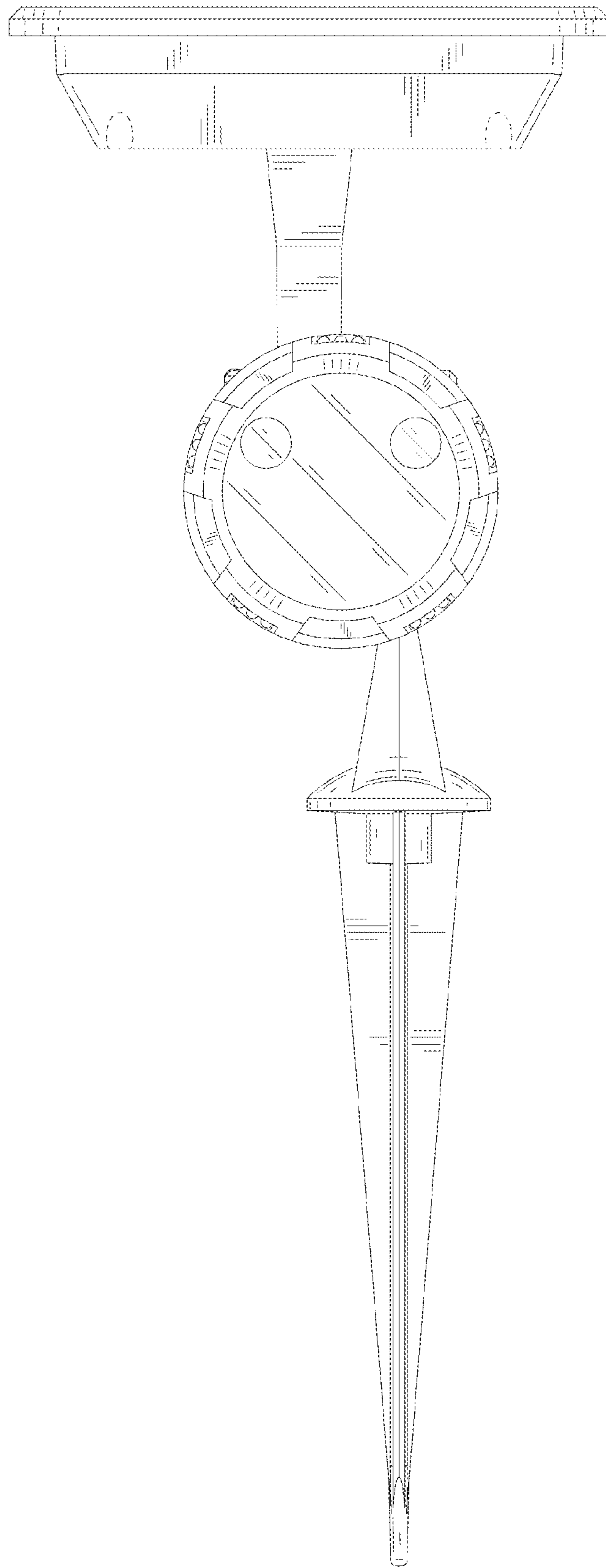


FIG. 3

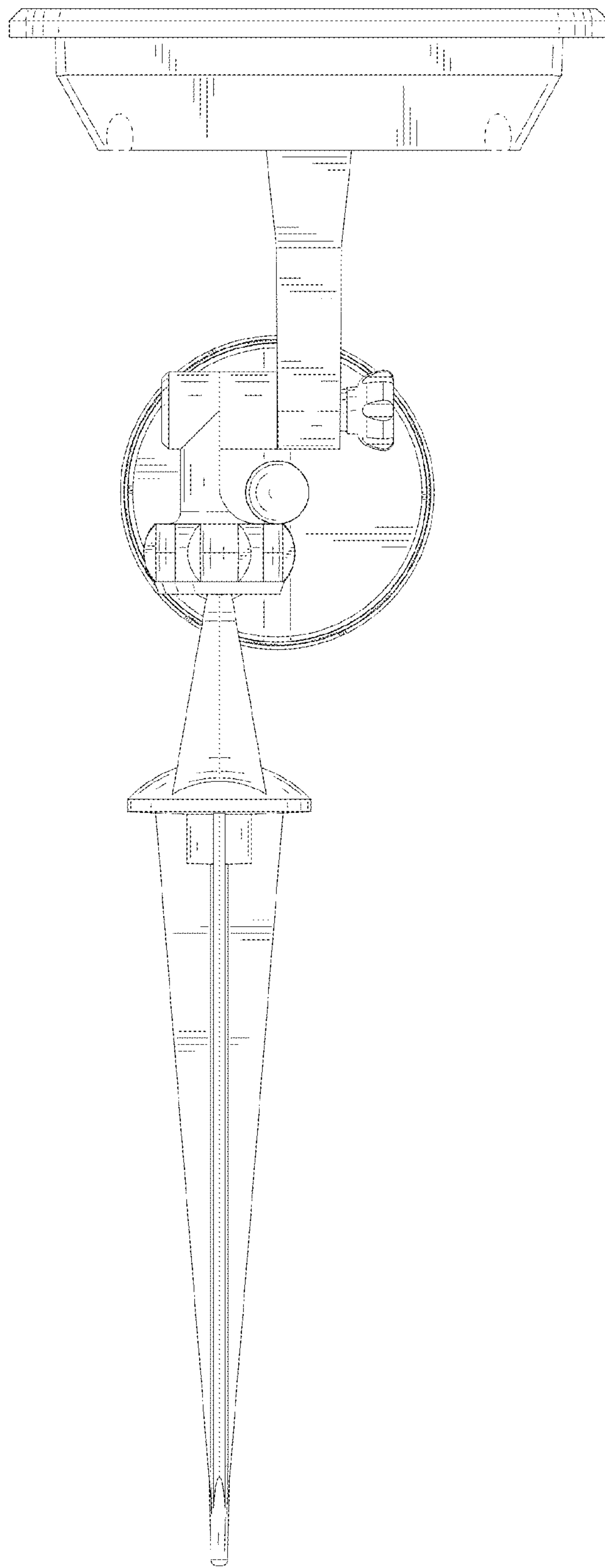


FIG. 4

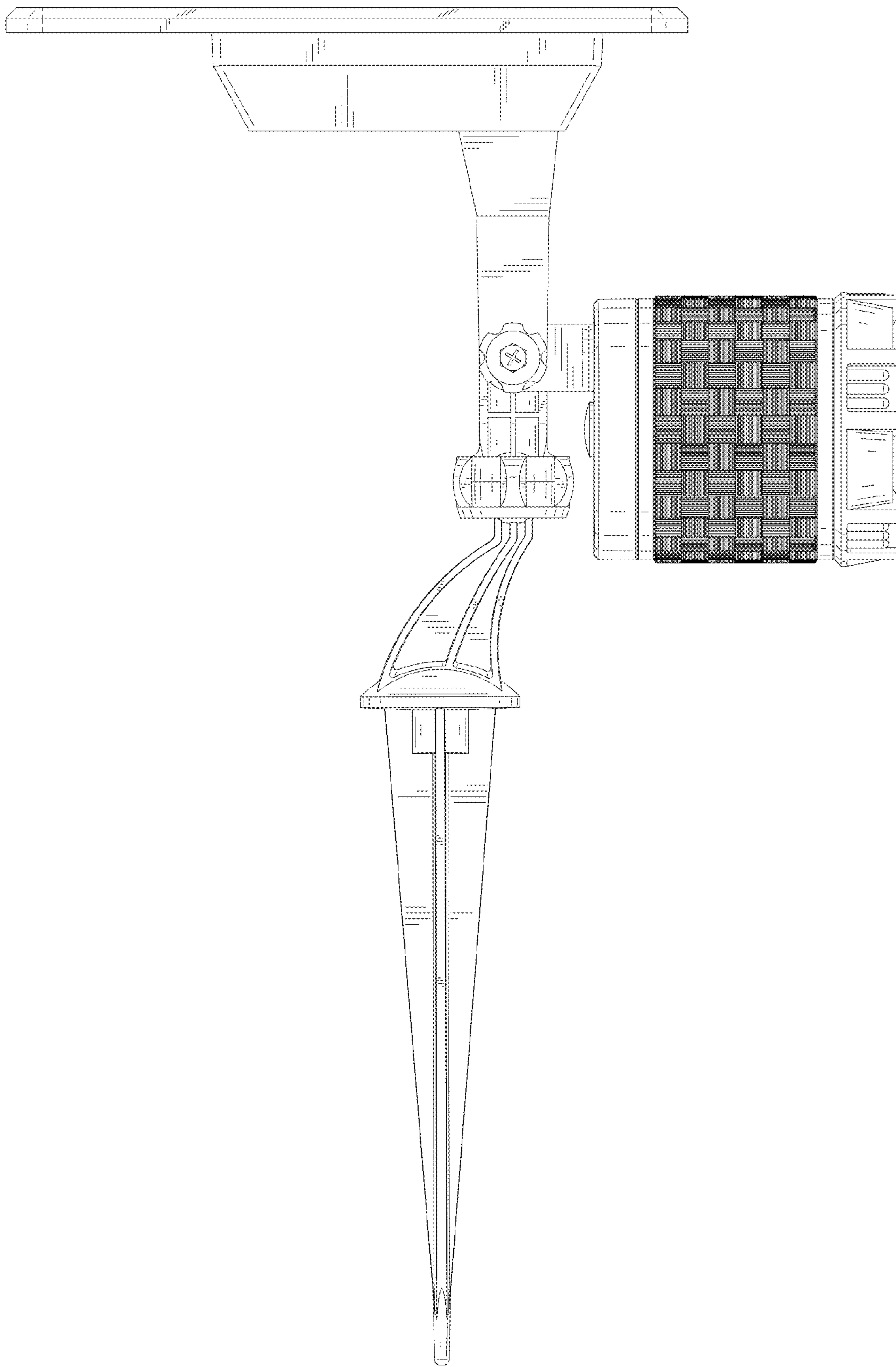


FIG. 5

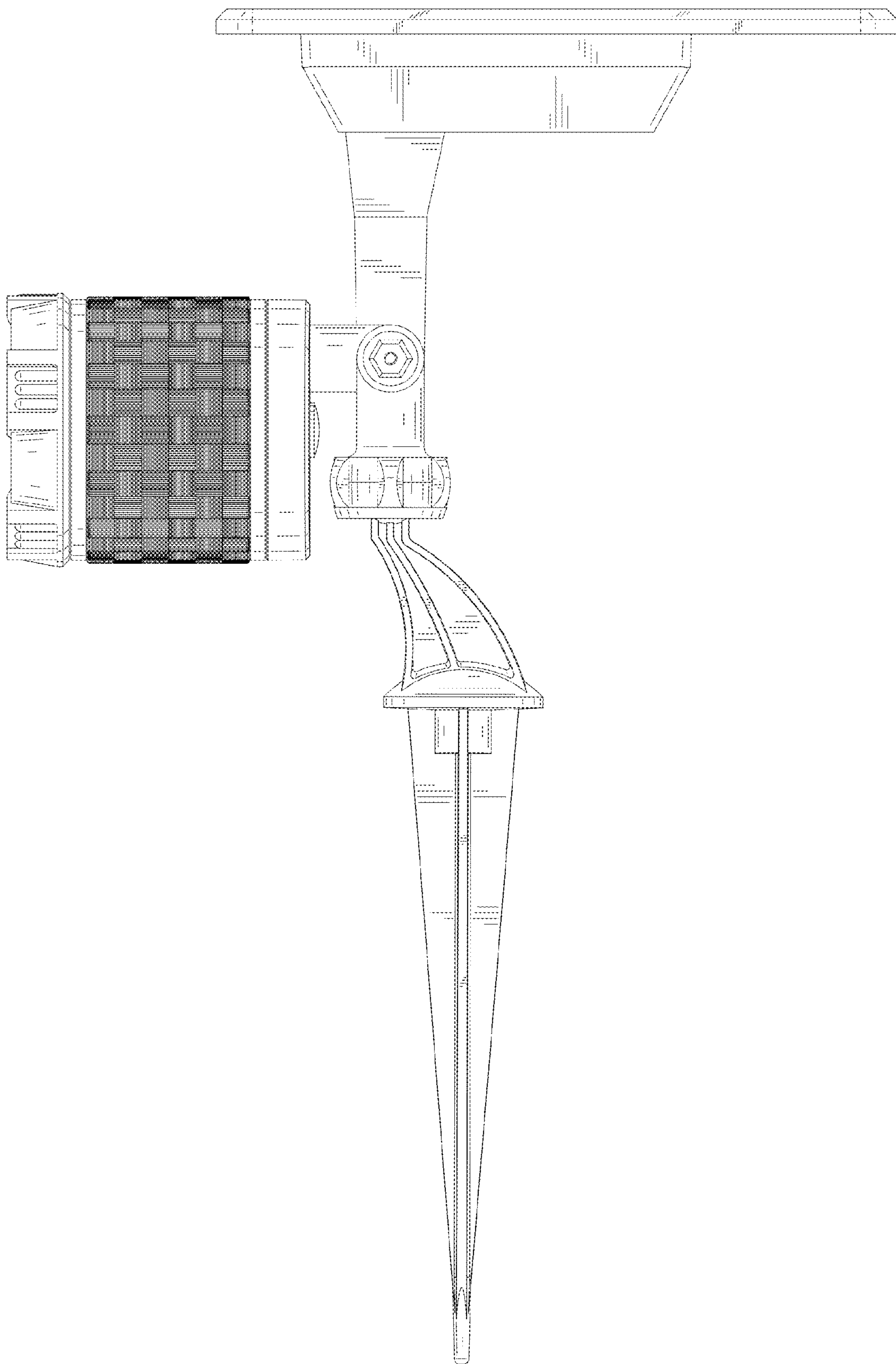


FIG. 6



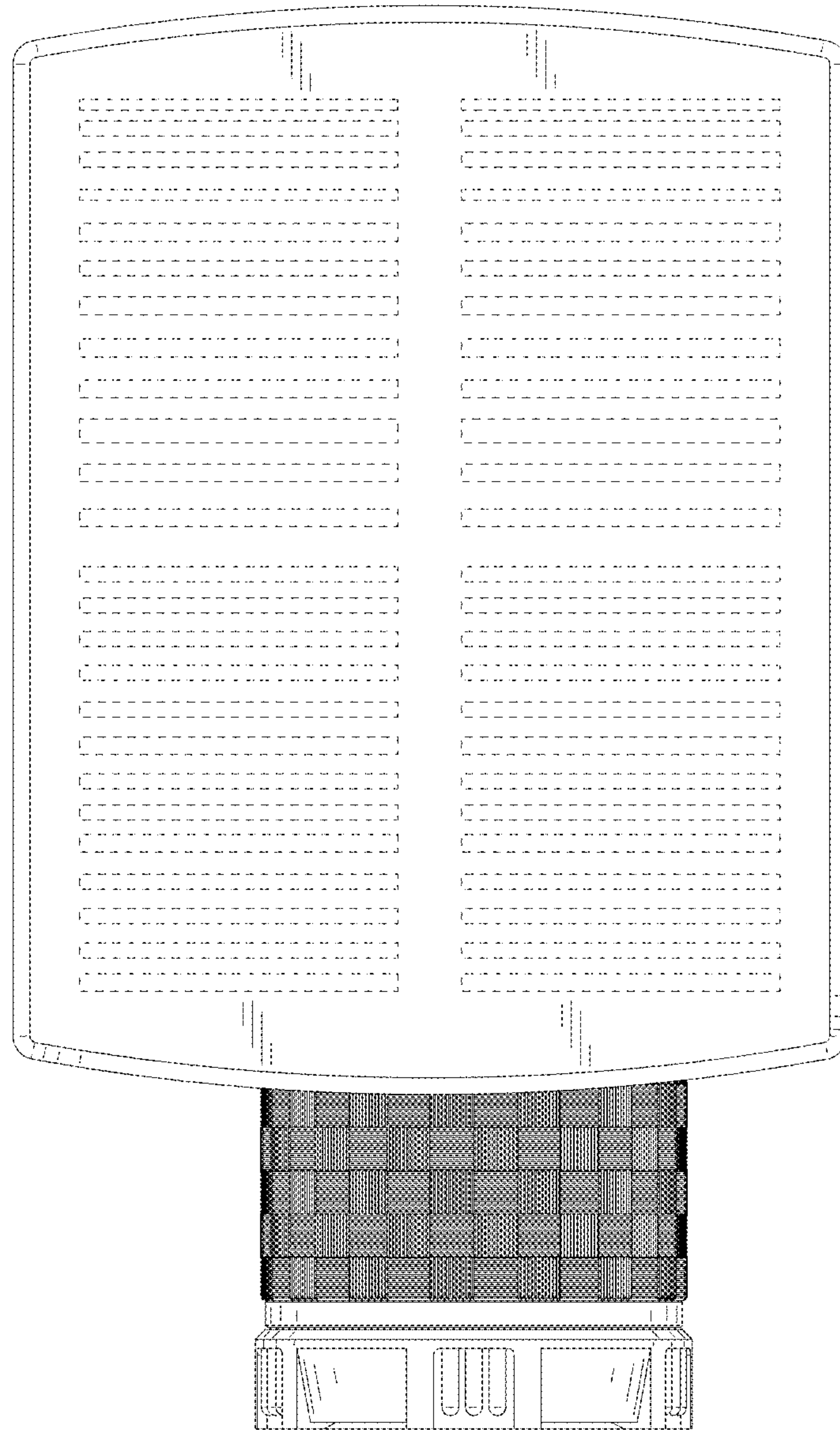


FIG. 7



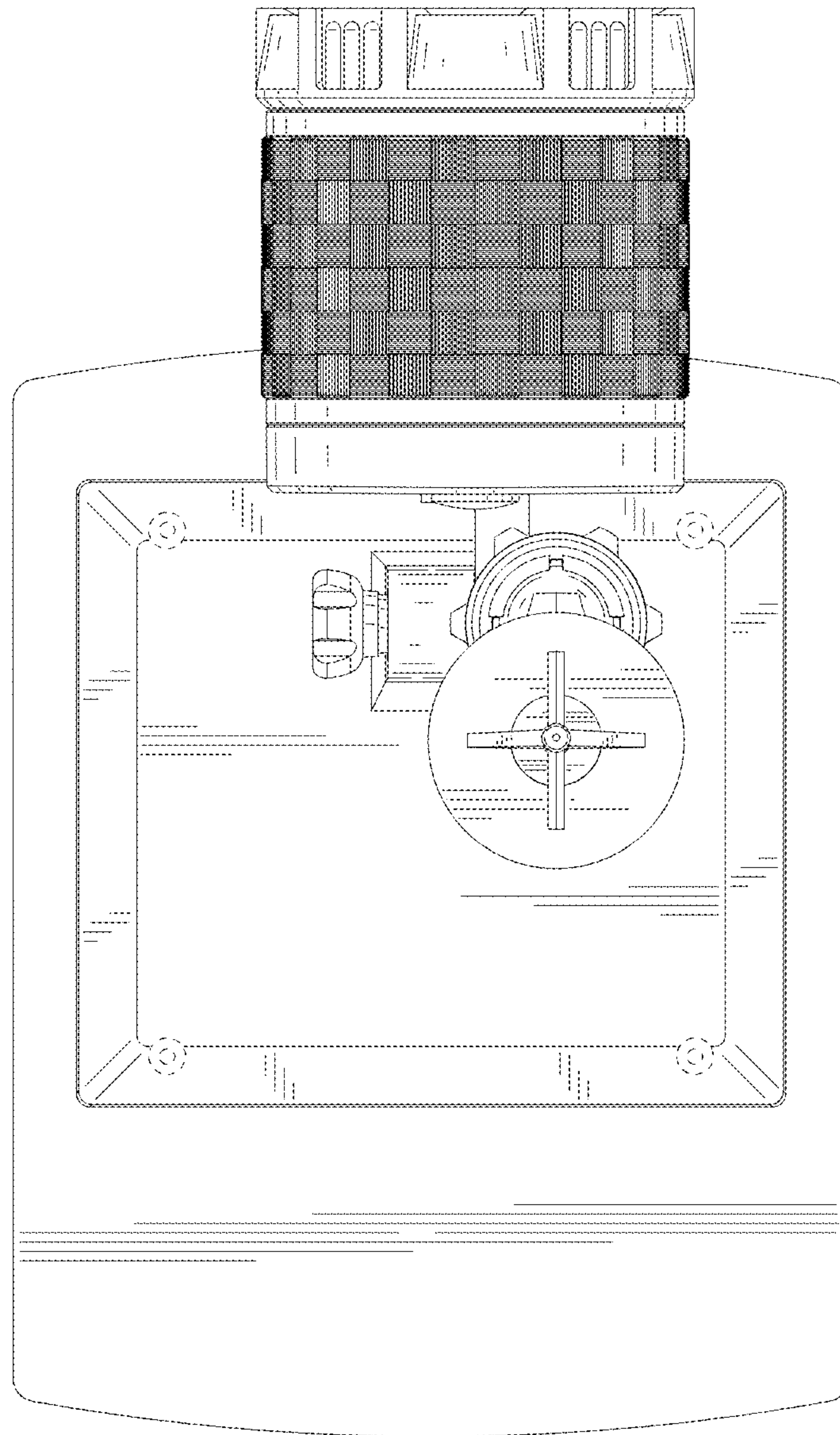


FIG. 8

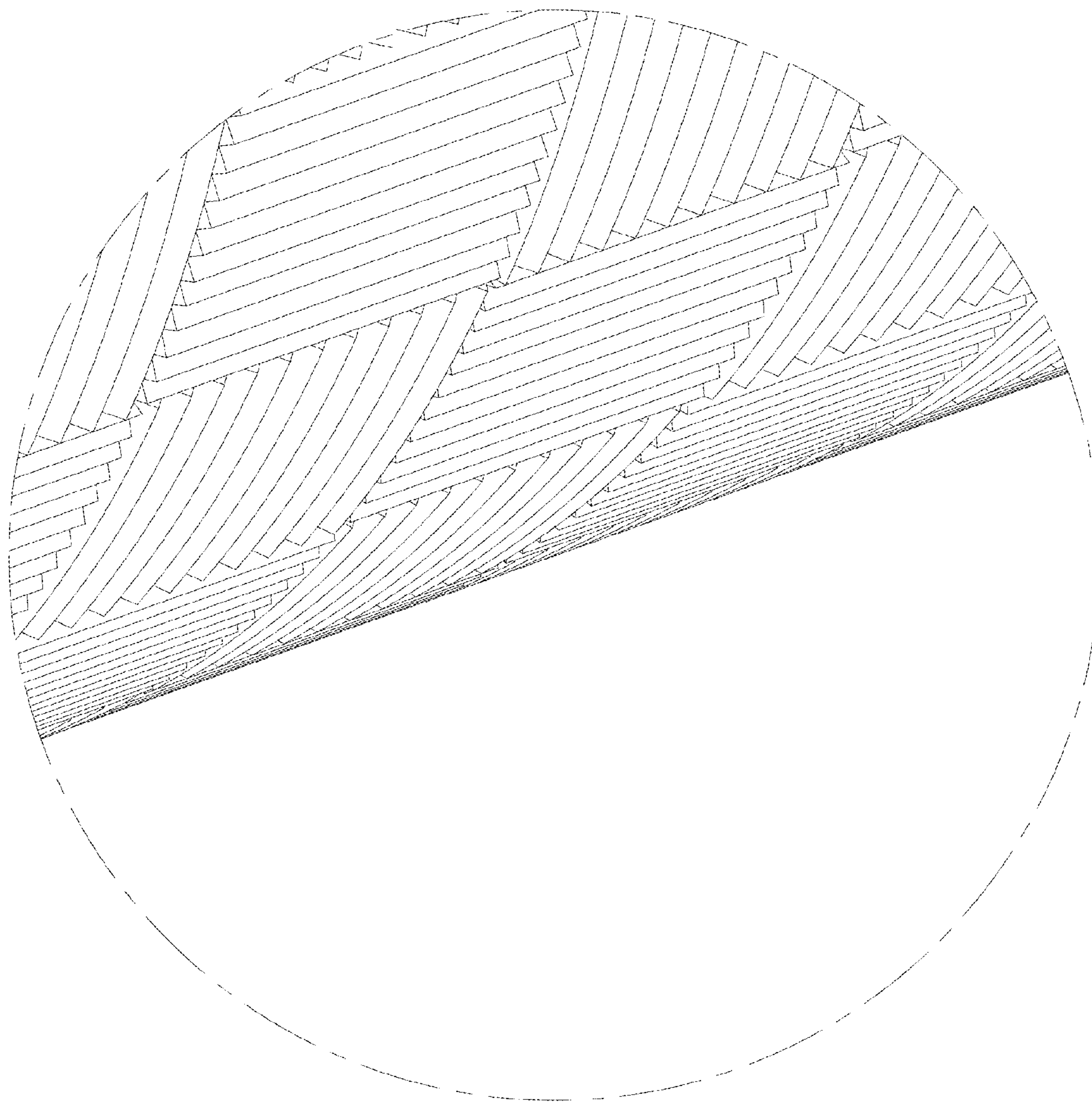


FIG. 9