



US00D970076S

(12) **United States Design Patent** (10) **Patent No.:** **US D970,076 S**
Jin (45) **Date of Patent:** **** Nov. 15, 2022**

(54) **LASER PROJECTION LAMP**

FOREIGN PATENT DOCUMENTS

(71) Applicant: **NINGBO KAISHENG ELECTRICAL APPLIANCE CO., LTD**, Ningbo (CN)

EM 008546048-0003 * 5/2021

(72) Inventor: **Jianjun Jin**, Ningbo (CN)

OTHER PUBLICATIONS

(73) Assignee: **NINGBO KAISHENG ELECTRICAL APPLIANCE CO., LTD**, Ningbo (CN)

Costway | Christmas SnowBall Laser Projector, posted on Aug. 5, 2021, no copyright date posted [online], [site visited Aug. 23, 2022]. Available from Internet: <URL:https://costway.pl/swiateczny-projektor-laserowy-sniezki>.*

(**) Term: **15 Years**

* cited by examiner

(21) Appl. No.: **29/784,498**

Primary Examiner — Cary M Robinson
Assistant Examiner — Julie Marie Bailey

(22) Filed: **May 19, 2021**

(57) **CLAIM**

(51) **LOC (13) Cl.** **26-03**

The ornamental design for a laser projection lamp, as shown and described.

(52) **U.S. Cl.**

DESCRIPTION

USPC **D26/67**

(58) **Field of Classification Search**

USPC D26/61, 63, 67, 68, 113, 118
CPC .. F21S 8/081; F21S 8/083; F21S 8/088; F21S 9/03; F21S 9/035; F21S 9/037; F21V 21/0824; F21W 2111/023; F21W 2131/109

See application file for complete search history.

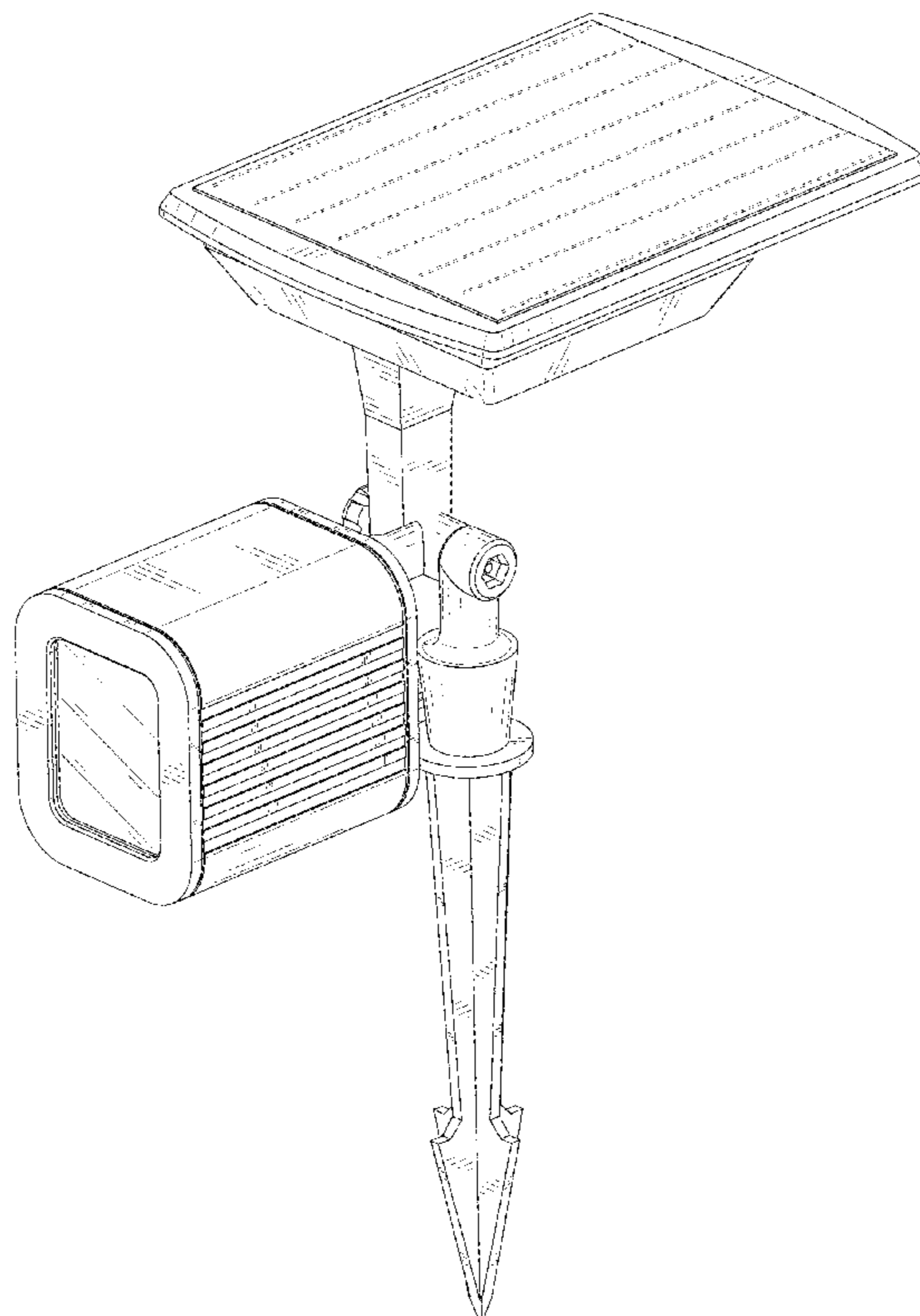
FIG. 1 is a perspective view of a laser projection lamp showing my new design;
FIG. 2 is another perspective view thereof;
FIG. 3 is a front elevational view thereof;
FIG. 4 is a rear elevational view thereof;
FIG. 5 is a left side elevational view thereof;
FIG. 6 is a right side elevational view thereof;
FIG. 7 is a top plan view thereof;
FIG. 8 is a bottom plan view thereof; and,
FIG. 9 is an enlarged view of portion 9 shown in FIG. 2.
The broken lines in the drawings depict portions of the laser projection lamp that form no part of the claimed design.

(56) **References Cited**

U.S. PATENT DOCUMENTS

D867,644 S * 11/2019 Luo D26/68
D914,942 S * 3/2021 Li D26/63
2018/0283657 A1 * 10/2018 Xiong F21V 21/0824

1 Claim, 9 Drawing Sheets



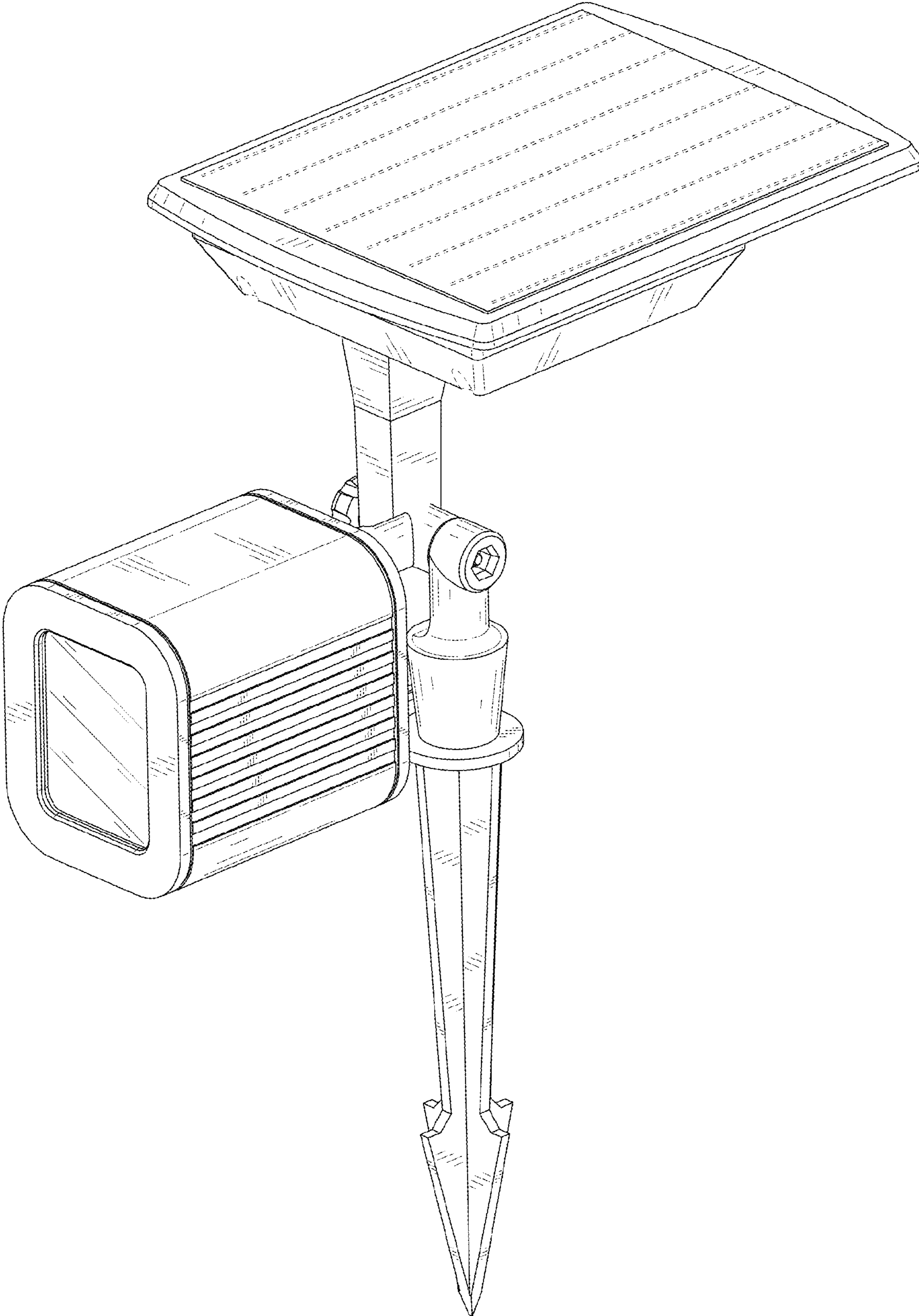


FIG. 1

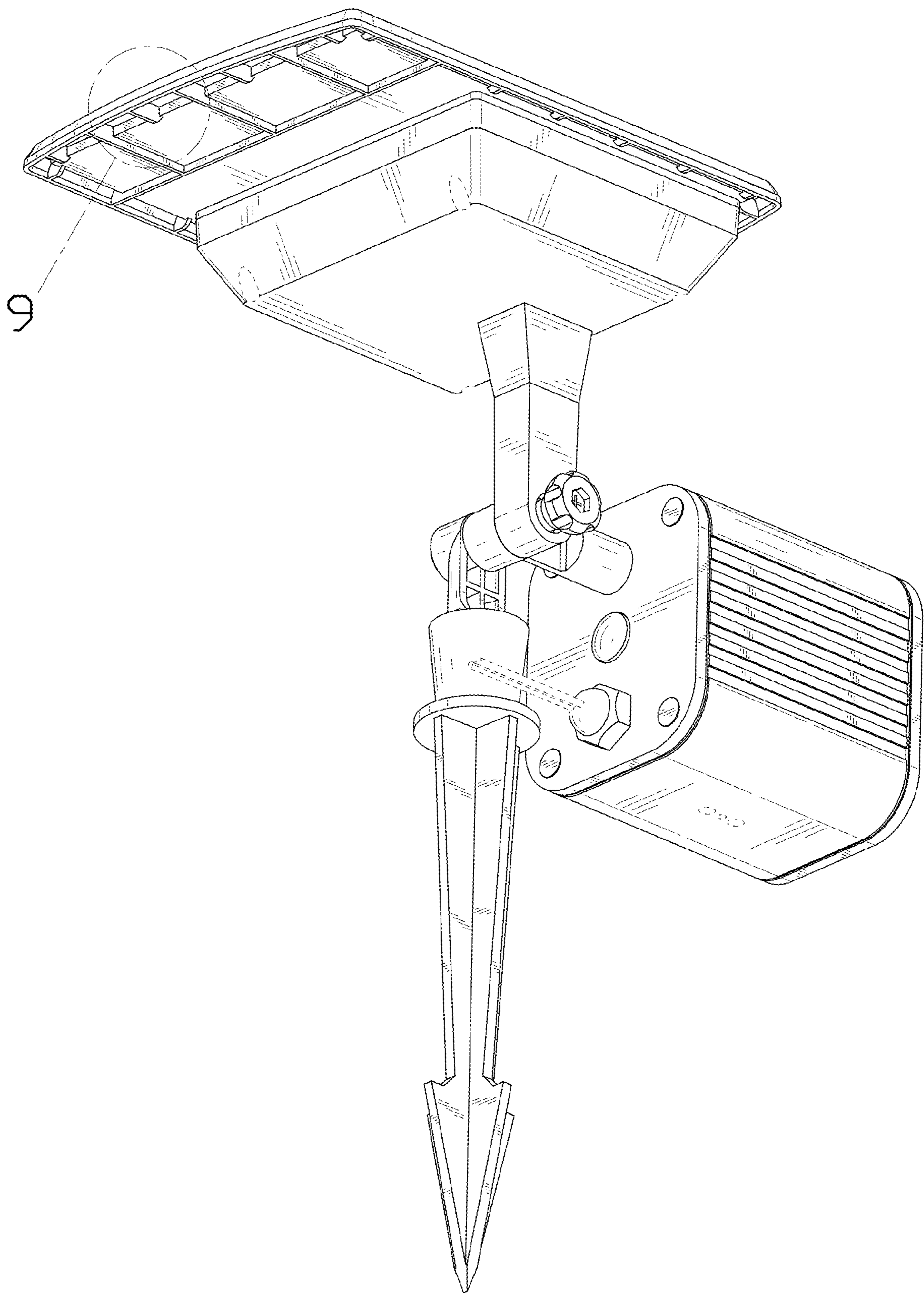


FIG. 2

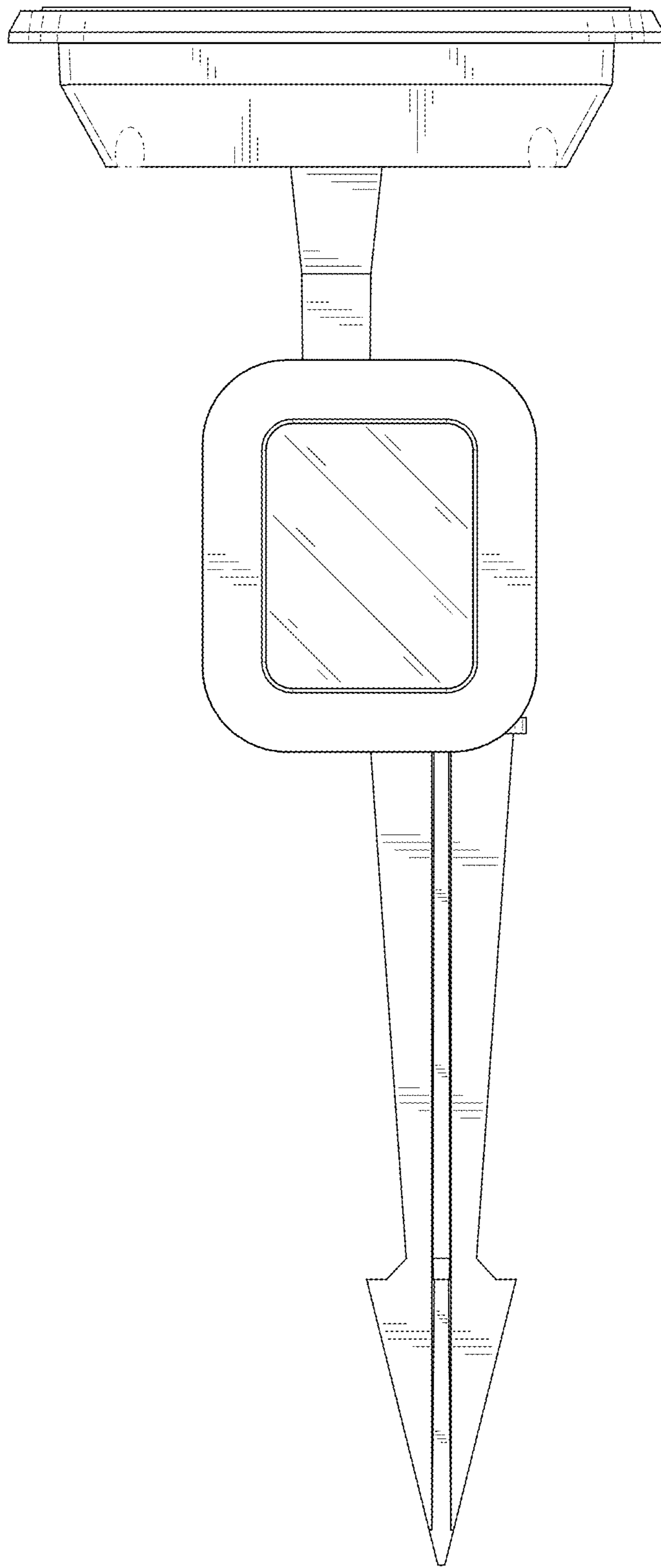


FIG. 3

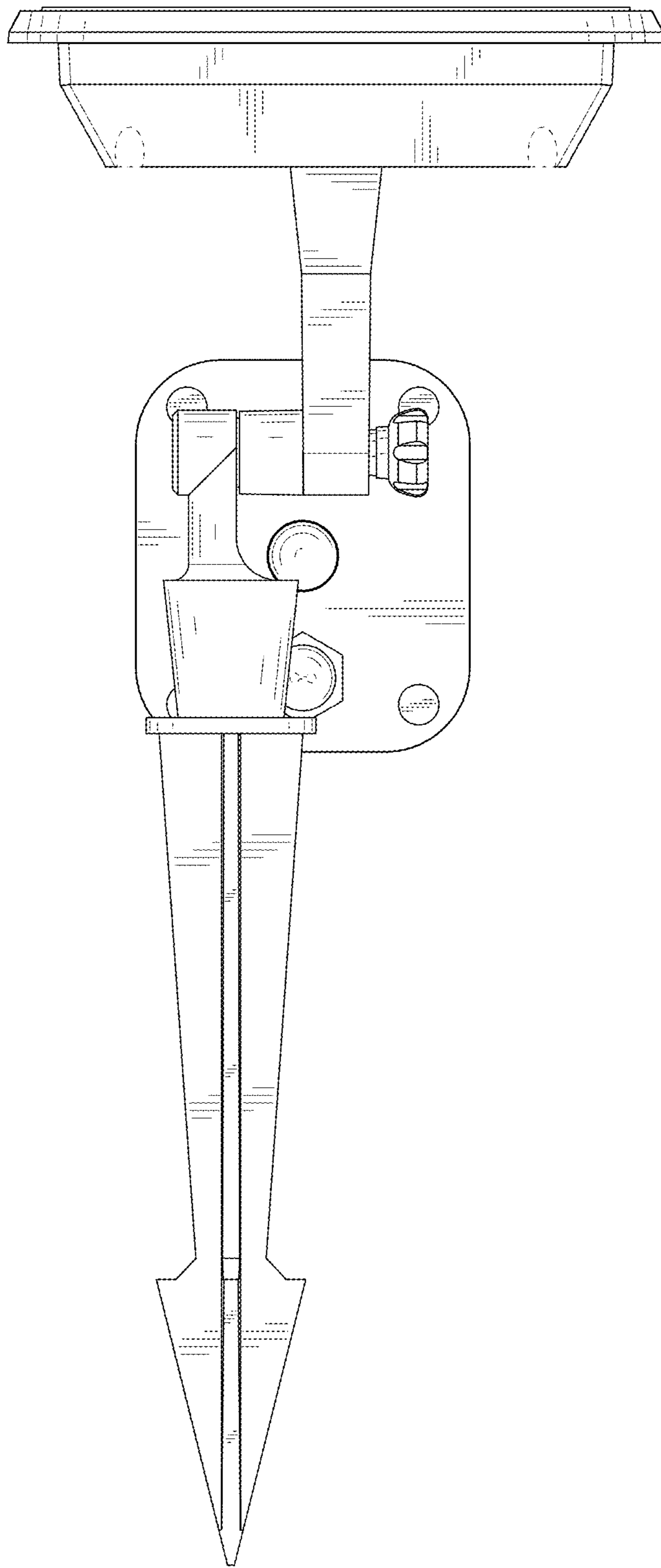


FIG. 4

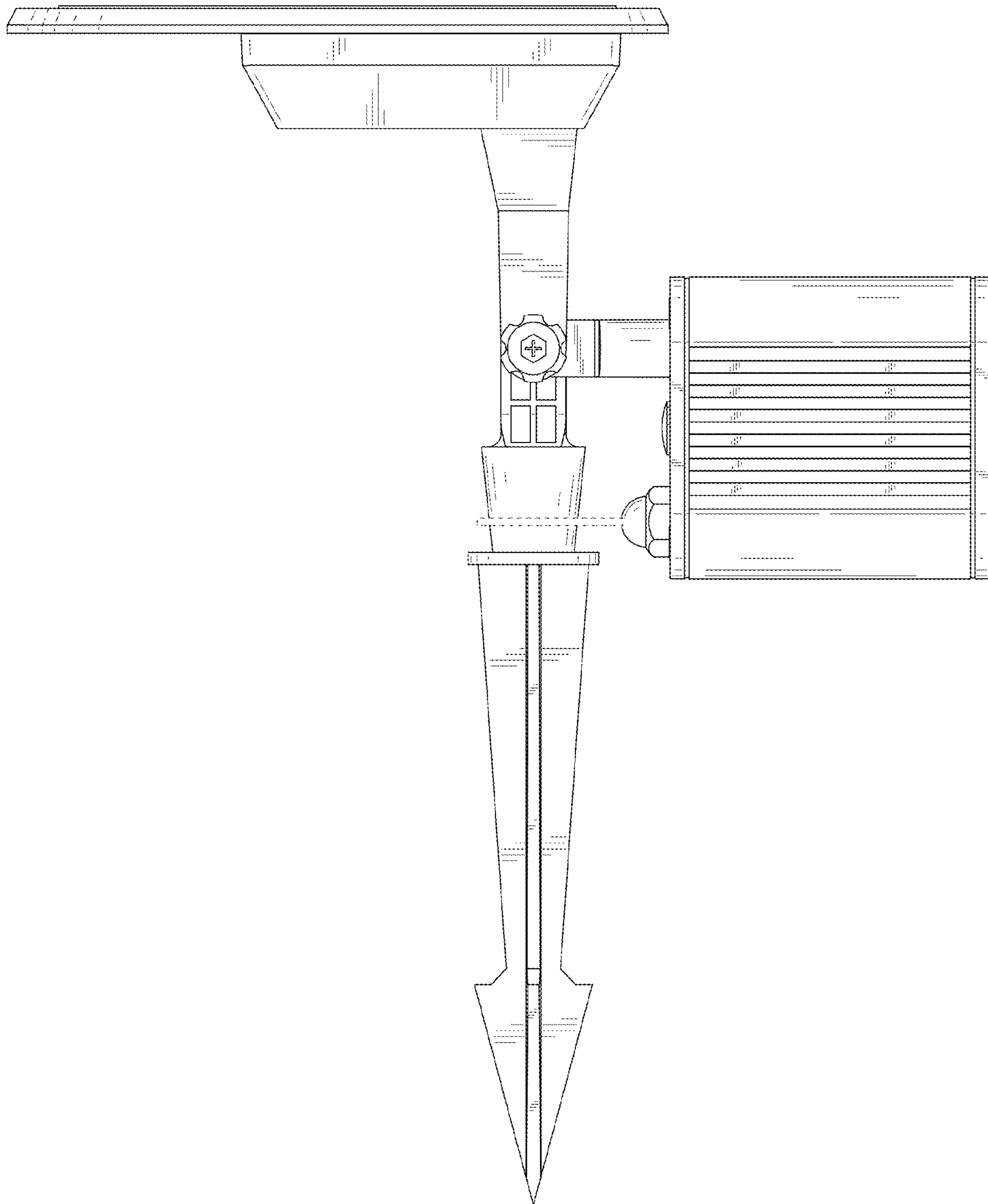


FIG. 5

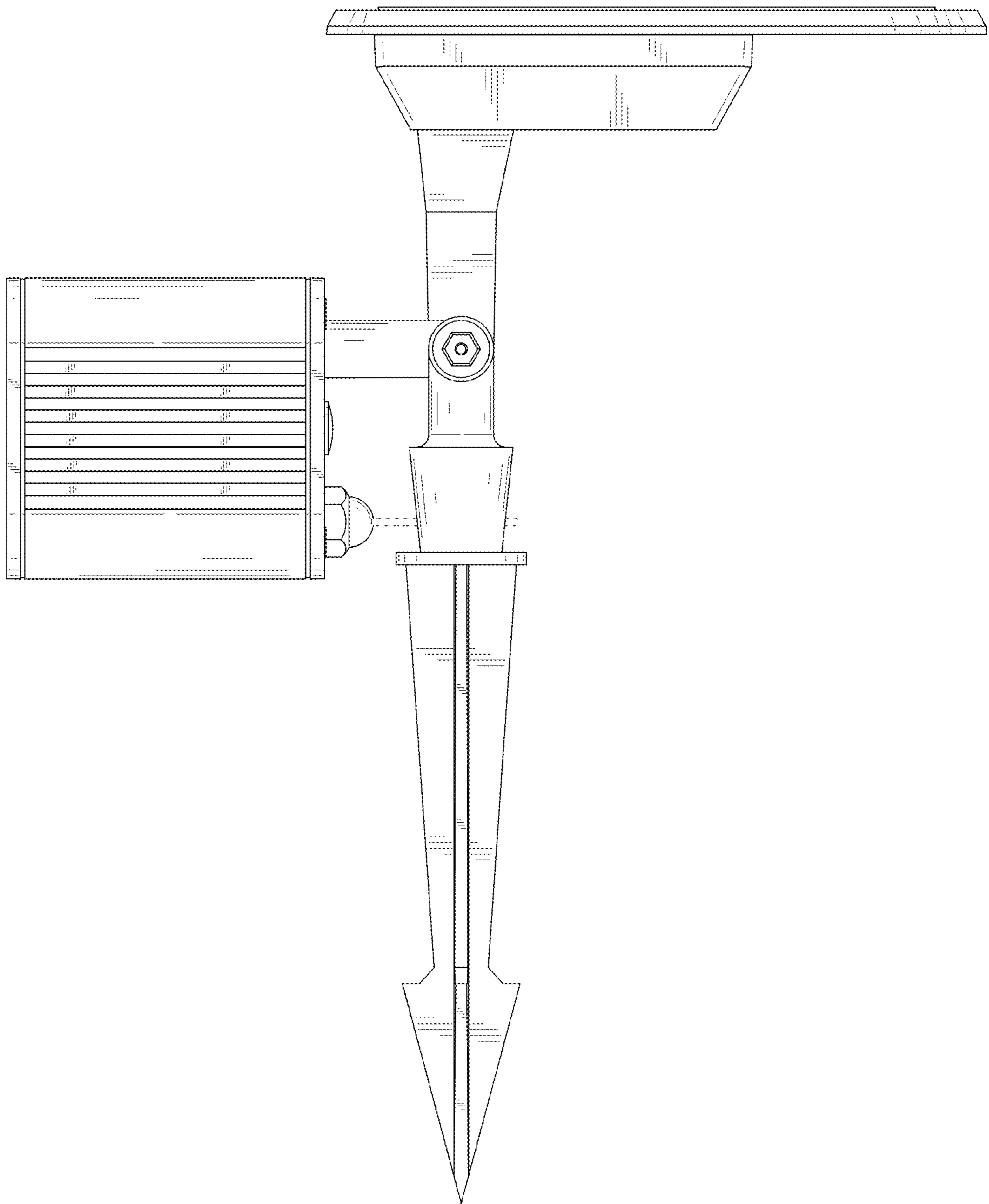


FIG. 6

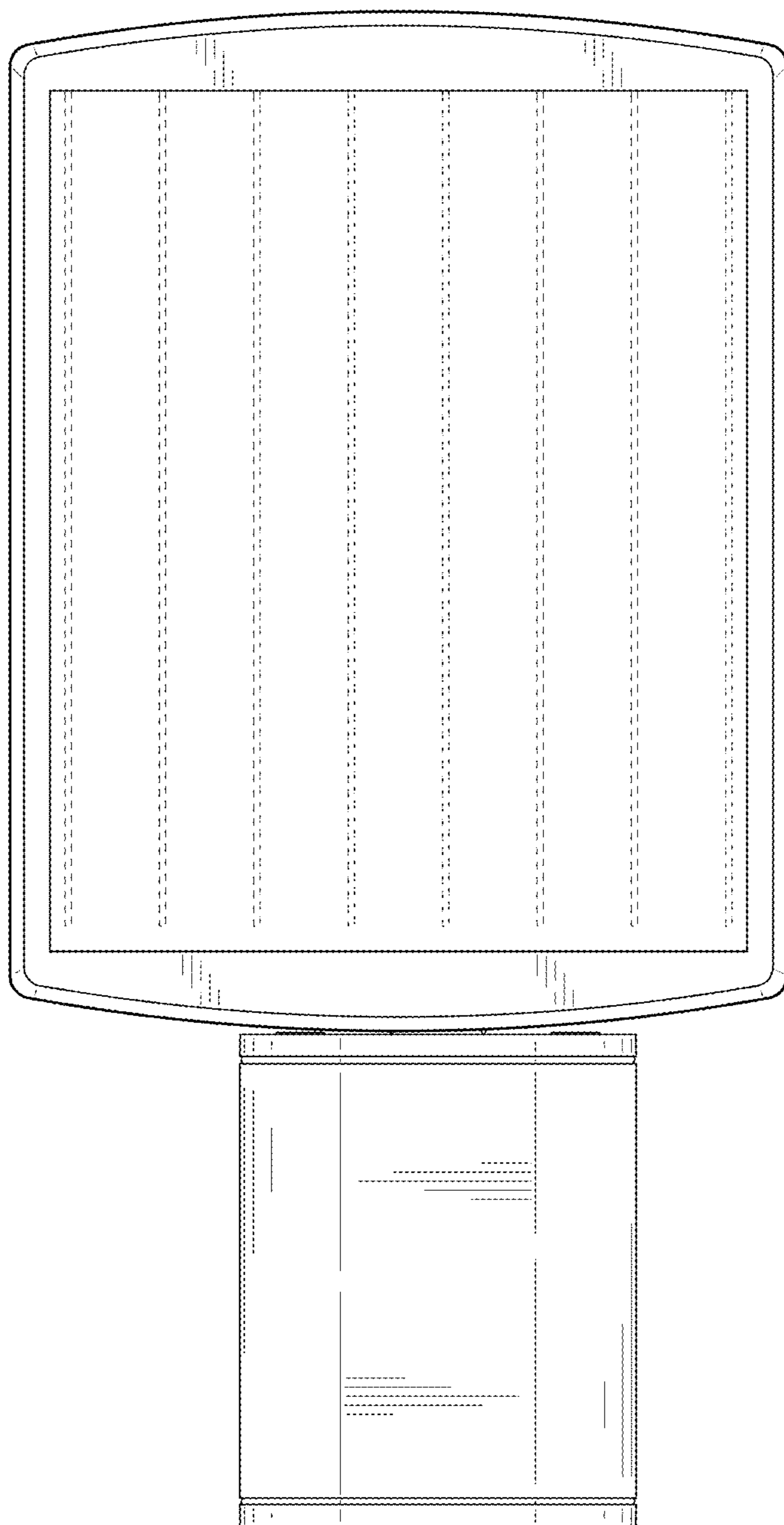


FIG. 7

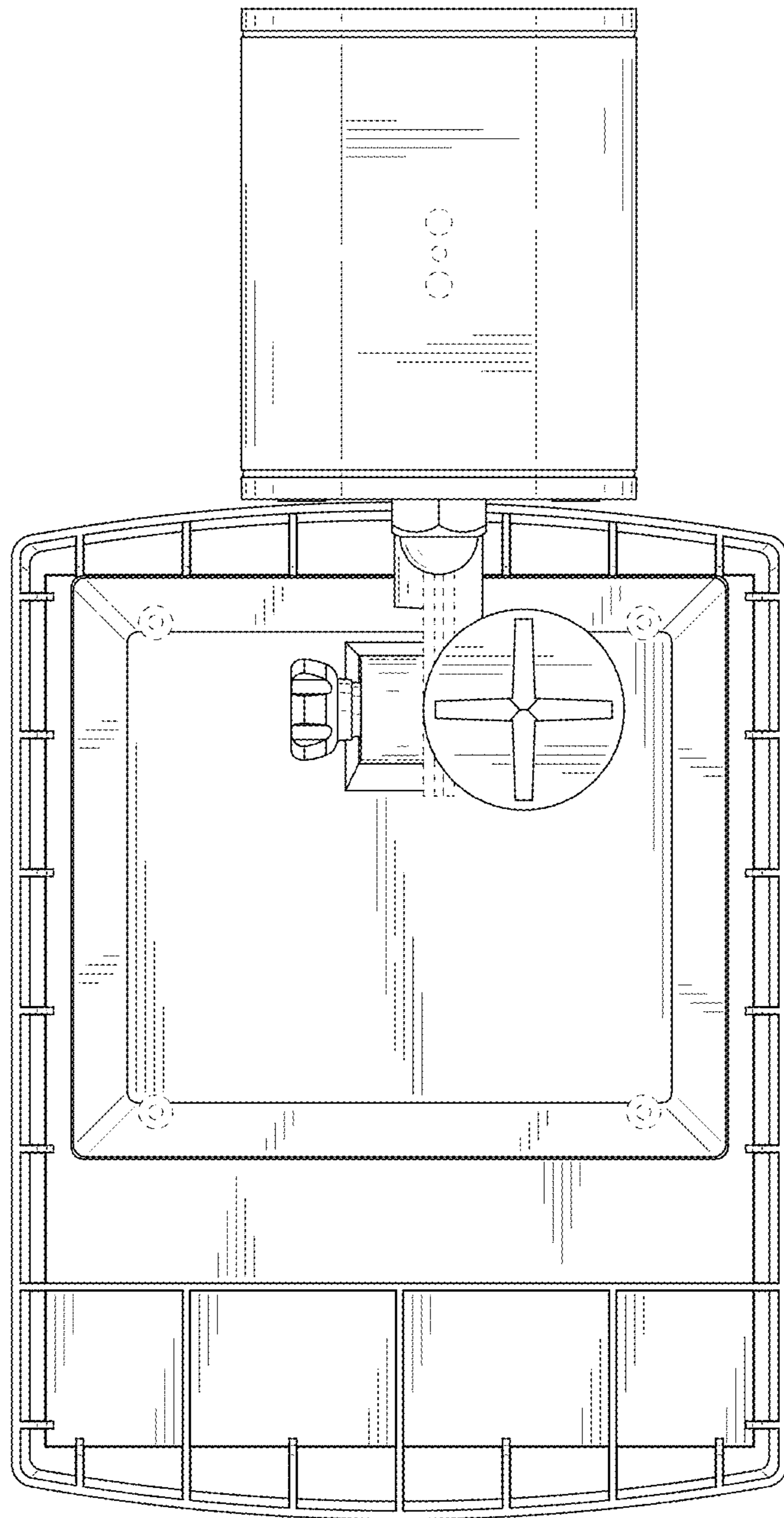


FIG. 8

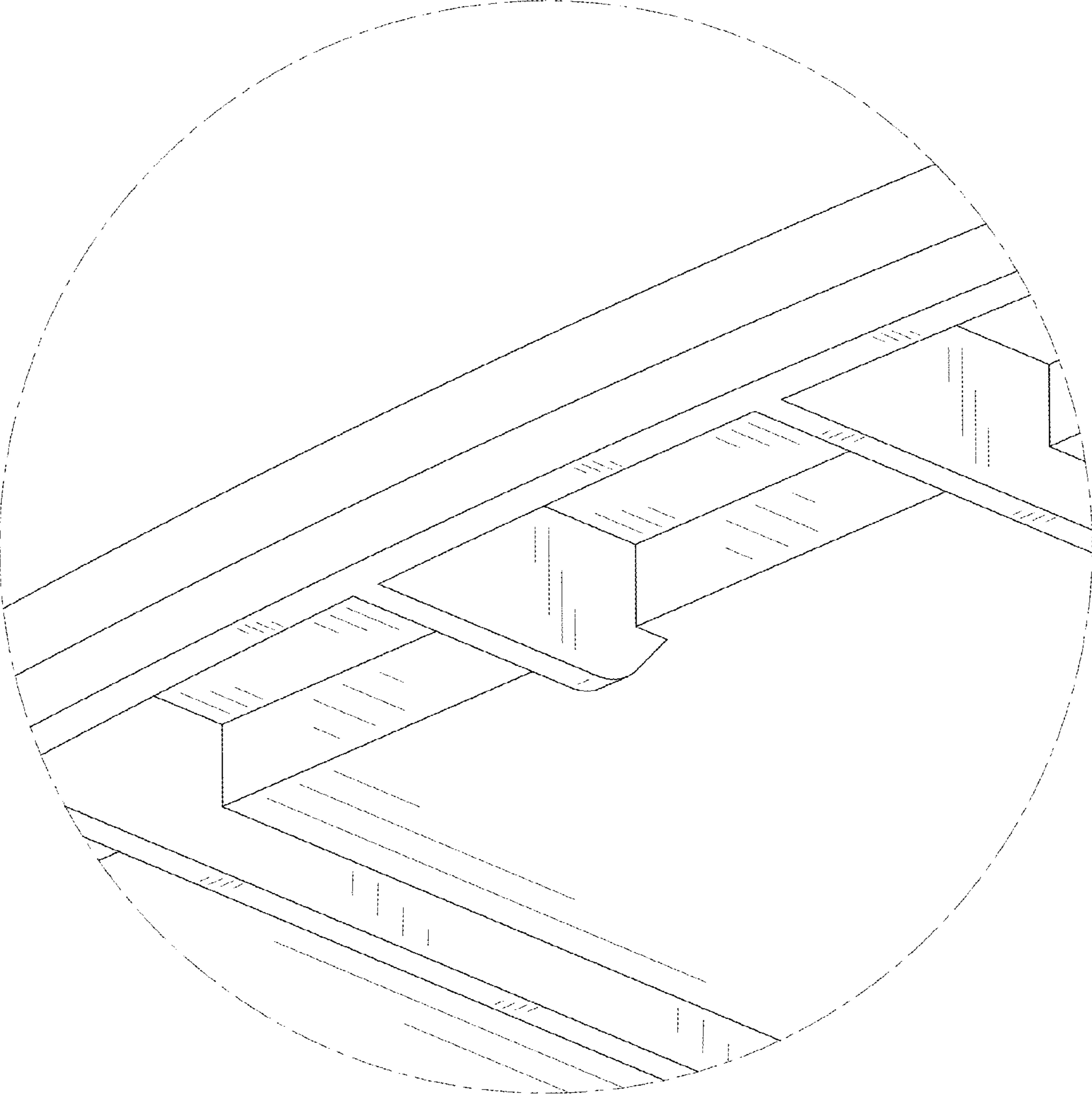


FIG. 9