



US00D970075S

(12) **United States Design Patent**
Fogg et al.

(10) **Patent No.:** **US D970,075 S**
(45) **Date of Patent:** **** Nov. 15, 2022**

(54) **MIRROR LIGHT**

FOREIGN PATENT DOCUMENTS

(71) Applicant: **Tractor Supply Company**, Brentwood, TN (US)

CN 305613757 * 2/2020
HK 2017253-0001 * 2/2021

(72) Inventors: **Christian Fogg**, Columbia, TN (US);
Ty Rager, Brentwood, TN (US); **Brian Kennemer**, Columbia, TN (US); **Fan Shi Jun**, Guangzhou (CN)

OTHER PUBLICATIONS

“UTV” reference by Traveller on Tractorsupply.com, oldest customer review 2021 [online], site visited Apr. 27, 2022, available from internet URL: <https://www.tractorsupply.com/tsc/product/traveller-utv-mirror-light-with-amber-2-pack-tw0955-1600526> (Year: 2021).*

(73) Assignee: **Tractor Supply Company**, Brentwood, TN (US)

(Continued)

(**) Term: **15 Years**

Primary Examiner — Marissa J Cash

Assistant Examiner — Liv C Anderson

(21) Appl. No.: **29/759,801**

(74) *Attorney, Agent, or Firm* — Lucian Wayne Beavers; Patterson Intellectual Property Law, PC

(22) Filed: **Nov. 25, 2020**

(51) **LOC (13) Cl.** **26-05**

(52) **U.S. Cl.**
USPC **D26/63**

(57) **CLAIM**

What is claimed is the ornamental design for a mirror light, as shown and described.

(58) **Field of Classification Search**

DESCRIPTION

USPC ... D26/1, 24, 35, 44, 61, 63, 65, 66, 72, 80, D26/60, 76, 81, 83, 84, 93
CPC F21S 8/00; F21S 8/003; F21S 8/033; F21S 9/03; F21S 9/037; F21V 23/0471; F21V 21/26; F21V 21/30; F21W 2131/10; F21W 2131/107
See application file for complete search history.

FIG. 1 is a rear-left perspective view showing the mirror light.

FIG. 2 is a front-right perspective view of the mirror light of FIG. 1.

FIG. 3 is a rear elevation view of the mirror light of FIG. 1.

FIG. 4 is a front elevation view of the mirror light of FIG. 1.

FIG. 5 is a left end elevation view of the mirror light of FIG. 1.

FIG. 6 is a right end elevation view of mirror light of FIG. 1.

FIG. 7 is a top plan view of the mirror light of FIG. 1; and, FIG. 8 is a bottom plan view of the mirror light of FIG. 1. The broken lines in the drawings depict portions of the mirror light that form no part of the claimed design.

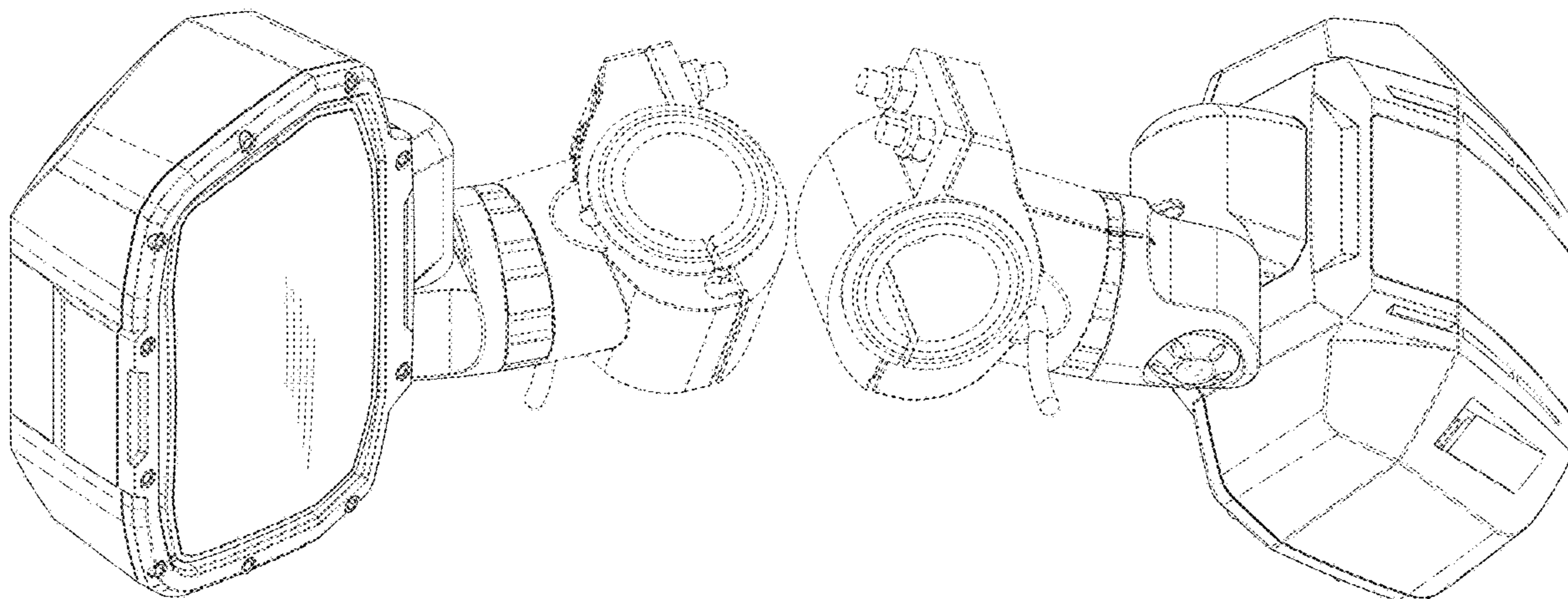
(56) **References Cited**

U.S. PATENT DOCUMENTS

D300,259 S * 3/1989 Lungstrom D12/187
D404,838 S * 1/1999 Magnusson D26/28
D515,228 S * 2/2006 Gebhard D26/28
D528,678 S * 9/2006 Yen D26/60
D573,286 S * 7/2008 Zettl D26/63
D646,822 S * 10/2011 Johannessen D14/371

(Continued)

1 Claim, 7 Drawing Sheets



(56)

References Cited

U.S. PATENT DOCUMENTS

8,378,802 B2 * 2/2013 Hwang B60Q 1/2665
 340/465
 D745,990 S * 12/2015 Gebhard D26/63
 D768,899 S * 10/2016 Gebhard D26/63
 D774,675 S * 12/2016 Hong D26/63
 D784,586 S * 4/2017 Gebhard D26/63
 D852,400 S * 6/2019 Wang D26/63
 D853,004 S * 7/2019 Wang D26/63
 D857,270 S * 8/2019 Recker D26/63
 D862,758 S * 10/2019 Zhu D26/63
 D863,616 S * 10/2019 Renvall D26/63
 D877,382 S * 3/2020 Zhuo D26/61
 D884,243 S * 5/2020 Li D26/63
 D885,645 S * 5/2020 Dennis D26/118
 10,766,423 B2 * 9/2020 Herrmann B60R 1/06
 D905,311 S * 12/2020 Smith D26/63
 D921,259 S * 6/2021 Smith D26/63
 11,273,766 B2 * 3/2022 Herrmann B60Q 1/0023
 2019/0092225 A1 * 3/2019 Schermerhorn F21S 43/37
 2021/0014426 A1 * 1/2021 Wang H04N 5/2256
 2021/0148548 A1 * 5/2021 Hou F21V 7/0008
 2021/0195715 A1 * 6/2021 Kowalenko F21V 23/0471

OTHER PUBLICATIONS

“Xprite” reference by Xprite USA on Amazon.com, date first available Sep. 5, 2019 [online], site visited Apr. 27, 2022, available from internet URL: <https://www.amazon.com/Xprite-Offroad-Mirrors-Anti-Glare-Maverick/dp/B07XCD32WT?th=1> (Year: 2019).*

“All” reference by Ransoto on Amazon.com, date first available Jan. 10, 2020 [online], site visited Apr. 27, 2022, available from internet URL: <https://www.amazon.com/1-75-2-Offroad-Mirrors-Compatible-Polaris/dp/B083QCLPQC?th=1> (Year: 2020).*

* cited by examiner

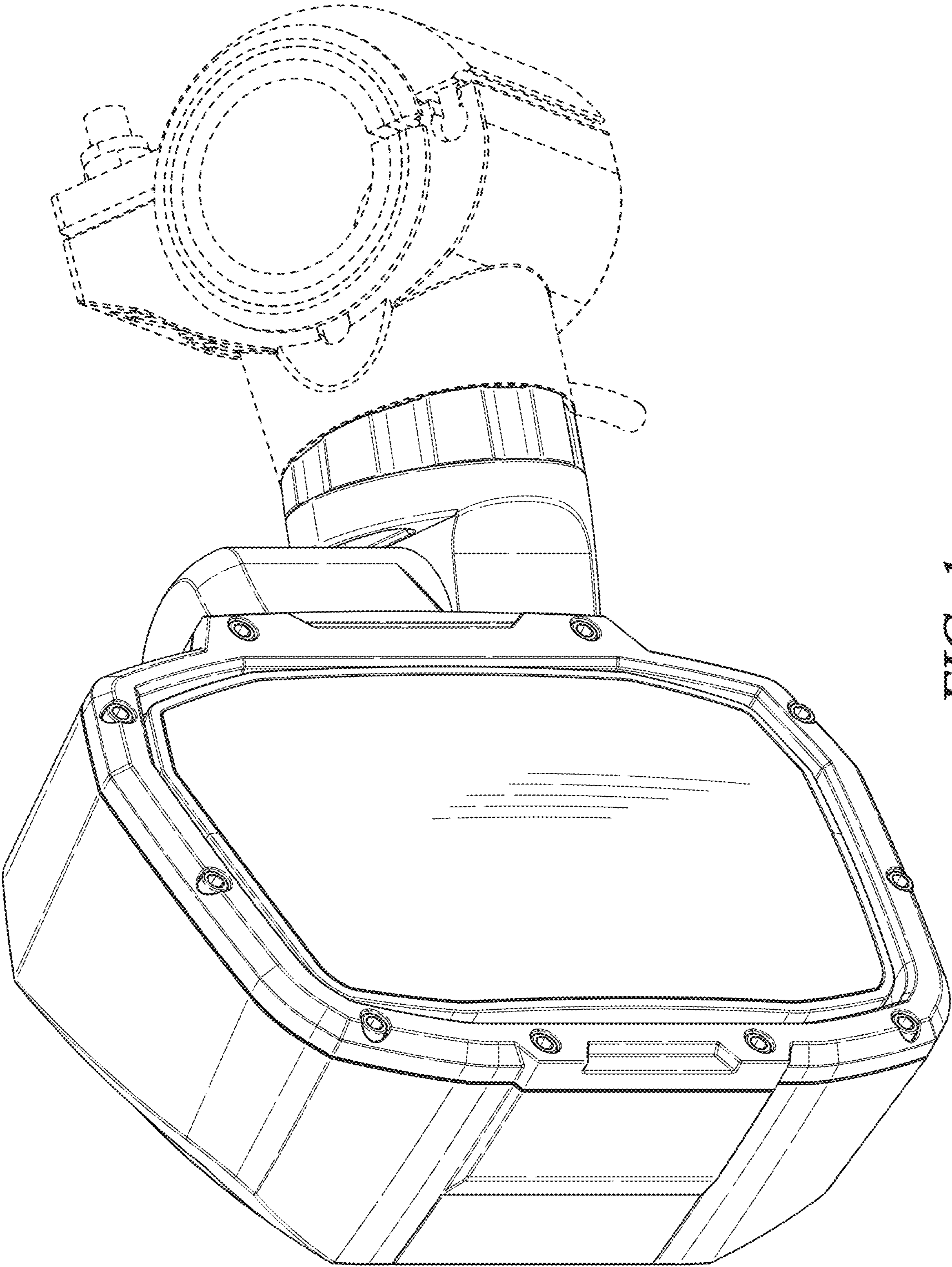


FIG. 1

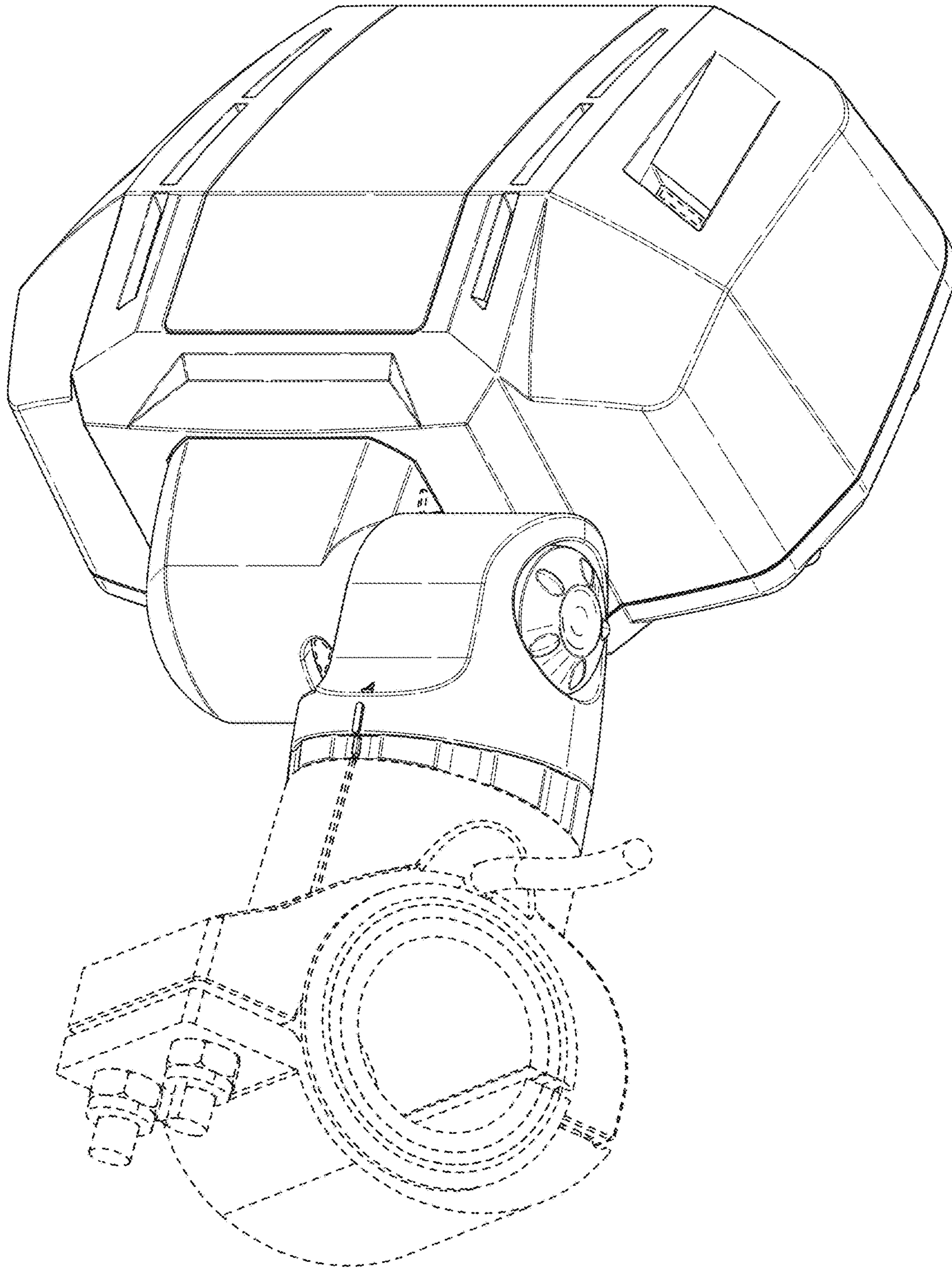


FIG. 2

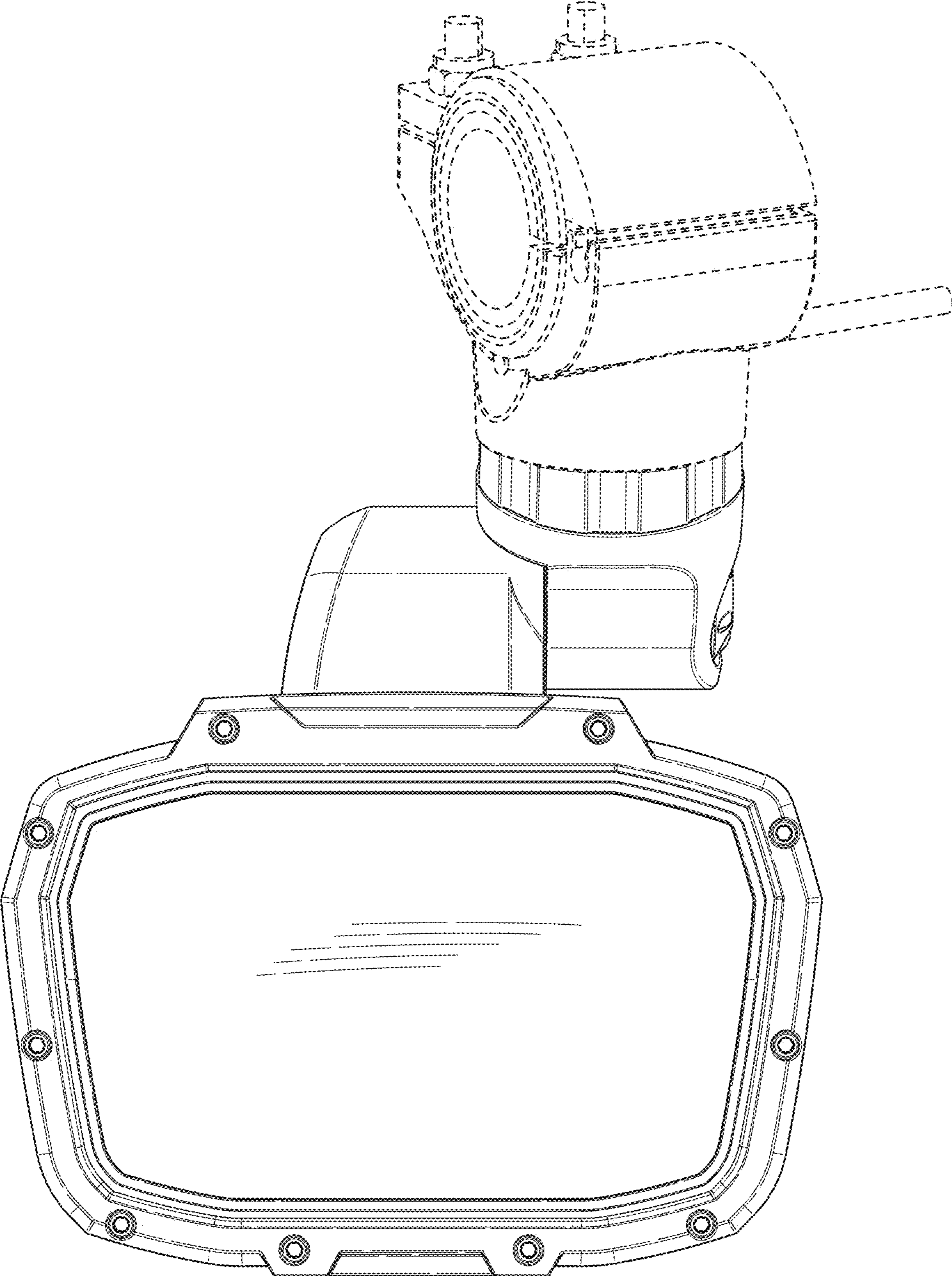


FIG. 3

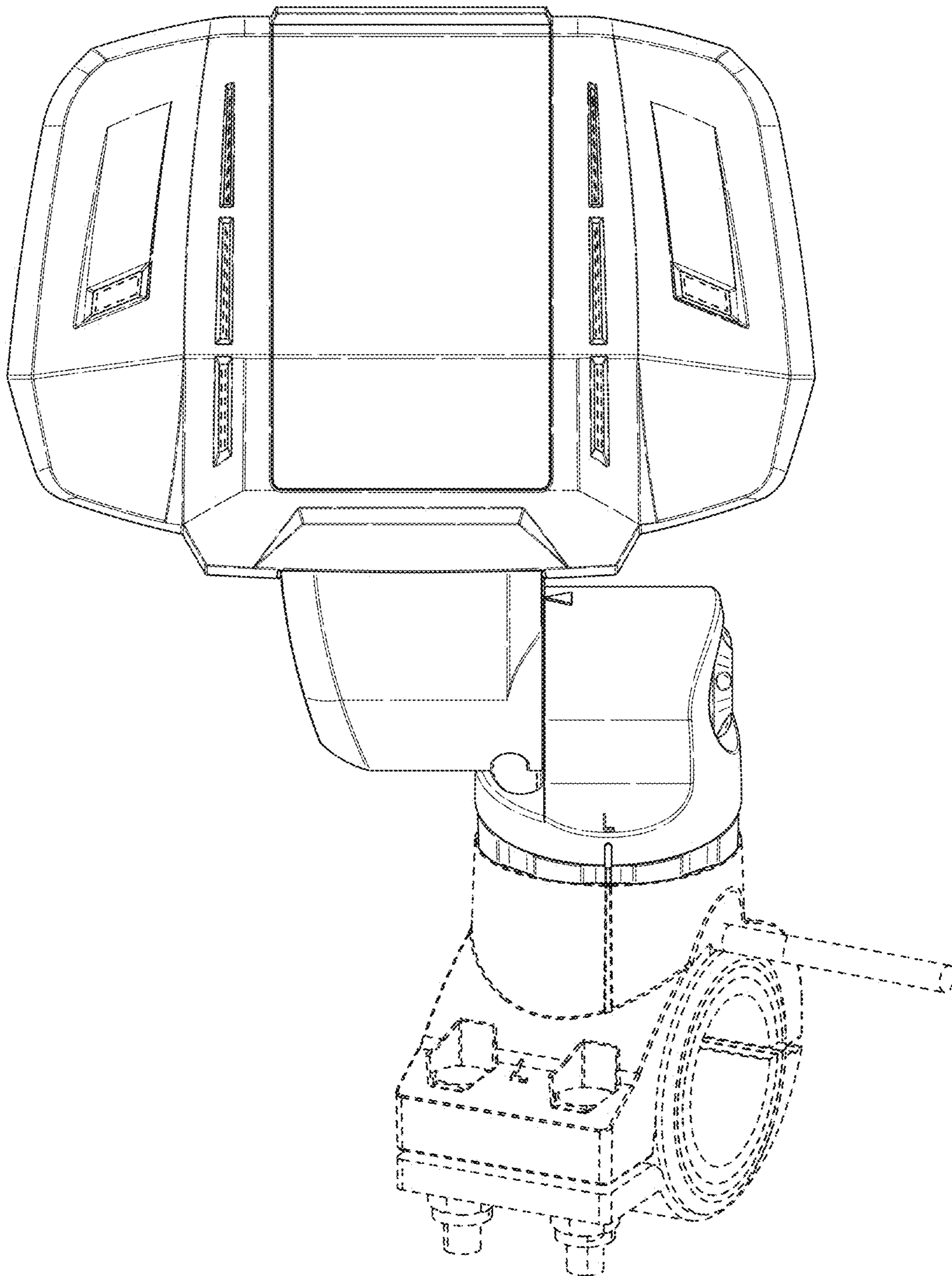


FIG. 4

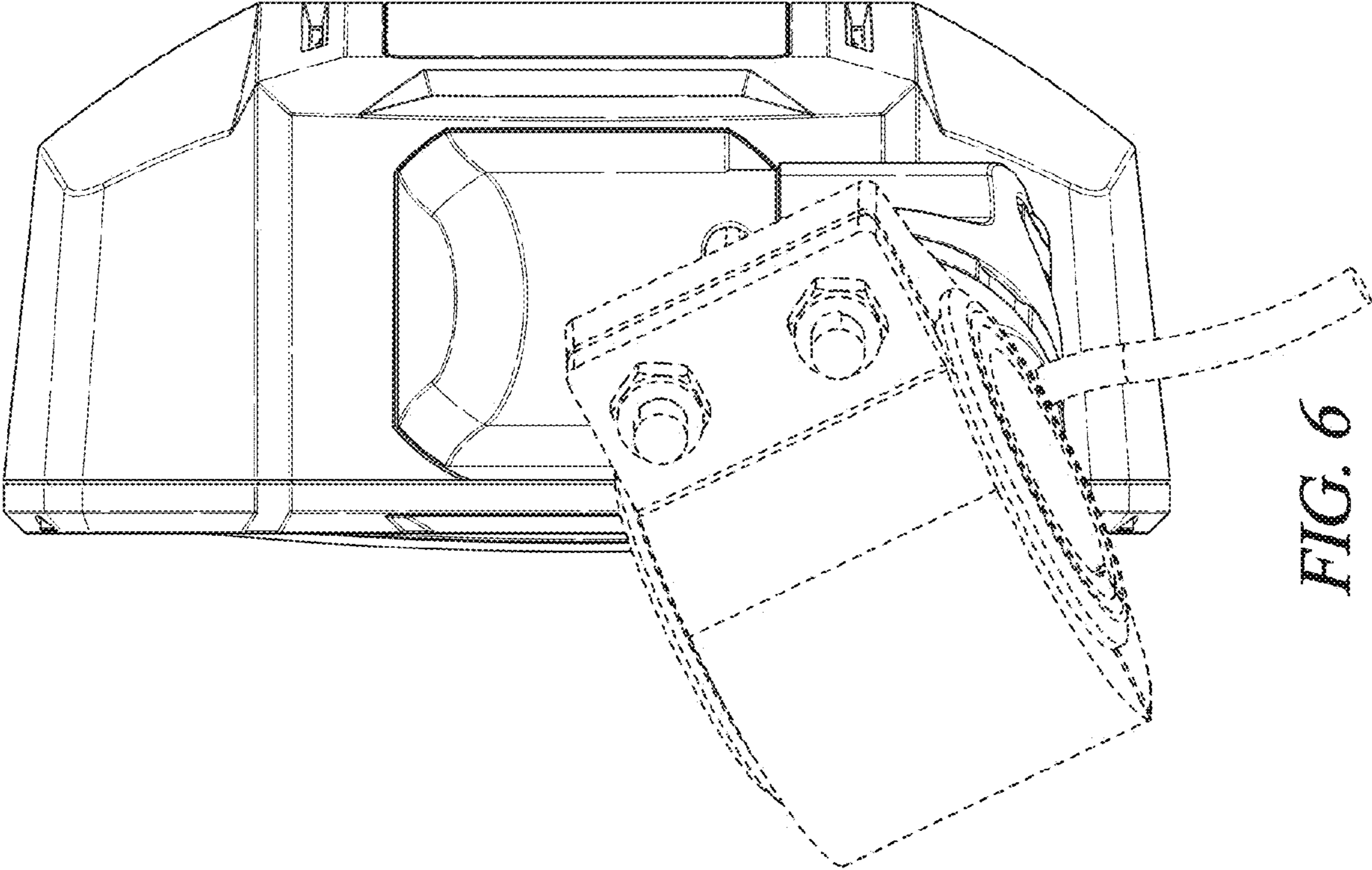


FIG. 6

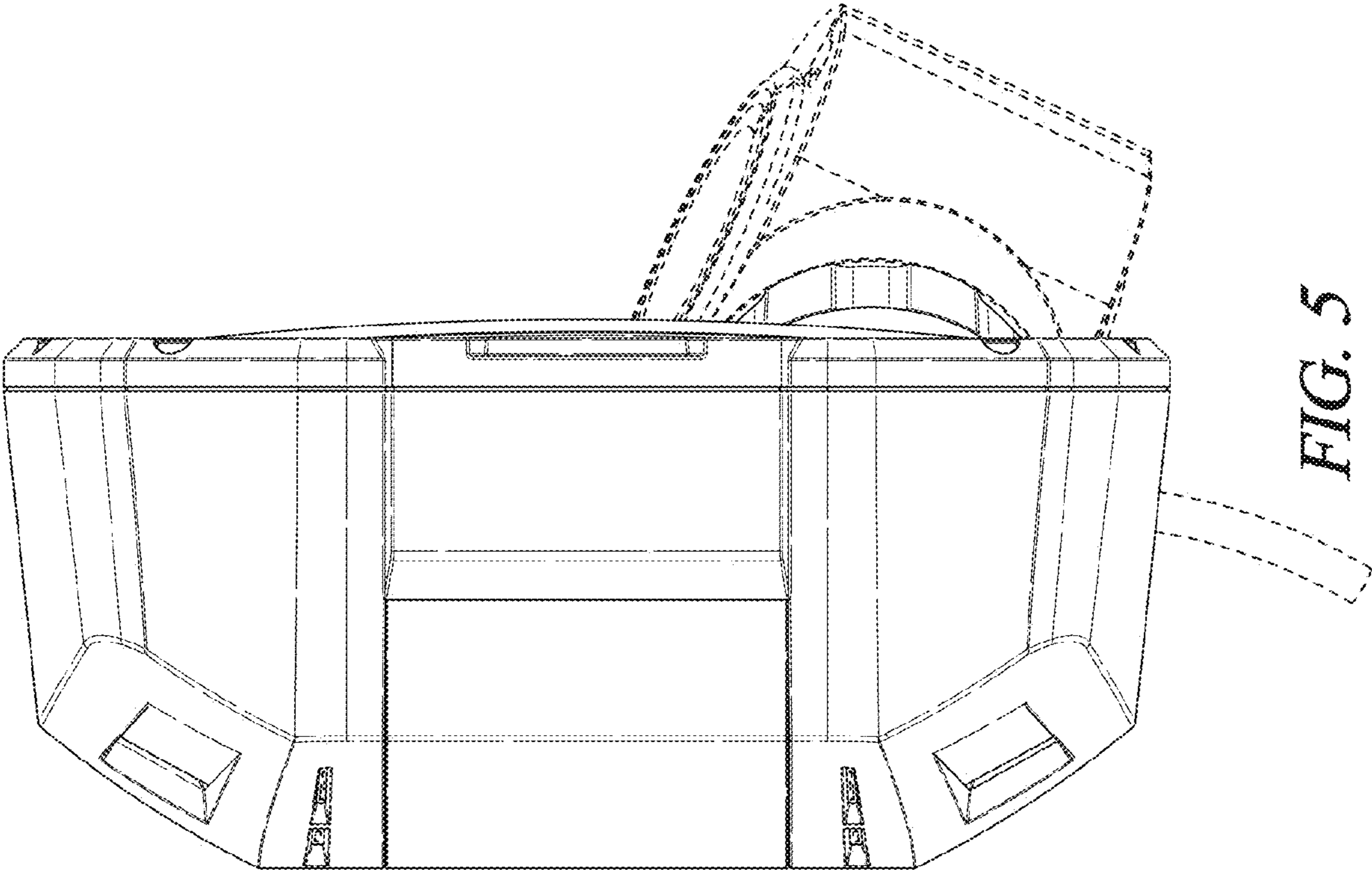


FIG. 5

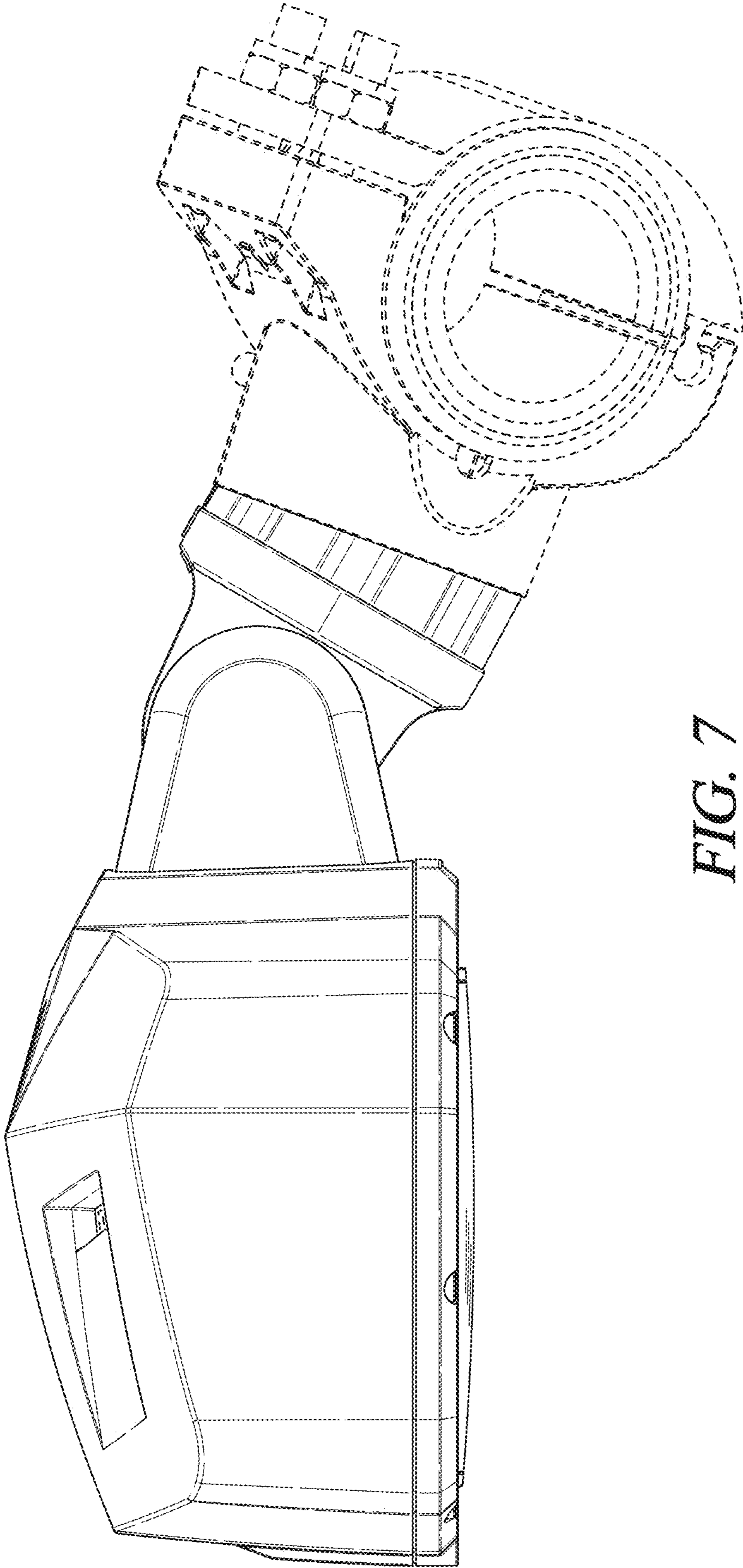


FIG. 7

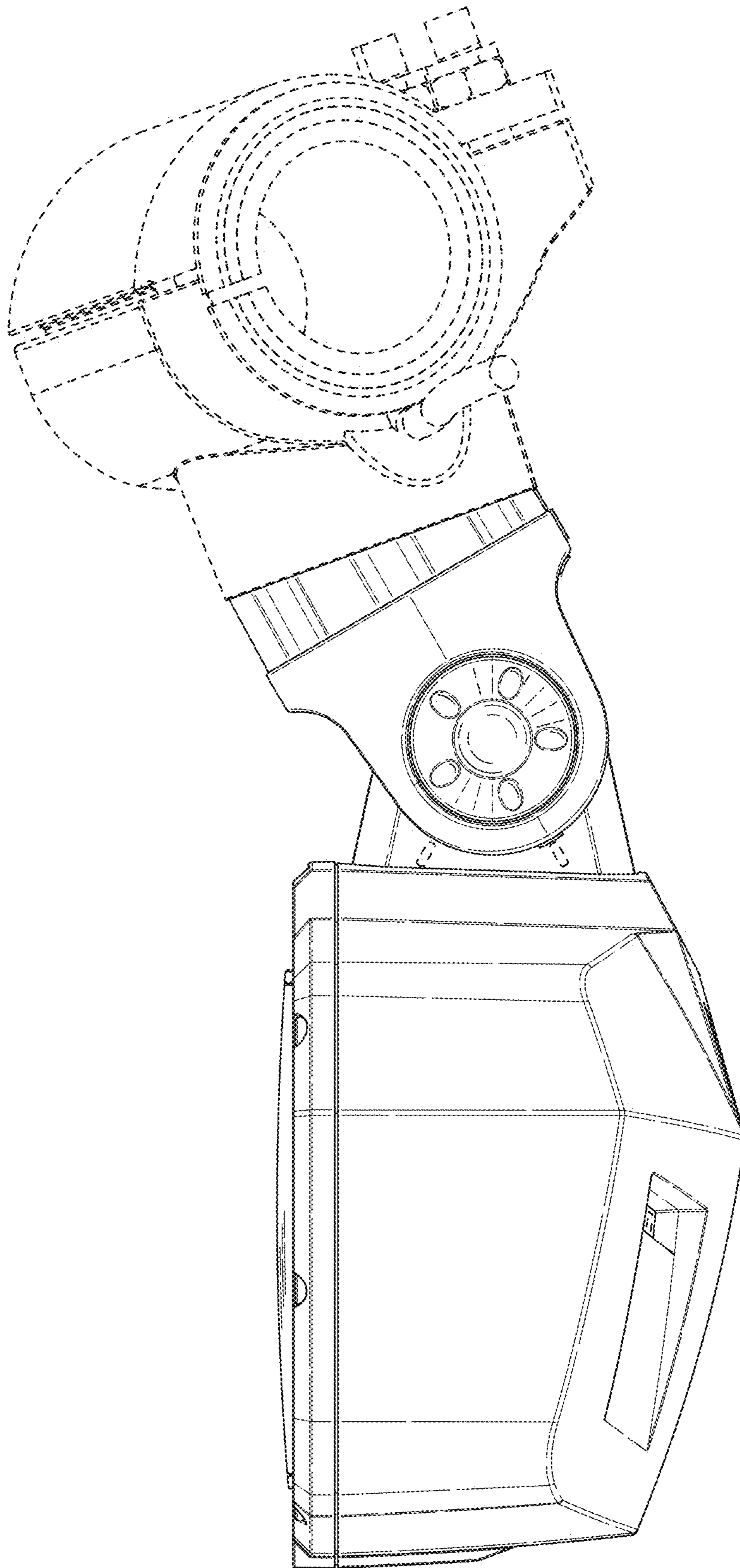


FIG. 8