



US00D970074S

(12) **United States Design Patent** (10) **Patent No.:** **US D970,074 S**  
**Chen** (45) **Date of Patent:** **\*\* Nov. 15, 2022**

(54) **WHITE NOISE LIGHT**

D887,073 S \* 6/2020 Lin ..... D26/110  
D905,049 S \* 12/2020 Lu ..... D14/314  
D942,672 S \* 2/2022 Chen ..... D26/104

(71) Applicant: **SHENZHEN LIZHONGXIANG TECHNOLOGY CO., LTD.**, Shenzhen (CN)

FOREIGN PATENT DOCUMENTS

(72) Inventor: **Tao Chen**, Shenzhen (CN)

CN 201530462491 \* 6/2016  
CN 201930374510.9 \* 12/2019

(73) Assignee: **SHENZHEN LIZHONGXIANG TECHNOLOGY CO., LTD.**, Shenzhen (CN)

OTHER PUBLICATIONS

(\*\*) Term: **15 Years**

Star Projector Night Light. By Topepop. Dated Aug. 27, 2019. Found online [Oct. 19, 2021]. [https://www.amazon.com/Projector-Projection-Rotating-Children/dp/B07X533335/ref=sr\\_1\\_218?dchild=1&keywords=projection%2Blight&qid=1634579042&sr=8-218&th=1](https://www.amazon.com/Projector-Projection-Rotating-Children/dp/B07X533335/ref=sr_1_218?dchild=1&keywords=projection%2Blight&qid=1634579042&sr=8-218&th=1) (Year: 2019).\*

(21) Appl. No.: **29/740,729**

Egg Lamp LED Mood Night Light. By gertaingrid. Dated Oct. 18, 2021. Found online [Oct. 18, 2021]. <https://www.ebay.com/itm/363412563044?hash=item549d13a464:g:SJkAAOSwV7pgr3MW> (Year: 2021).\*

(22) Filed: **Jul. 7, 2020**

(51) **LOC (13) Cl.** ..... **26-05**

(52) **U.S. Cl.**  
USPC ..... **D26/51; D14/216**

\* cited by examiner

(58) **Field of Classification Search**  
USPC ..... D26/24, 37-52, 93-94, 104-106, 113, D26/118-120; D14/172, 194-195, 204, D14/215-216; D23/366  
CPC ..... F21Y 2115/10; F21Y 2113/13; F21Y 2113/20; F21Y 2101/00; F21Y 2113/00  
See application file for complete search history.

*Primary Examiner* — Marissa J Cash  
*Assistant Examiner* — William B Melliar  
(74) *Attorney, Agent, or Firm* — WPAT, PC

(57) **CLAIM**

The ornamental design for a white noise light, as shown and described.

(56) **References Cited**

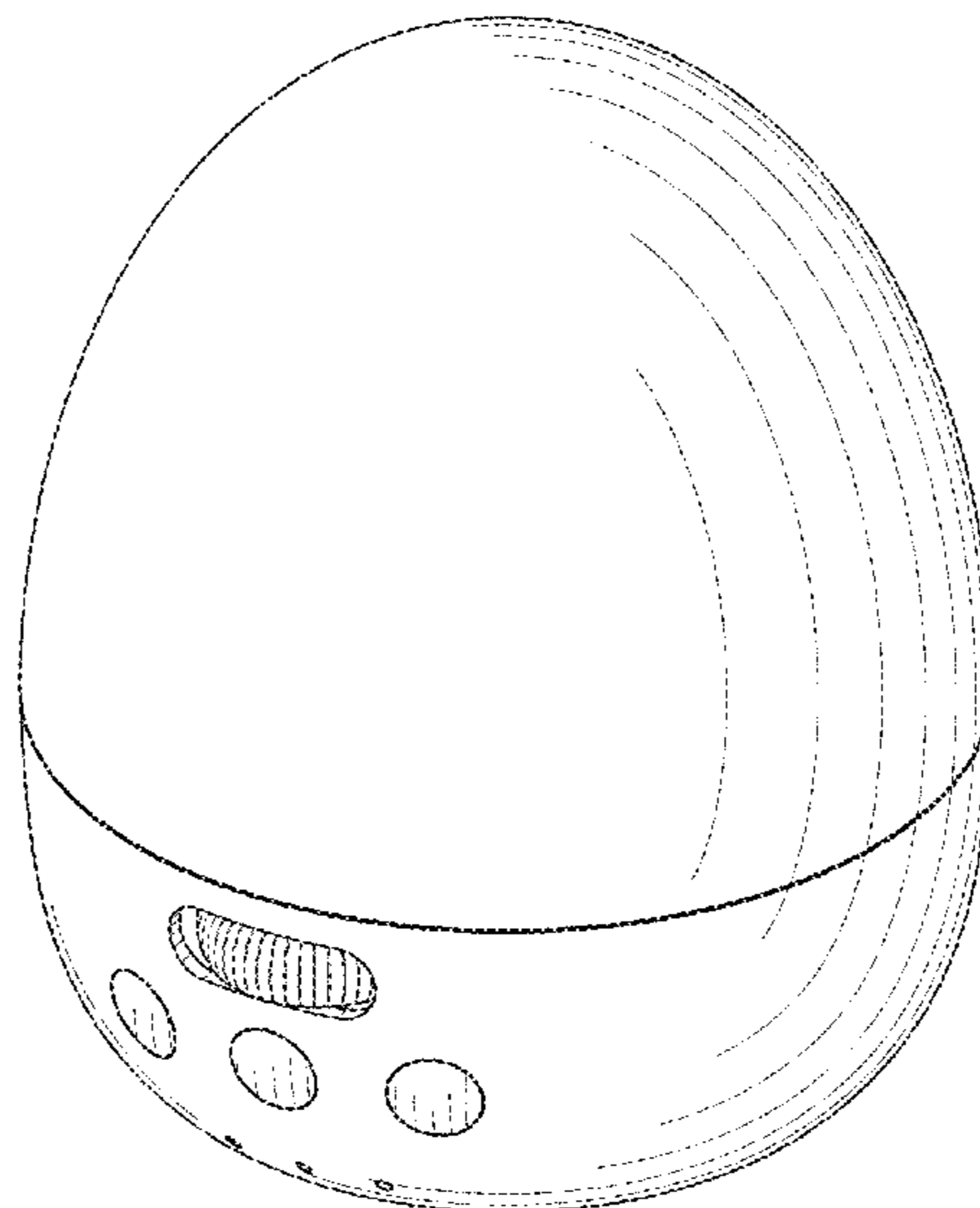
**DESCRIPTION**

U.S. PATENT DOCUMENTS

D298,573 S \* 11/1988 Komamura ..... D26/37  
D411,322 S \* 6/1999 Suzuki ..... D26/37  
D462,475 S \* 9/2002 Wu ..... D26/104  
D464,454 S \* 10/2002 Suzuki ..... D26/40  
D565,766 S \* 4/2008 Shiu ..... D26/40  
D603,374 S \* 11/2009 Peters ..... D14/216  
D605,337 S \* 12/2009 Zhang ..... D26/93  
D669,232 S \* 10/2012 Chung ..... D30/152  
D783,872 S \* 4/2017 Aksnes ..... D26/41  
D815,335 S \* 4/2018 Lin ..... D26/110  
D828,527 S \* 9/2018 Xu ..... D23/356  
D848,051 S \* 5/2019 Huang ..... D26/104

FIG. 1 is a perspective view of a white noise light, showing the new design;  
FIG. 2 is a front view thereof;  
FIG. 3 is a rear view thereof;  
FIG. 4 is a left-side view thereof;  
FIG. 5 is a right-side view thereof;  
FIG. 6 is a top view thereof; and,  
FIG. 7 is a bottom view thereof.  
The broken lines in the drawings depict portions of the white noise light that form no part of the claimed design.

**1 Claim, 7 Drawing Sheets**



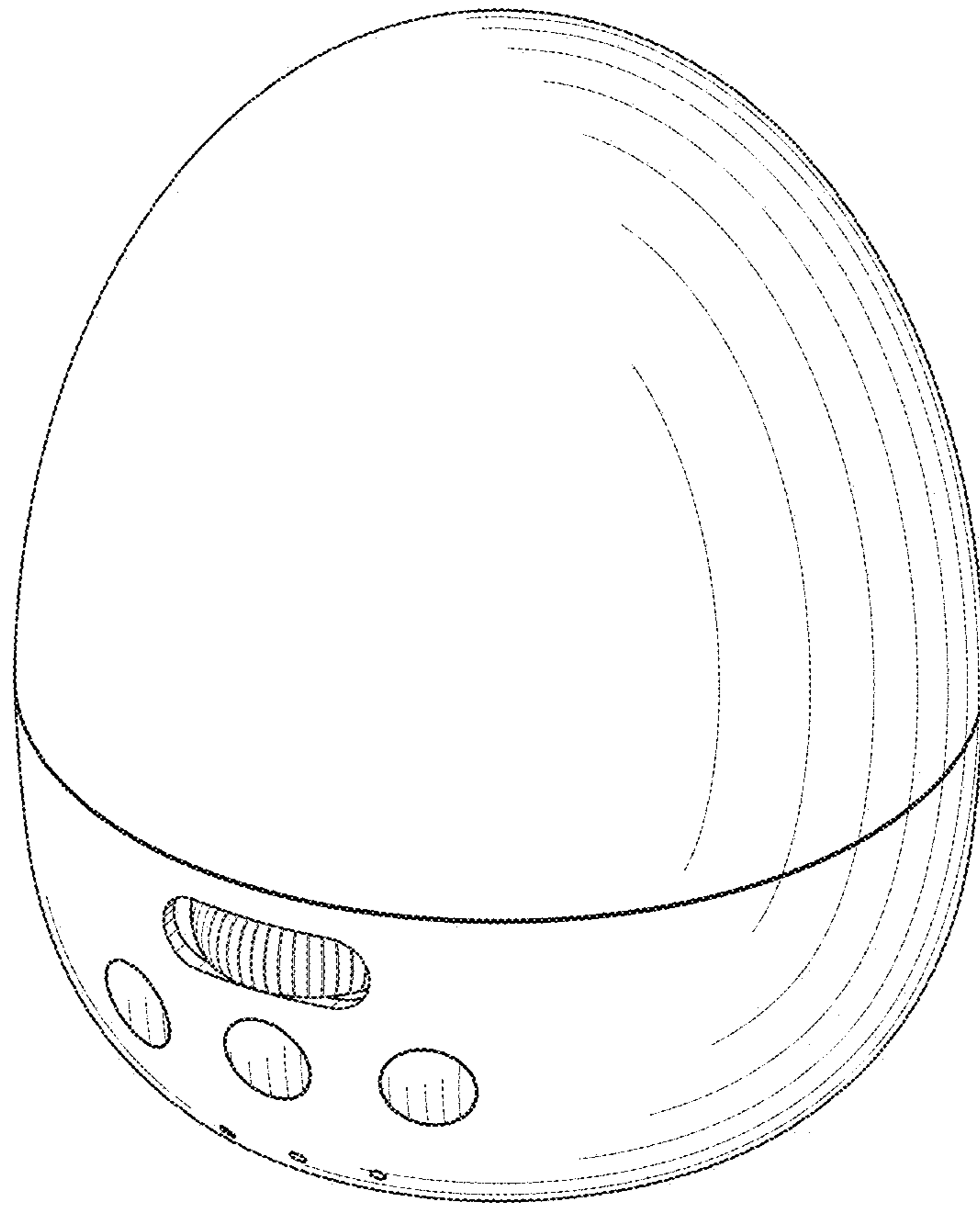


FIG. 1

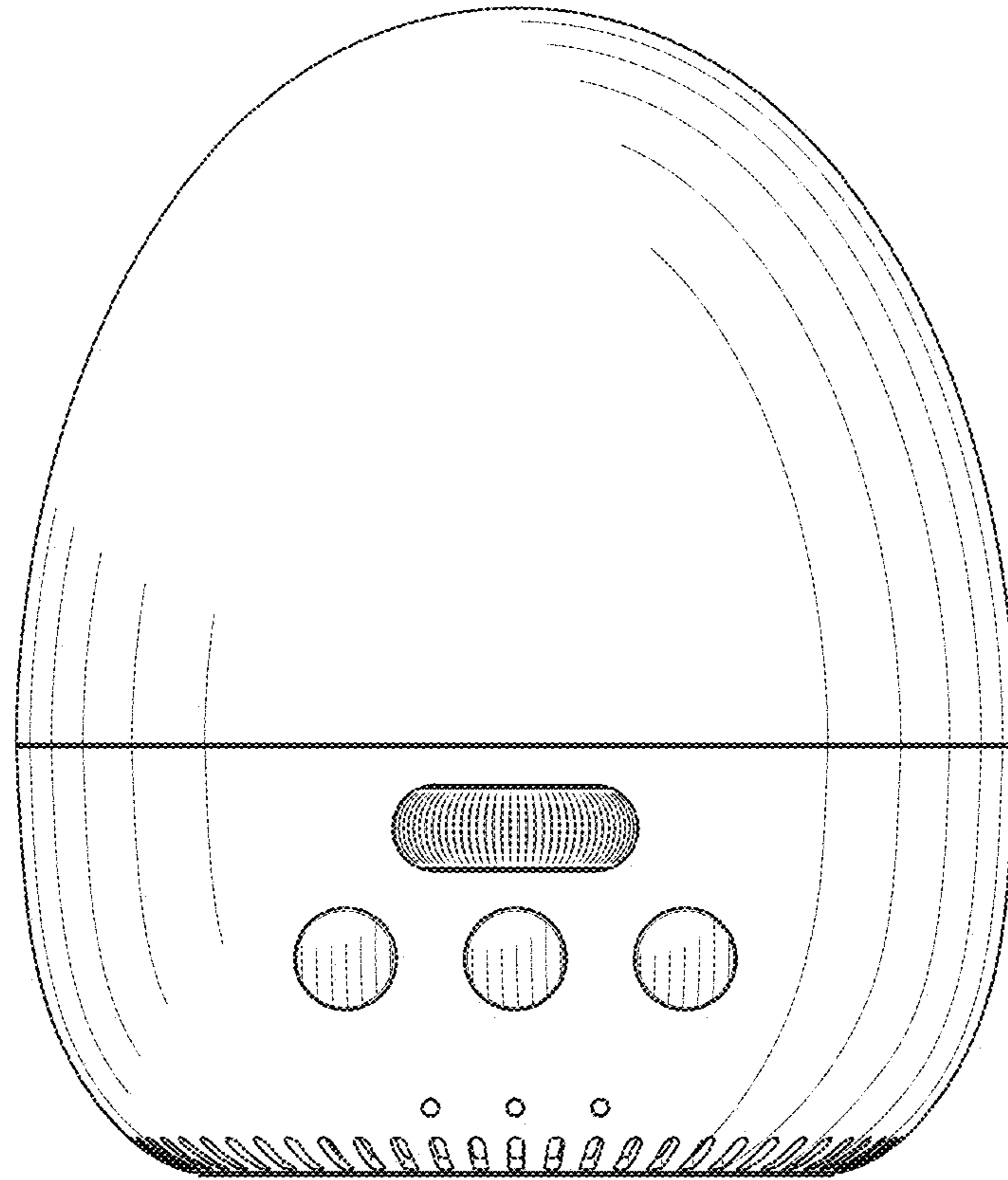


FIG. 2

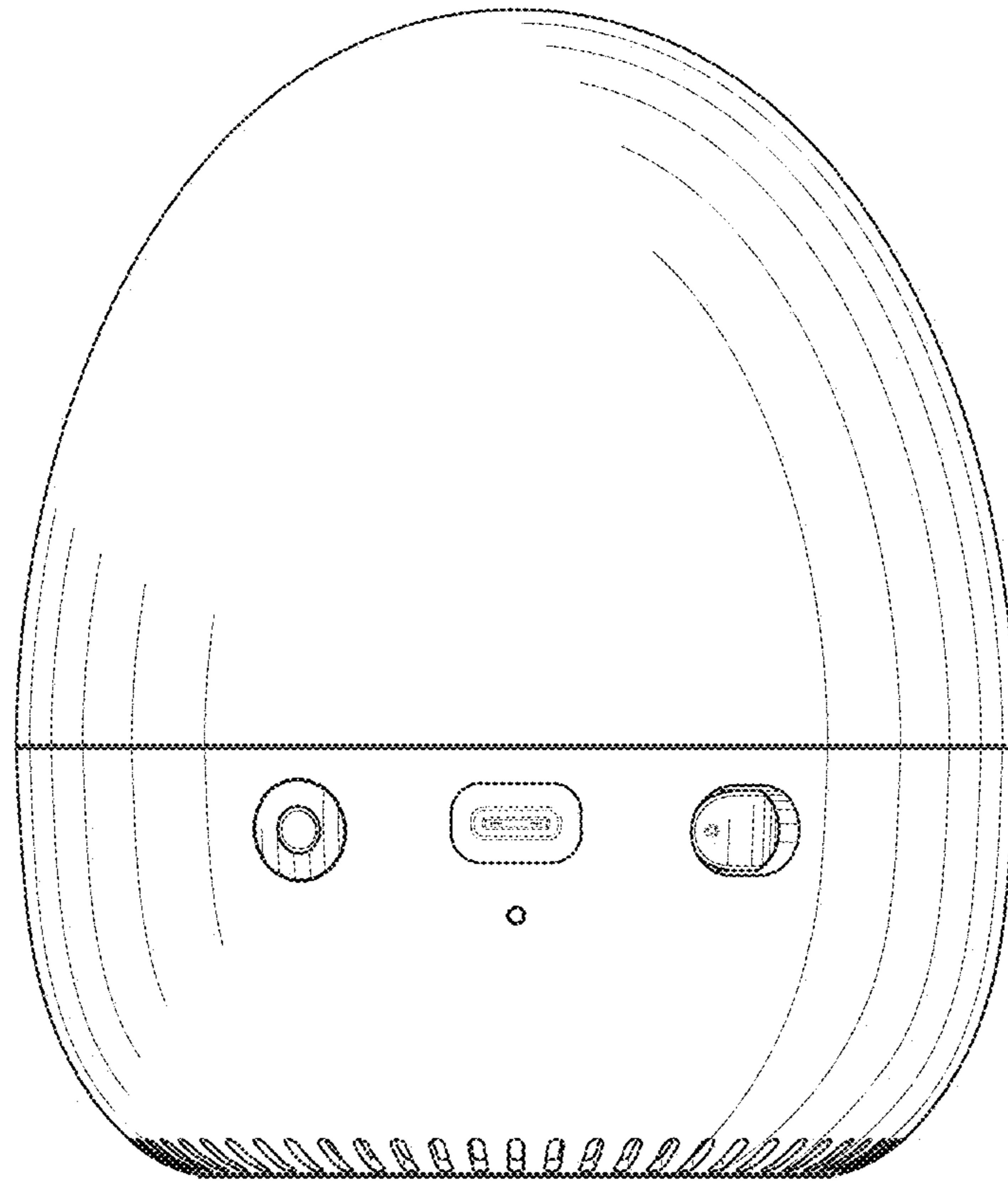


FIG. 3

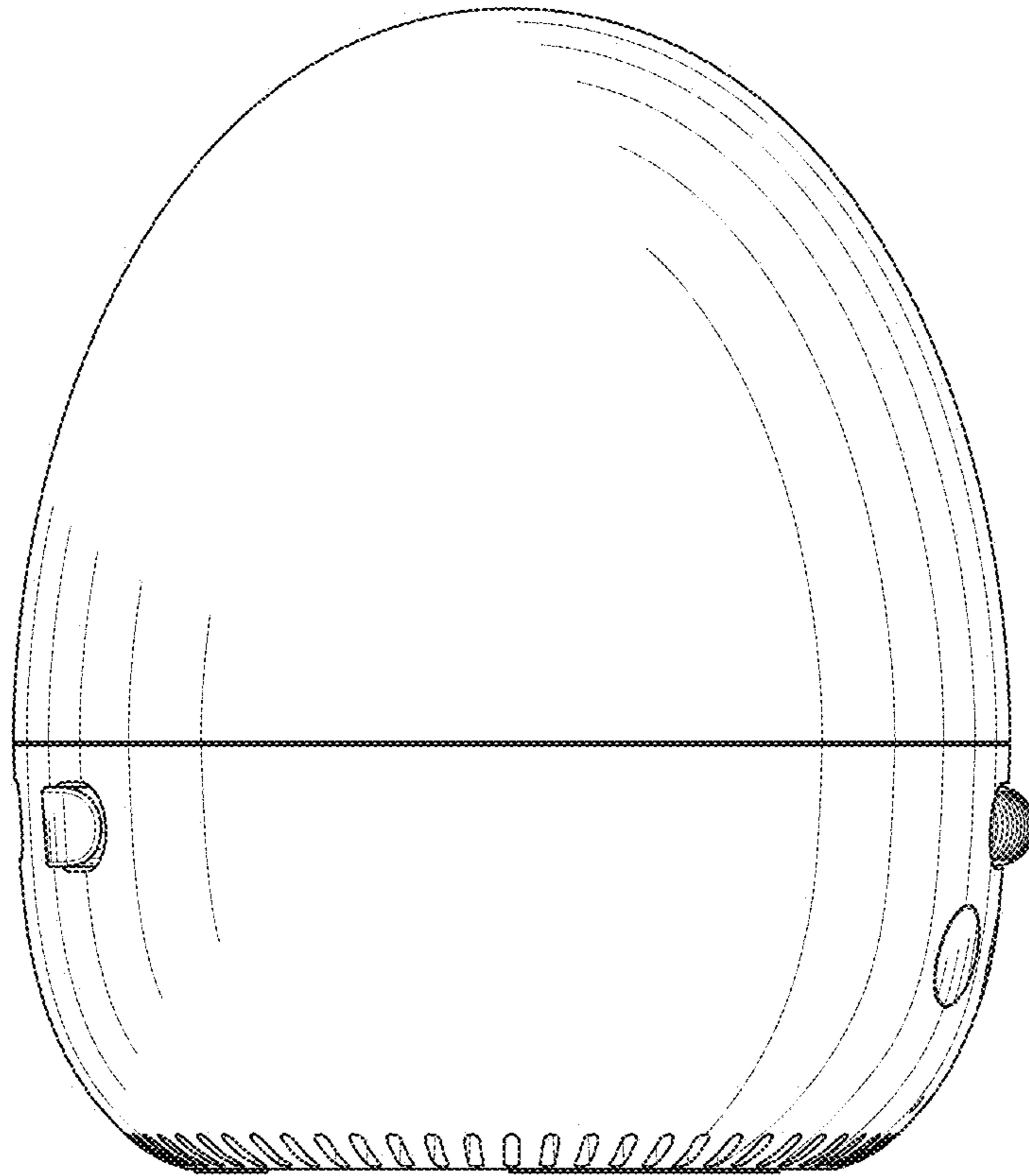


FIG. 4

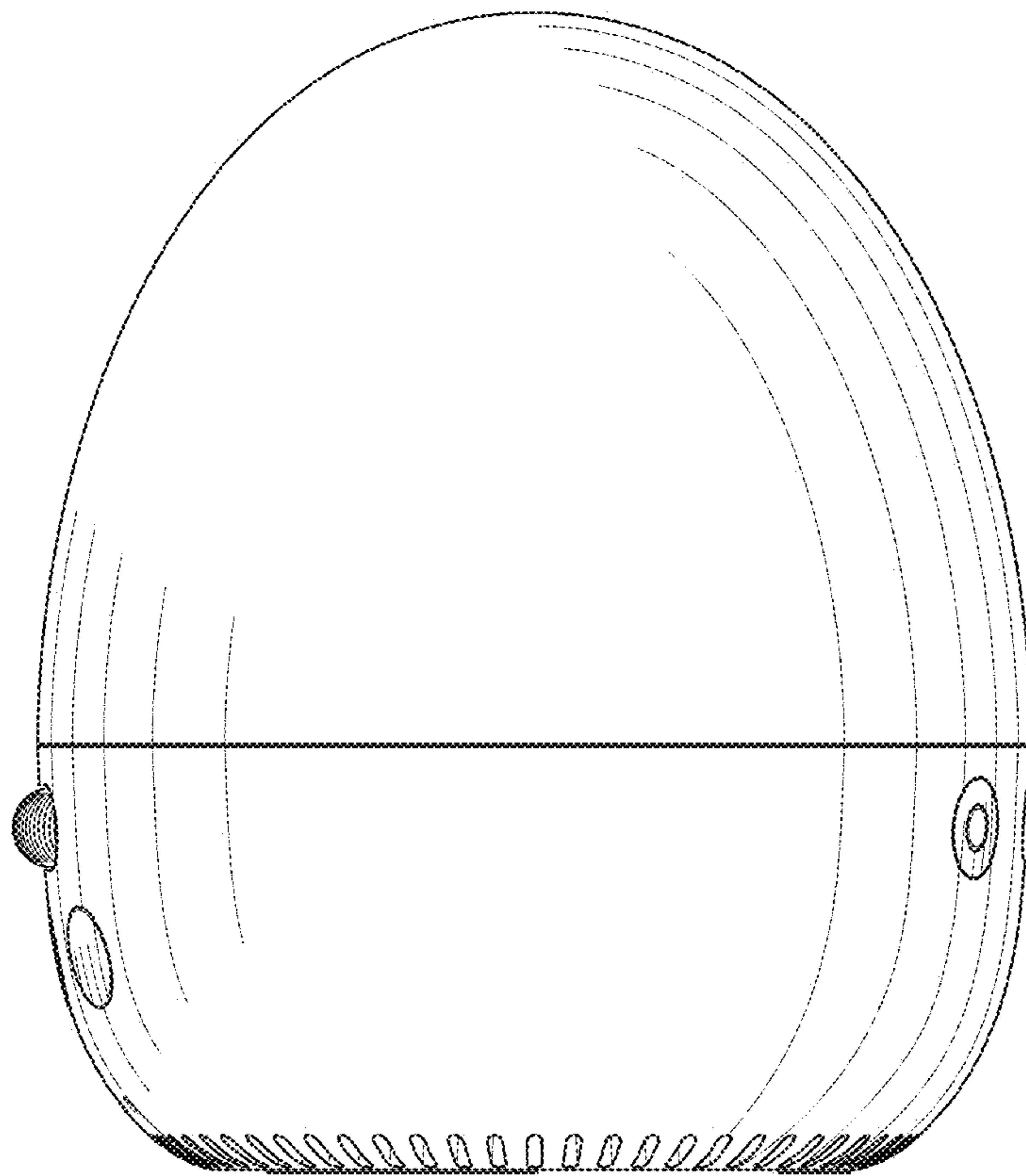


FIG. 5

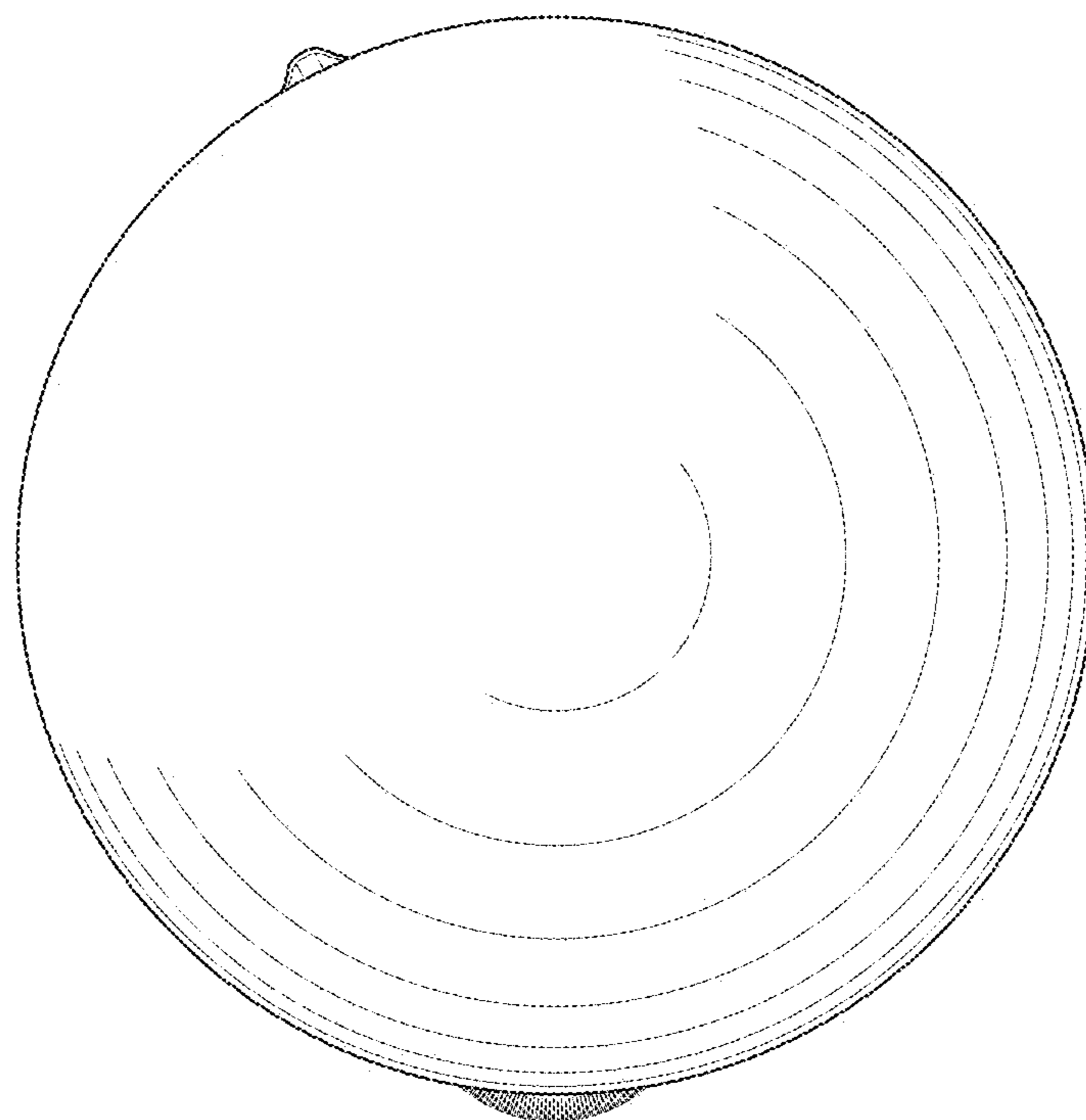


FIG. 6

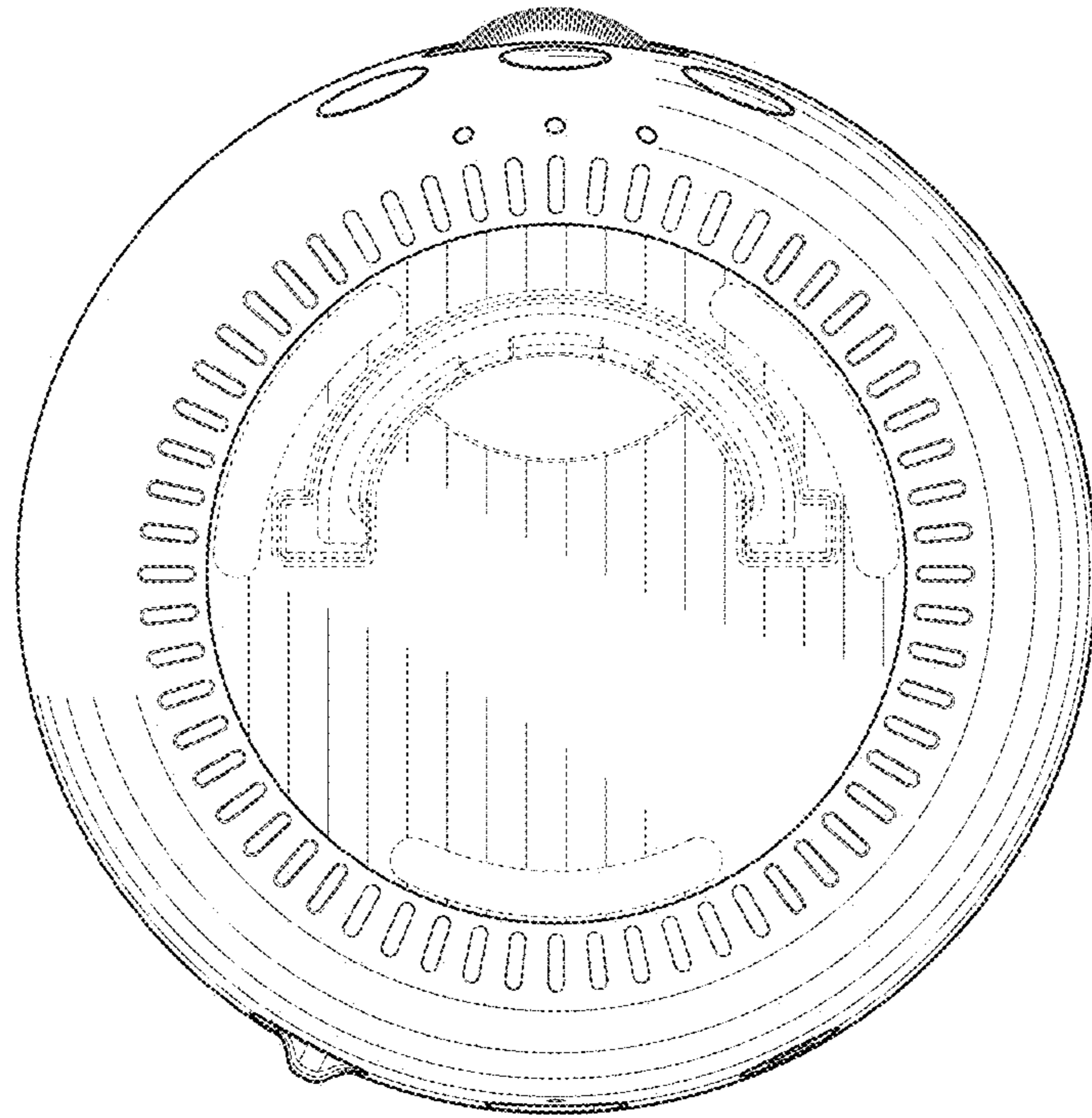


FIG. 7